

# 2003 JEEP WRANGLER (TJ)

## PARTS CATALOG

ILLUSTRATION AND TEXT  
(CHASSIS - BODY - TRIM)

October 2003

**SUPERSEDES**  
August 2003  
ENGLISH



Jeep

CHRYSLER • PLYMOUTH • DODGE • JEEP

**THE MOPAR DIFFERENCE**

## INDEX TO INFORMATION PAGES

The use of this Parts Catalog and the arrangement of information herein is explained in the General Information Section as indexed below.

Abbreviations .....	INF-13
Alphabetic Index .....	INF-10
Body Code Plate Interpretation .....	INF-12
Catalog Groups - Titles & Contents .....	INF-2
How to Use This Catalog and Locate Parts .....	INF-8
Illustration Index .....	INF-10
Illustration Numbering Index .....	INF-9
Index.....	INF-1
Logical Illustration Index.....	INF-3
Logical Illustrations .....	INF-9
Numerical Index .....	INF-10
Page Numbering.....	INF-9
Part Packages .....	INF-10
Standard Parts.....	INF-10
Symbols Used in this Catalog.....	INF-9
VIN Plate Decoding Information .....	INF-11

## CATALOG GROUPS - TITLES & CONTENT

Group	Content
001	Component Parts for Mopar Accessories
002	Front Suspension & Drive
003	Rear Axle
004	Parking Brake
005	Service Brakes
006	Clutch
007	Cooling
008	Electrical
009	Engine Mounting
011	Exhaust
013	Frames and Bumpers
014	Fuel
016	Propeller Shafts and U-Joints
017	Rear Suspension
019	Steering
022	Wheels, Covers and Jacks
024	Air Conditioning & Heater
025	Emission Systems
08A	Instrument Panel and Radios and Consoles
2.4L	Engine 2.4L Four Cylinder
21P	Speedometer Pinions
231	Transfer Case Model 231
23D	Wiper/Lock Cylinder and Keys
241	Transfer Case Model 241
3550	Manual Transmission 5 Speed
4.0L	Engine 4.0L Six Cylinder
42RLE	Automatic Transaxle 4 Speed
DTJ	Doors and Related Parts
ETJ	Exterior Ornamentation
ITJ	Interior Trim
LBLS	Labels All Vehicle Locations
NV2550	Manual Transmission 5 Speed
STJ	Body Sheet Metal Except Doors

## LOGICAL ILLUSTRATION INDEX

Group	Logical Illustration	Logical Illustration Name
001	100	Audio & Electronics
001	200	Carriers & Cargo Hauling
001	300	Driving Convenience
001	400	Exterior Appearance
001	500	Exterior Protection
001	600	Fog Lights & Electrical
001	700	Tomb Raider Edition
001	800	Interior Storage
001	900	Security
002	100	Front Suspension
002	200	Front Axle Drive Shafts
002	300	Front Axle Housing
002	400	Front Axle Assembly
002	600	Front Axle Differential
003	100	Rear Axle
003	200	Differential and Housing
003	400	Rear Axle Shafts
004	100	Parking Brake Lever and Cables
005	100	Front Brakes
005	200	Rear Brakes
005	300	Power Brake Booster
005	400	Brake Master Cylinder
005	500	Brake Lines and Hoses
005	600	Brake Pedals
006	100	Clutch
006	200	Clutch Housing
006	300	Clutch Controls
006	400	Clutch Pedals
007	100	Radiator and Related Parts
007	200	Water Pump and Related Parts
007	300	Tank, Coolant Engine
007	400	Pulleys and Related Parts
007	500	Drive Belts

007	600	Lines, Transmission Oil Cooler
007	700	Grilles
008	100	Starters
008	1000	Battery Tray and Cables
008	1100	Lamps - Front, Rear and Courtesy
008	1200	Wiring-Engine & Related Parts
008	1300	Wiring-Headlamp to Dash
008	1400	Wiring-Instrument Panel
008	1500	Wiring-Body & Accessories
008	1600	Wiring Repair
008	1900	Spark Plugs-Cables-Coils
008	200	Alternators
008	400	Modules
008	500	Relays
008	600	Sensors
008	700	Single Board Engine Controllers
008	800	Switches
008	900	Horns
009	100	Engine Mounting
011	100	Exhaust System
011	200	Heat Shields
013	100	Frames
013	200	Front Bumper and Fascia
013	300	Rear Bumper and Fascia
013	500	Body Hold Down
014	100	Tank, Fuel
014	1000	Speed Control
014	1100	Accelerator Pedal
014	200	Fuel Tank Filler Tube
014	300	Fuel Lines
014	400	Fuel Rail
014	500	Fuel Pump and Sending Unit
014	600	Throttle Body
014	700	Throttle Controls
014	800	Air Cleaner
016	100	Propeller Shaft

017	100	Rear Suspension
017	200	Rear Stabilizer
019	100	Steering Wheel
019	200	Steering Column
019	300	Steering Gear
019	400	Steering Linkage
019	500	Power Steering Pump
019	700	Power Steering Hoses
022	100	Wheels and Hardware
022	200	Wheel Covers and Center Caps
022	300	Jack Stowage
022	400	Spare Tire Stowage
024	100	Air Conditioner and Heater Units
024	200	Air Conditioner and Heater Plumbing
024	300	Air Conditioner and Heater Controls
024	400	Air Conditioning Compressor
024	600	Air Ducts and Outlets
025	300	Vacuum Canister
025	400	Emission Harness
08A	100	Instrument Panel
08A	200	Instrument Panel Cluster
08A	300	Radio, Antenna, and Speakers
08A	400	Consoles
2.4L	200	Cylinder Head
2.4L	300	Cylinder Block
2.4L	400	Crankshaft, Piston, and Drive Plate
2.4L	500	Camshafts and Valves
2.4L	600	Timing Belt and Cover
2.4L	700	Engine Oiling
2.4L	800	Manifolds
2.4L	900	Crankcase Ventilation
21P	100	Speedometer Pinions
231	100	Transfer Case Assembly
231	1200	Gearshift Controls
231	200	Case and Related Parts
231	400	Gear Train

231	900	Fork and Rails
23D	100	Lock Cylinders and Keys
23D	200	Windshield Wiper and Washer Systems
23D	300	Rear Wiper and Washer System
241	100	Transfer Case Assembly
241	1200	Gearshift Controls
241	200	Case and Related Parts
241	400	Gear Train
241	900	Fork and Rails
3550	100	Transmission Assembly
3550	1200	Gearshift Controls
3550	200	Case and Extension
3550	400	Gear Train
3550	900	Fork and Rails
4.0L	200	Cylinder Head
4.0L	300	Cylinder Block
4.0L	400	Crankshaft, Piston and Torque Converter
4.0L	500	Camshafts & Valves
4.0L	600	Timing Belt and Cover
4.0L	700	Engine Oiling
4.0L	800	Manifolds
4.0L	900	Crankcase Ventilation
42RLE	100	Transaxle Assembly
42RLE	1200	Gearshift Controls
42RLE	200	Case and Extension
42RLE	300	Oil Pump
42RLE	400	Gear Train
42RLE	700	Valve Body
DTJ	100	Front Door
DTJ	500	Exterior Mirror
DTJ	600	Weatherstrips and Seals
ETJ	200	Moldings and Ornamentation
ETJ	300	Decals and Tapestripes
ITJ	100	Headliner and Visor
ITJ	200	Moldings, Scuff Plates
ITJ	300	Carpet

ITJ	400	Door Trim Panels- Front and Sliding
ITJ	500	Front Seats and Attaching Parts
ITJ	600	Rear Seats and Attaching Parts
ITJ	700	Seat Belts-Front and Rear
ITJ	800	Adjusters, Covers, Shields, and Risers
LBSL	100	Interior
LBSL	200	Under Hood
LBSL	300	Doors
LBSL	400	Exterior
NV2550	100	Transmission Assembly
NV2550	1200	Gearshift Controls
NV2550	200	Case and Extension
NV2550	400	Gear Train
NV2550	900	Fork and Rails
STJ	1100	Roof - Hard & Soft Top
STJ	1300	Tailgate
STJ	1600	Luggage Rack
STJ	200	Floor Pans
STJ	300	Plugs
STJ	400	Front Fenders
STJ	500	Hood and Hood Release
STJ	600	Cowl and Dash Panel
STJ	700	Glass and Rear View Mirror
STJ	800	Aperture Panel

## HOW TO USE THIS CATALOG AND LOCATE PARTS

**This Catalog is divided into Part Groups in which illustrations for parts of a similar function and/or location are published. The Group contents listing on the next page shows the type of parts contained in each group. Tabs are provided or available to separate each group.**

Several methods may be used to locate a specific part:

Option 1: From the Group Contents listing. Select the group which would most logically contain the part to be found. Open the catalog to the beginning of that group. The first page of the group will contain the part. Turn to the selected illustration and locate the part by reviewing the illustration item numbers and associated text information following the illustration.

Option 2: If the "noun" name of the part you seek is known, an alphabetical index of Nouns and illustration titles is provided to assist in finding the part. Several keys may be found in this index.

RESERVOIR, Power Steering Oil Pump Group	19	Group Reference
ALTERNATOR All Engines	8-210	Illustration Reference
BELT, Front Seat	Imdl/710/3	Illustration/Item Reference

Group by Model	_____	}
Illustration Number	_____	
Item	_____	

Option 3: If the part number is known but the applications need to be determined, refer to the numerical index. This index shows the group, illustration number and each part listed in the catalog. Multiple references mean the part is listed more than once.

Option 4: Other options such as group identifiers exist in these catalogs. For Example, Group 23 Body has been broken in sections, i.e. 23A Sheet Metal now is S(model code). Example: SGS for model GS. Group 23C Doors now is D(model code) ex. DGS. Group 23 Exterior Ornamentation now is E(model code). This same logic applies to the Interior Trim Section (ex. IGS).

The Group 9 Engine sections in prior parts catalogs had been numbered 9A, 9B, 9C, etc. There was no real meaning to this numbering scheme. In this new MACS produced catalog the group numbering scheme is as follows: 2.5LD means 2.5 Liter Diesel Engine; 2.0L means 2.0 Liter Four Cylinder Gas Engine; 3.3L6T means 3.3 Liter Six Cylinder Transverse Mounted Engine; and 3.8L means 3.8 Liter Six Cylinder Engine. Also note that Engine Mounting parts are located in Group 9.

## PAGE NUMBERING

Two-part page numbers are used throughout this catalog. The first part of the page designation indicates one major group or section. The second part indicates the actual page number in the group. For example:

2-1 indicates Group 2, Front Suspension, Page 1  
3-4 indicates Group 3, Axle Rear, Page 4

In the maintenance of the Loose Leaf Parts Catalog Revision Service, it may become necessary to add information beyond the capacity of the page. In this event, an "A" page will be used. For example, if it becomes necessary, because of change, to add several part numbers to page 2-1 and space does not permit the addition, you will be given Page 2-1A. Page 2-1A should be filed immediately following Page 2-1.

Figure and Item Numbers are also commonly used to identify locations in the Catalog, i.e., 14-910/8 refers to Group 14, illustration 910, Item Number 8. Illustration Numbers are always ascending sequential within the Groups.

## SYMBOLS USED IN THIS CATALOG

The Following symbols are commonly used with Part Number and Quantity information in this Catalog:

AR - Indicates the quantity required may vary or is to be determined by the user.

PAR - Indicates "Paint As Required"

BLANK - Indicates "All Condition"

- = "Not Illustrated"

## LOGICAL ILLUSTRATIONS

Refer to Illustration in front of each group. This will give assistance to as how each group is broken down and what Specific Illustration should be referenced.

## ILLUSTRATION NUMBERING INDEX

Illustration numbers in this Catalog are Group standards. This indicates group and consistent content. EXAMPLE: 8-100 is a Logical Illustration for Starters. 8-101 to 8-199 are Specific Illustrations used for Starters for all Catalogs. 8-200 will contain Alternators for all Catalogs and so on. Always refer to group index in front of each group.

## ILLUSTRATION INDEX

This index is a compilation of catalog parts description data with reference to illustrations, figures and key numbers as shown:

Fender ie; Model.....Group: S(Model) .....Illustration 410  
(Fender is located in Sheet Metal Section (S) in Illustration 410)

The first page of each group contains a listing of all illustrations and group breakdown within that group. Also refer to illustrations alphabetically listed in information section.

## ALPHABETIC INDEX

This index is a compilation of catalog parts description data with a reference to the location of the item by Group, Figure, and Key Number as shown in the following example:

Housing, w/Pump.....Group 7 Illustration 210 Item 10  
(Housing, w/Pump.....7-210/10)

The index will be expanded progressively as data is added to computer files. To locate a part by name refer to the Alphabetical Index. This index indicates the group and illustration and item number where the part is located. Alphabetical Index can be found in INF section of this Catalog.

## NUMERICAL INDEX

A listing of Part Numbers contained in the catalog. The numbers are in numerical sequence with reference to the group and Illustration and item number where the part is located.

## PARTS PACKAGES

Service Parts Packages, containing all parts needed for specific service operation, are listed in their respective groups with related parts. The listing will show adapability and model application.

## STANDARD PARTS

Important attaching standard parts such as bolts, nuts, etc, are generally listed in the text of the respective major parts groups.

## VIN PLATE DECODING INFORMATION

<b>1</b>	<b>2</b>	<b>3</b>	<b>4</b>	<b>5</b>	<b>6</b>	<b>7</b>	<b>8</b>	<b>9</b>	<b>10</b>	<b>11</b>	<b>12 thru 17</b>
Country	Make	Vehicle Type	Other	Line	Series	Body Style	Engine	Check Digit	Model Year	Assy. Plant	Sequence No.

The following table interprets the VIN Plate positions shown above.

Position	Interpretation	Codes = Description
1	Country of Origin	1 = U S
2	Make	J = Jeep
3	Vehicle type	4 = Multipurpose Passenger Vehicle
4	GVWR & Pass Safety	D=0-1360 kg (0-3000 lbs) E=1361-1814 kg (3001-4000 lbs) F=1815-2267 kg (4001-5000 lbs)
5	Vehicle Line	A = Wrangler 4x4 Left Hand Drive 4 = Wrangler 4x4 Right Hand Drive
6	Series	2 = Wrangler SE 3 = Wrangler X 4 = Wrangler Sport 5 = Wrangler Sahara 6 = Wrangler Rubicon
7	Body Style	9 = Open Body (77)
8	Engine	1 = 2.4L V4 DOHC (ED1) S = 4.0L V6 (ERH)
9	Check Digit	
10	Model Year	3 = 2003
11	Assembly Plant	P = Toledo #2
12 thru 17	Vehicle Build Sequence	Model Year Assembly Sequence

## BODY CODE PLATE INTERPRETATION

The Body Code Plate is located on the Left Front Side Shield or Wheel Housing or the Upper Radiator Support. The Plate contains 7 rows of data. The bottom 3 rows are reserved for the specific information as depicted below. Starting at the fourth row (following the reserved portion), other Sales Codes used to build a specific vehicle are listed in the ascending order by ALPHA sequence.

1	2	3	4	5	6	7	8	9	10	11	12	13	14	15	16	17	18	19	20	21
22	23	24	25	26	27	28	29	30	31	32	33	34	35	36	37	38	39			
40	41	42	43	44	45	46	47	48	49	50	51	52	53	54	55	56	57	58	59	60

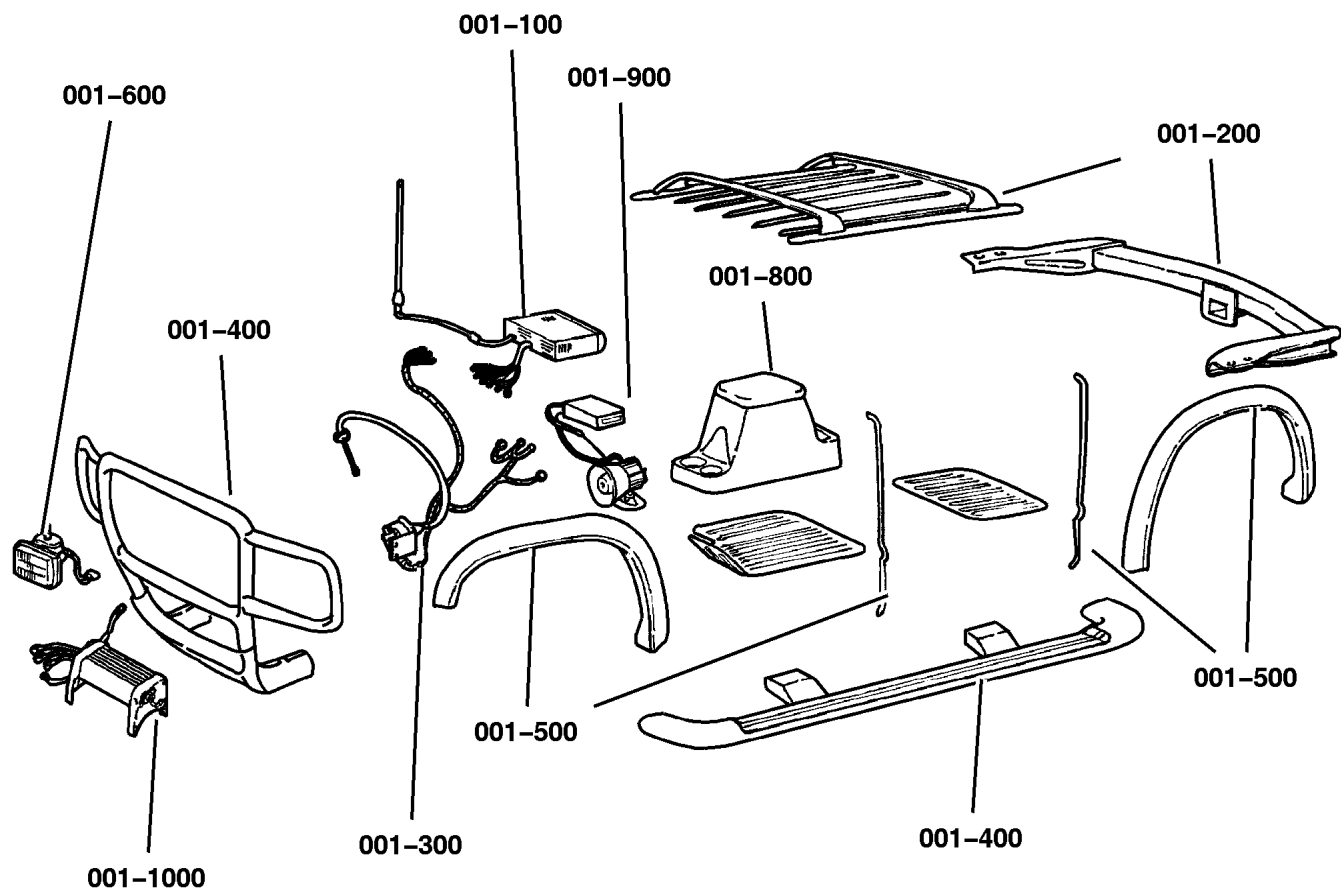
1-12	VEHICLE ORDER NUMBER
13-15	VINYL ROOF CODE/DOOR COMBO CODES
16-18	VEHICLE SHELL CAR LINE
19	PRICE CLASS
20-21	BODY TYPE
22-24	PAINT PROCEDURE
25-28	PRIMARY PAINT
29-32	SECONDARY PAINT
33-36	INTERIOR TRIM CODE
37-39	ENGINE CODES
40-42	TRANSMISSION CODES
43	MARKET CODES
44-46	VEHICLE IDENTIFICATION NUMBER (VIN) For definition of the Elements and the individual position see Vin Plate Defined.

## ABBREVIATIONS

A/C	Air Conditioner
ABS	Anti-Lock Brakes System
AR	As Required
ATC	Automatic Temperature Control
AWD	All Wheel Drive
BUX	Built Up Export
CV	Constant Velocity
DOHC	Dual (or Double) OverHead Cam
EFI	Electronic Fuel Injection
EGR	Exhaust Gas Recirculation
ECU	Electronic Control Unit
FWD	Front Wheel Drive
HEX	HEXagon
HCU	Hydraulic Control Unit
I/D	Inside Diameter
L	Liter
LED	Light Emitting Diode
MAP	Manifold Absolute Pressure
MPH	Miles Per Hour
O/D	Outside Diameter
P/S	Power Steering
PSI	Pounds per Square Inch
PSF	Pounds per Square Foot
PRNODL	Park, Reverse, Neutral, Overdrive, Drive, Low
PRNDL	Park, Reverse, Neutral, Drive, Low
PTO	Power Take Off
RFI	Radio Frequency Interference
RPM	Revolutions Per Minute
RTV	Room Temperature Vulcanizer (sealant)
T/BODY	Throttle BODY
U/BODY	Under BODY
SOHC	Single OverHead Cam
PAR	Paint As Required

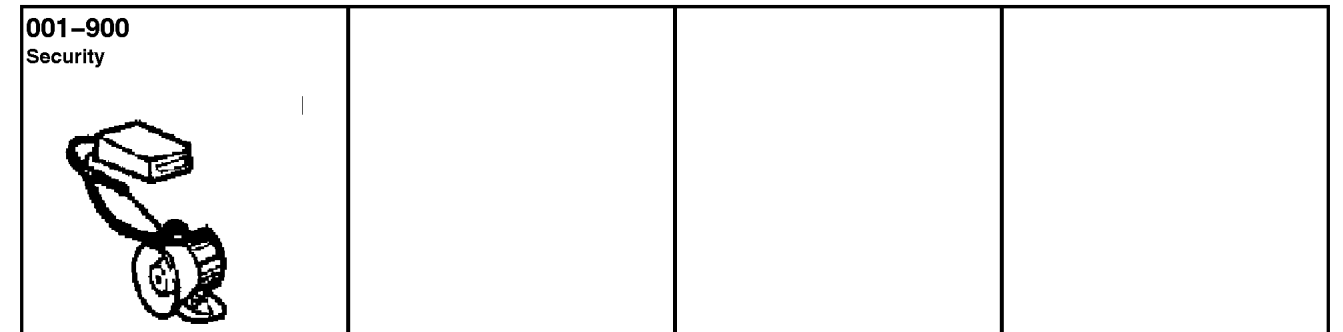
# Group – 001

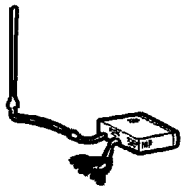

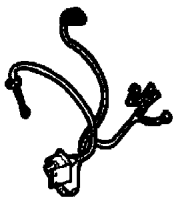
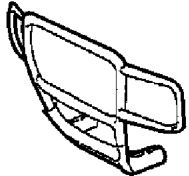
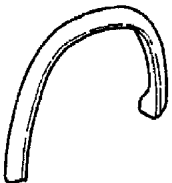
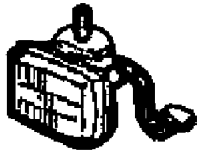
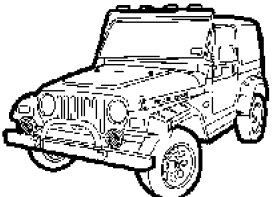

## Component Parts for Mopar Accessories



# Group – 001

## Component Parts for Mopar Accessories



<b>001-100</b> Audio & Electronics 	<b>001-200</b> Carriers & Cargo Hauling 	<b>001-300</b> Driving Convenience 	<b>001-400</b> Exterior Appearance 
<b>001-500</b> Exterior Protection 	<b>001-600</b> Fog Lights & Electrical 	<b>001-700</b> Tomb Raider Edition 	<b>001-800</b> Interior Storage 

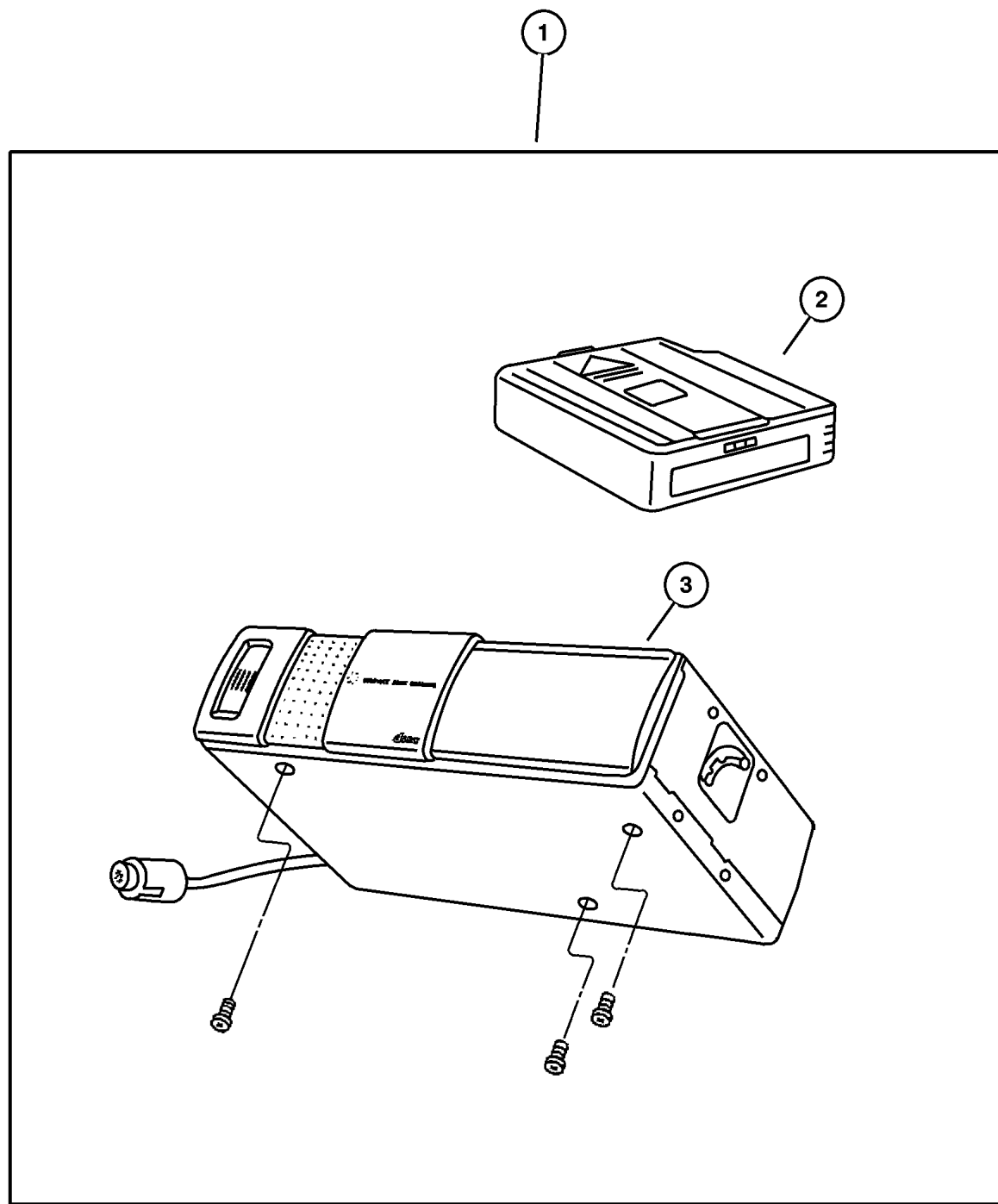


---

## GROUP 1 - Component Parts for Mopar Accessories

Illustration Title	Group-Fig. No.
<b>Audio &amp; Electronics</b>	
Player Kit - CD - Changher - 6 Disc .....	Fig. 001-110
<b>Carriers &amp; Cargo Hauling</b>	
Bike Carrier - Hitch Mount 2 Bikes .....	Fig. 001-220
Bike Carrier - Spare Tire Mount .....	Fig. 001-222
Ski Carrier - Spare Tire Mount .....	Fig. 001-232
Trailer Tow - Receiver Kit .....	Fig. 001-250
<b>Driving Convenience</b>	
Speed Control Kit .....	Fig. 001-310
Top Kit - Soft Hardtop Replacement .....	Fig. 001-320
<b>Exterior Appearance</b>	
Bumper Kit- Front Tubular .....	Fig. 001-410
Bumper Kit - Rear Tubular .....	Fig. 001-420
Extension Kit - Bumper Front .....	Fig. 001-430
Side Step Kit .....	Fig. 001-440
<b>Exterior Protection</b>	
Shield Kit - Air Front .....	Fig. 001-510
Hardtop Wiring Kit .....	Fig. 001-550
<b>Fog Lights &amp; Electrical</b>	
Light Kit - Fog .....	Fig. 001-610
Light Kit - Off Road .....	Fig. 001-620
Bar Kit - Light Windshield .....	Fig. 001-630
Installation Package - Lights Off Road .....	Fig. 001-640
Heater Kit - Engine Block .....	Fig. 001-650
<b>Tomb Raider Edition</b>	
Tomb Raider Edition .....	Fig. 001-710
<b>Interior Storage</b>	
Console Kit - Floor .....	Fig. 001-820
<b>Security</b>	
Alarm - EVS Base System .....	Fig. 001-910

Player Kit - CD - Changer - 6 Disc  
Figure 001-110



ITEM	PART NUMBER	QTY	LINE	SERIES	BODY	ENGINE	TRANS	TRIM	DESCRIPTION
1	8220 7483	1							PLAYER KIT, CD Changer - 6 Disc
2	4797 433	1							MAGAZINE, CD Changer
3									CHANGER, CD, (NOT SERVICED) (Not Serviced)

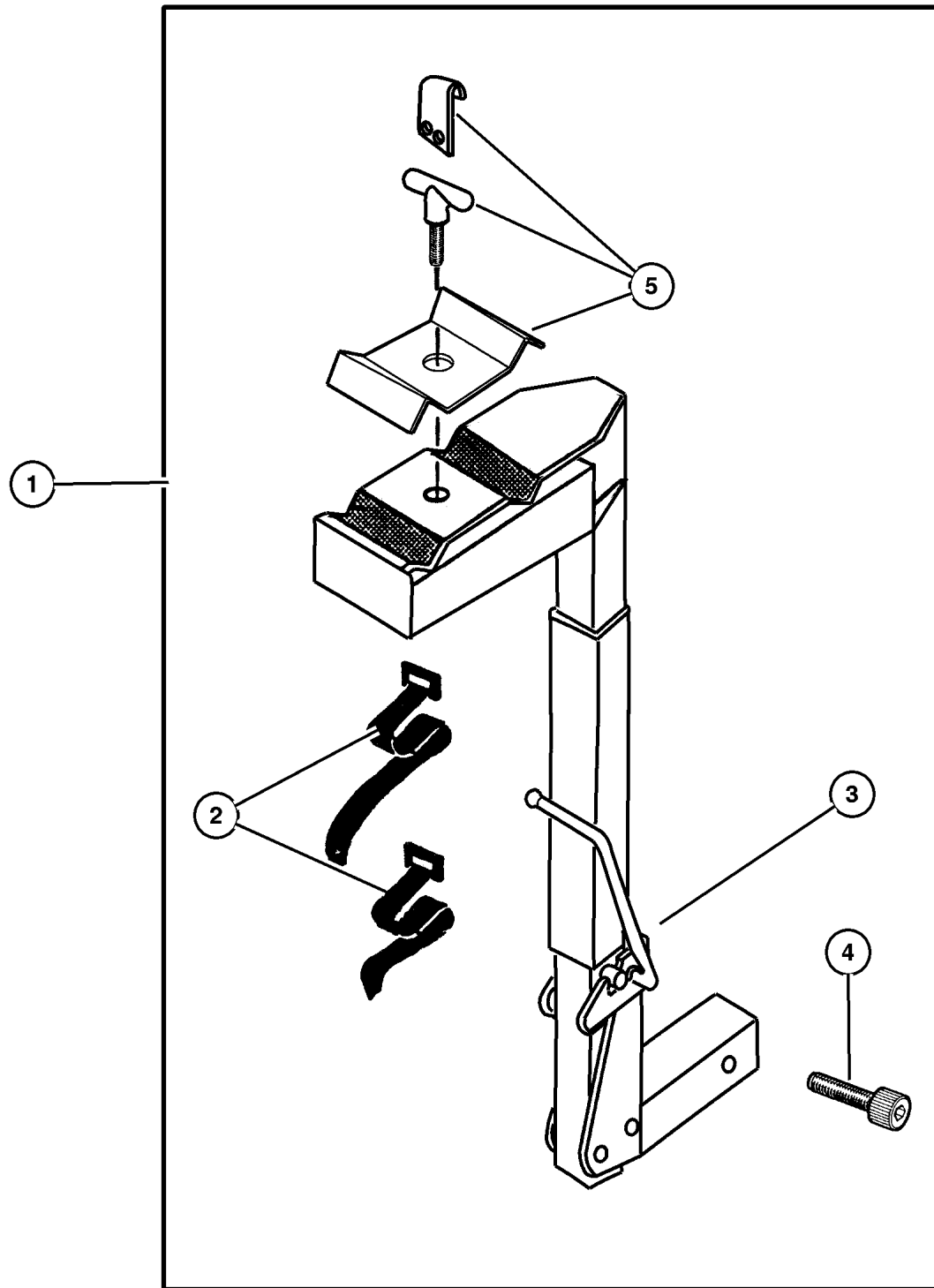
<b>JEEP WRANGLER (TJ)</b>				
SERIES	LINE	BODY	ENGINE	TRANSMISSION
H = Sport	J = Wrangler 4WD	77 = 93.4 WB	ED1, ED0 = 2.4L DOHC	DGG, DGD = 32RH 3 Spd Auto
L = SE	U = Wrangler 4WD (RHD)		ERH = 4.0L Power Tech	DDD = 5 Speed HD Manual
M = X				DG0 = Auto. Trans.
P = Sahara				DBB = Manual Trans.
S = Rubicon				DDK = 5 Speed Manual

AR = Use as required - = Non illustrated part # = New this model year

September 29, 2003

**Bike Carrier - Hitch Mount 2 Bikes**  
**Figure 001-220**

ITEM	PART NUMBER	QTY	LINE	SERIES	BODY	ENGINE	TRANS	TRIM	DESCRIPTION
NOTE: Folds down for access to rear deck, has anti theft bolts.									
1	8220 4452	1	J		77				CARRIER KIT, Bike, 1.25 inch Receiver
2	4762 880	1	J		77				STRAP KIT, Velcro, Contains: 1-Long and 1-Short Strap
3	5016 775AA	1	J		77				STRAP KIT, Bike Carrier Latch, Contains: 2-Rubber Straps
4	5016 774AA	1	J		77				BOLT KIT, Security
5	5018 825AA	1	J		77				HARDWARE KIT, Bike Carrier



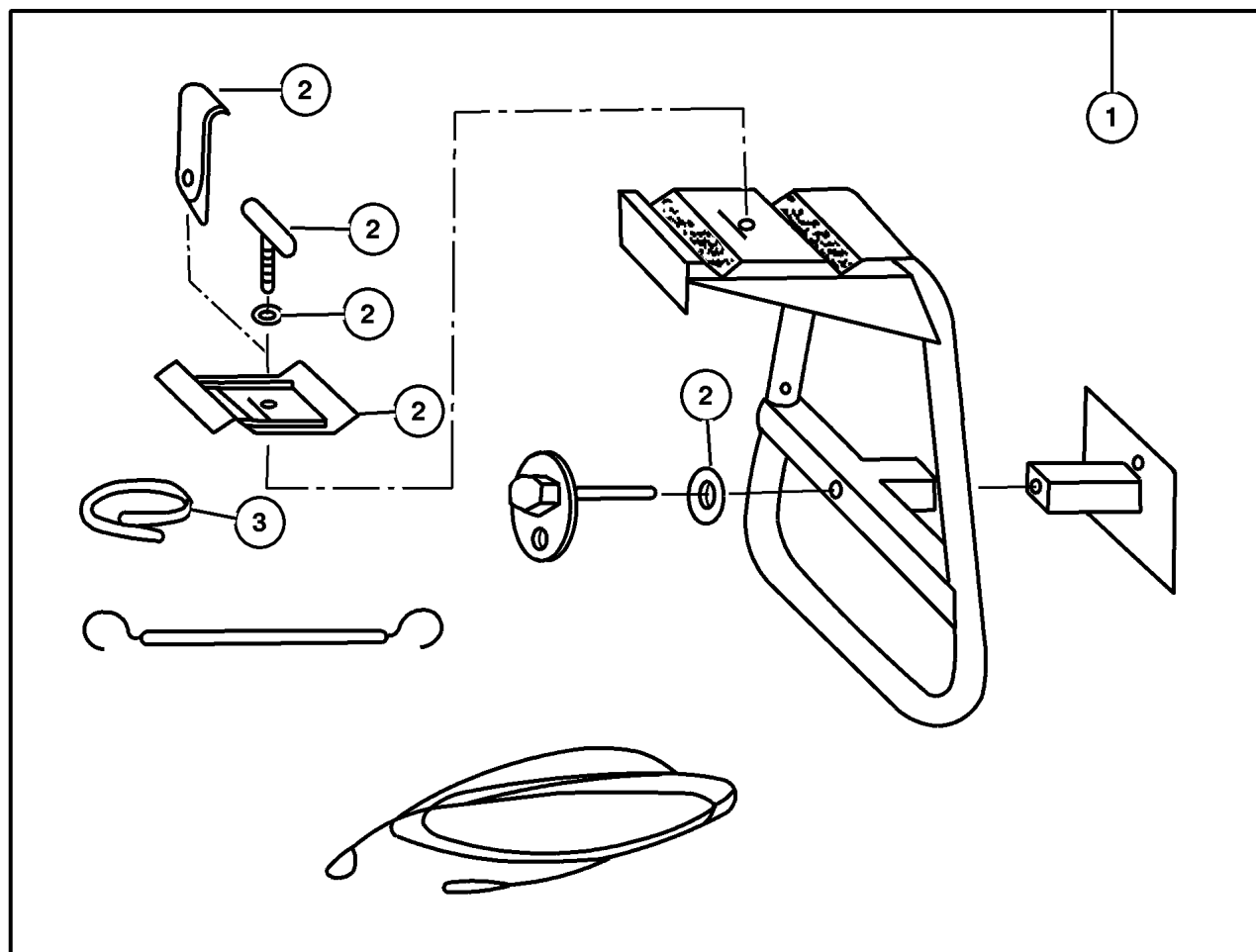
<b>JEEP WRANGLER (TJ)</b>				
SERIES	LINE	BODY	ENGINE	TRANSMISSION
H = Sport	J = Wrangler 4WD	77 = 93.4 WB	ED1, ED0 = 2.4L DOHC	DGG, DGD = 32RH 3 Spd Auto
L = SE	U = Wrangler 4WD (RHD)		ERH = 4.0L Power Tech	DDD = 5 Speed HD Manual
M = X				DG0 = Auto. Trans.
P = Sahara				DBB = Manual Trans.
S = Rubicon				DDK = 5 Speed Manual

AR = Use as required - = Non illustrated part # = New this model year

September 29, 2003

**Bike Carrier - Spare Tire Mount**  
**Figure 001-222**

ITEM	PART NUMBER	QTY	LINE	SERIES	BODY	ENGINE	TRANS	TRIM	DESCRIPTION
NOTE: Mounts to Spare Tire - Holds two Bikes with Crossbars									
1	8220 7520	1	J		77				CARRIER KIT, Bike
2	5018 825AA	1	J		77				HARDWARE KIT, Bike Carrier
3	4762 880	1	J		77				STRAP KIT, Velcro, Contains: 1 Long and 1 Short Strap



**JEEP WRANGLER (TJ)**

SERIES	LINE	BODY	ENGINE	TRANSMISSION
H = Sport	J = Wrangler 4WD	77 = 93.4 WB	ED1, ED0 = 2.4L DOHC	DGG, DGD = 32RH 3 Spd Auto
L = SE	U = Wrangler 4WD (RHD)		ERH = 4.0L Power Tech	DDD = 5 Speed HD Manual
M = X				DG0 = Auto. Trans.
P = Sahara				DBB = Manual Trans.
S = Rubicon				DDK = 5 Speed Manual

AR = Use as required - = Non illustrated part # = New this model year

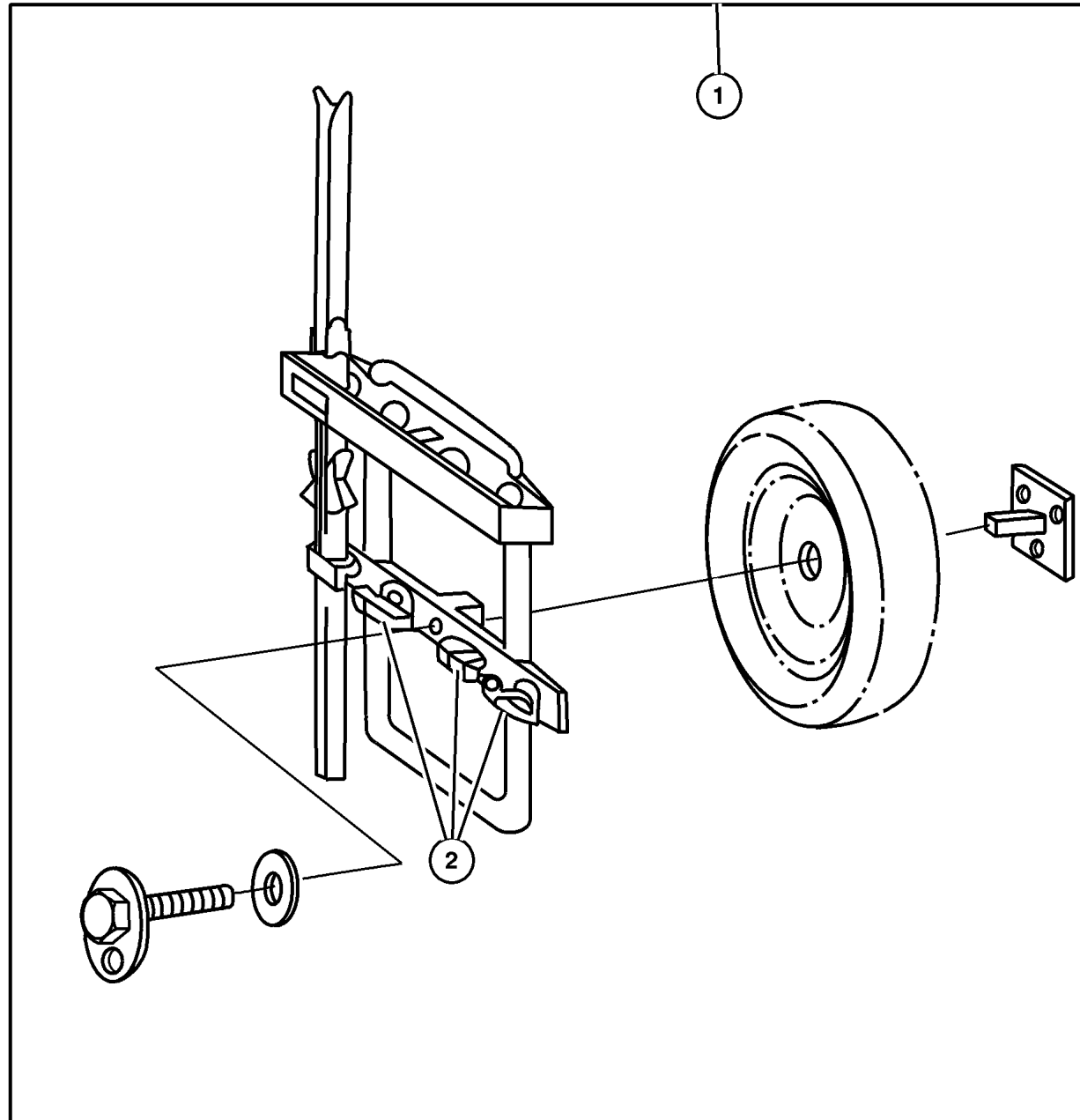
September 29, 2003

**Ski Carrier - Spare Tire Mount**  
**Figure 001-232**

ITEM	PART NUMBER	QTY	LINE	SERIES	BODY	ENGINE	TRANS	TRIM	DESCRIPTION
------	-------------	-----	------	--------	------	--------	-------	------	-------------

NOTE: Requires full size, outside mounted spare tire.

1	8220 7643	1	J		77				CARRIER KIT, Ski
2	5016 775AA	1	J		77				STRAP KIT, Bike Carrier Latch, Contains: 2 Rubber Straps



**JEEP WRANGLER (TJ)**

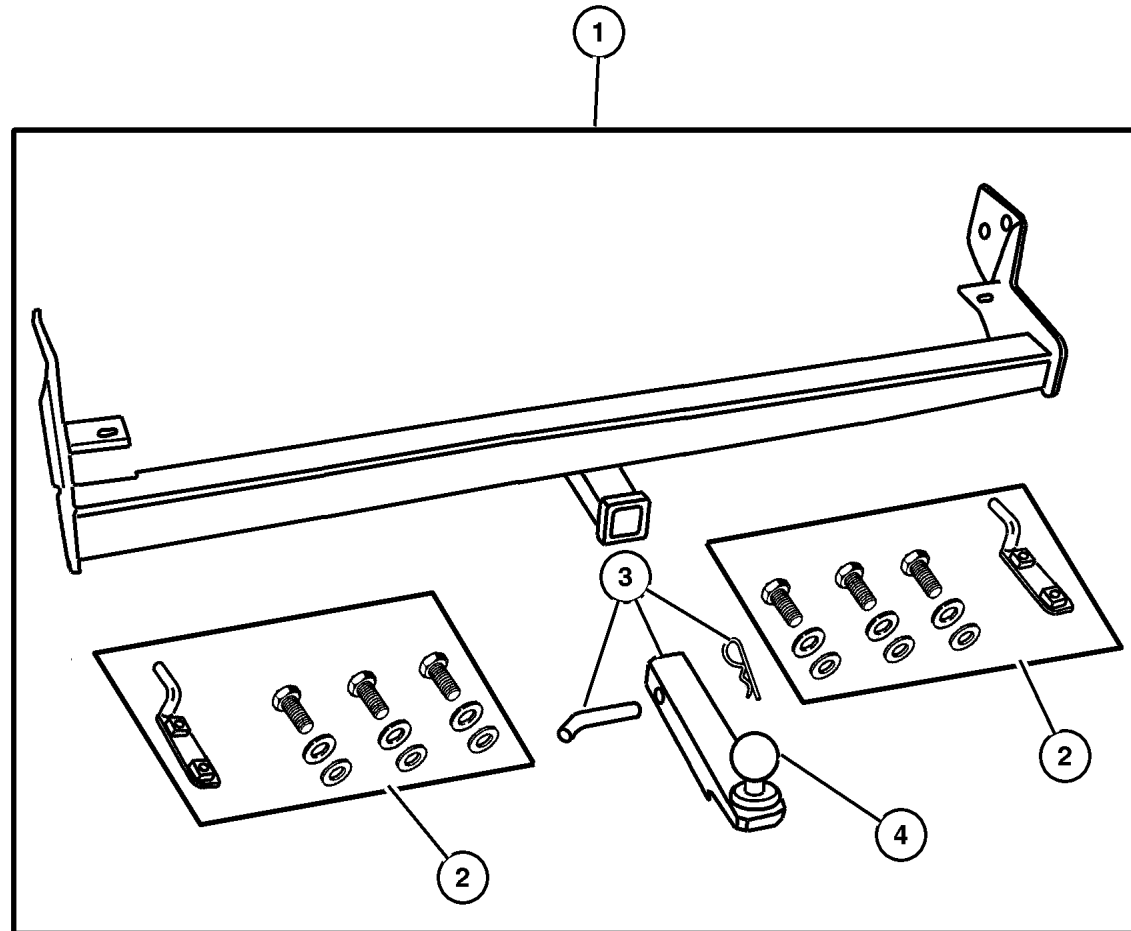
SERIES	LINE	BODY	ENGINE	TRANSMISSION
H = Sport	J = Wrangler 4WD	77 = 93.4 WB	ED1, ED0 = 2.4L DOHC	DGG, DGD = 32RH 3 Spd Auto
L = SE	U = Wrangler 4WD (RHD)		ERH = 4.0L Power Tech	DDD = 5 Speed HD Manual
M = X				DG0 = Auto. Trans.
P = Sahara				DBB = Manual Trans.
S = Rubicon				DDK = 5 Speed Manual

AR = Use as required - = Non illustrated part # = New this model year

September 29, 2003

**Trailer Tow - Receiver Kit  
Figure 001-250**

ITEM	PART NUMBER	QTY	LINE	SERIES	BODY	ENGINE	TRANS	TRIM	DESCRIPTION
1	8220 4119	1	J		77				RECEIVER KIT, Trailer Tow
2									HARDWARE KIT, Hitch, Serviced in Kit, (NOT SERVICED) (Not Serviced)
3	4549 284	1	J		77				ADAPTER KIT, Ball Mount
4	8240 1104	1	J		77				BALL KIT, Trailer Tow, Includes Drawbar, Pin and Clip

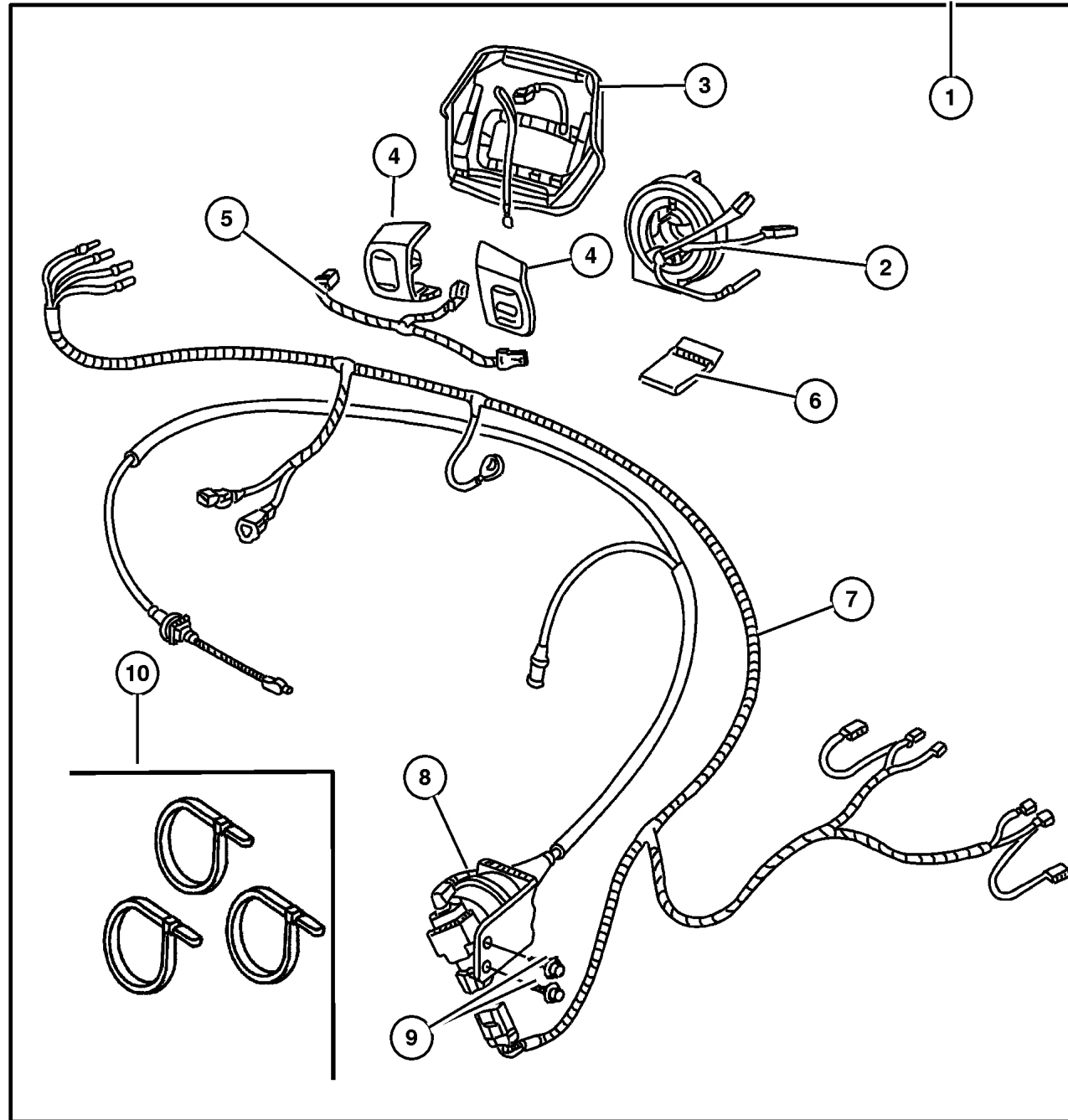


<b>JEEP WRANGLER (TJ)</b>				
SERIES	LINE	BODY	ENGINE	TRANSMISSION
H = Sport	J = Wrangler 4WD	77 = 93.4 WB	ED1, ED0 = 2.4L DOHC	DGG, DGD = 32RH 3 Spd Auto
L = SE	U = Wrangler 4WD (RHD)		ERH = 4.0L Power Tech	DDD = 5 Speed HD Manual
M = X				DG0 = Auto. Trans.
P = Sahara				DBB = Manual Trans.
S = Rubicon				DDK = 5 Speed Manual

AR = Use as required - = Non illustrated part # = New this model year

September 29, 2003

**Speed Control Kit  
Figure 001-310**



ITEM	PART NUMBER	QTY	LINE	SERIES	BODY	ENGINE	TRANS	TRIM	DESCRIPTION
1									CONTROL PACKAGE, Speed Control
	#8220 8190	1							Control
	#8220 8195	1							2.4
2	#56047 144AA	1							CLOCKSPRING
3	#XZ03 DX9AA	1							COVER, Air Bag Module
4	5GY38 DX9AA	1							SWITCH, Speed Control
5	5600 9437	1							WIRING, Steering Wheel
6									FASTENER, Trim Cover, (NOT SERVICED) (Not Serviced)
7									WIRING, Speed Control, (NOT SERVICED) (Not Serviced)
8									SERVO, Speed Control, Same as Production, (NOT SERVICED) (Not Serviced)
9									SCREW, Hex Head, M6x1x20, (NOT SERVICED) (Not Serviced)
10	5073 039AA	1							STRAP, Tie

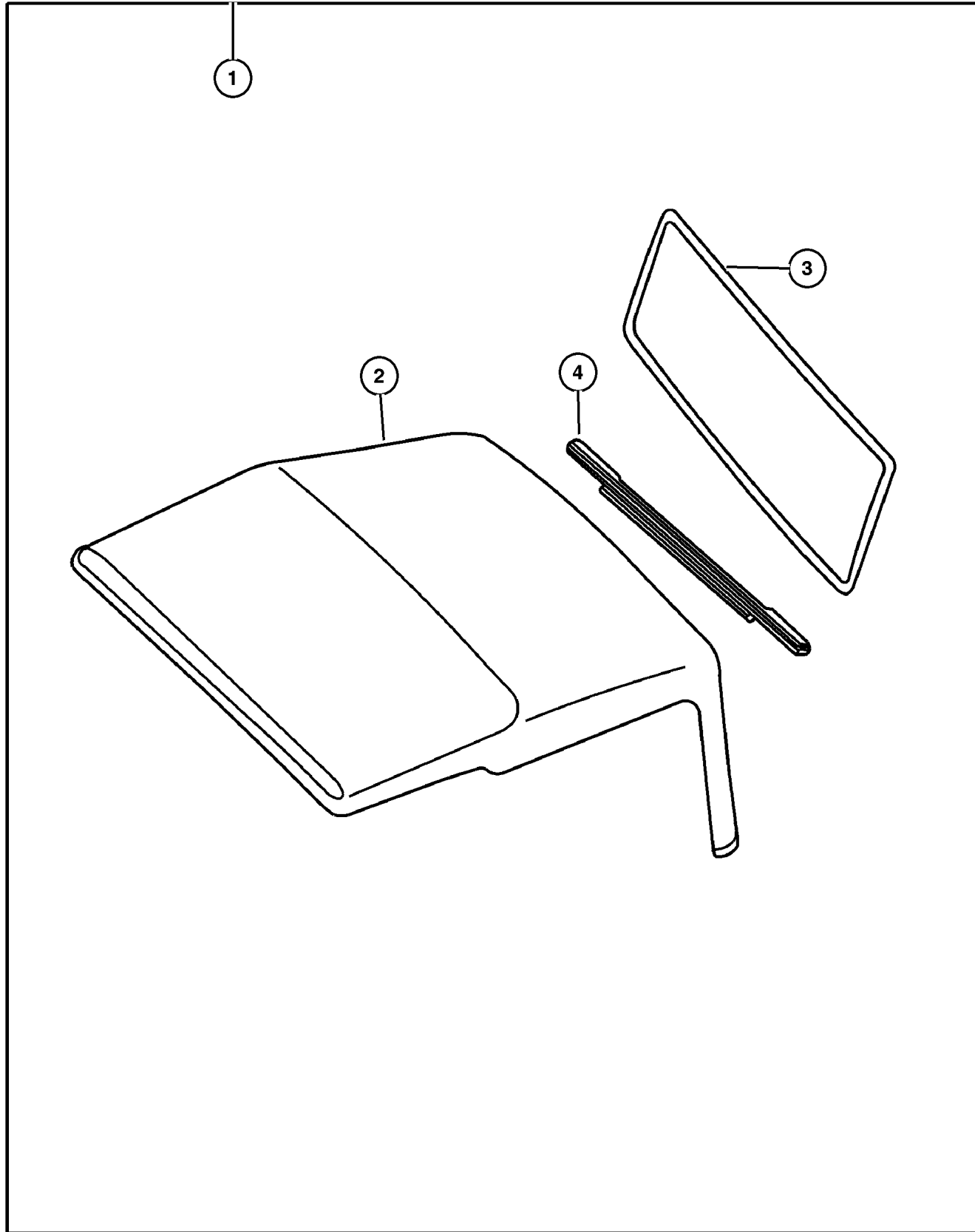
**JEEP WRANGLER (TJ)**

SERIES	LINE	BODY	ENGINE	TRANSMISSION
H = Sport	J = Wrangler 4WD	77 = 93.4 WB	ED1, ED0 = 2.4L DOHC	DGG, DGD = 32RH 3 Spd Auto
L = SE	U = Wrangler 4WD (RHD)		ERH = 4.0L Power Tech	DDD = 5 Speed HD Manual
M = X				DG0 = Auto. Trans.
P = Sahara				DBB = Manual Trans.
S = Rubicon				DDK = 5 Speed Manual

AR = Use as required - = Non illustrated part # = New this model year

September 29, 2003

**Top Kit - Soft Hardtop Replacement  
Figure 001-320**



ITEM	PART NUMBER	QTY	LINE	SERIES	BODY	ENGINE	TRANS	TRIM	DESCRIPTION
------	-------------	-----	------	--------	------	--------	-------	------	-------------

NOTE: Half door window Kits must be ordered seperately

1									TOP KIT, Soft - Hardtop Replacement
	#8220 7728	1							Black
	#8220 7729	1							Khaki
2									COVER, Soft Top
	#5JM59 SX9AA	1							Black
	#5JM59 ZJ8AA	1							Khaki
3									WINDOW, Tailgate
	#5JH07 SX9AA	1							Black
	#5JH07 ZJ8AA	1							Khaki
	#5JH14 SX9AA	1							Black [GHD]
	#5JH14 ZJ8AA	1							Khaki [GHD]
4	55176 736AB	1							RETAINER, Soft Top Rail
-5	#8220 8167	1							WINDOW KIT, Door - Front, Use with half door

**JEEP WRANGLER (TJ)**

SERIES	LINE	BODY	ENGINE	TRANSMISSION
H = Sport	J = Wrangler 4WD	77 = 93.4 WB	ED1, ED0 = 2.4L DOHC	DGG, DGD = 32RH 3 Spd Auto
L = SE	U = Wrangler 4WD (RHD)		ERH = 4.0L Power Tech	DDD = 5 Speed HD Manual
M = X				DG0 = Auto. Trans.
P = Sahara				DBB = Manual Trans.
S = Rubicon				DDK = 5 Speed Manual

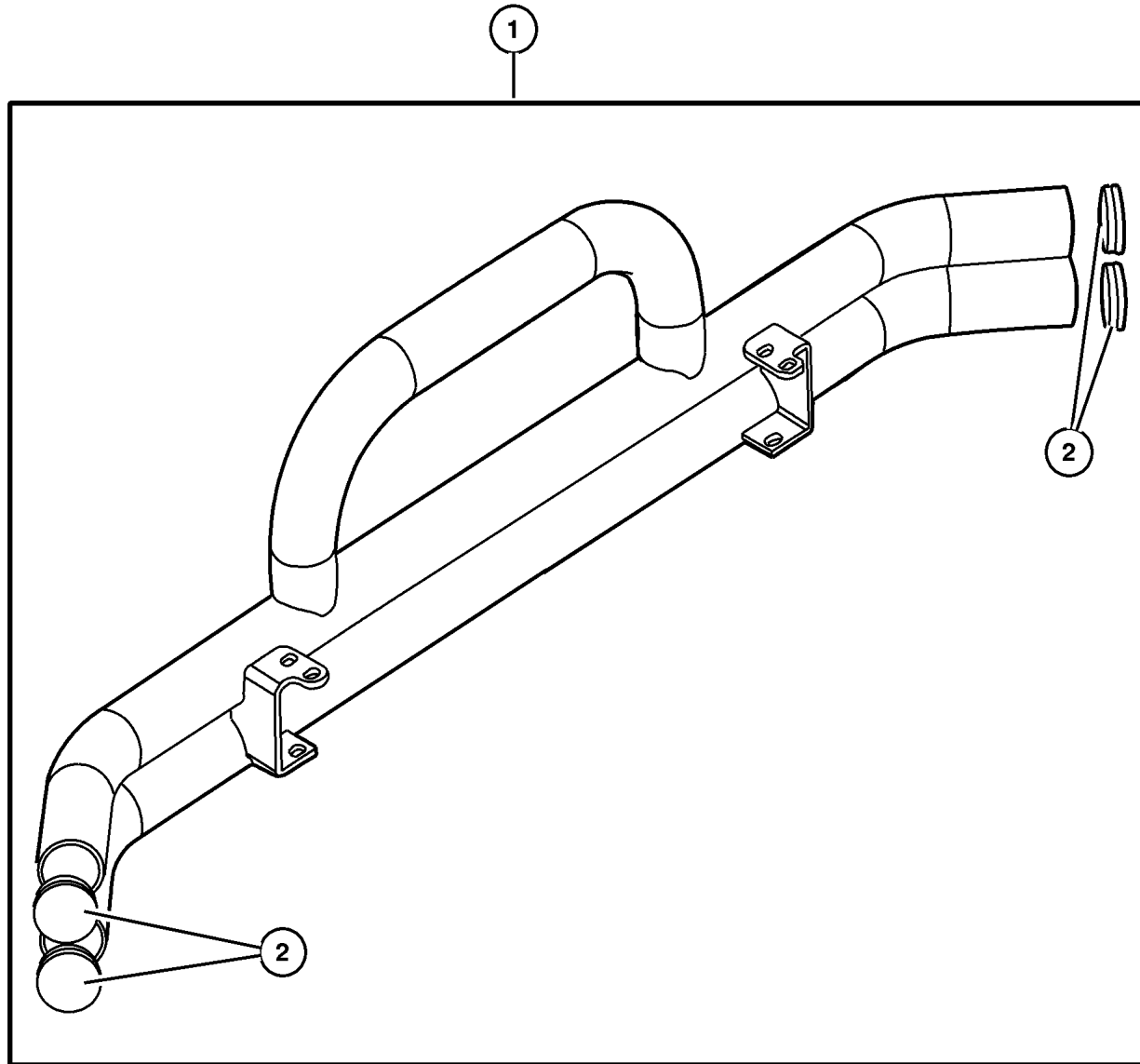
AR = Use as required - = Non illustrated part # = New this model year

September 29, 2003



**Bumper Kit- Front Tubular**  
**Figure 001-410**

ITEM	PART NUMBER	QTY	LINE	SERIES	BODY	ENGINE	TRANS	TRIM	DESCRIPTION
1									BUMPER KIT, Tubular
	8220 2173	1	J		77				Black painted Steel
	8220 4269	1	J		77				Chromed Steel
	8220 2175	1	J		77				Black anodized Aluminum
2									END CAP, Bumper
	4897 576AA	1	J		77				End Cap, Bumper
	4897 577AA	1	J		77				End Cap, Bumper



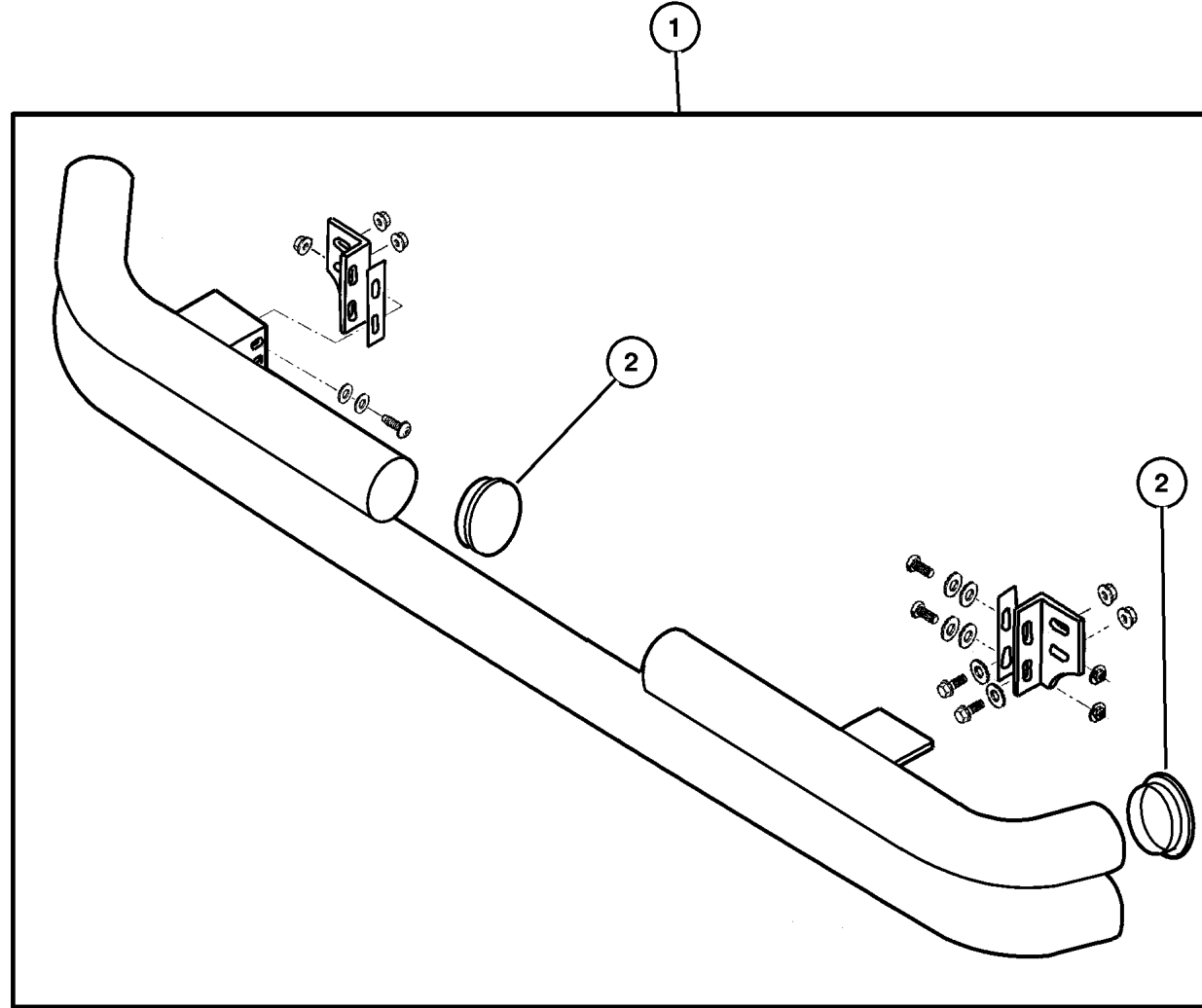
<b>JEEP WRANGLER (TJ)</b>				
SERIES	LINE	BODY	ENGINE	TRANSMISSION
H = Sport	J = Wrangler 4WD	77 = 93.4 WB	ED1, ED0 = 2.4L DOHC	DGG, DGD = 32RH 3 Spd Auto
L = SE	U = Wrangler 4WD (RHD)		ERH = 4.0L Power Tech	DDD = 5 Speed HD Manual
M = X				DG0 = Auto. Trans.
P = Sahara				DBB = Manual Trans.
S = Rubicon				DDK = 5 Speed Manual

AR = Use as required - = Non illustrated part # = New this model year

September 29, 2003

**Bumper Kit - Rear Tubular**  
**Figure 001-420**

ITEM	PART NUMBER	QTY	LINE	SERIES	BODY	ENGINE	TRANS	TRIM	DESCRIPTION
NOTE; Total of 6 End Caps are Required.									
1	8220 3290	1	J		77				BUMPER KIT, Tubular-Rear Black painted Steel
	8220 3294	1	J		77				Black anodized Aluminum
	8220 3295	1	J		77				Chromed Steel
2	4897 576AA	1	J		77				END CAP, Bumper
	4897 577AA	1	J		77				End Cap, Bumper



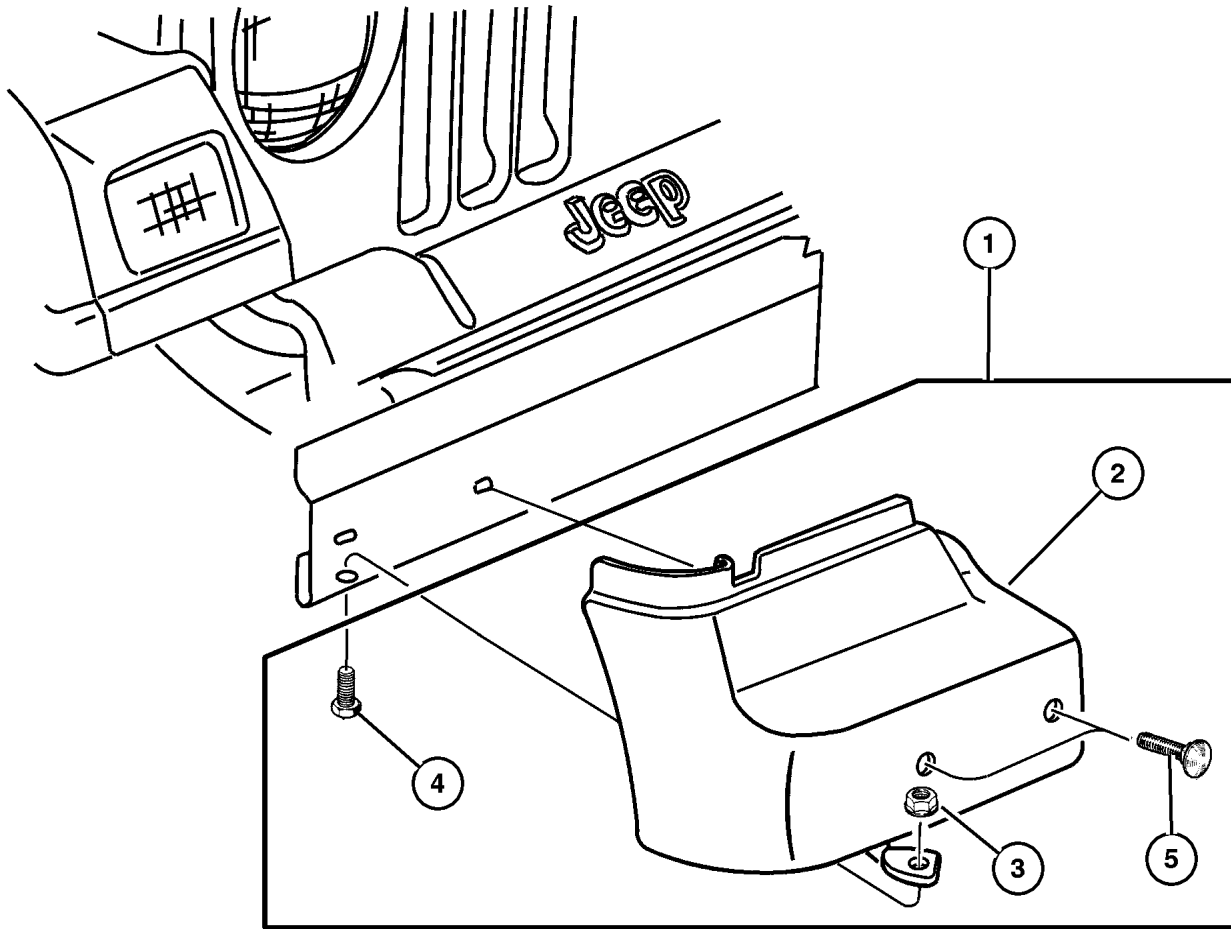
<b>JEEP WRANGLER (TJ)</b>				
SERIES	LINE	BODY	ENGINE	TRANSMISSION
H = Sport	J = Wrangler 4WD	77 = 93.4 WB	ED1, ED0 = 2.4L DOHC	DGG, DGD = 32RH 3 Spd Auto
L = SE	U = Wrangler 4WD (RHD)		ERH = 4.0L Power Tech	DDD = 5 Speed HD Manual
M = X				DG0 = Auto. Trans.
P = Sahara				DBB = Manual Trans.
S = Rubicon				DDK = 5 Speed Manual

AR = Use as required - = Non illustrated part # = New this model year

September 29, 2003

## Extension Kit - Bumper Front Figure 001-430

ITEM	PART NUMBER	QTY	LINE	SERIES	BODY	ENGINE	TRANS	TRIM	DESCRIPTION
1	8220 2378	1	J		77				EXTENSION PACKAGE, Front
2									Bumper COVER, Bumper
	55155 668AB	1							Right
	55155 669AB	1							Left
3	6101 447	4							NUT
4	6504 212	2							SCREW, Large Round Washer Head Lock, M6x1.00x20.00
5	6504 723	4							BOLT



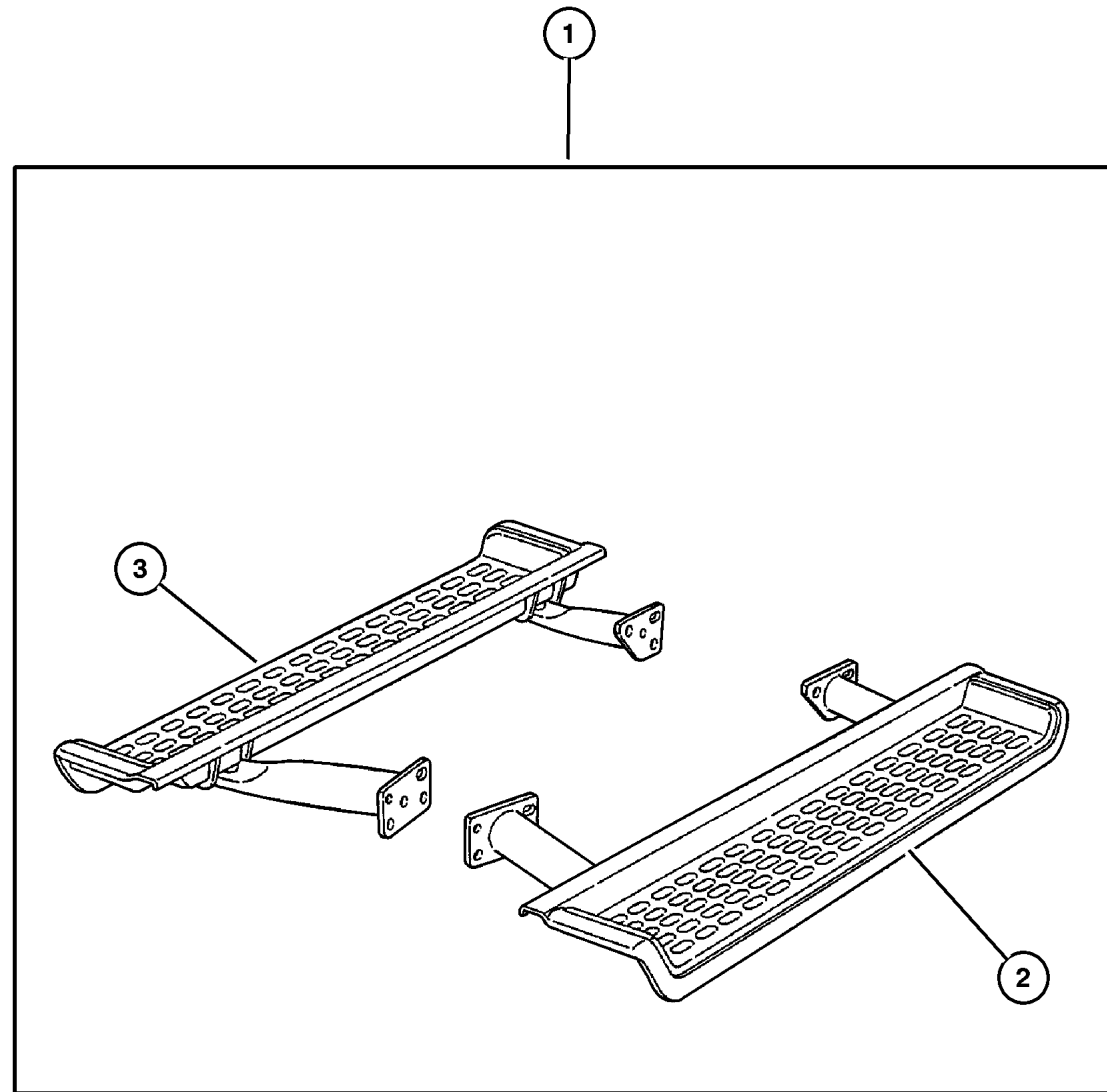
JEEP WRANGLER (TJ)				
SERIES	LINE	BODY	ENGINE	TRANSMISSION
H = Sport	J = Wrangler 4WD	77 = 93.4 WB	ED1, ED0 = 2.4L DOHC	DGG, DGD = 32RH 3 Spd Auto
L = SE	U = Wrangler 4WD (RHD)		ERH = 4.0L Power Tech	DDD = 5 Speed HD Manual
M = X				DG0 = Auto. Trans.
P = Sahara				DBB = Manual Trans.
S = Rubicon				DDK = 5 Speed Manual

AR = Use as required - = Non illustrated part # = New this model year

September 29, 2003

Side Step Kit  
Figure 001-440

ITEM	PART NUMBER	QTY	LINE	SERIES	BODY	ENGINE	TRANS	TRIM	DESCRIPTION
1	8220 6456	1	J		77				STEP PACKAGE, Side
2	55156 200AB	1							STEP PAD, Side Step
3	55156 201AB	1							STEP PAD, Side Step
-4	5066 240AA	1	J		77				BOLT, M Bolt



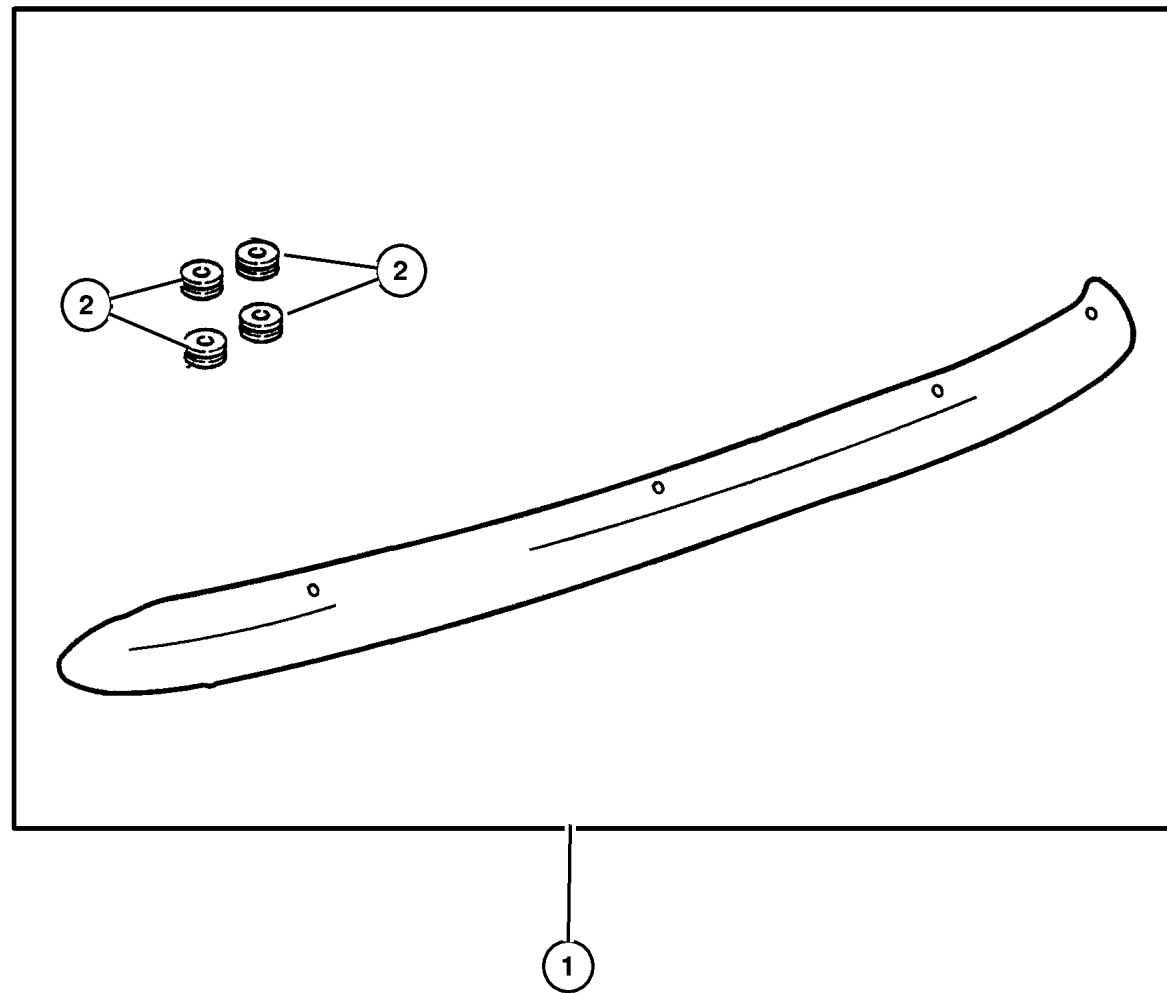
<b>JEEP WRANGLER (TJ)</b>				
SERIES	LINE	BODY	ENGINE	TRANSMISSION
H = Sport	J = Wrangler 4WD	77 = 93.4 WB	ED1, ED0 = 2.4L DOHC	DGG, DGD = 32RH 3 Spd Auto
L = SE	U = Wrangler 4WD (RHD)		ERH = 4.0L Power Tech	DDD = 5 Speed HD Manual
M = X				DG0 = Auto. Trans.
P = Sahara				DBB = Manual Trans.
S = Rubicon				DDK = 5 Speed Manual

AR = Use as required - = Non illustrated part # = New this model year

September 29, 2003

**Shield Kit - Air Front**  
**Figure 001-510**

ITEM	PART NUMBER	QTY	LINE	SERIES	BODY	ENGINE	TRANS	TRIM	DESCRIPTION
1	8220 2160	1	J		77				SHIELD KIT, Air - Front
2	5014 754AA	1	J		77				SPACER, Air Deflector



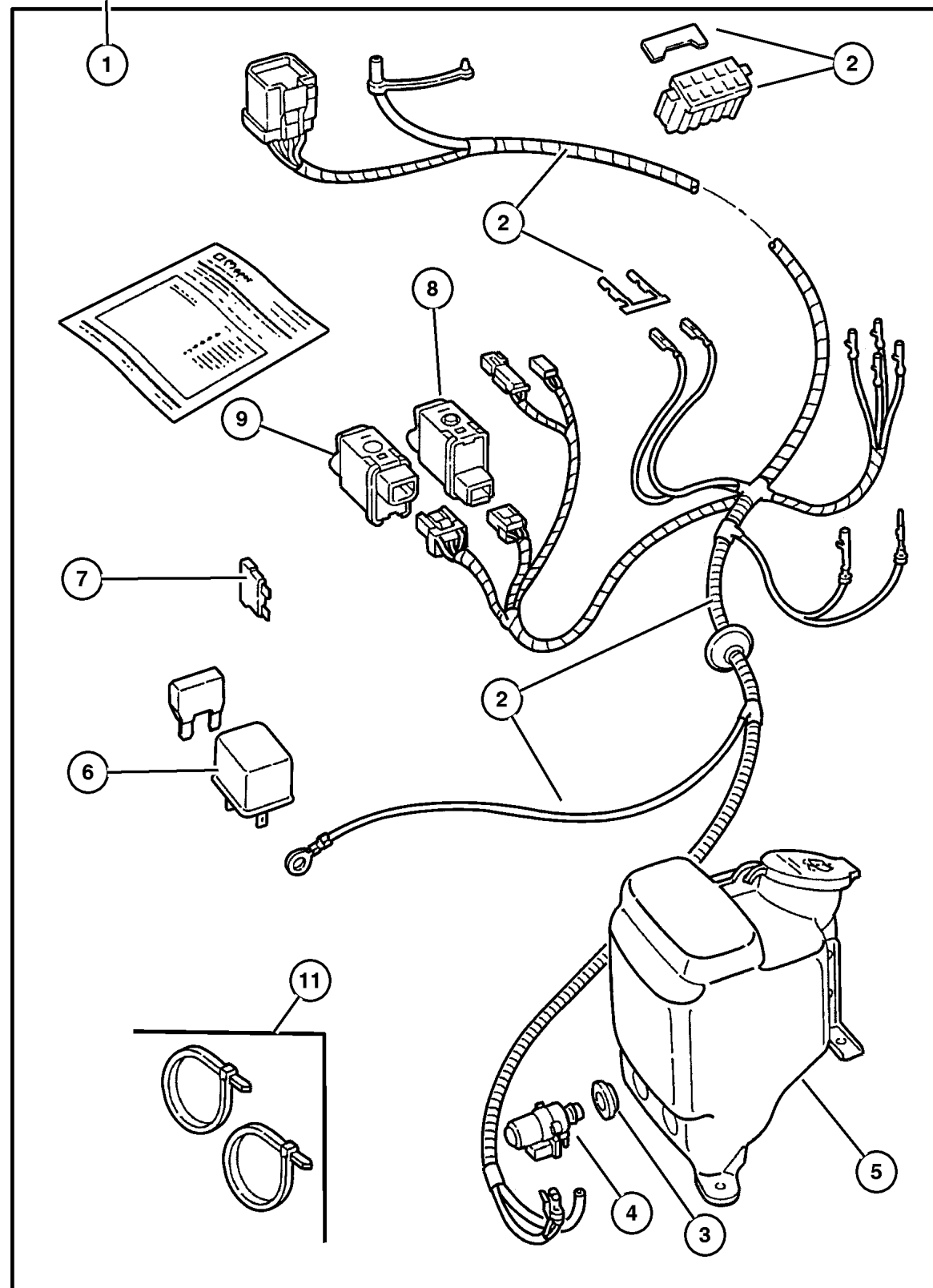
**JEEP WRANGLER (TJ)**

SERIES	LINE	BODY	ENGINE	TRANSMISSION
H = Sport	J = Wrangler 4WD	77 = 93.4 WB	ED1, ED0 = 2.4L DOHC	DGG, DGD = 32RH 3 Spd Auto
L = SE	U = Wrangler 4WD (RHD)		ERH = 4.0L Power Tech	DDD = 5 Speed HD Manual
M = X				DG0 = Auto. Trans.
P = Sahara				DBB = Manual Trans.
S = Rubicon				DDK = 5 Speed Manual

AR = Use as required - = Non illustrated part # = New this model year

September 29, 2003

## Hardtop Wiring Kit Figure 001-550



ITEM	PART NUMBER	QTY	LINE	SERIES	BODY	ENGINE	TRANS	TRIM	DESCRIPTION
1	#8220 8132	1	J		77				WIRING PACKAGE, Enclosure
2	#8220 8214	1	J		77				WIRING, Hardtop
3	#5096 346AA	2							GROMMET, Washer Reservoir
4	#5096 343AA	2							PUMP, Washer, Windshield
5	#5096 345AA	1							RESERVOIR, Washer
6	4638 094	1							RELAY PACKAGE, Electrical
7	6101 486	1							FUSE, Mini, 10 AMP, Red
8	5600 7250	1							SWITCH, Electric Back Light
9	5600 7249	1							SWITCH, Wiper and Washer
-10	6102 077AA	1							FUSE CARTRIDGE, 40 Amp
11	5073 039AA	1							STRAP, Tie

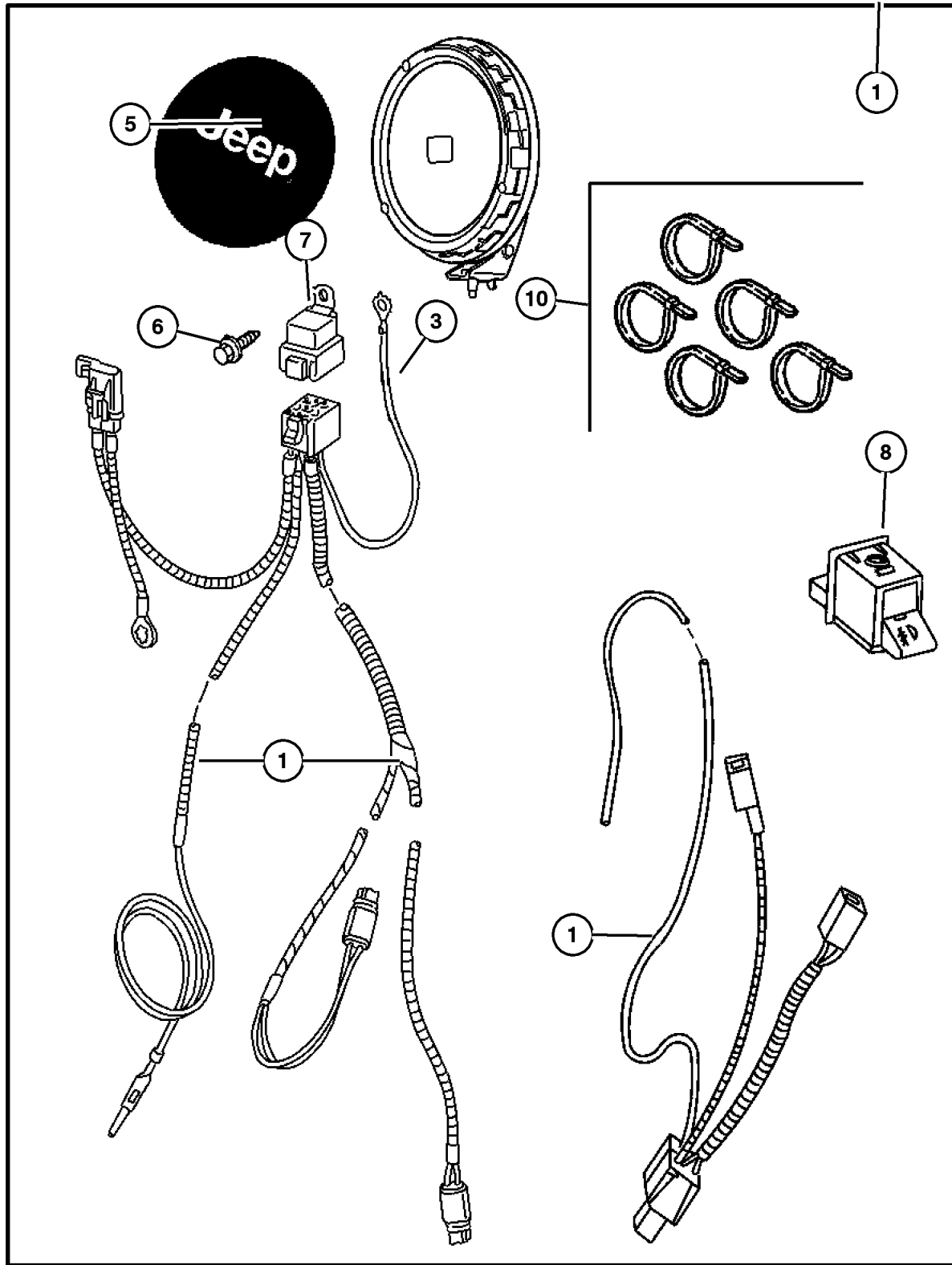
### JEEP WRANGLER (TJ)

SERIES	LINE	BODY	ENGINE	TRANSMISSION
H = Sport	J = Wrangler 4WD	77 = 93.4 WB	ED1, ED0 = 2.4L DOHC	DGG, DGD = 32RH 3 Spd Auto
L = SE	U = Wrangler 4WD (RHD)		ERH = 4.0L Power Tech	DDD = 5 Speed HD Manual
M = X				DG0 = Auto. Trans.
P = Sahara				DBB = Manual Trans.
S = Rubicon				DDK = 5 Speed Manual

AR = Use as required - = Non illustrated part # = New this model year

September 29, 2003

**Light Kit - Fog  
Figure 001-610**



ITEM	PART NUMBER	QTY	LINE	SERIES	BODY	ENGINE	TRANS	TRIM	DESCRIPTION
------	-------------	-----	------	--------	------	--------	-------	------	-------------

**NOTE:**

Use Bracket Kit #82202610 for Front Tube Bumpers

Wiring will need to be modified to fit application

1	#8220 8017	1	J		77				LIGHT PACKAGE, Fog
-2	4864 773	2	J						RETAINER, Fog Lamp Bulb
3	55055 095AG	2	J						LAMP, Fog
-4	L00H 355W	2	J						BULB, Fog Lamp, H-3 55 WATT
5	8220 2585	1							COVER KIT, Light
6	0154 552	1							SCREW, Hex Head, .190-16x.625
7	4638 094	1	U						RELAY PACKAGE, Electrical
8	5016 709AC	1							SWITCH, Multifunction
-9									WIRING KIT, Fog Light, Serviced in Package, (NOT SERVICED) (Not Serviced)
10	5073 039AA	1							STRAP, Tie

**JEEP WRANGLER (TJ)**

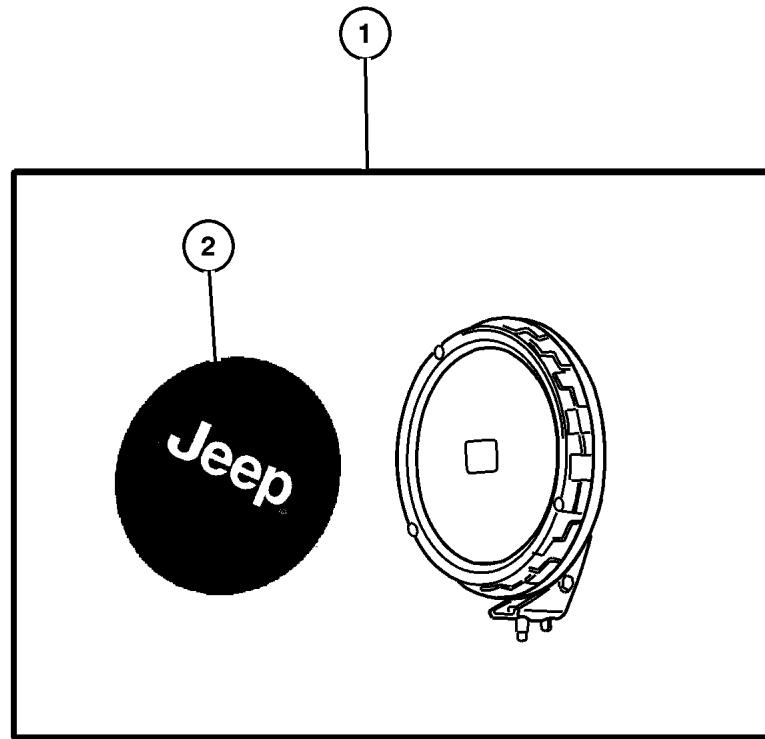
SERIES	LINE	BODY	ENGINE	TRANSMISSION
H = Sport	J = Wrangler 4WD	77 = 93.4 WB	ED1, ED0 = 2.4L DOHC	DGG, DGD = 32RH 3 Spd Auto
L = SE	U = Wrangler 4WD (RHD)		ERH = 4.0L Power Tech	DDD = 5 Speed HD Manual
M = X				DG0 = Auto. Trans.
P = Sahara				DBB = Manual Trans.
S = Rubicon				DDK = 5 Speed Manual

AR = Use as required - = Non illustrated part # = New this model year

September 29, 2003

Light Kit - Off Road  
Figure 001-620

ITEM	PART NUMBER	QTY	LINE	SERIES	BODY	ENGINE	TRANS	TRIM	DESCRIPTION
1	8220 2529	1	J		77				LIGHT PACKAGE, Off Road, 6' Round, 6 inch round
2	8220 2585	1							COVER KIT, Light



**JEEP WRANGLER (TJ)**

SERIES	LINE	BODY	ENGINE	TRANSMISSION
H = Sport	J = Wrangler 4WD	77 = 93.4 WB	ED1, ED0 = 2.4L DOHC	DGG, DGD = 32RH 3 Spd Auto
L = SE	U = Wrangler 4WD (RHD)		ERH = 4.0L Power Tech	DDD = 5 Speed HD Manual
M = X				DG0 = Auto. Trans.
P = Sahara				DBB = Manual Trans.
S = Rubicon				DDK = 5 Speed Manual

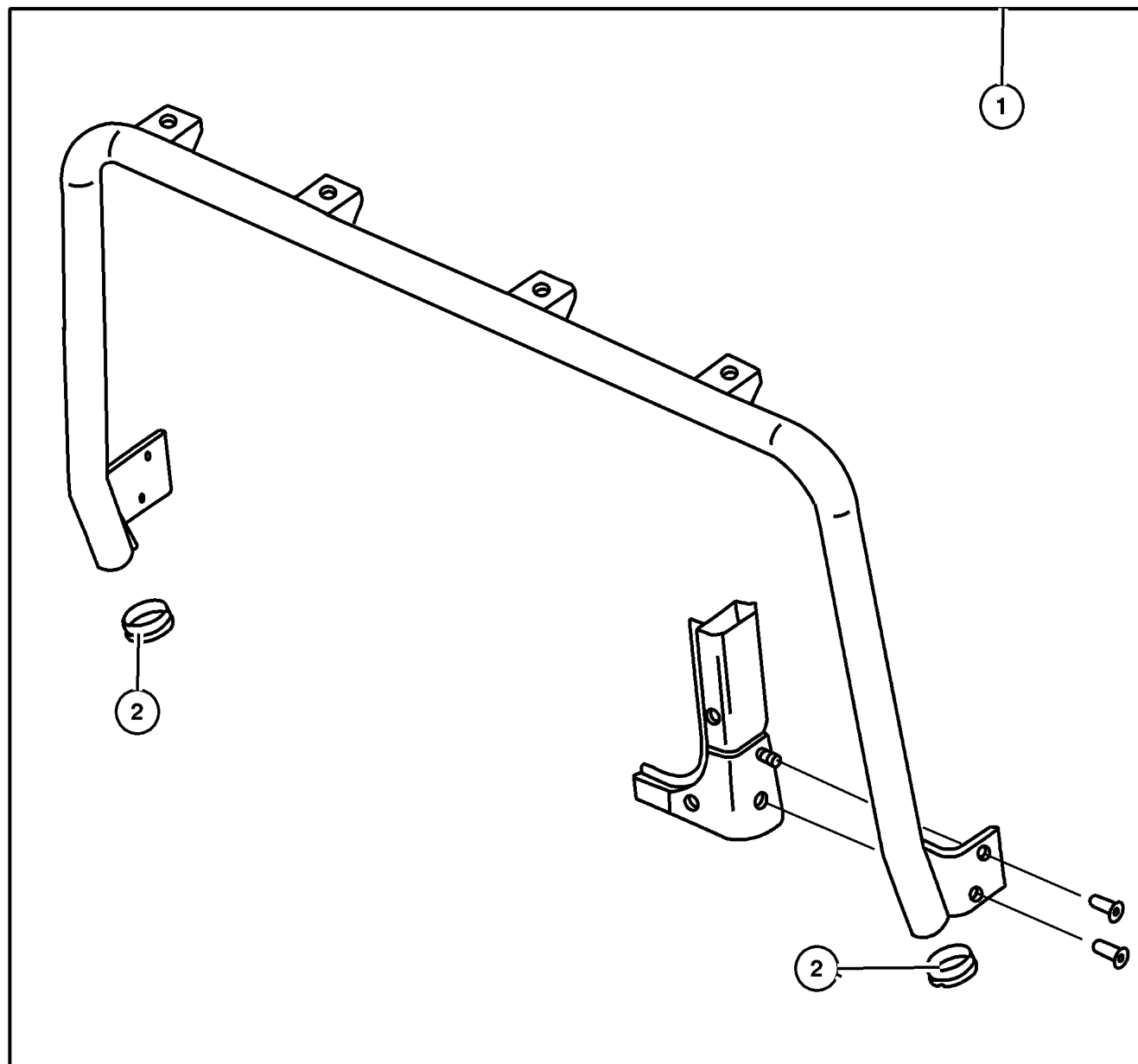
AR = Use as required - = Non illustrated part # = New this model year

September 29, 2003



**Bar Kit - Light Windshield**  
**Figure 001-630**

ITEM	PART NUMBER	QTY	LINE	SERIES	BODY	ENGINE	TRANS	TRIM	DESCRIPTION
NOTE: Windshield mount holds up to four lights. Includes wire harness. Windshield cannot be lowered.									
1	8220 7174	1	J		77				BAR KIT, Light-Windshield Steel, Painted Black
	8220 7175	1	J		77				Aluminum, Black Anodized
	8220 7176	1	J		77				Steel, Chromed
2	4897 579AA	1	J		77				END CAP, Light Bar Use with 82207174 and 82207176
	4897 580AA	1	J		77				Use with 82207175

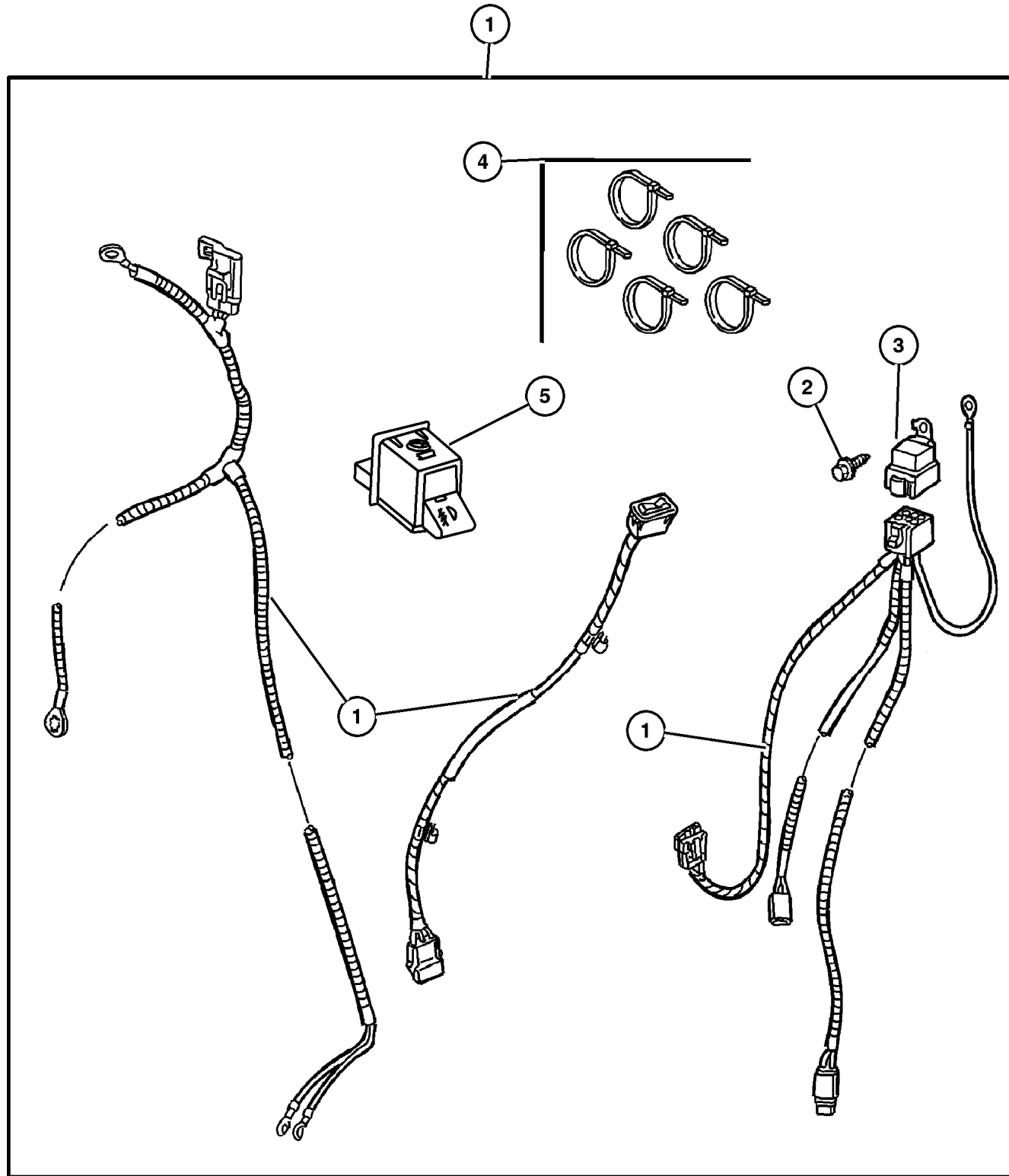


<b>JEEP WRANGLER (TJ)</b>				
SERIES	LINE	BODY	ENGINE	TRANSMISSION
H = Sport	J = Wrangler 4WD	77 = 93.4 WB	ED1, ED0 = 2.4L DOHC	DGG, DGD = 32RH 3 Spd Auto
L = SE	U = Wrangler 4WD (RHD)		ERH = 4.0L Power Tech	DDD = 5 Speed HD Manual
M = X				DG0 = Auto. Trans.
P = Sahara				DBB = Manual Trans.
S = Rubicon				DDK = 5 Speed Manual

AR = Use as required - = Non illustrated part # = New this model year

September 29, 2003

**Installation Package - Lights Off Road**  
**Figure 001-640**



ITEM	PART NUMBER	QTY	LINE	SERIES	BODY	ENGINE	TRANS	TRIM	DESCRIPTION
1	8220 2526	1	J		77				INSTALLATION PACKAGE, Off Road Light
2	0154 552	1							SCREW, Hex Head, .190-16x.625
3	4638 271	1	J		77				RELAY PACKAGE, Electrical
4	4641 780	3							STRAP, Tie
5	5269 430	1	J		77				SWITCH, Fog Lamp

**JEEP WRANGLER (TJ)**

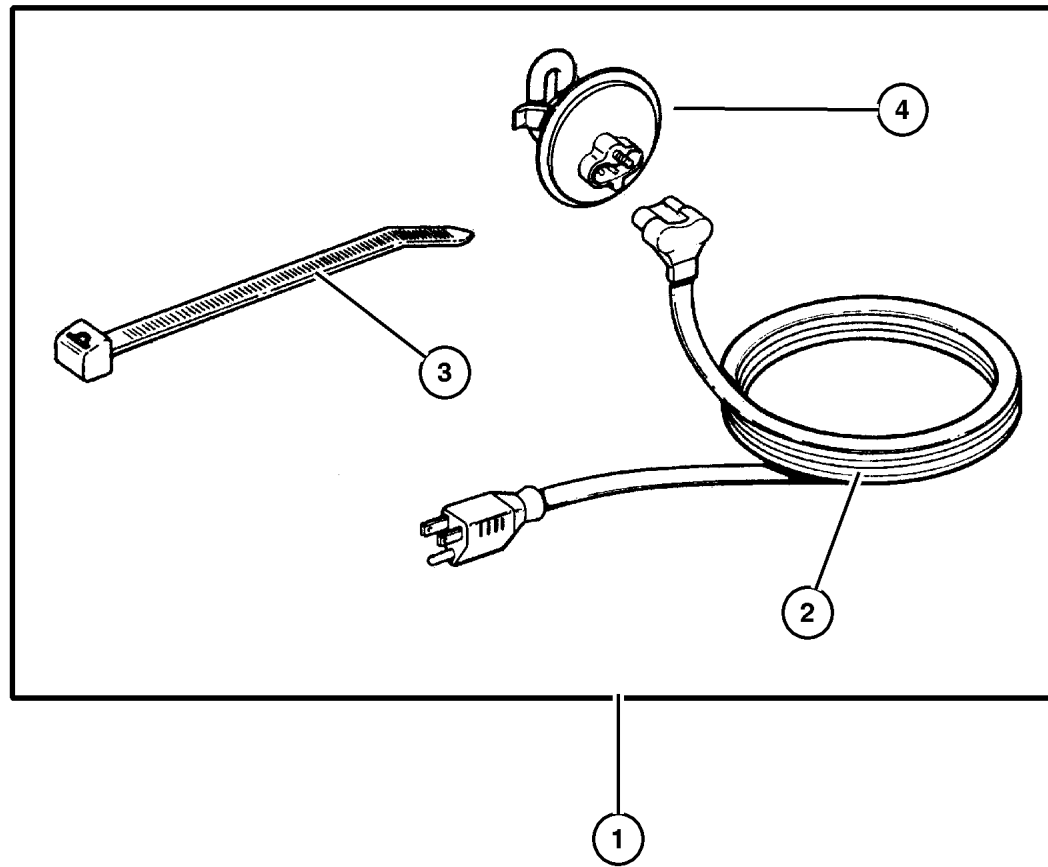
SERIES	LINE	BODY	ENGINE	TRANSMISSION
H = Sport	J = Wrangler 4WD	77 = 93.4 WB	ED1, ED0 = 2.4L DOHC	DGG, DGD = 32RH 3 Spd Auto
L = SE	U = Wrangler 4WD (RHD)		ERH = 4.0L Power Tech	DDD = 5 Speed HD Manual
M = X				DG0 = Auto. Trans.
P = Sahara				DBB = Manual Trans.
S = Rubicon				DDK = 5 Speed Manual

AR = Use as required - = Non illustrated part # = New this model year

September 29, 2003

**Heater Kit - Engine Block**  
**Figure 001-650**

ITEM	PART NUMBER	QTY	LINE	SERIES	BODY	ENGINE	TRANS	TRIM	DESCRIPTION
1	8220 1506	1							HEATER PACKAGE, Engine Block, 4.0L Engine
2	J575 2677	1							CORD, Engine Block Heater
3	4641 780	1							STRAP, Tie
4									HEATER, Engine Block, Serviced only in package, (NOT SERVICED) (Not Serviced)



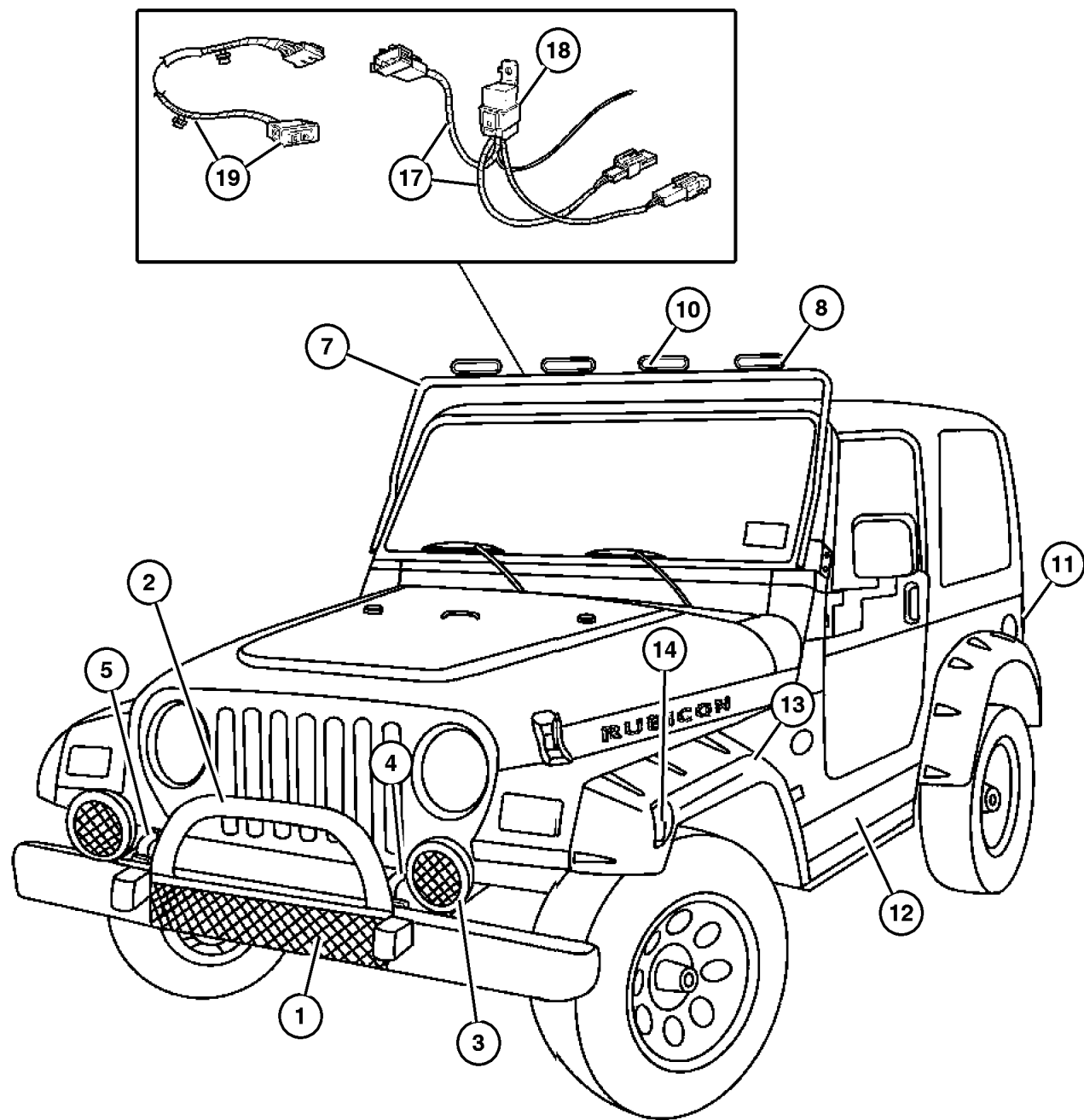
<b>JEEP WRANGLER (TJ)</b>				
SERIES	LINE	BODY	ENGINE	TRANSMISSION
H = Sport	J = Wrangler 4WD	77 = 93.4 WB	ED1, ED0 = 2.4L DOHC	DGG, DGD = 32RH 3 Spd Auto
L = SE	U = Wrangler 4WD (RHD)		ERH = 4.0L Power Tech	DDD = 5 Speed HD Manual
M = X				DG0 = Auto. Trans.
P = Sahara				DBB = Manual Trans.
S = Rubicon				DDK = 5 Speed Manual

AR = Use as required - = Non illustrated part # = New this model year

September 29, 2003

**Tomb Raider Edition  
Figure 001-710**

ITEM	PART NUMBER	QTY	LINE	SERIES	BODY	ENGINE	TRANS	TRIM	DESCRIPTION
1	#8220 8460	1							APPLIQUE, FRONT END
2	8220 8444	1							GUARD KIT, Grille
3	8220 2585	1							COVER KIT, Light, Mesh
4	5205 9015	1							HOOK, Tow
5	5205 9016	1							HOOK, Tow
-6	6036 060AA	4							SCREW, Tow Hook Mounting
7	8220 8445	1	J		77				BAR KIT, Light-Windshield
8	#5133 150AA	1	J		77				LIGHT KIT, Off Road
-9	5139 216AA	1	J		77				HARDWARE KIT, Mounting, Light
									Bar
10	#5133 151AA	1	J		77				COVER KIT, Light
11	8220 8446	1	J		77				GUARD KIT, Light
12	8220 8483	1							GUARD KIT, Bodyside
13	8220 8463	1							MOLDING KIT, Wheel Lip Opening
14									LAMP, Side Marker
	55155 628AB	1							Right
	55155 629AB	1							Left
-15	0153 624	2							BULB, W3W, Side Marker
-16	#55157 068AA	1							DIMENSIONAL GRAPHIC
17	#8220 8465	1	J		77				INSTALLATION PACKAGE, Off Road Light
18	4638 271	1							RELAY PACKAGE, Electrical
19	5269 430	1							SWITCH, Fog Lamp
-20	5073 039AA	1							STRAP, Tie, Bag of 50



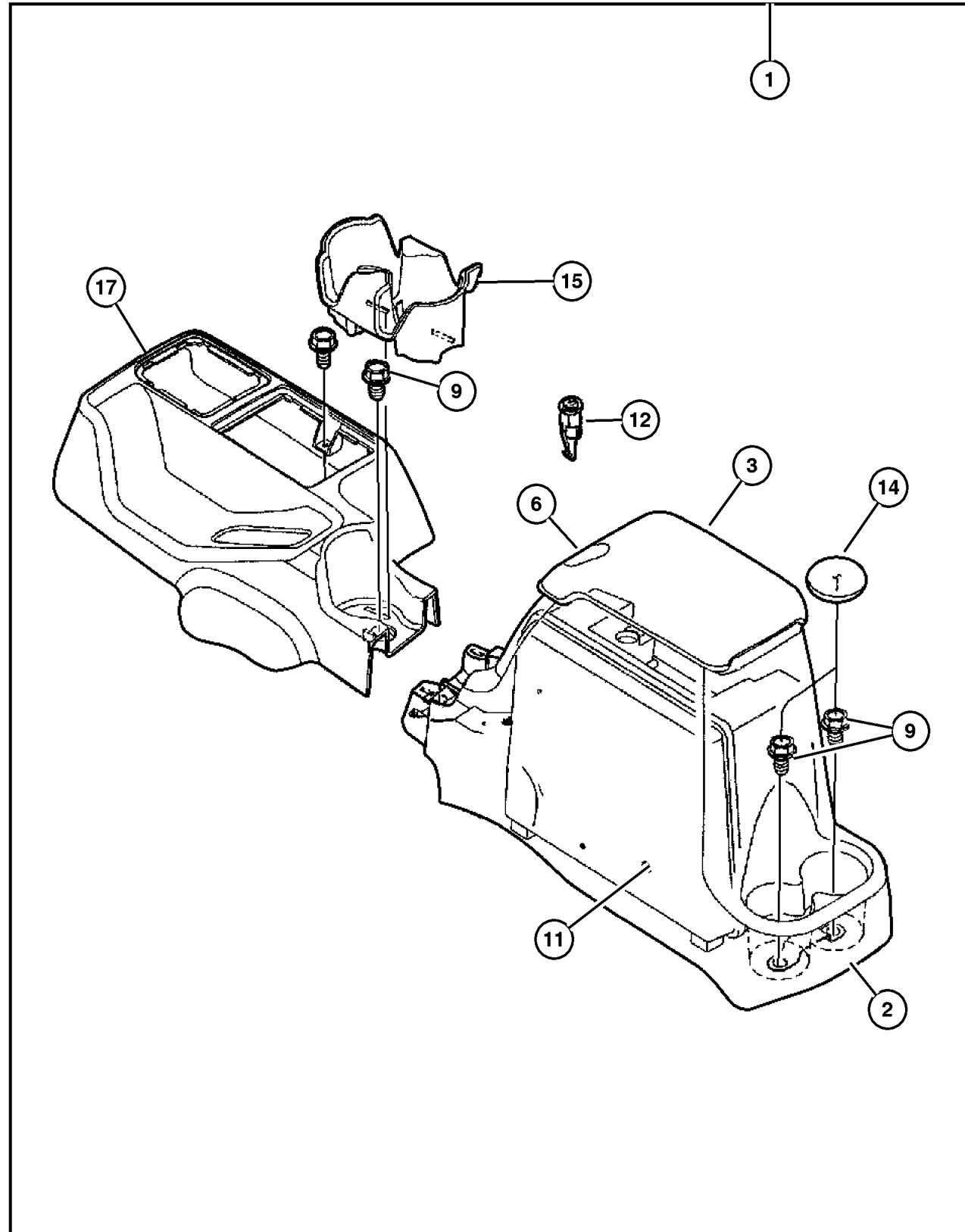
**JEEP WRANGLER (TJ)**

SERIES	LINE	BODY	ENGINE	TRANSMISSION
H = Sport	J = Wrangler 4WD	77 = 93.4 WB	ED1, ED0 = 2.4L DOHC	DGG, DGD = 32RH 3 Spd Auto
L = SE	U = Wrangler 4WD (RHD)		ERH = 4.0L Power Tech	DDD = 5 Speed HD Manual
M = X				DG0 = Auto. Trans.
P = Sahara				DBB = Manual Trans.
S = Rubicon				DDK = 5 Speed Manual

AR = Use as required - = Non illustrated part # = New this model year

September 29, 2003

Console Kit - Floor  
Figure 001-820



ITEM	PART NUMBER	QTY	LINE	SERIES	BODY	ENGINE	TRANS	TRIM	DESCRIPTION
1									CONSOLE PACKAGE, Center
	#8220 7705	1							Khaki
	#8220 7706	1							Gray
2									CONSOLE, Floor
	5HE62 XDVAD	1							Gray
	5HE62 ZJ3AD	1							Khaki
3									LID, Center Console Storage
	5HE63 XDVAD	1							Gray
	5HE63 ZJ3AD	1							Khaki
-4	55315 039AB	1							HINGE, Floor Console Lid
-5	55315 040AC	1							BIN, Storage
6	55315 041AC	1							LATCH, Armrest Lid
-7	55315 043AC	1							PLATE, Speaker
-8	55315 051AA	2							BUMPER, Glove Box Door
9	6032 723	2							SCREW, Self Tapping, M4.2x1.69x19.05
-10	6034 833	2							CLIP, Push, .164-7.5
11	#56038 743AC	1							SPEAKER, Sub Woofer
12	4746 305	1							CYLINDER, Console Lock
-13									SCREW, M6.3x1.81x30.0, (NOT SERVICED) (Not Serviced)
14	55315 050AA	1							MAT, Floor
15	55315 038AC	1							CUPHOLDER, Console
-16	0154 552	1							SCREW, Hex Head, .190-16x.625
17									CONSOLE, Floor
	5HF13 XDVAC	1							Gray
	5HF13 ZJ3AC	1							Khaki
-18									WIRING, Serviced in Kit, (NOT SERVICED) (Not Serviced)

JEEP WRANGLER (TJ)

SERIES  
H = Sport  
L = SE  
M = X  
P = Sahara  
S = Rubicon

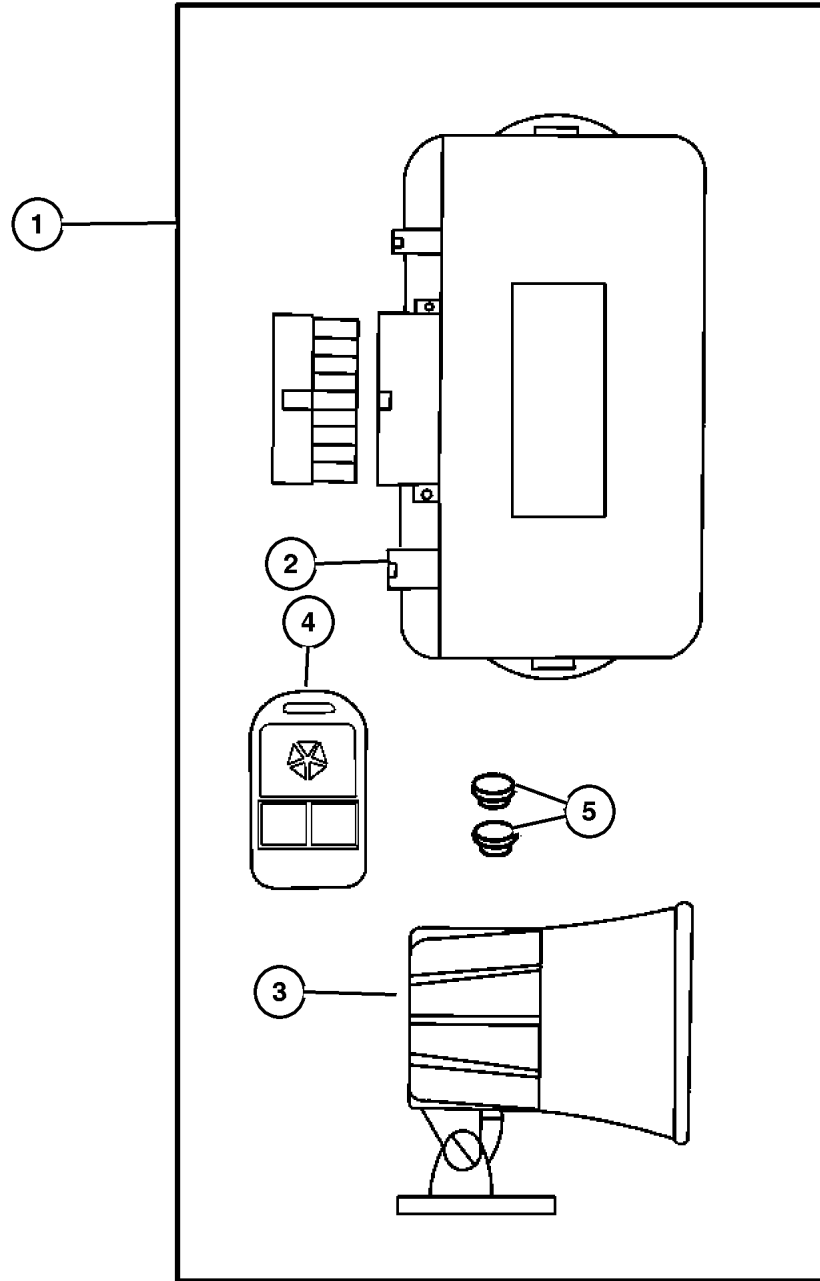
LINE  
J = Wrangler 4WD  
U = Wrangler 4WD (RHD)

BODY  
77 = 93.4 WB

ENGINE  
ED1, ED0 = 2.4L DOHC  
ERH = 4.0L Power Tech

TRANSMISSION  
DGG, DGD = 32RH 3 Spd Auto  
DDD = 5 Speed HD Manual  
DGO = Auto. Trans.  
DBB = Manual Trans.  
DDK = 5 Speed Manual

**Alarm - EVS Base System  
Figure 001-910**



ITEM	PART NUMBER	QTY	LINE	SERIES	BODY	ENGINE	TRANS	TRIM	DESCRIPTION
1	8220 3763	1							MODULE KIT, Alarm without Keyless
2	5012 164AA	1							MODULE, Security Alarm
3	8220 3198	1							SIREN, Alarm
4	4886 374AA	1							TRANSMITTER, Alarm or Keyless
5	4636 141	1							BATTERY, Transmitter
-6	4886 259AA	1							INDICATOR, Valet Status
-7	4886 258AA	1							SWITCH, Programing Bypass

**JEEP WRANGLER (TJ)**

SERIES	LINE	BODY	ENGINE	TRANSMISSION
H = Sport	J = Wrangler 4WD	77 = 93.4 WB	ED1, ED0 = 2.4L DOHC	DGG, DGD = 32RH 3 Spd Auto
L = SE	U = Wrangler 4WD (RHD)		ERH = 4.0L Power Tech	DDD = 5 Speed HD Manual
M = X				DG0 = Auto. Trans.
P = Sahara				DBB = Manual Trans.
S = Rubicon				DDK = 5 Speed Manual

AR = Use as required - = Non illustrated part # = New this model year

September 29, 2003

# Group – 002

## Front Suspension & Drive

### GROUP 2 - Front Suspension & Drive

Illustration Title

Group-Fig. No.

#### Front Suspension

Suspension, Front Spring with Control Arms and Track Bar ..... Fig. 002-110

Bar, Front Sway ..... Fig. 002-120

#### Front Axle Drive Shafts

Shafts, Front Axle ..... Fig. 002-210

#### Front Axle Housing

Housing,Front Axle,4 Wheel Drive ..... Fig. 002-310

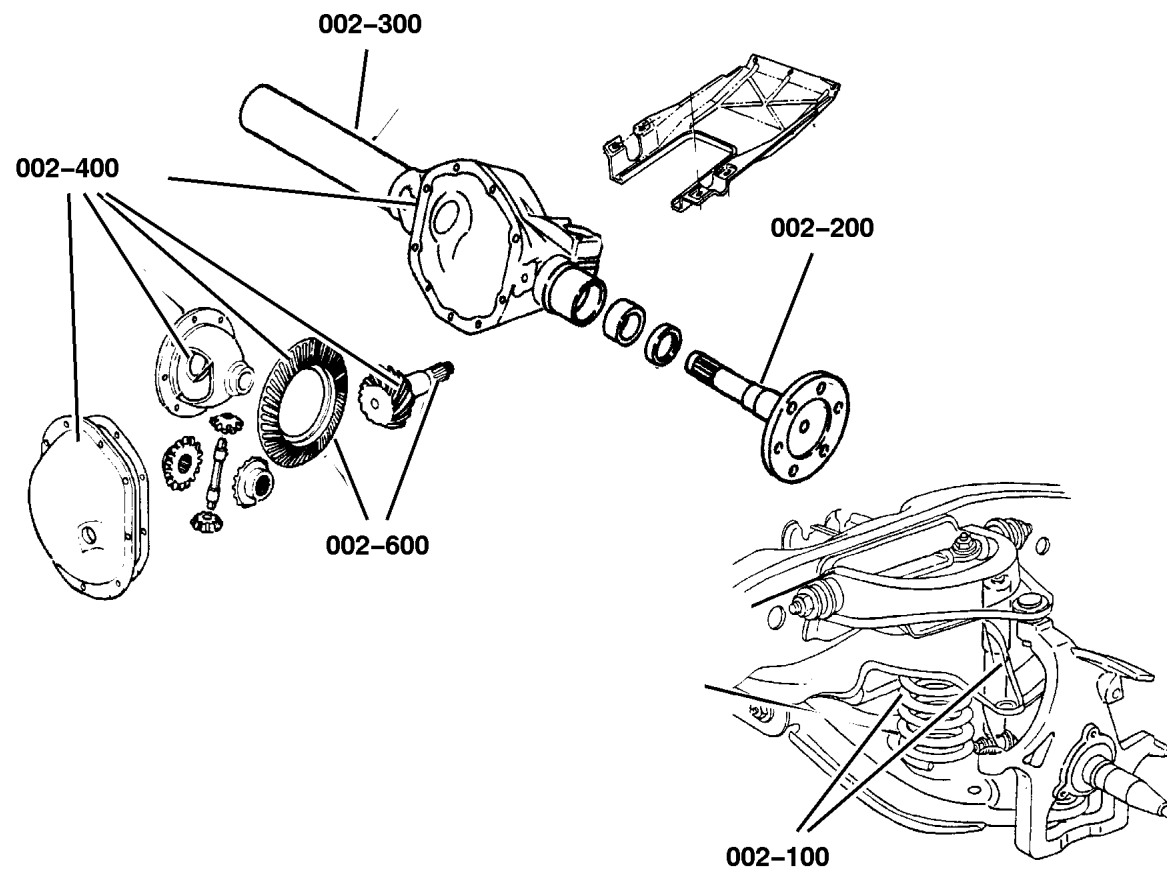
#### Front Axle Assembly



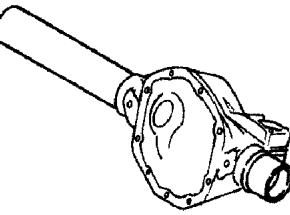
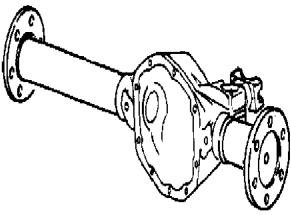
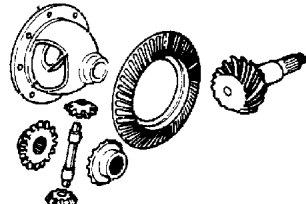
Axle Assembly,Front,4 Wheel Drive ..... Fig. 002-410

#### Front Axle Differential

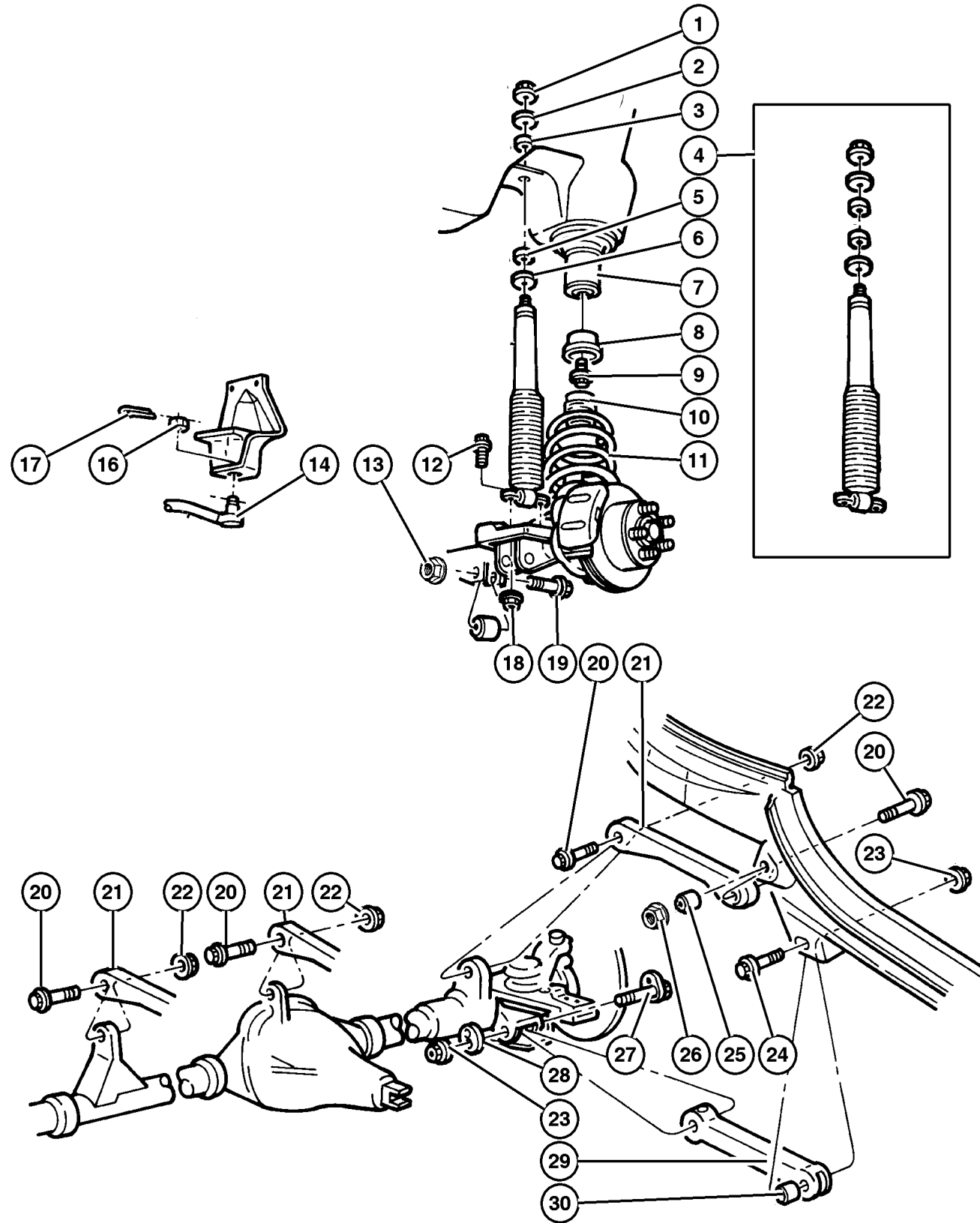
Differential,Front Axle,Without [DSE] ..... Fig. 002-610

Differential,Front Axle,With [DSE] ..... Fig. 002-620



<p><b>002-100</b> Front Suspension</p> 	<p><b>002-200</b> Front Axle Drive Shafts</p> 	<p><b>002-300</b> Front Axle Housing</p> 	<p><b>002-400</b> Front Axle Assembly</p> 
<p><b>002-600</b> Front Axle Differential</p> 			

## Suspension, Front Spring with Control Arms and Track Bar Figure 002-110



ITEM	PART NUMBER	QTY	LINE	SERIES	BODY	ENGINE	TRANS	TRIM	DESCRIPTION
Note: Sales Codes;									
[SDA]=Shock Absorbers - Gas Charged/Normal Duty									
[SDU]=Shocks - High Pressure Gas Charged									
[ZBE] Through [ZPJ]= Spring Sales Codes which will be found on Vehicle Identification Number [VIN] Sales Code Listing.									
1	6502 556	2							NUT, Hex, M10-1.5, Shock, Mounting
2	5200 5574	2							RETAINER, Shock Absorber, Shock, Mounting
3	5208 7768	2							GROMMET, Shock Absorber, Shock, Mounting
4									SHOCK ABSORBER PACKAGE, Suspension, Front
	4897 567AA	2							[SDA]
	#4886 533AI	2							[SDU]
5	5208 7769	2							GROMMET, Shock Absorber, Shock, Mounting
6	5200 5575	2							RETAINER, Shock Absorber, Shock, Mounting
7	5208 7767	2							ISOLATOR, Spring, Upper
8	5208 7635	2							CUP, Jounce Bumper
9	6100 402	2							BOLT, Hex Head, M10x35, Jounce Bumper Cup, Mounting
10	5208 7992	2							BUMPER, Jounce
11									SPRING, Front Coil
	52088 127AB	1							[ZBE,ZPE]
	52088 128AB	1							[ZBF,ZPF]
	52088 129AB	1							[ZBG,ZPG]
	52060 130AA	1							[ZBH,ZPH]
	#52060 131AA	1							[ZBJ,ZPJ]
12	6502 555	4							BOLT, M8x1.25x30, Shock, Mounting
13									NUT, Hex Flange Lock, M10x1.5
	6506 264AA	1	J						Track Bar To Axle, Mounting
	5208 7888	1	U						Track Bar To Axle, Mounting
14									BAR, Track
	5208 8432	1	J						
	5208 8430	1	U						
-15									BUSHING, Track Bar
	5208 8431	1	J						
		1	U						
16	6034 358	1							NUT, Hex, .50-20, Track Bar to Frame, Mounting
17									PIN, Cotter, M4x40.00, (NOT SERVICED) (Not Serviced)

### JEEP WRANGLER (TJ)

SERIES  
H = Sport  
L = SE  
M = X  
P = Sahara  
S = Rubicon

LINE  
J = Wrangler 4WD  
U = Wrangler 4WD (RHD)

BODY  
77 = 93.4 WB

ENGINE  
ED1, ED0 = 2.4L DOHC  
ERH = 4.0L Power Tech

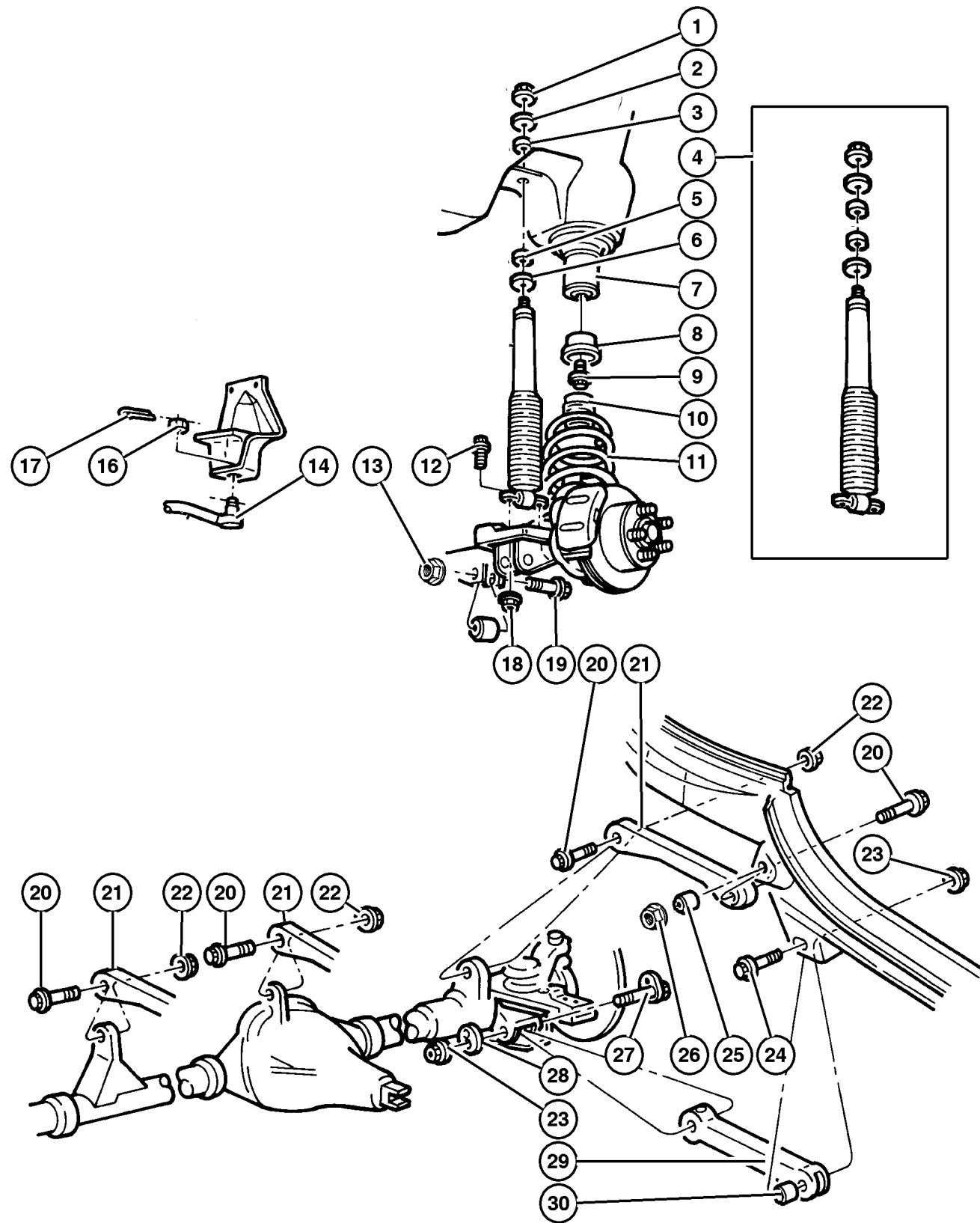
TRANSMISSION  
DGG, DGD = 32RH 3 Spd Auto  
DDD = 5 Speed HD Manual  
DGO = Auto. Trans.  
DBB = Manual Trans.  
DDK = 5 Speed Manual

AR = Use as required - = Non illustrated part # = New this model year

September 29, 2003



## Suspension, Front Spring with Control Arms and Track Bar Figure 002-110



ITEM	PART NUMBER	QTY	LINE	SERIES	BODY	ENGINE	TRANS	TRIM	DESCRIPTION
18	6101 695	4							NUT, Hex Flange Lock, Shock, Mounting
19	6505 549AA	1							SCREW, Track Bar To Axle, Mounting
20	6503 085	4							BOLT, Hex Flange Head, M10x1.50x78.20, UCA to Axle or Frame, Mounting
21	5208 7711	2							ARM, Control, with Bushings, Upper
22	1150 6007	2							NUT, Hex Flange, M10x1.5, UCA to Axle, Mounting
23	6502 698	2							NUT, Hex Flange Lock LCA to Frame, Mounting
24	6506 033AA	2							BOLT, Hex Flange Head, M14x2.0x105, LCA to Frame, Mounting
25	5208 7852	2							BUSHING, Control Arm, to Frame, Upper
26	6503 648	2							NUT AND RETAINER, Hex Flange Lock, m8x1.25, UCA to Frame, Mounting
27	6504 238	2							BOLT AND WASHER, Hex Head, M14 x 2.00 x 111.6, LCA to Axle, Mounting
28	6504 236	2							WASHER, M14, LCA to Axle, Mounting
29	5208 8654	2							ARM, Control, with Bushings, Lower
30	5208 8433	4							BUSHING, Control Arm, to Frame, Lower

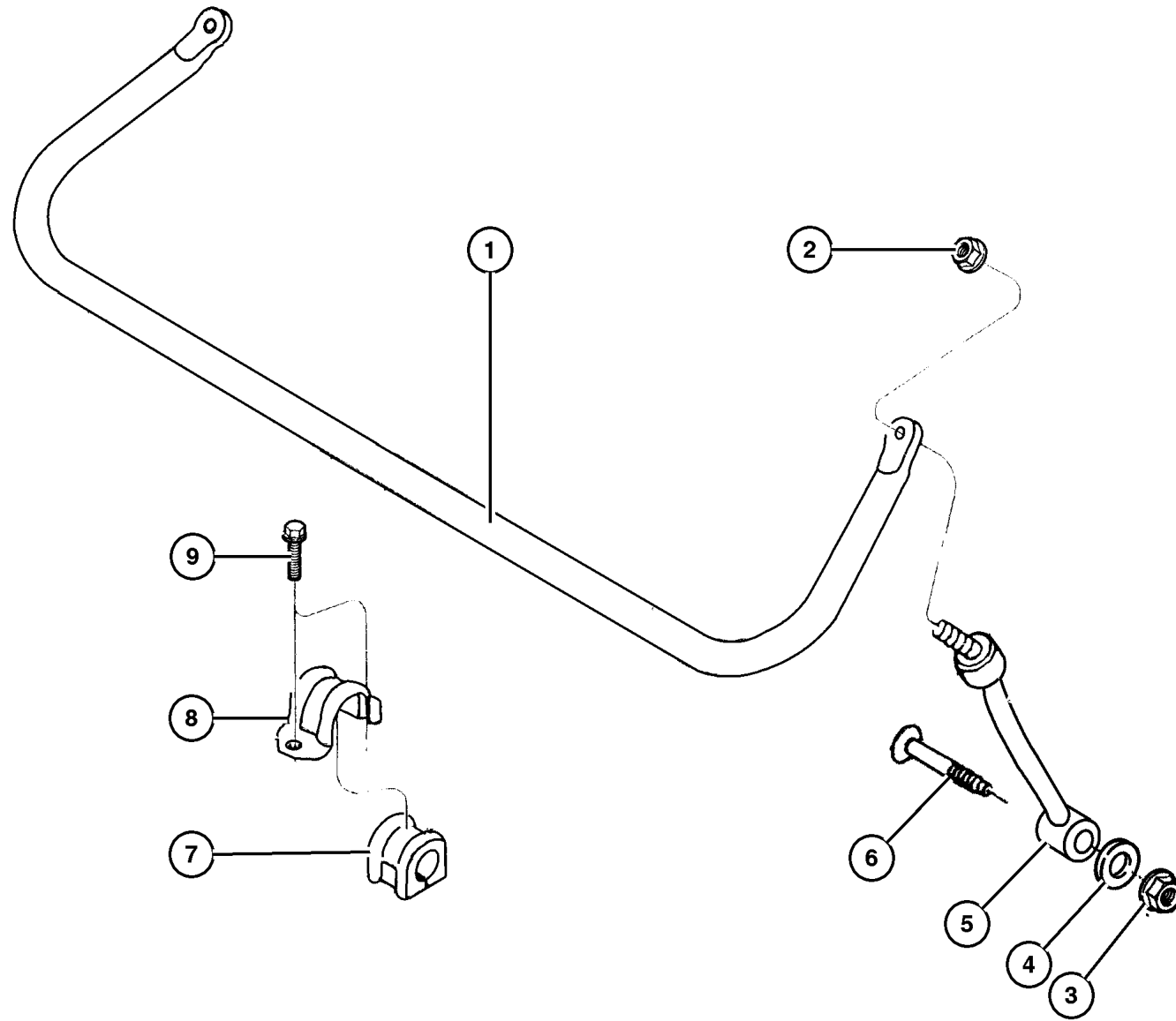
### JEEP WRANGLER (TJ)

SERIES	LINE	BODY	ENGINE	TRANSMISSION
H = Sport	J = Wrangler 4WD	77 = 93.4 WB	ED1, ED0 = 2.4L DOHC	DGG, DGD = 32RH 3 Spd Auto
L = SE	U = Wrangler 4WD (RHD)		ERH = 4.0L Power Tech	DDD = 5 Speed HD Manual
M = X				DG0 = Auto. Trans.
P = Sahara				DBB = Manual Trans.
S = Rubicon				DDK = 5 Speed Manual

AR = Use as required - = Non illustrated part # = New this model year

September 29, 2003

**Bar, Front Sway  
Figure 002-120**



ITEM	PART NUMBER	QTY	LINE	SERIES	BODY	ENGINE	TRANS	TRIM	DESCRIPTION
1	5208 7824	1							STABILIZER BAR, Front Suspension
2	6502 979	2							NUT AND WASHER, Hex, M10x1.5, Sway Bar to Link
3	6502 697	2							NUT, Hex Flange Lock, M12x1.75, Sway Bar Link To Axle
4									WASHER, ID 13.07 OD 40.00 THK 3.50 , (NOT SERVICED) (Not Serviced)
5	52087 771AB	2							LINK, Sway Eliminator, Sway Bar to Axle
6	6505 465AA	2							SCREW, Truss Head, M12x1.75x70, Sway Bar Link to Axle
7	5208 8378	2							BUSHING, Sway Bar
8	5203 7710	2							RETAINER, Sway Bar
9	6102 037AA	4							SCREW AND WASHER, Hex Head, M10x1.50x35, Sway Bar Retainer

**JEEP WRANGLER (TJ)**

SERIES	LINE	BODY	ENGINE	TRANSMISSION
H = Sport	J = Wrangler 4WD	77 = 93.4 WB	ED1, ED0 = 2.4L DOHC	DGG, DGD = 32RH 3 Spd Auto
L = SE	U = Wrangler 4WD (RHD)		ERH = 4.0L Power Tech	DDD = 5 Speed HD Manual
M = X				DG0 = Auto. Trans.
P = Sahara				DBB = Manual Trans.
S = Rubicon				DDK = 5 Speed Manual

AR = Use as required - = Non illustrated part # = New this model year

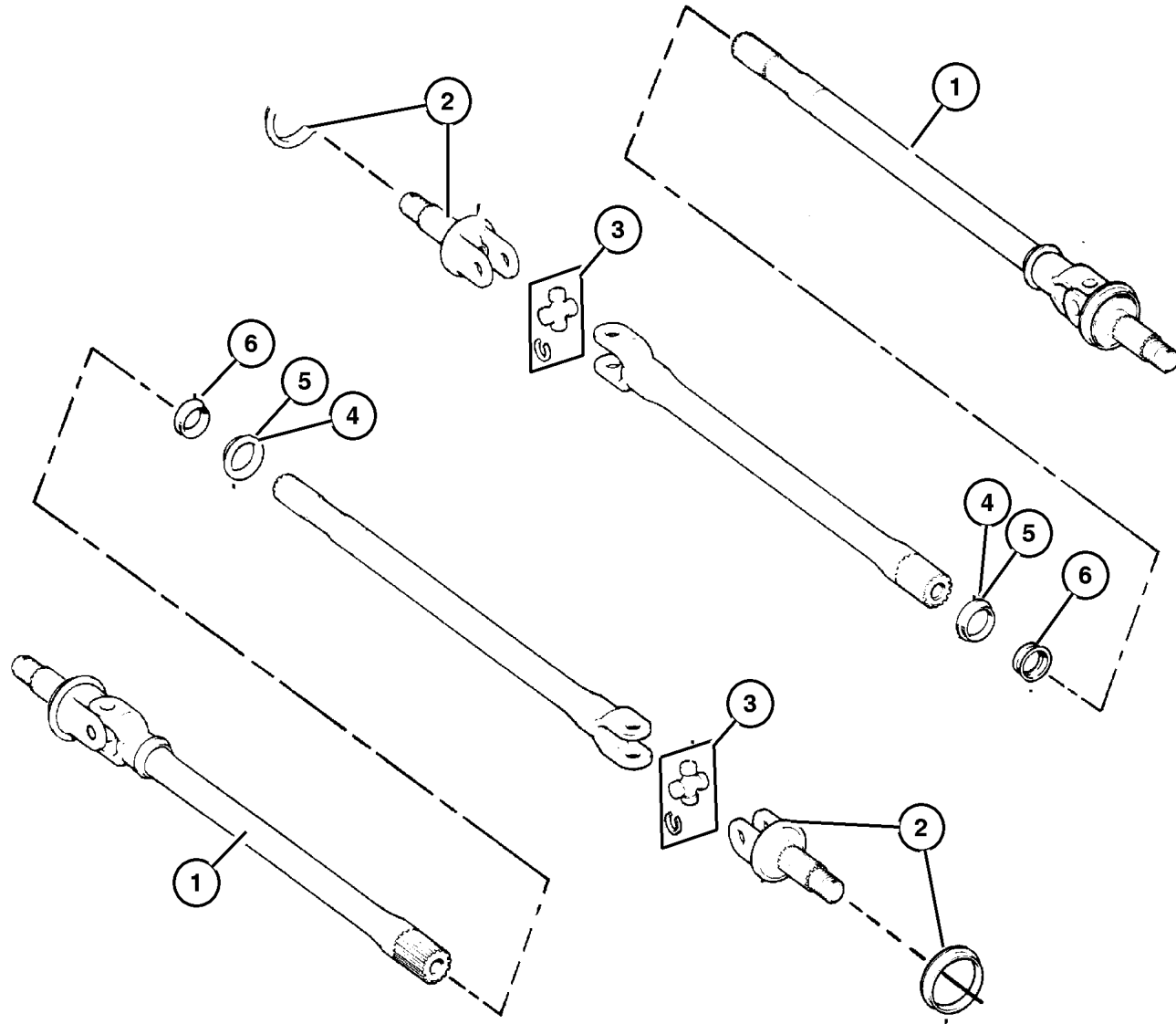
September 29, 2003

**Shafts, Front Axle  
Figure 002-210**

ITEM	PART NUMBER	QTY	LINE	SERIES	BODY	ENGINE	TRANS	TRIM	DESCRIPTION
------	-------------	-----	------	--------	------	--------	-------	------	-------------

Note:Sales Codes;  
[BGA]=Brakes - Power Front Disc/Rear Drum  
[BGK]=Brakes - 4-Wheel Anti-lock

1	4874 302	1	J						SHAFT, Axle [BGA], Right
	4874 303	1	J						[BGA], Left
	4874 306	1	J						[BGK], Right
	4874 307	1	J						[BGK], Left
	#5083 666AA	1	J						[BRW], Right
	#5083 667AA	1	J						[BRW], Left
	4874 302	1	U						Right
	4874 303	1	U						Left
2	8350 0184	1	J						SHAFT, Axle [BGA]
	4728 984	1	J						[BGK]
	8350 0184	1	U						[BGA]
3	4137 757	1	J						U JOINT, Front Axle [BGA]
	#5083 670AA	1	J						[BRW]
	4137 757	1	U						[BGA]
4	#5083 669AA	2	J						SLINGER, Front Axle Shaft, [BRW]
5	4882 135	2	J						SLINGER, Oil [BGA]
		2	U						[BGA]
6	4874 477	2	J						SEAL, Axle Drive Shaft [BGA]
	5014 852AA	2	J						[BRW]
	4874 477	2	U						[BGA]



**JEEP WRANGLER (TJ)**

SERIES	LINE	BODY	ENGINE	TRANSMISSION
H = Sport	J = Wrangler 4WD	77 = 93.4 WB	ED1, ED0 = 2.4L DOHC	DGG, DGD = 32RH 3 Spd Auto
L = SE	U = Wrangler 4WD (RHD)		ERH = 4.0L Power Tech	DDD = 5 Speed HD Manual
M = X				DG0 = Auto. Trans.
P = Sahara				DBB = Manual Trans.
S = Rubicon				DDK = 5 Speed Manual

AR = Use as required - = Non illustrated part # = New this model year

September 29, 2003

### Housing,Front Axle,4 Wheel Drive Figure 002-310

ITEM	PART NUMBER	QTY	LINE	SERIES	BODY	ENGINE	TRANS	TRIM	DESCRIPTION
------	-------------	-----	------	--------	------	--------	-------	------	-------------

Note: Sales Codes;

[DSE]=Axle - Trulok Differential

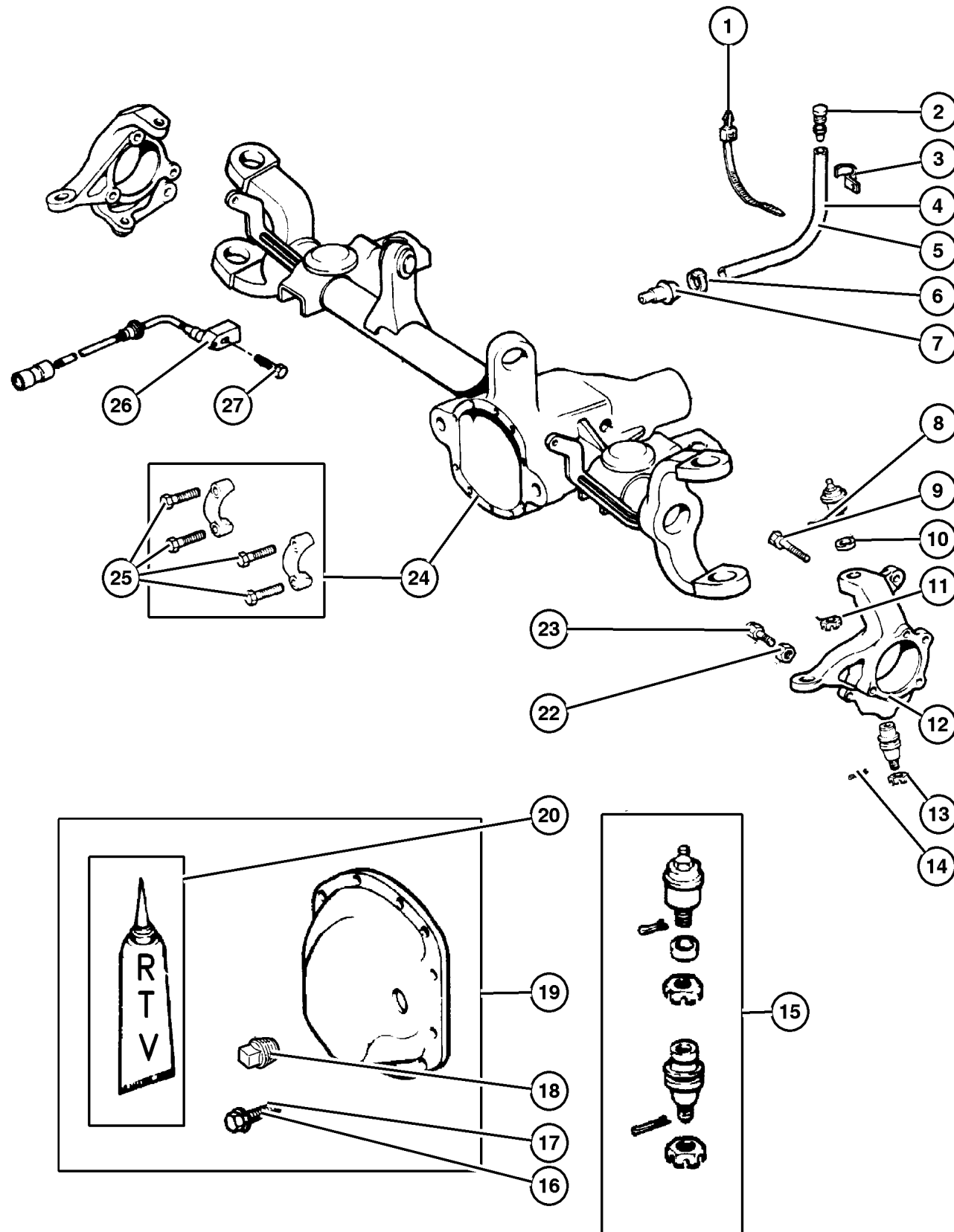
1	J417 5376	1							STRAP, Tie
2	J535 2955	1							VENT, Axle, Upper
3	J014 0780	1							CLIP, Wrap Around, Upper
4	HFV0 0516	1							HOSE, Fuel And Vapor, 25 Foot Roll 5/16", Axle Vent
5	#5083 664AA	1	J						HOSE, Axle Vent, For Pump Hose Connection
6	6503 573	1							CLIP, Axle Vent Hose, Lower
7	8350 4653	1	J						VENT, Axle Lower
	5017 482AA	1	J						With [DSE], Lower
	#5083 663AB	1	J						With [DSE] Nipple For Pump Hose Connection, Lower
	8350 4653	1	U						Lower
8	1101 0069	2	J						PIN, Cotter, M4x40.00
		2	U						Upper Ball Joint, Mounting
9	3420 1535	6	J						BOLT Knuckle to Hub and Bearing, Mounting
		6	U						Knuckle to Hub and Bearing, Mounting
10									RING, Ball Joint
	8350 0203	1	J						
		1	U						
11	J012 5258	1	J						NUT, Steering Knuckle Socket Upper Ball Joint, Mounting
		1	U						Upper Ball Joint, Mounting
12									KNUCKLE, Front
	5206 7576	1	J						Right
	5206 7577	1	J						Left
	5206 7576	1	U						Right
	5206 7577	1	U						Left
13	J812 3318	1	J						NUT Lower Ball Joint, Mounting
		1	U						Lower Ball Joint, Mounting
14	1101 0069	2	J						PIN, Cotter, M4x40.00
		2	U						Lower Ball Joint, Mounting
15									BALL JOINT KIT, Knuckle

**JEEP WRANGLER (TJ)**

SERIES	LINE	BODY	ENGINE	TRANSMISSION
H = Sport	J = Wrangler 4WD	77 = 93.4 WB	ED1, ED0 = 2.4L DOHC	DGG, DGD = 32RH 3 Spd Auto
L = SE	U = Wrangler 4WD (RHD)		ERH = 4.0L Power Tech	DDD = 5 Speed HD Manual
M = X				DG0 = Auto. Trans.
P = Sahara				DBB = Manual Trans.
S = Rubicon				DDK = 5 Speed Manual

AR = Use as required - = Non illustrated part # = New this model year

September 29, 2003



### Housing,Front Axle,4 Wheel Drive Figure 002-310

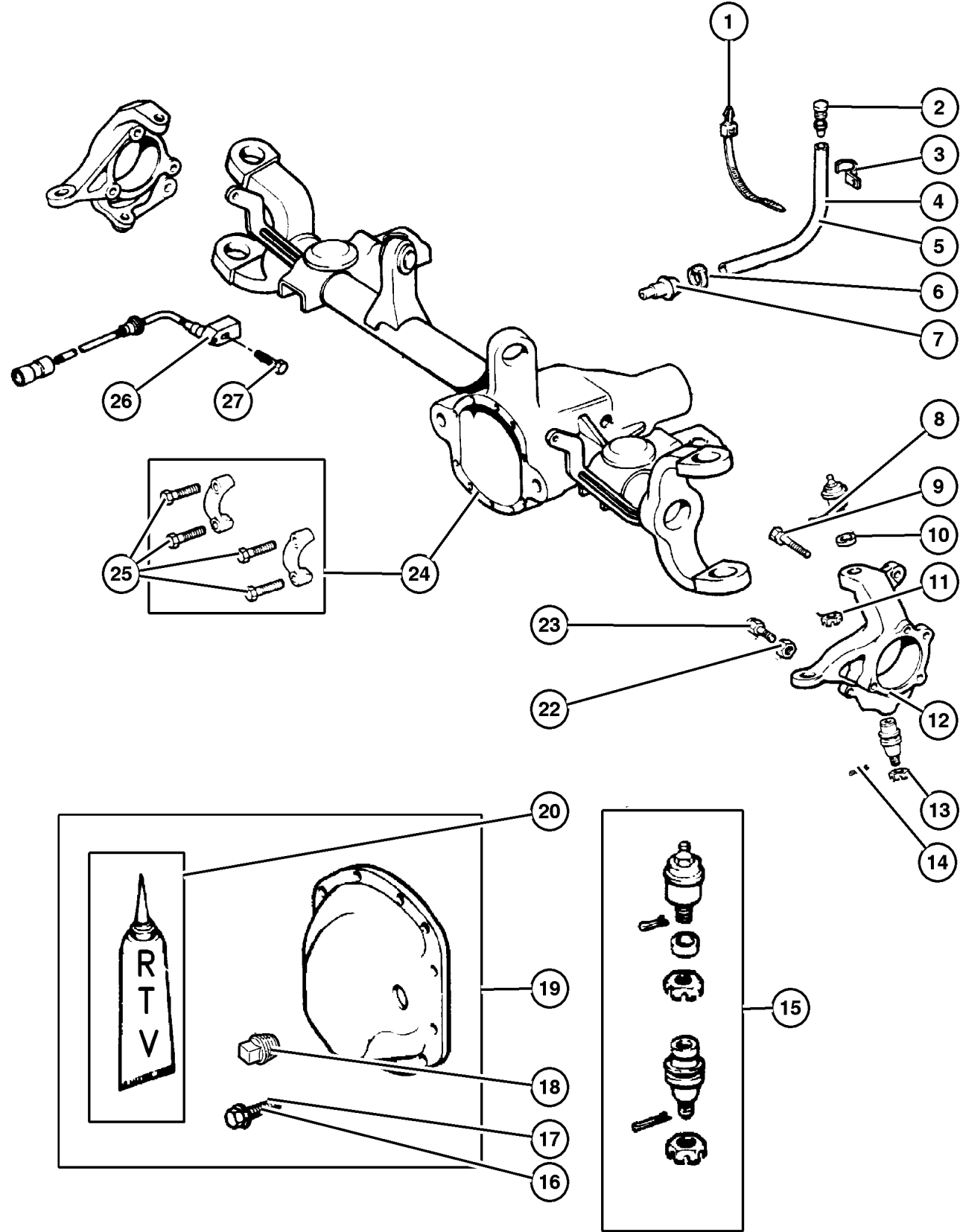
ITEM	PART NUMBER	QTY	LINE	SERIES	BODY	ENGINE	TRANS	TRIM	DESCRIPTION
	8350 0202	2	J						
16	J400 6708	10	J						SCREW, Pan Head, .312-18x.56, Differential Cover
17									BOLT, Differential Cover
18	2954 031	10	J						PLUG, Differential Cover
	J400 4751	1	J						With [DSE]
19	3640 792	1	J						COVER, Differential
	J400 4751	1	U						
	4713 451	1	J						With [DSE]
20	#5083 661AA	1	J						SEALANT, RTV
	4713 451	1	U						
	5010 884AA	1	J						
-21		1	U						WASHER, Flat Stop Bolt Spacer
	5083 358AA	4	J						
		4	U						
22	S011 4494	2	J						NUT, Steering Knuckle Stop Bolt, Mounting
		2	U						Stop Bolt, Mounting
23									BOLT, Steering Knuckle Stop
	1791 701	2	J						
		2	U						
24									HOUSING, Axle
	4864 840AB	1	J						With [DSE]
	5083 660AA	1	J						
	4864 904AB	1	U						
25									BOLT, Differential
	4897 482AB	4	J						With [DSE]
	5003 648AA	4	J						
	4897 482AB	1	U						
26	5602 7727	2	J						SENSOR, Anti-Lock Brakes
27	5016 372AA	1	J						BOLT, Sensor, Mounting
-28	#5083 668AA	1	J						BRACKET, Wire Harness

**JEEP WRANGLER (TJ)**

SERIES	LINE	BODY	ENGINE	TRANSMISSION
H = Sport	J = Wrangler 4WD	77 = 93.4 WB	ED1, ED0 = 2.4L DOHC	DGG, DGD = 32RH 3 Spd Auto
L = SE	U = Wrangler 4WD (RHD)		ERH = 4.0L Power Tech	DDD = 5 Speed HD Manual
M = X				DG0 = Auto. Trans.
P = Sahara				DBB = Manual Trans.
S = Rubicon				DDK = 5 Speed Manual

AR = Use as required - = Non illustrated part # = New this model year

September 29, 2003



**Axle Assembly,Front,4 Wheel Drive  
Figure 002-410**

ITEM	PART NUMBER	QTY	LINE	SERIES	BODY	ENGINE	TRANS	TRIM	DESCRIPTION
------	-------------	-----	------	--------	------	--------	-------	------	-------------

Note: Sales Codes;

[BGA]=Brakes - Power Front Disc/Rear Drum

[BRW]=Brakes - 4 Wheel Disc

[DJC]=Axle,Front,Heavy Duty Dana M44/216MM

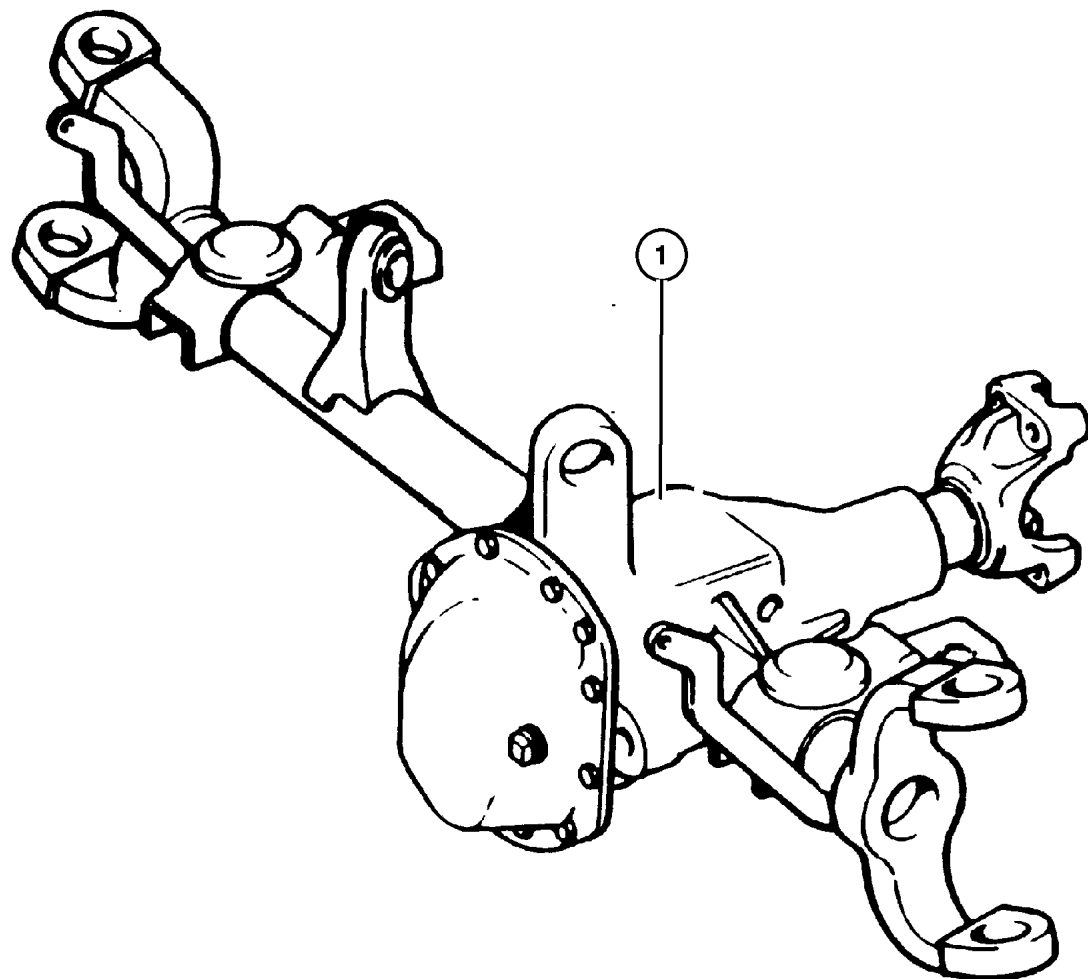
[DME]=Axle Ratio - 3.73

[DMF]=Axle Ratio - 4.10

[DMM]=Axle Ratio - 3.07

[DMU]=Axle Ratio - 4.56

[DSE]=Axle - Trulok Differential



1									AXLE, Service Front
	4864 852AB	1	J						[DMM] With Tag 52099198AE, 52099227AF
	4864 841AC	1	J						[DME] With Tag 52099200AE, 52111033AF
	4864 910AB	1	J						[DMF] With Tag 52099226AE
	#5083 662AB	1	J						[DMF,BRW,DSE,DJC] With Tag 52104434AC
	#5086 618AA	1	J						[DMU] With Tag 52104675AB
	4882 155AB	1	U						[DMM] With Tag 52099454AF
	4882 337AB	1	U						[DME] With Tag 52099450AF

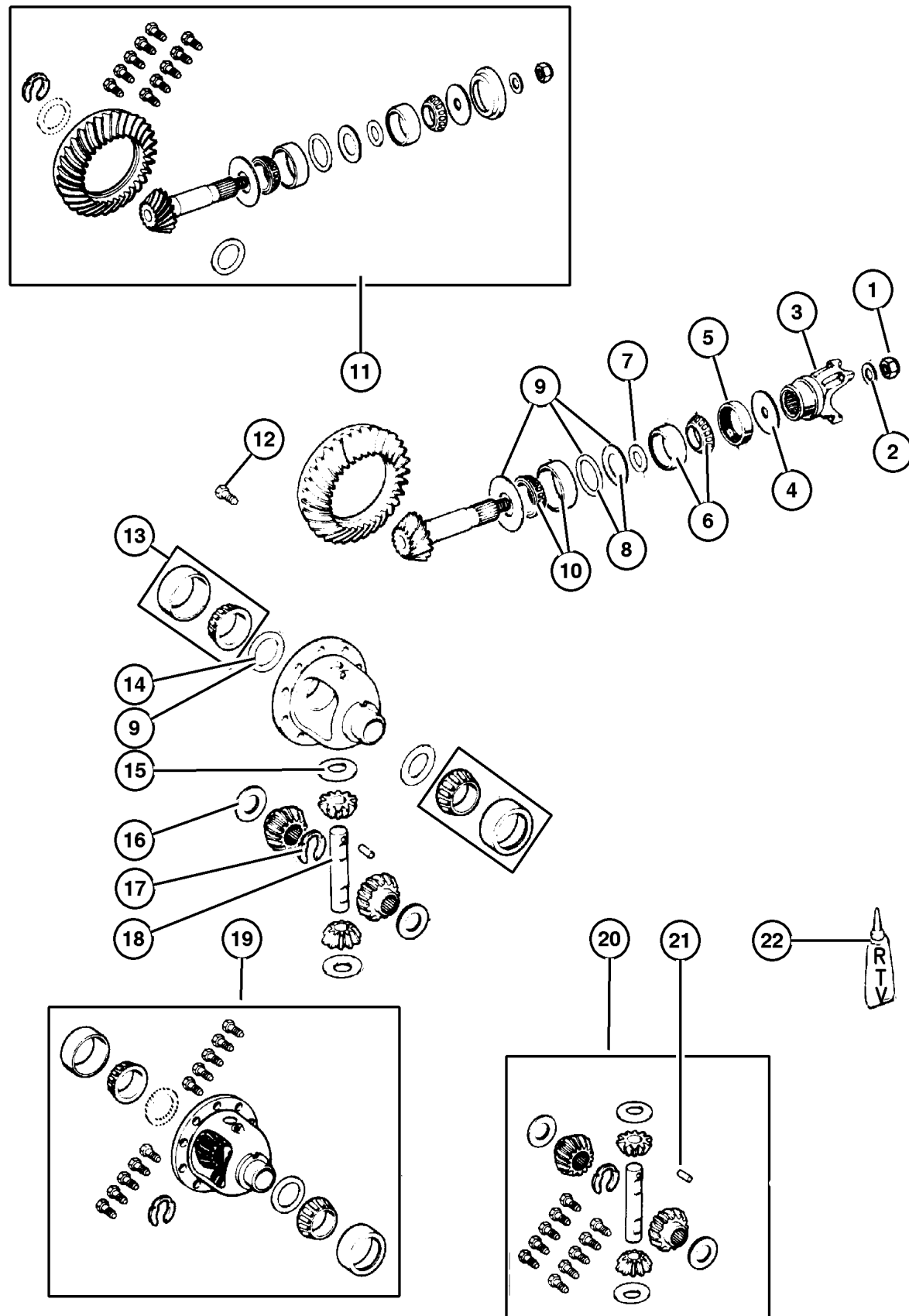
**JEEP WRANGLER (TJ)**

SERIES	LINE	BODY	ENGINE	TRANSMISSION
H = Sport	J = Wrangler 4WD	77 = 93.4 WB	ED1, ED0 = 2.4L DOHC	DGG, DGD = 32RH 3 Spd Auto
L = SE	U = Wrangler 4WD (RHD)		ERH = 4.0L Power Tech	DDD = 5 Speed HD Manual
M = X				DG0 = Auto. Trans.
P = Sahara				DBB = Manual Trans.
S = Rubicon				DDK = 5 Speed Manual

AR = Use as required - = Non illustrated part # = New this model year

September 29, 2003

Differential, Front Axle, Without [DSE]  
Figure 002-610



ITEM	PART NUMBER	QTY	LINE	SERIES	BODY	ENGINE	TRANS	TRIM	DESCRIPTION
Note: Sales Codes;									
[DME]=Axle Ratio - 3.73									
[DMF]=Axle Ratio - 4.10									
[DMM]=Axle Ratio - 3.07									
[DMU]=Axle Ratio - 4.56									
[DSE]=Axle - Trulok Differential									
1									NUT, Pinion Yoke
	1791 575	1	J						
		1	U						
2									WASHER, Pinion Yoke
	1791 576	1	J						
		1	U						
3									YOKE, Axle
	8350 3388	1	J						
		1	U						
4									SLINGER, Drive Pinion
	4031 974	1	J						
		1	U						
5									SEAL, Drive Pinion
	5072 473AA	1	J						
		1	U						
6									BEARING, Drive Pinion Bearing and Cup, Front Bearing and Cup, Front
	5252 508	1	J						
		1	U						
7									SPACER Crush Crush
	4864 845AB	1	J						
		1	U						
8									SHIM, Drive Pinion Bearing
	5017 139AA	1	J						[.052"]
	5017 143AA	1	U						[.056"]
	5017 144AA	1	J						[.057"]
		1	U						[.057"]
	5017 145AA	1	J						[.058"]
		1	U						[.058"]
	5017 146AA	1	J						[.059"]
		1	U						[.059"]
	5017 149AA	1	J						[.060"]
		1	U						[.060"]
	5017 150AA	1	J						[.061"]
	5017 139AA	1	U						[.052"]
	5017 150AA	1	U						[.061"]

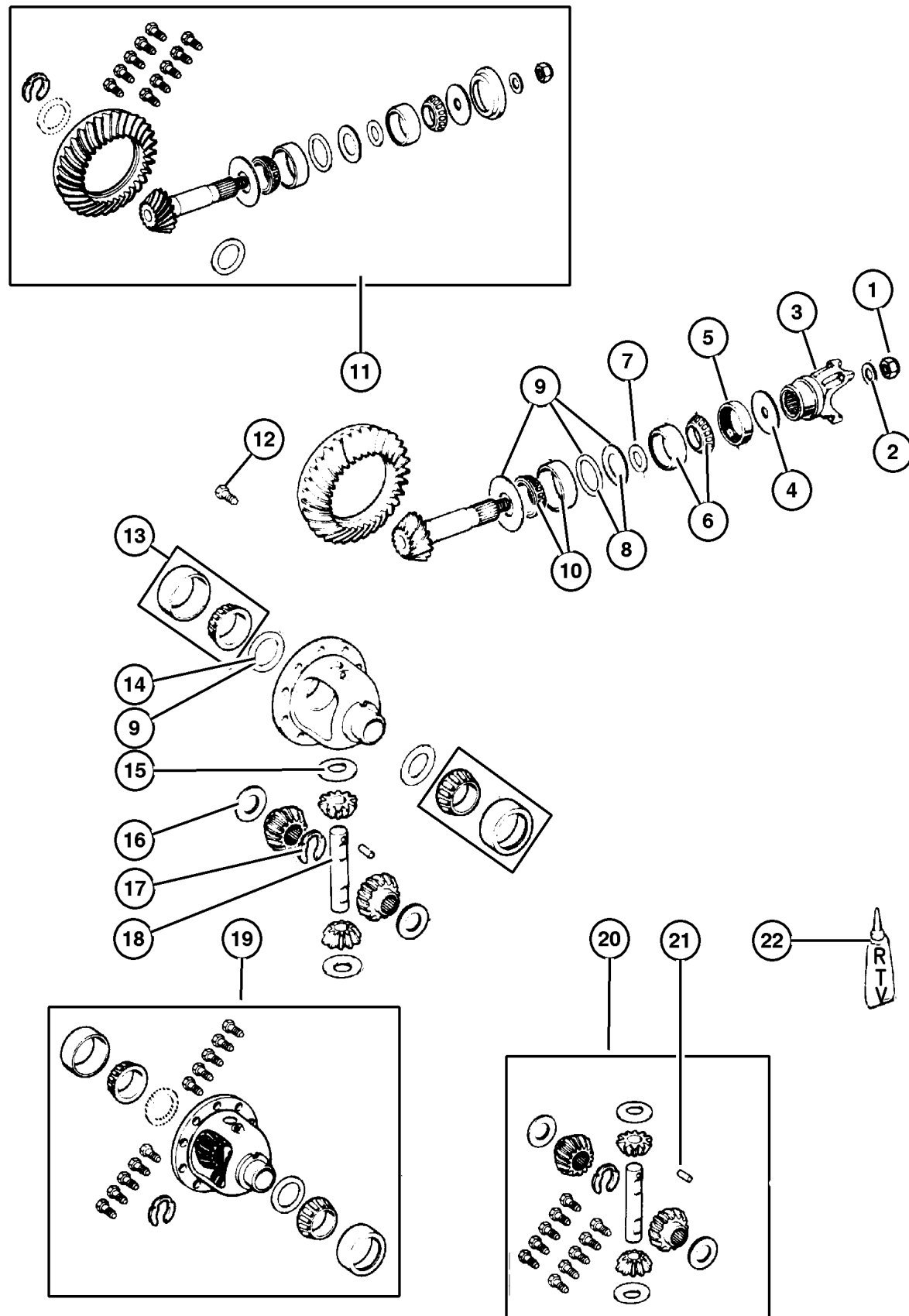
JEEP WRANGLER (TJ)

SERIES	LINE	BODY	ENGINE	TRANSMISSION
H = Sport	J = Wrangler 4WD	77 = 93.4 WB	ED1, ED0 = 2.4L DOHC	DGG, DGD = 32RH 3 Spd Auto
L = SE	U = Wrangler 4WD (RHD)		ERH = 4.0L Power Tech	DDD = 5 Speed HD Manual
M = X				DG0 = Auto. Trans.
P = Sahara				DBB = Manual Trans.
S = Rubicon				DDK = 5 Speed Manual

AR = Use as required - = Non illustrated part # = New this model year

September 29, 2003

Differential, Front Axle, Without [DSE]  
Figure 002-610



ITEM	PART NUMBER	QTY	LINE	SERIES	BODY	ENGINE	TRANS	TRIM	DESCRIPTION
	5017 151AA	1	J						[.062"]
		1	U						[.062"]
	5017 152AA	1	J						[.063"]
		1	U						[.063"]
	5017 153AA	1	J						[.064"]
		1	U						[.064"]
	5017 154AA	1	J						[.065"]
		1	U						[.065"]
	5017 155AA	1	J						[.066"]
	5017 140AA	1	J						[.053"]
	5017 155AA	1	U						[.066"]
	5017 156AA	1	J						[.067"]
		1	U						[.067"]
	5017 140AA	1	U						[.053"]
	5017 141AA	1	J						[.054"]
		1	U						[.054"]
	5017 142AA	1	J						[.055"]
		1	U						[.055"]
	5017 143AA	1	J						[.056"]
9									SHIM KIT, Differential Contains Items 8,14
	5017 134AA	1	J						Contains Items 8,14
		1	U						Contains Items 8,14
10									BEARING, Drive Pinion Bearing and Cup, Rear Bearing and Cup, Rear
	J812 6499	1	J						
		1	U						
11									GEAR KIT, Ring And Pinion
	5073 246AA	1	J						[DME]
	5073 247AA	1	J						[DMF]
	5072 997AB	1	J						[DMM]
	#5086 617AA	1	J						[DMU]
	5073 246AA	1	U						[DME]
	5072 997AB	1	U						[DMM]
12									SCREW, Drive Gear
	5252 503	10	J						
		10	U						
13									BEARING, Differential Consist of 2 Bearings and 2 Cups
	J812 6500	1	J						Consist of 2 Bearings and 2 Cups
		1	U						Consist of 2 Bearings and 2 Cups
14									SHIM, Differential Bearing
	5017 218AA	1	J						[.109"]
	5017 222AA	1	U						[.113"]

JEEP WRANGLER (TJ)

SERIES  
H = Sport  
L = SE  
M = X  
P = Sahara  
S = Rubicon

LINE  
J = Wrangler 4WD  
U = Wrangler 4WD (RHD)

BODY  
77 = 93.4 WB

ENGINE  
ED1, ED0 = 2.4L DOHC  
ERH = 4.0L Power Tech

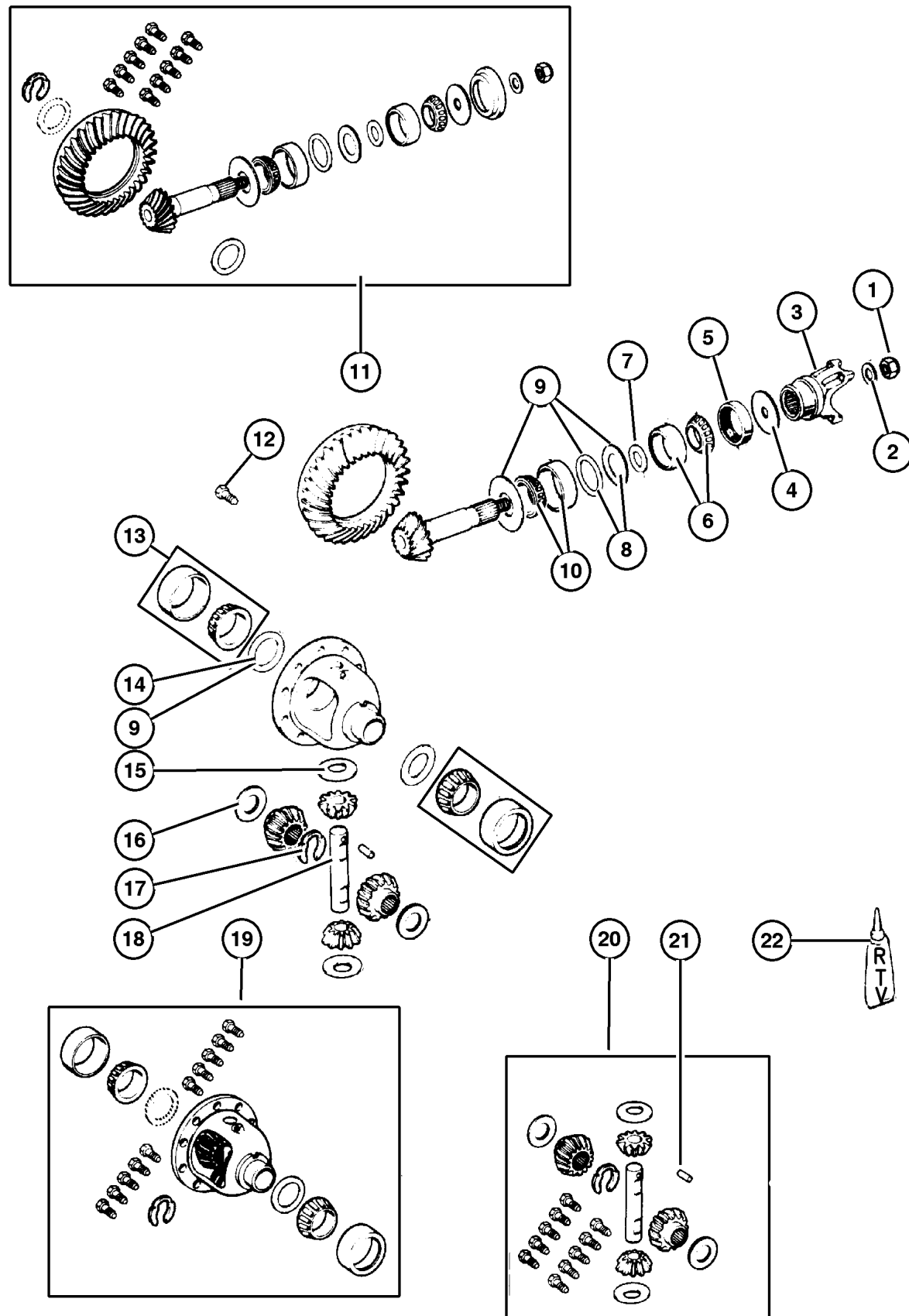
TRANSMISSION  
DGG, DGD = 32RH 3 Spd Auto  
DDD = 5 Speed HD Manual  
DGO = Auto. Trans.  
DBB = Manual Trans.  
DDK = 5 Speed Manual

AR = Use as required - = Non illustrated part # = New this model year

September 29, 2003



**Differential,Front Axle,Without [DSE]  
Figure 002-610**



ITEM	PART NUMBER	QTY	LINE	SERIES	BODY	ENGINE	TRANS	TRIM	DESCRIPTION
	5017 223AA	1	J						[.114"]
		1	U						[.114"]
	5017 224AA	1	J						[.115"]
		1	U						[.115"]
	5017 225AA	1	J						[.116"]
		1	U						[.116"]
	5017 226AA	1	J						[.117"]
		1	U						[.117"]
	5017 227AA	1	J						[.118"]
	5017 218AA	1	U						[.109"]
	5017 227AA	1	U						[.118"]
	5017 228AA	1	J						[.119"]
		1	U						[.119"]
	5017 229AA	1	J						[.120"]
		1	U						[.120"]
	5017 230AA	1	J						[.121"]
		1	U						[.121"]
	5017 231AA	1	J						[.122"]
		1	U						[.122"]
	5017 232AA	1	J						[.123"]
	5017 219AA	1	J						[.110"]
	5017 232AA	1	U						[.123"]
	5017 233AA	1	J						[.124"]
		1	U						[.124"]
	5017 234AA	1	J						[.125"]
		1	U						[.125"]
	5017 235AA	1	J						[.126"]
		1	U						[.126"]
	5017 236AA	1	J						[.127"]
		1	U						[.127"]
	5017 237AA	1	J						[.128"]
	5017 219AA	1	U						[.110"]
	5017 237AA	1	U						[.128"]
	5017 238AA	1	J						[.129"]
		1	U						[.129"]
	5017 239AA	1	J						[.130"]
		1	U						[.130"]
	5017 240AA	1	J						[.131"]
		1	U						[.131"]
	5017 241AA	1	J						[.132"]
		1	U						[.132"]

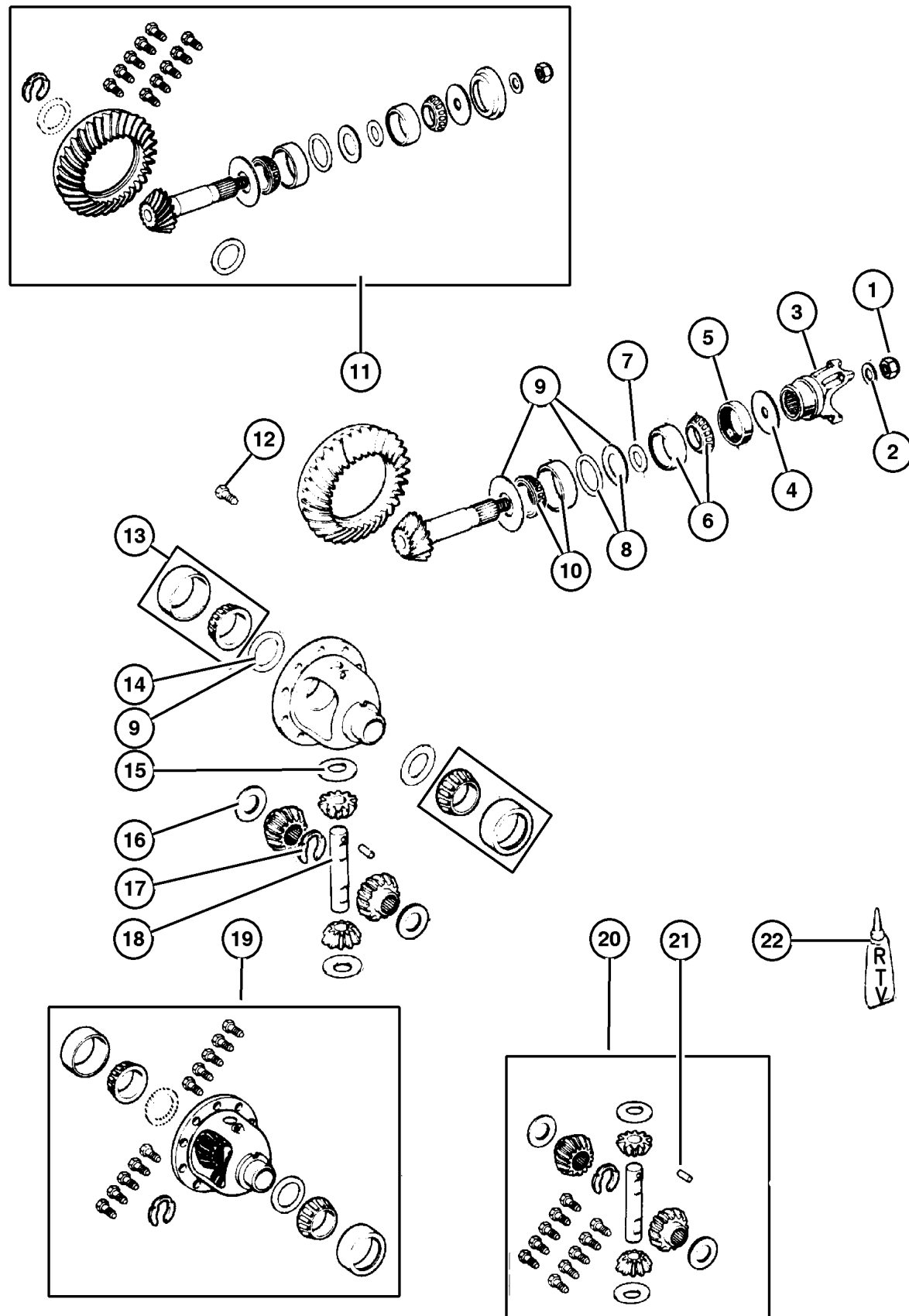
**JEEP WRANGLER (TJ)**

<b>SERIES</b>	<b>LINE</b>	<b>BODY</b>	<b>ENGINE</b>	<b>TRANSMISSION</b>
H = Sport	J = Wrangler 4WD	77 = 93.4 WB	ED1, ED0 = 2.4L DOHC	DGG, DGD = 32RH 3 Spd Auto
L = SE	U = Wrangler 4WD (RHD)		ERH = 4.0L Power Tech	DDD = 5 Speed HD Manual
M = X				DG0 = Auto. Trans.
P = Sahara				DBB = Manual Trans.
S = Rubicon				DDK = 5 Speed Manual

AR = Use as required - = Non illustrated part # = New this model year

September 29, 2003

Differential, Front Axle, Without [DSE]  
Figure 002-610



ITEM	PART NUMBER	QTY	LINE	SERIES	BODY	ENGINE	TRANS	TRIM	DESCRIPTION
	5017 242AA	1	J						[.133"]
	5017 220AA	1	J						[.111"]
	5017 242AA	1	U						[.133"]
	5017 243AA	1	J						[.134"]
		1	U						[.134"]
	5017 244AA	1	J						[.135"]
		1	U						[.135"]
	5017 245AA	1	J						[.136"]
		1	U						[.136"]
	5017 246AA	1	J						[.137"]
		1	U						[.137"]
	5017 247AA	1	J						[.138"]
	5017 220AA	1	U						[.111"]
	5017 247AA	1	U						[.138"]
	5017 248AA	1	J						[.139"]
		1	U						[.139"]
	5017 249AA	1	J						[.140"]
		1	U						[.140"]
	5017 250AA	1	J						[.141"]
		1	U						[.141"]
	5017 251AA	1	J						[.142"]
		1	U						[.142"]
	5017 252AA	1	J						[.143"]
	5017 221AA	1	J						[.112"]
	5017 252AA	1	U						[.143"]
	5017 253AA	1	J						[.144"]
		1	U						[.144"]
	5017 254AA	1	J						[.145"]
		1	U						[.145"]
	5017 255AA	1	J						[.146"]
		1	U						[.146"]
	5017 256AA	1	J						[.147"]
		1	U						[.147"]
	5017 257AA	1	J						[.148"]
	5017 221AA	1	U						[.112"]
	5017 257AA	1	U						[.148"]
	5017 222AA	1	J						[.113"]
15									WASHER, Pinion Gear Thrust
	J812 0831	2	J						Thrust
		2	U						Thrust
16									WASHER, Side Gear

JEEP WRANGLER (TJ)

SERIES  
H = Sport  
L = SE  
M = X  
P = Sahara  
S = Rubicon

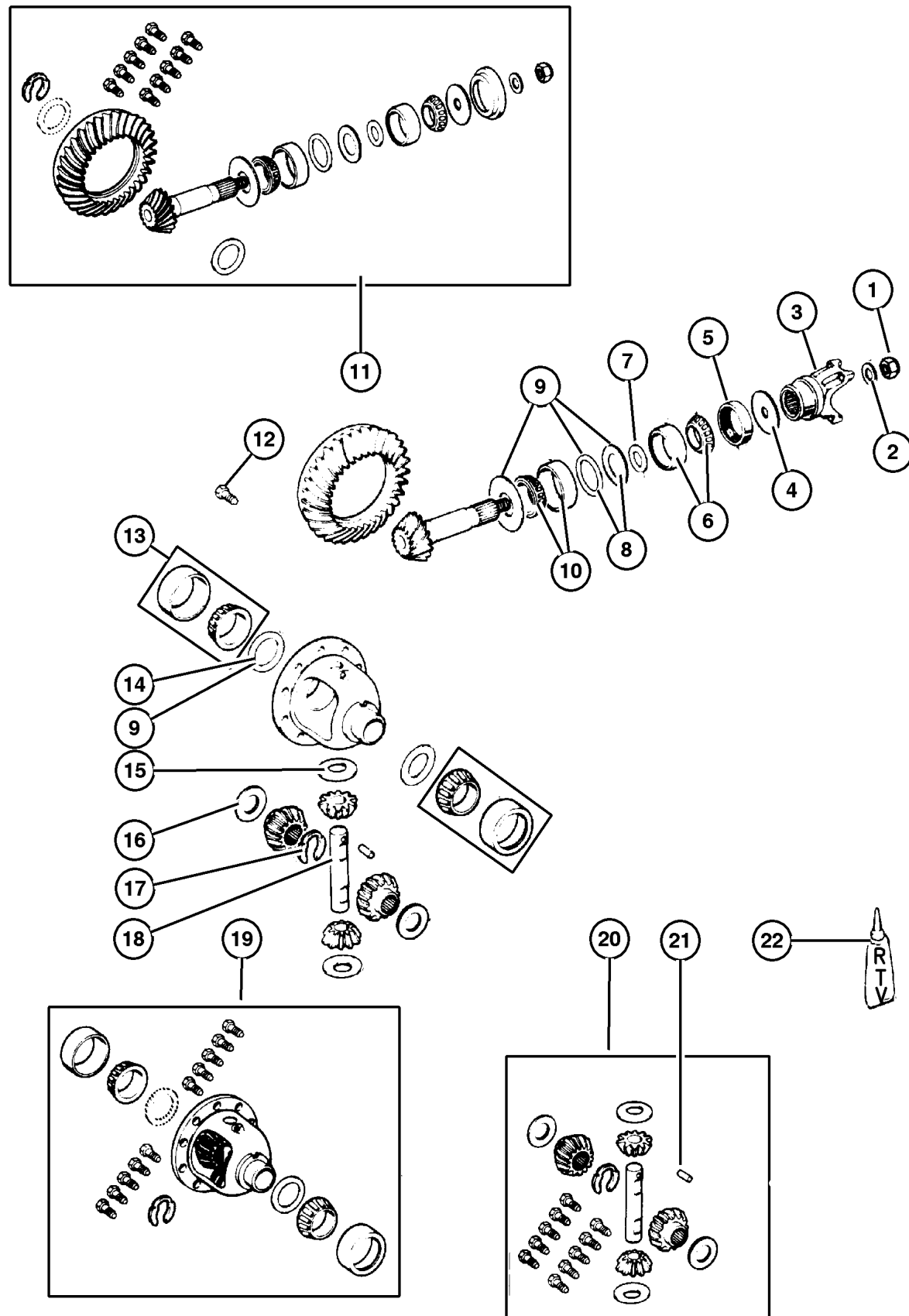
LINE  
J = Wrangler 4WD  
U = Wrangler 4WD (RHD)

BODY  
77 = 93.4 WB

ENGINE  
ED1, ED0 = 2.4L DOHC  
ERH = 4.0L Power Tech

TRANSMISSION  
DGG, DGD = 32RH 3 Spd Auto  
DDD = 5 Speed HD Manual  
DGO = Auto. Trans.  
DBB = Manual Trans.  
DDK = 5 Speed Manual

Differential,Front Axle,Without [DSE]  
Figure 002-610



ITEM	PART NUMBER	QTY	LINE	SERIES	BODY	ENGINE	TRANS	TRIM	DESCRIPTION
	J813 3724	2	J						Thrust
		2	U						Thrust
17	4137 739	2	J						SNAP RING, Front Axle Shaft
		2	U						
18	5003 840AA	1	J						SHAFT, Differential
		1	U						
19	5252 590	1	J						CASE, Differential
	5252 582	1	J						[DME,DMF,DMU]
	5252 590	1	U						[DMM]
	5252 582	1	U						[DME]
		1	U						[DMM]
20	5252 591	1	J						GEAR KIT, Center Differential
		1	U						
21	1791 563	1	J						PIN, Differential Shaft
		1	U						
22	5010 884AA	1	J						SEALANT, RTV
		1	U						

JEEP WRANGLER (TJ)

SERIES  
H = Sport  
L = SE  
M = X  
P = Sahara  
S = Rubicon

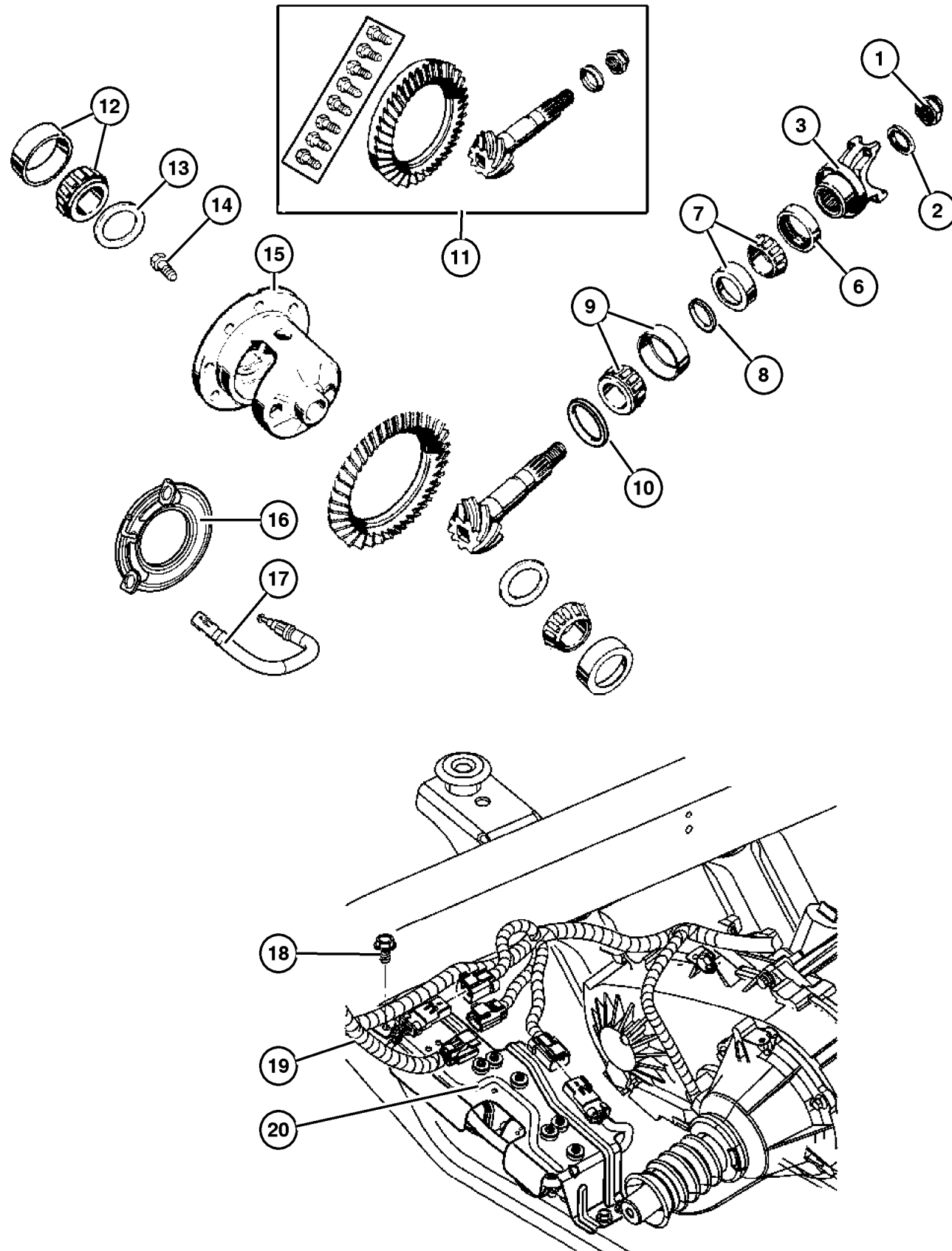
LINE  
J = Wrangler 4WD  
U = Wrangler 4WD (RHD)

BODY  
77 = 93.4 WB

ENGINE  
ED1, ED0 = 2.4L DOHC  
ERH = 4.0L Power Tech

TRANSMISSION  
DGG, DGD = 32RH 3 Spd Auto  
DDD = 5 Speed HD Manual  
DG0 = Auto. Trans.  
DBB = Manual Trans.  
DDK = 5 Speed Manual

**Differential,Front Axle,With [DSE]  
Figure 002-620**



ITEM	PART NUMBER	QTY	LINE	SERIES	BODY	ENGINE	TRANS	TRIM	DESCRIPTION
Note:Sales Codes;									
[DMF]=Axle Ratio - 4.11									
[DSE]=Axle - Trulok Differential									
1	5017 755AA	1	J						NUT, Pinion Yoke
2									WASHER, Pinion Yoke, (NOT REQUIRED)
3	4797 689	1	J						YOKE, Axle
-4	5012 453AA	1	J						O RING, Pinion Flange, Fits on Hub of Axle Yoke
-5	4031 974	1	J						SLINGER, Drive Pinion
6	5066 446AA	1	J						SEAL, Drive Pinion
7	J812 4052	1	J						BEARING, Drive Pinion, Bearing and Cup, Front
8	5014 907AA	1	J						SHIM KIT, Pinion Shaft, Preload
9	5014 847AA	1	J						BEARING, Drive Pinion, Bearing and Cup, Rear
10									SHIM, Drive Pinion Bearing
	5017 139AA	1	J						[.052"] Positioning
	5017 150AA	1	J						[.061"] Positioning
	5017 151AA	1	J						[.062"] Positioning
	5017 152AA	1	J						[.063"] Positioning
	5017 153AA	1	J						[.064"] Positioning
	5017 154AA	1	J						[.065"] Positioning
	5017 155AA	1	J						[.066"] Positioning
	5017 156AA	1	J						[.067"] Positioning
	5017 140AA	1	J						[.053"] Positioning
	5017 141AA	1	J						[.054"] Positioning
	5017 142AA	1	J						[.055"] Positioning
	5017 143AA	1	J						[.056"] Positioning
	5017 144AA	1	J						[.057"] Positioning
	5017 145AA	1	J						[.058"] Positioning
	5017 146AA	1	J						[.059"] Positioning
	5017 149AA	1	J						[.060"] Positioning
11	#5093 044AA	1	J						GEAR KIT, Ring And Pinion, [DMF]
12	4746 733	1	J						BEARING, Differential Case, Consists of 2 Bearings and 2 Cups
13	#5093 047AA	1	J						SHIM KIT, Differential
14	5252 503	10	J						SCREW, Drive Gear, Mounting
15	#52104 571AA	1	J						CASE, Differential, With Internal Parts
16	#52104 611AA	1	J						ACTUATOR, Axle Locker

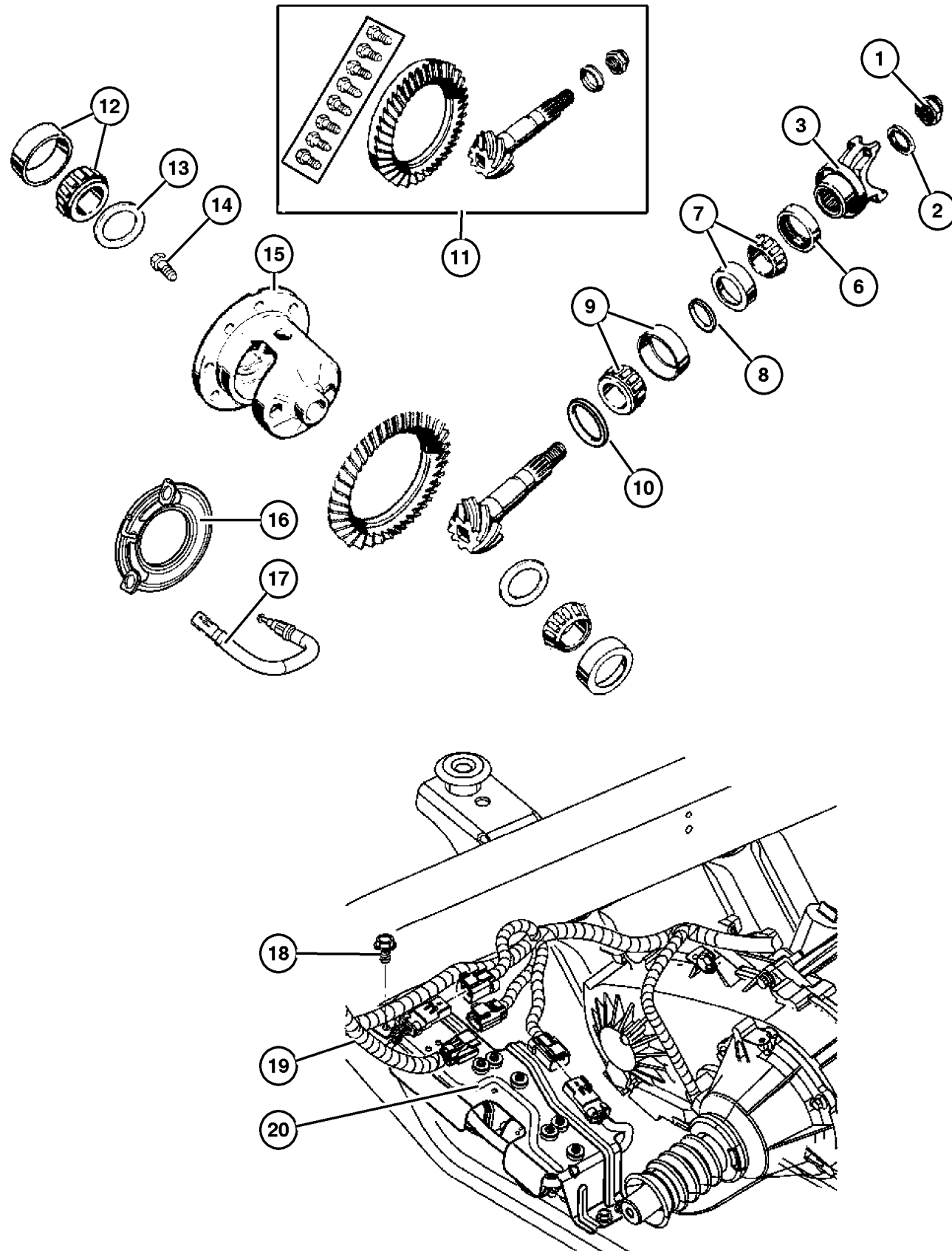
**JEEP WRANGLER (TJ)**

<b>SERIES</b>	<b>LINE</b>	<b>BODY</b>	<b>ENGINE</b>	<b>TRANSMISSION</b>
H = Sport	J = Wrangler 4WD	77 = 93.4 WB	ED1, ED0 = 2.4L DOHC	DGG, DGD = 32RH 3 Spd Auto
L = SE	U = Wrangler 4WD (RHD)		ERH = 4.0L Power Tech	DDD = 5 Speed HD Manual
M = X				DG0 = Auto. Trans.
P = Sahara				DBB = Manual Trans.
S = Rubicon				DDK = 5 Speed Manual

AR = Use as required - = Non illustrated part # = New this model year

September 29, 2003

Differential,Front Axle,With [DSE]  
Figure 002-620



ITEM	PART NUMBER	QTY	LINE	SERIES	BODY	ENGINE	TRANS	TRIM	DESCRIPTION
17	#52104 610AA	1	J						SENSOR, Axle Locker
18	#6505 914AA	4	J						BOLT, Axle Locker Pump, Mounting
19	#52104 603AB	1	J						HARNESS, Electronic Front Axle
20	#52104 604AA	1	J						PUMP MODULE, Axle Locker, Contains Front and Rear Axle Pumps
-21									PUMP, Axle Locker
	#5127 834AA	1	J						Pump Only, Front
	#5127 835AA	1	J						Pump Only, Rear
-22	J323 2982	1	J						TEE, Vacuum
-23	HFV00 014AB	2	J						HOSE 1FT, Fuel & Vapor, 1/4"

JEEP WRANGLER (TJ)

SERIES	LINE	BODY	ENGINE	TRANSMISSION
H = Sport	J = Wrangler 4WD	77 = 93.4 WB	ED1, ED0 = 2.4L DOHC	DGG, DGD = 32RH 3 Spd Auto
L = SE	U = Wrangler 4WD (RHD)		ERH = 4.0L Power Tech	DDD = 5 Speed HD Manual
M = X				DG0 = Auto. Trans.
P = Sahara				DBB = Manual Trans.
S = Rubicon				DDK = 5 Speed Manual

AR = Use as required - = Non illustrated part # = New this model year

September 29, 2003

# Group – 003

## Rear Axle

### GROUP 3 - Rear Axle

Illustration Title

Group-Fig. No.

#### Rear Axle

Axle Assembly, Rear ..... Fig. 003-110

#### Differential and Housing

Housing,Rear Axle,Dana M35/194MM [DRJ] ..... Fig. 003-210

Housing,Rear Axle,Dana 44/226MM [DRK] ..... Fig. 003-220

Differential,With and Without Trac-Lok [DSA] Dana M35/194MM [DRJ] ..... Fig. 003-230

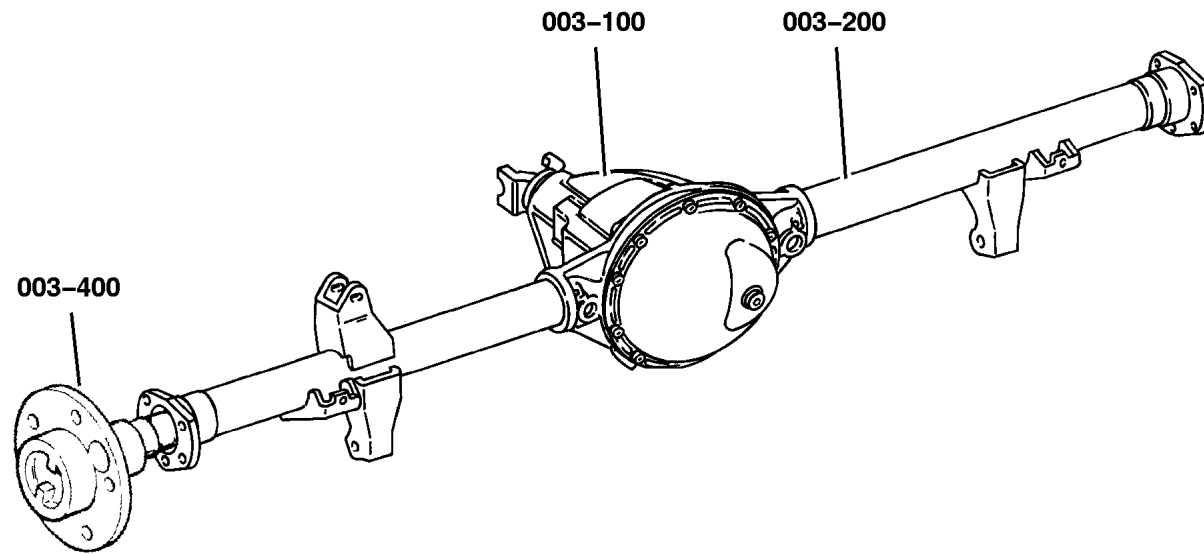
Differential,With and Without Trac-Lok [DSA] Dana 44/226MM [DRK] ..... Fig. 003-240

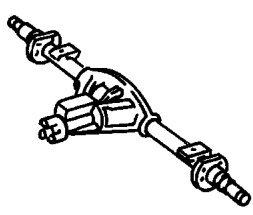
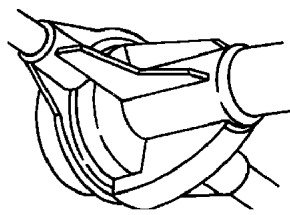
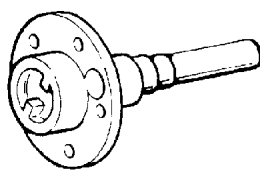
Differential,With Trulok Differential [DSE] Dana 44/226MM [DRK] ..... Fig. 003-250

#### Rear Axle Shafts

Shaft,Rear Axle,Dana 35/194MM [DRJ] ..... Fig. 003-410

Shaft,Rear Axle,Dana 44/226MM [DRK] ..... Fig. 003-420



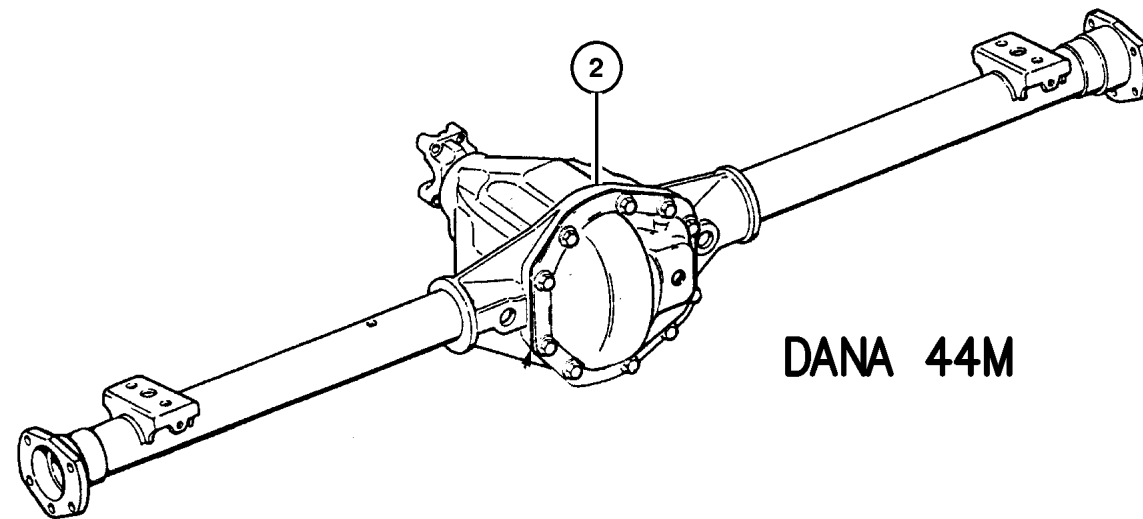
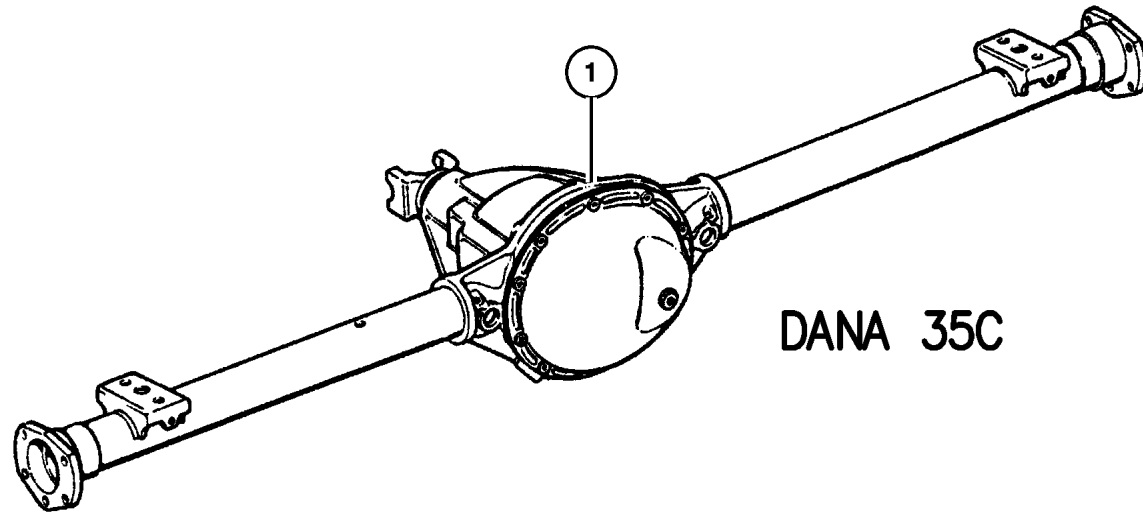
<p><b>003-100</b> Rear Axle</p> 	<p><b>003-200</b> Differential and Housing</p> 	<p><b>003-400</b> Rear Axle Shafts</p> 	
---	--	---	--

**Axle Assembly, Rear**  
**Figure 003-110**

ITEM	PART NUMBER	QTY	LINE	SERIES	BODY	ENGINE	TRANS	TRIM	DESCRIPTION
------	-------------	-----	------	--------	------	--------	-------	------	-------------

Note:Sales Codes;  
 [BGA]=Brakes - Power Front Disc/Rear Drum  
 [BGK]=Brakes - 4-Wheel Anti-Lock  
 [BRW]=Brakes - 4-Wheel Disc  
 [DME]=Axle Ratio - 3.73  
 [DMF]=Axle Ratio - 4.11  
 [DMM]=Axle Ratio - 3.07  
 [DMU]=Axle Ratio - 4.56  
 [DRJ]=Axle - Rear,Dana M35/194MM  
 [DRK]=Axle - Rear,Dana 44/226MM  
 [DSA]=Axle - Trac-Lok Differential  
 [DSE]=Axle - Trulok Differential

1									AXLE, Service Rear
	#5086 649AA	1	J						[DMM,BGK] Tag 52111758AG, 52111760AF
	#5086 648AA	1	J						[DMM,BGA,DSA] Tag 52111764AF
	#5086 642AA	1	J						[DME,BGA] Tag 52111763AF
	#5086 637AA	1	J						[DME,BGK,DSA] Tag 52111030AF, 52111929AF
	#5086 646AA	1	J						[DMF,BGA] Tag 52111762AF
	#5103 013AA	1	J						[DMF,BGA,DSA] Tag 52111766AF
	#5086 623AB	1	J						[DMU,BGA] Tag 52104676AB
2									AXLE, Service Rear
	#5086 636AB	1	J						[DME,BGA] Tag 52104454AF
	#5086 630AB	1	U						[DMM,BGA,DSA] Tag 52111750AH
	#5086 630AC	1	U						[DMM,BGA,DSA] Tag 52111750AI
	#5086 636AC	1	J						[DME,BGA] Tag 52104454AG
	#5083 680AB	1	J						[DME,BRW,DSA] Tag 52104763AB
	#5083 680AC	1	J						[DME,BRW,DSA] Tag 52114045AB
	#5083 680AD	1	J						[DME,BRW,DSA] Tag 52114045AC
	#5083 674AB	1	J						[DMF,BRW,DSE] Tag 52104435AE
		1	J						[DMF,BRW,DSE] Tag 52104435AF
	#5086 634AB	1	U						[DME,BGA,DSA] Tag 52111751AH
	#5086 634AC	1	U						[DME,BGA,DSA] Tag 52111751AI



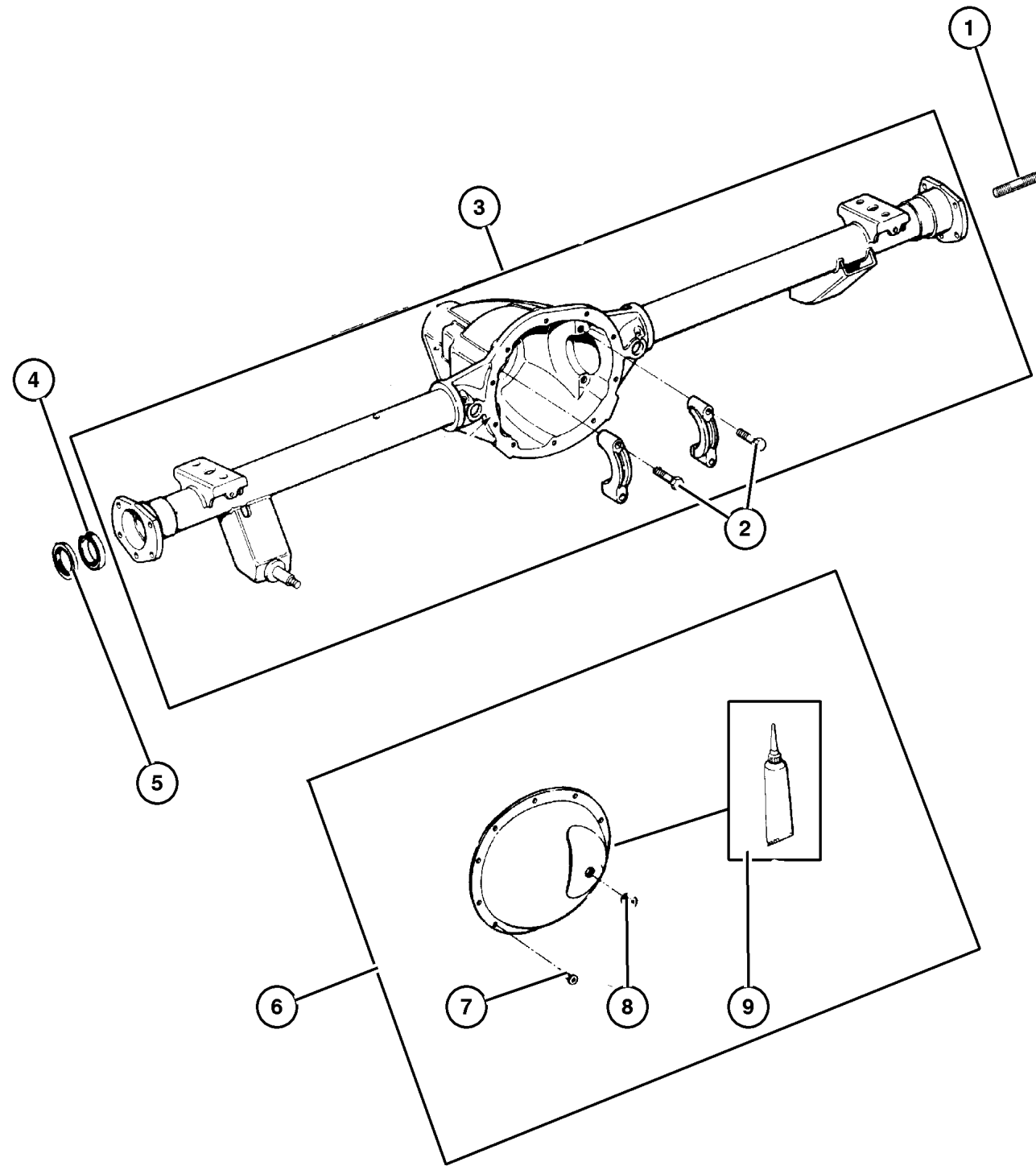
**JEEP WRANGLER (TJ)**

SERIES	LINE	BODY	ENGINE	TRANSMISSION
H = Sport	J = Wrangler 4WD	77 = 93.4 WB	ED1, ED0 = 2.4L DOHC	DGG, DGD = 32RH 3 Spd Auto
L = SE	U = Wrangler 4WD (RHD)		ERH = 4.0L Power Tech	DDD = 5 Speed HD Manual
M = X				DG0 = Auto. Trans.
P = Sahara				DBB = Manual Trans.
S = Rubicon				DDK = 5 Speed Manual

AR = Use as required - = Non illustrated part # = New this model year

September 29, 2003

Housing,Rear Axle,Dana M35/194MM [DRJ]  
Figure 003-210



ITEM	PART NUMBER	QTY	LINE	SERIES	BODY	ENGINE	TRANS	TRIM	DESCRIPTION
------	-------------	-----	------	--------	------	--------	-------	------	-------------

Note:Sales Codes;

[DRJ]=Axle - Rear,Dana M35/194MM

1	4897 234AA	8	J						BOLT, Backing Plate to Axle Housing, Mounting
2	4897 482AB	4	J						BOLT, Differential, Carrier Cap, Mounting
3	#5086 638AA	1	J						HOUSING, Axle
4	J8134 586AB	1	J						BEARING, Axle Shaft
5	4856 336	1	J						SEAL, Axle Drive Shaft
6	5012 811AA	1	J						COVER, Differential
7	J400 6708	10	J						SCREW, Pan Head, .312-18x.56, Cover, Mounting
8	5252 504AB	1	J						PLUG, Differential Cover
9	5010 884AA	1	J						SEALANT, RTV

JEEP WRANGLER (TJ)

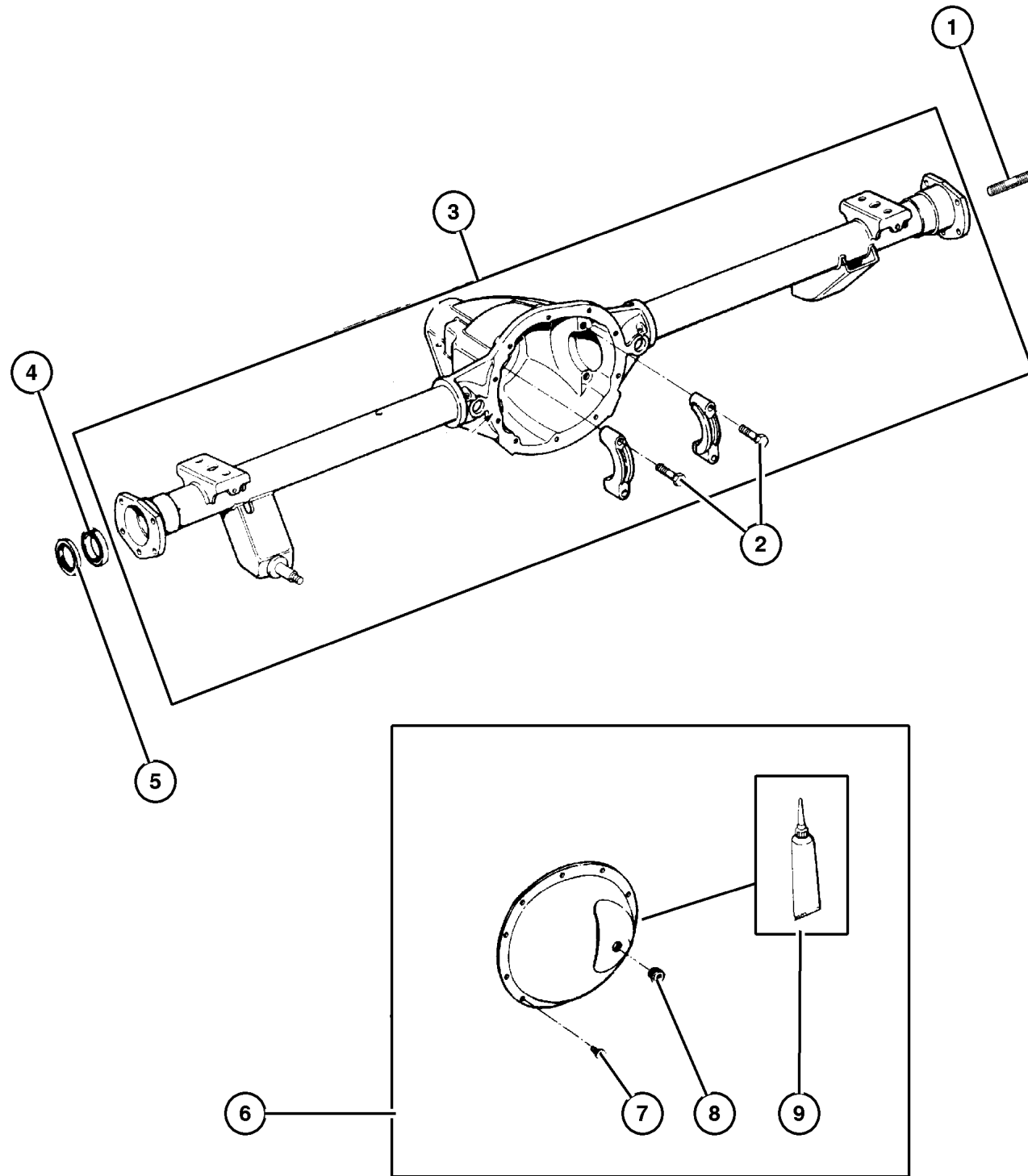
SERIES	LINE	BODY	ENGINE	TRANSMISSION
H = Sport	J = Wrangler 4WD	77 = 93.4 WB	ED1, ED0 = 2.4L DOHC	DGG, DGD = 32RH 3 Spd Auto
L = SE	U = Wrangler 4WD (RHD)		ERH = 4.0L Power Tech	DDD = 5 Speed HD Manual
M = X				DG0 = Auto. Trans.
P = Sahara				DBB = Manual Trans.
S = Rubicon				DDK = 5 Speed Manual

AR = Use as required - = Non illustrated part # = New this model year

September 29, 2003



Housing,Rear Axle,Dana 44/226MM [DRK]  
Figure 003-220



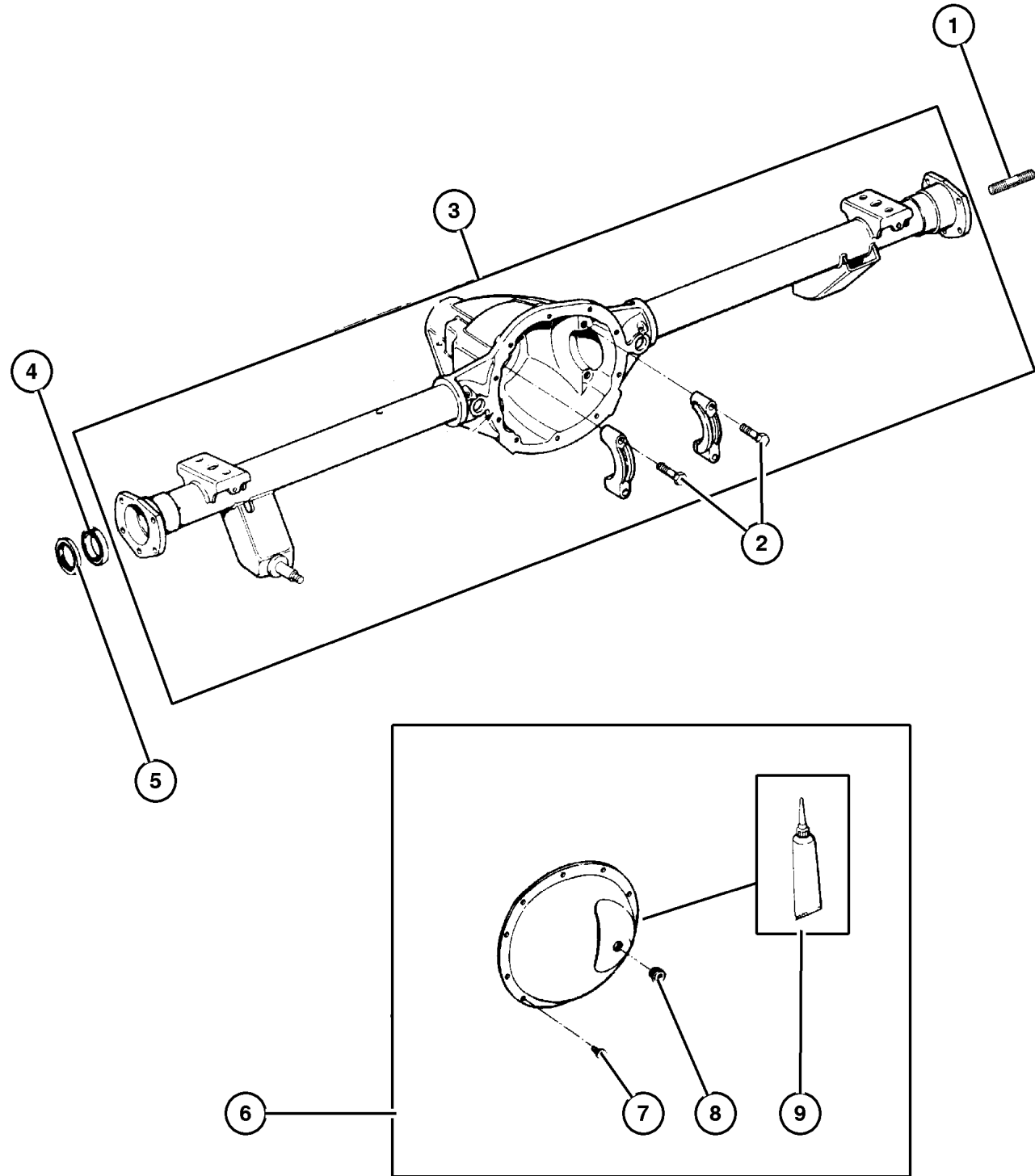
ITEM	PART NUMBER	QTY	LINE	SERIES	BODY	ENGINE	TRANS	TRIM	DESCRIPTION
Note:Sales Codes;									
[BGA]=Brakes - Power Front Disc/Rear Drum									
[BRW]=Brakes - 4-Wheel Disc									
[DME]=Axle Ratio - 3.73									
[DMF]=Axle Ratio - 4.11									
[DMM]=Axle Ratio - 3.07									
[DRK]=Axle - Rear,Dana 44/226MM									
[DSA]=Axle - Trac-Lok Differential									
[DSE]=Axle - Trulok Differential									
1									STUD
	J099 4313	8	J						
	5080 665AA	8	J						[DSE]
	J099 4313	8	U						
2									BOLT, Differential
	5003 648AA	4	J						
	4897 482AB	4	J						[DSE]
	5003 648AA	4	U						
3									HOUSING, Axle
	#5083 679AC	1	J						[DME,BGA] Tag 52104454AF
	#5086 629AC	1	U						[DMM,BGA,DSA] Tag 52111751AI
	#5127 194AA	1	J						[DME,BGA] Tag 52104454AG
	#5083 679AB	1	J						[DME,BRW,DSA]
	#5083 679AC	1	J						[DME,BRW,DSA] Tag 52114045AB
	#5127 194AA	1	J						[DME,BRW,DSA] Tag 52114045AC
	#5083 672AB	1	J						[DMF,BRW,DSE]
	#5086 629AB	1	U						[DME,BGA,DSA] Tag 52111751AH
	#5086 629AC	1	U						[DME,BGA,DSA] Tag 52111751AI
	#5086 629AB	1	U						[DMM,BGA,DSA] Tag 52111751AH
4									BEARING, Axle Shaft
	8350 3064	1	J						
		1	U						
5									SEAL, Axle Drive Shaft
	8350 3063	1	J						
		1	U						
6									COVER, Differential
	8350 5549	1	J						
	5014 821AA	1	J						[DSE]
	8350 5549	1	U						
7									SCREW, Pan Head, .312-18x.56
	J400 6708	10	J						
		10	U						
8									PLUG, Differential Cover

<b>JEEP WRANGLER (TJ)</b>							
SERIES	LINE	BODY	ENGINE	TRANSMISSION			
H = Sport	J = Wrangler 4WD	77 = 93.4 WB	ED1, ED0 = 2.4L DOHC	DGG, DGD = 32RH 3 Spd Auto			
L = SE	U = Wrangler 4WD (RHD)		ERH = 4.0L Power Tech	DDD = 5 Speed HD Manual			
M = X				DGO = Auto. Trans.			
P = Sahara				DBB = Manual Trans.			
S = Rubicon				DDK = 5 Speed Manual			

AR = Use as required - = Non illustrated part # = New this model year

September 29, 2003

Housing,Rear Axle,Dana 44/226MM [DRK]  
Figure 003-220



ITEM	PART NUMBER	QTY	LINE	SERIES	BODY	ENGINE	TRANS	TRIM	DESCRIPTION
	3640 792	1	J						
	J400 4751	1	J						[DSE]
	3640 792	1	U						
9	5010 884AA	1	J						SEALANT, RTV
		1	U						

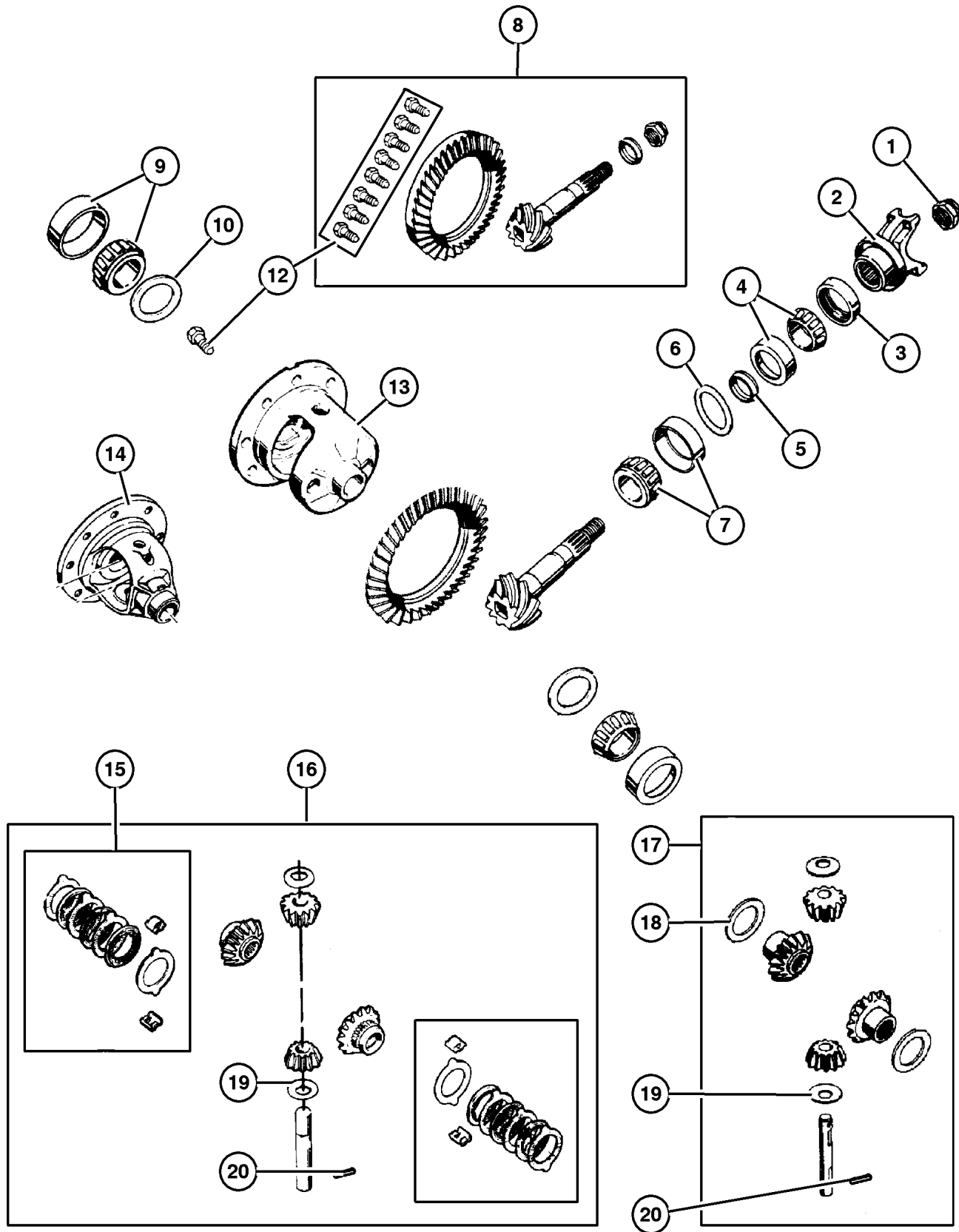
**JEEP WRANGLER (TJ)**

SERIES	LINE	BODY	ENGINE	TRANSMISSION
H = Sport	J = Wrangler 4WD	77 = 93.4 WB	ED1, ED0 = 2.4L DOHC	DGG, DGD = 32RH 3 Spd Auto
L = SE	U = Wrangler 4WD (RHD)		ERH = 4.0L Power Tech	DDD = 5 Speed HD Manual
M = X				DG0 = Auto. Trans.
P = Sahara				DBB = Manual Trans.
S = Rubicon				DDK = 5 Speed Manual

AR = Use as required - = Non illustrated part # = New this model year

September 29, 2003

**Differential, With and Without Trac-Lok [DSA] Dana M35/194MM [DRJ]  
Figure 003-230**



ITEM	PART NUMBER	QTY	LINE	SERIES	BODY	ENGINE	TRANS	TRIM	DESCRIPTION
------	-------------	-----	------	--------	------	--------	-------	------	-------------

Note: Sales Codes;

[DME]=Axle Ratio - 3.73

[DMF]=Axle Ratio - 4.11

[DMM]=Axle Ratio - 3.07

[DMU]=Axle Ratio - 4.56

[DRJ]=Axle - Rear, Dana 35/194MM

[DSA]=Axle - Anti-Spin Differential

1	4720 895	1	J						NUT, Pinion Yoke
2	4897 025AA	1	J						YOKE, Axle
3	8350 4946	1	J						SEAL, Drive Pinion
4	5252 508	1	J						BEARING, Drive Pinion, Bearing and Cup, Front
5	J317 5779	1	J						SPACER, Drive Pinion Bearing, Crush
6	4720 922	1	J						SHIM KIT, Pinion Shaft
7	5252 507	1	J						BEARING, Drive Pinion, Bearing and Cup, Rear
8	5073 013AA	1	J						GEAR KIT, Ring And Pinion [DMM]
	5086 639AA	1	J						[DME]
	5073 266AB	1	J						[DMF]
	#5086 619AA	1	J						[DMU]
9	J812 6500	1	J						BEARING, Differential, Consists of 2 Bearings and 2 Cups
10									SHIM, Differential Bearing
	5017 308AA	1	J						[.160"]
	5017 320AA	1	J						[.172"]
	5017 304AA	1	J						[.156"]
	5017 312AA	1	J						[.164"]
	5017 316AA	1	J						[.168"]
	5017 310AA	1	J						[.162"]
	5017 306AA	1	J						[.158"]
	5017 322AA	1	J						[.174"]
	5017 314AA	1	J						[.166"]
	5017 300AA	1	J						[.152"]
	5017 318AA	1	J						[.170"]
	5017 302AA	1	J						[.154"]
-11	8350 3004	1	J						SHIM KIT, Differential, Contains All Items 10
12	5012 810AC	1	J						BOLT KIT
13									CASE, Differential

**JEEP WRANGLER (TJ)**

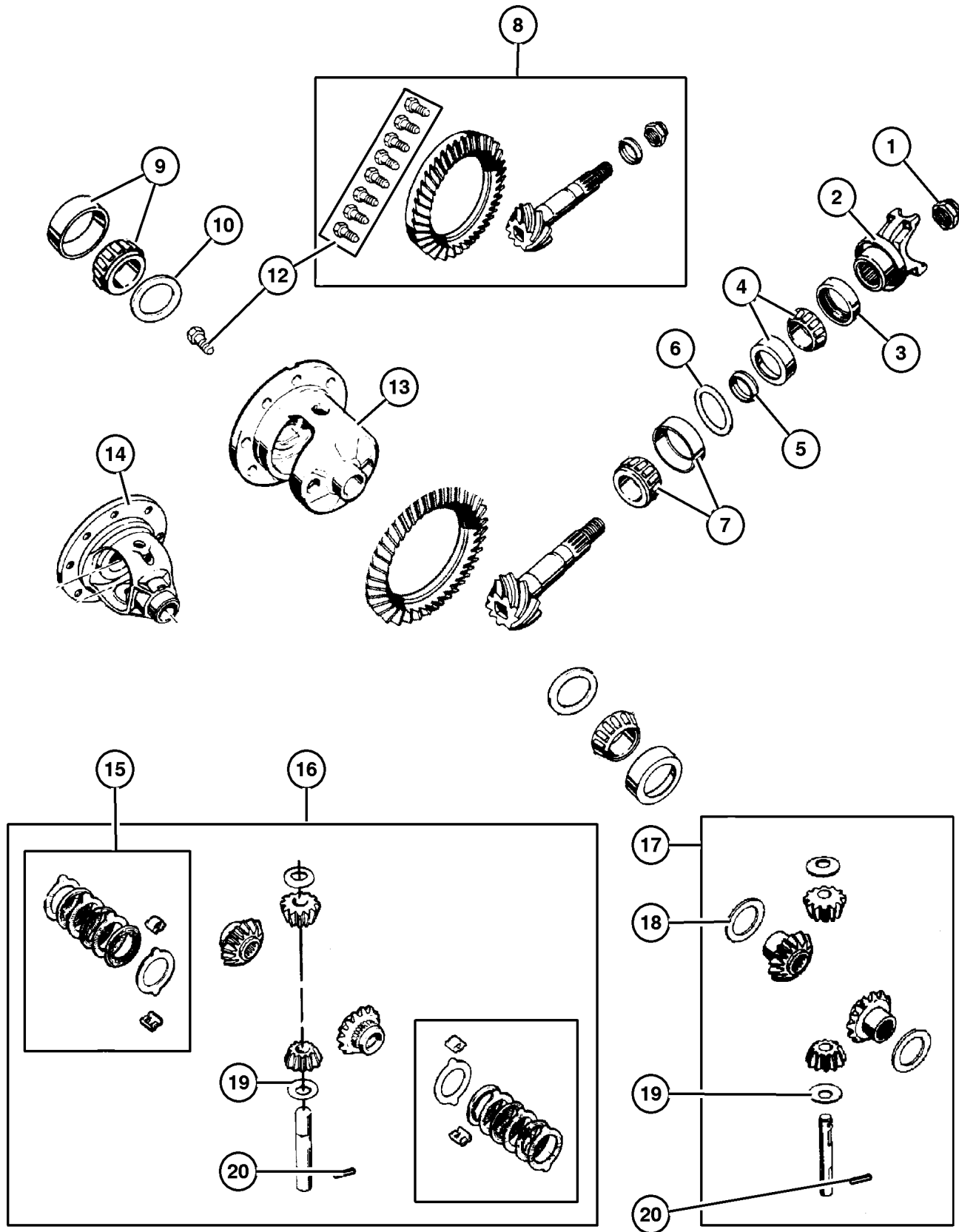
SERIES	LINE	BODY	ENGINE	TRANSMISSION
H = Sport	J = Wrangler 4WD	77 = 93.4 WB	ED1, ED0 = 2.4L DOHC	DGG, DGD = 32RH 3 Spd Auto
L = SE	U = Wrangler 4WD (RHD)		ERH = 4.0L Power Tech	DDD = 5 Speed HD Manual
M = X				DG0 = Auto. Trans.
P = Sahara				DBB = Manual Trans.
S = Rubicon				DDK = 5 Speed Manual

AR = Use as required - = Non illustrated part # = New this model year

September 29, 2003

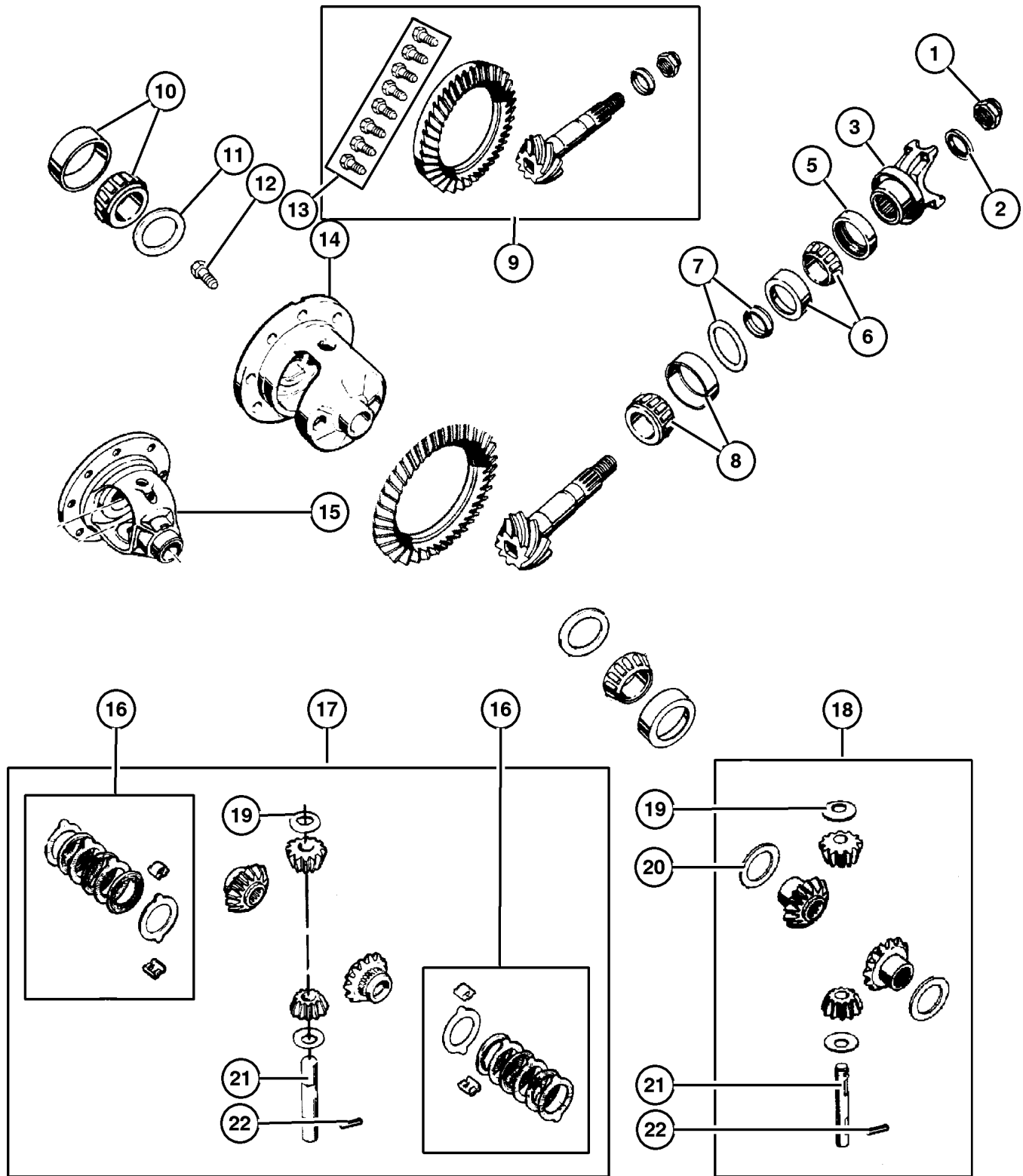
Differential, With and Without Trac-Lok [DSA] Dana M35/194MM [DRJ]  
Figure 003-230

ITEM	PART NUMBER	QTY	LINE	SERIES	BODY	ENGINE	TRANS	TRIM	DESCRIPTION
	5012 831AB	1	J						[DME,DMF,DSA] With Internal Parts
	5073 014AA	1	J						[DMM,DSA] With Internal Parts
14	5072 976AA	1	J						CASE, Differential [DMU] With Internal Parts
	5073 110AA	1	J						[DMM] With Internal Parts
	5072 976AA	1	J						[DME,DMF] With Internal Parts
15	5252 506	1	J						DISC AND PLATE KIT, Differential, With [DSA]
16	4773 010	1	J						GEAR KIT, Center Differential, With [DSA]
17	4740 670	1	J						GEAR KIT, Center Differential, Without [DSA]
18	J812 0832	1	J						WASHER, Side Gear, Without [DSA], Thrust
19	J812 0831	2	J						WASHER, Pinion Gear, Without [DSA], Thrust
20	5252 502	1	J						PIN, Differential Shaft, Without [DSA]



JEEP WRANGLER (TJ)  
 SERIES LINE BODY ENGINE TRANSMISSION  
 H = Sport J = Wrangler 4WD 77 = 93.4 WB ED1, ED0 = 2.4L DOHC DGG, DGD = 32RH 3 Spd Auto  
 L = SE U = Wrangler 4WD (RHD) ERH = 4.0L Power Tech DDD = 5 Speed HD Manual  
 M = X DBB = Manual Trans.  
 P = Sahara DDK = 5 Speed Manual  
 S = Rubicon

Differential, With and Without Trac-Lok [DSA] Dana 44/226MM [DRK]  
Figure 003-240



ITEM	PART NUMBER	QTY	LINE	SERIES	BODY	ENGINE	TRANS	TRIM	DESCRIPTION
------	-------------	-----	------	--------	------	--------	-------	------	-------------

Note: Sales Codes;  
 [DME]=Axle Ratio - 3.73  
 [DMF]=Axle Ratio - 4.11  
 [DMM]=Axle Ratio - 3.07  
 [DRK]=Axle - Rear, Dana 44/226MM  
 [DSA]=Axle - Anti-Spin Differential

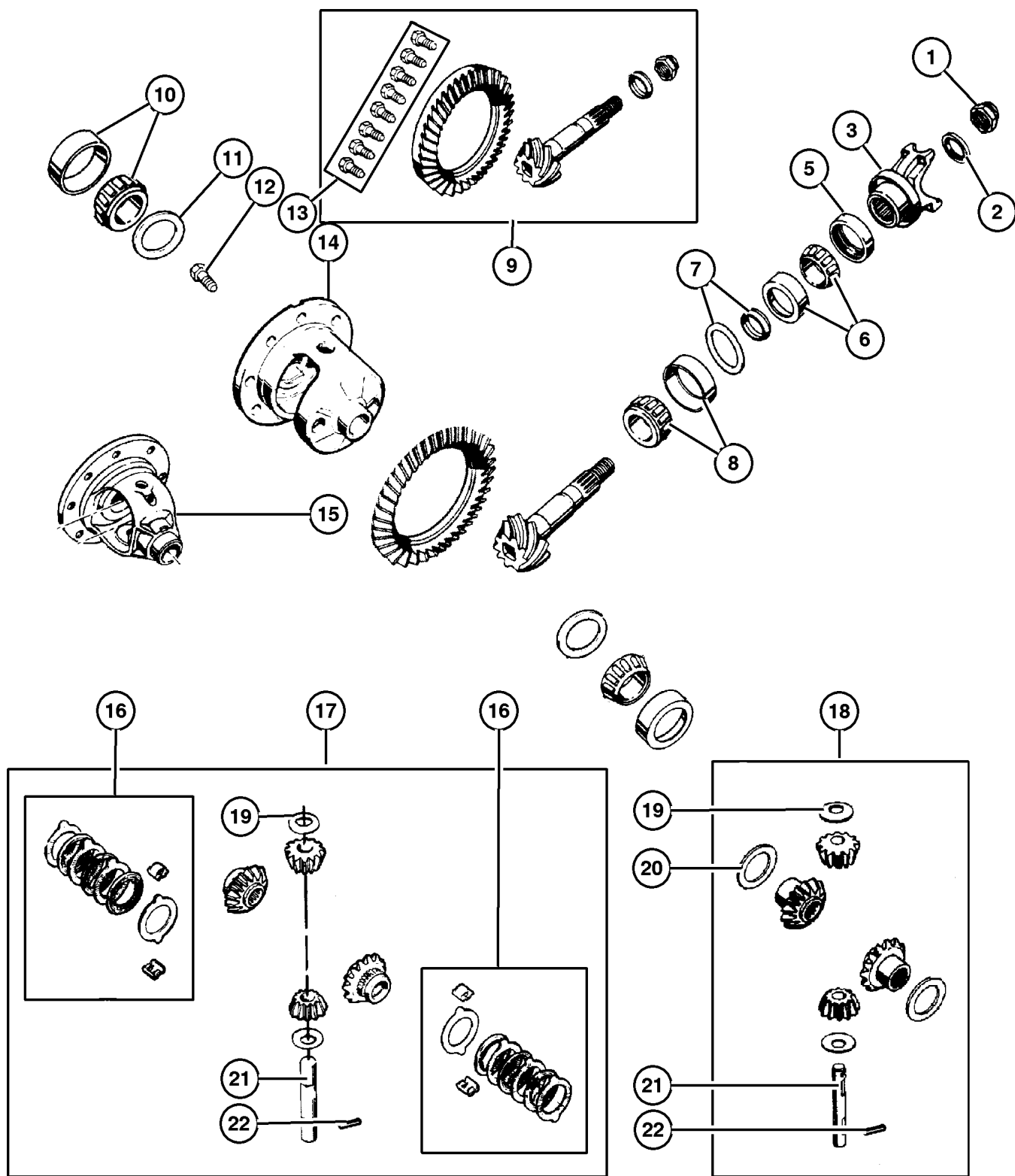
1	1791 575	1	J						NUT, Pinion Yoke
		1	U						
2	1791 576	1	J						WASHER, Pinion Yoke
		1	U						
3									YOKE, Axle
	4897 026AA	1	J						
		1	U						
-4									SLINGER, Drive Pinion
	4031 974	1	J						
		1	U						
5									SEAL, Drive Pinion
	5072 473AA	1	J						Without [DSA]
	4746 772	1	J						With [DSA]
	5072 473AA	1	U						
6									BEARING, Drive Pinion
	J812 4052	1	J						Bearing and Cup, Front
		1	U						Bearing and Cup, Front
7									SHIM KIT, Pinion Shaft
	J812 9221	1	J						
		1	U						
8									BEARING, Drive Pinion
	5014 847AA	1	J						Bearing and Cup, Rear
		1	U						Bearing and Cup, Rear
9									GEAR KIT, Ring And Pinion
	4882 352	1	J						[DME] With 3/8 Ring Gear Bolts
	#5103 016AA	1	J						[DME] With 7/16 Ring Gear Bolts
	8350 4197	1	U						[DMM] With 3/8 Ring Gear Bolts
	#5103 018AA	1	U						[DMM] With 7/16 Ring Gear Bolts
	4882 352	1	U						[DME] With 3/8 Ring Gear Bolts
	#5103 016AA	1	U						[DME] With 7/16 Ring Gear Bolts
10									BEARING, Differential Case
	4746 733	1	J						Consists of 2 Bearings and 2 Cups
		1	U						Consists of 2 Bearings and 2 Cups
11									SHIM KIT, Differential

JEEP WRANGLER (TJ)  
 SERIES LINE BODY ENGINE TRANSMISSION  
 H = Sport J = Wrangler 4WD 77 = 93.4 WB ED1, ED0 = 2.4L DOHC DGG, DGD = 32RH 3 Spd Auto  
 L = SE U = Wrangler 4WD (RHD) ERH = 4.0L Power Tech DDD = 5 Speed HD Manual  
 M = X DBB = Manual Trans.  
 P = Sahara DDK = 5 Speed Manual  
 S = Rubicon

AR = Use as required - = Non illustrated part # = New this model year

September 29, 2003

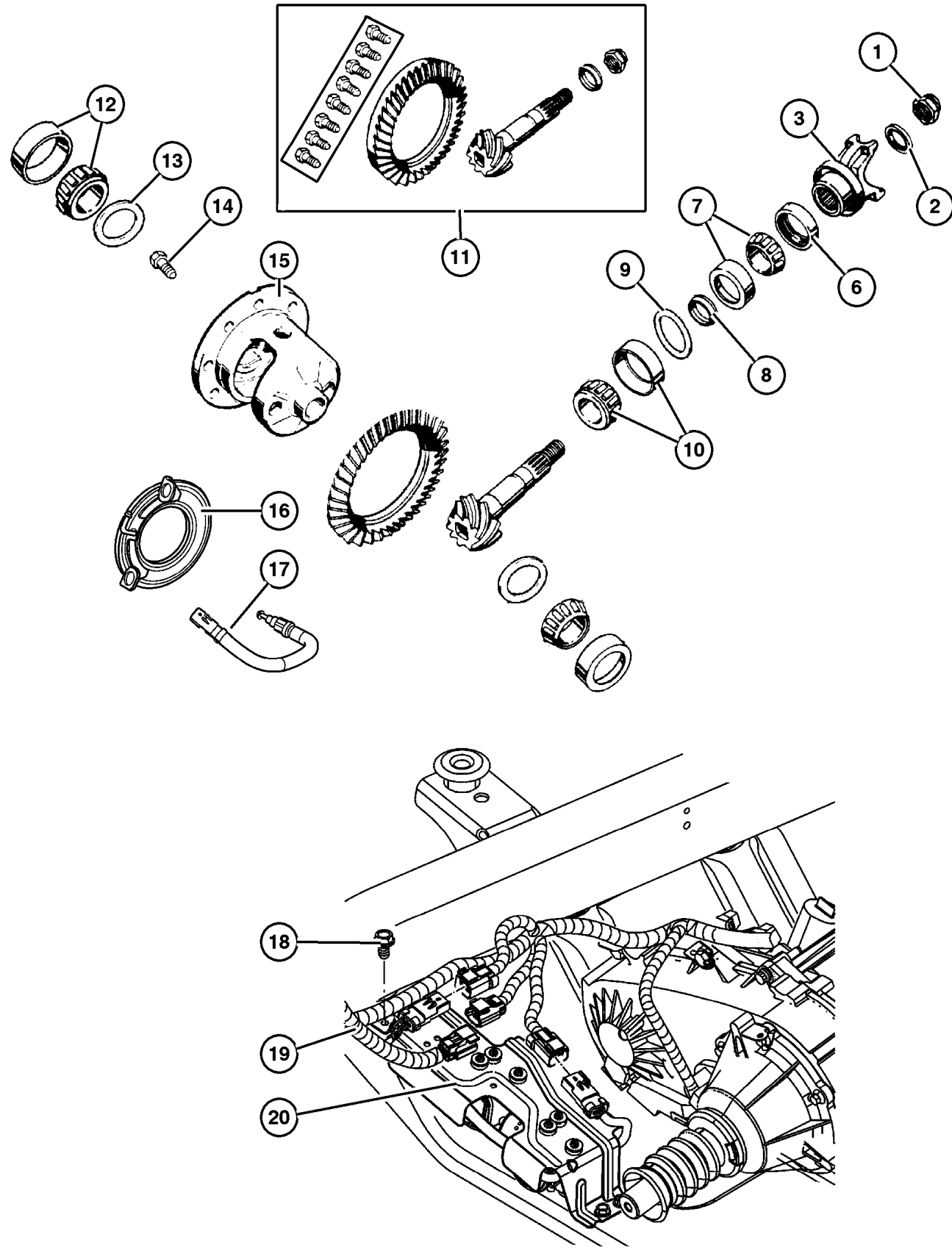
Differential, With and Without Trac-Lok [DSA] Dana 44/226MM [DRK]  
Figure 003-240



ITEM	PART NUMBER	QTY	LINE	SERIES	BODY	ENGINE	TRANS	TRIM	DESCRIPTION
	#5093 047AA	1	J						
		1	U						
12	5252 503	10	J						SCREW, Drive Gear Mounting
		10	U						Mounting
13	5012 810AC	1	J						BOLT KIT
		1	U						
14	8350 5431	1	J						CASE, Differential
		1	U						
	#5103 017AA	1	J						With [DSA] With 3/8 Ring Gear Bolts, With Internal Parts
		1	U						With [DSA] With 7/16 Ring Gear Bolts, With Internal Parts
	8350 5431	1	J						With [DSA] With 3/8 Ring Gear Bolts, With Internal Parts
		1	U						With [DSA] With 7/16 Ring Gear Bolts, With Internal Parts
15	4778 672	1	J						CASE, Differential
		1	U						
	#5103 031AA	1	J						Without [DSA] with 3/8 Ring Gear Bolts, With Internal Parts
		1	U						Without [DSA] with 7/16 Ring Gear Bolts, With Internal Parts
16	J0994 345AB	1	J						DISC AND PLATE KIT, Differential
		1	U						With [DSA]
		1	U						With [DSA]
17	8350 5432	1	J						GEAR KIT, Center Differential
		1	U						With [DSA]
		1	U						With [DSA]
18	4778 595	1	J						GEAR KIT, Center Differential,
		1	U						Without [DSA]
19	1791 561	2	J						WASHER, Pinion Gear
		2	U						With or Without [DSA]
		2	U						With or Without [DSA]
20	4137 755	2	J						WASHER, Side Gear, Without [DSA]
21	8350 3069	1	J						SHAFT, Differential
		1	U						With or Without [DSA]
		1	U						With or Without [DSA]
22	1791 563	1	J						PIN, Differential Shaft
		1	U						With or Without [DSA]
		1	U						With or Without [DSA]

JEEP WRANGLER (TJ)  
 SERIES LINE BODY ENGINE TRANSMISSION  
 H = Sport J = Wrangler 4WD 77 = 93.4 WB ED1, ED0 = 2.4L DOHC DGG, DGD = 32RH 3 Spd Auto  
 L = SE U = Wrangler 4WD (RHD) ERH = 4.0L Power Tech DDD = 5 Speed HD Manual  
 M = X DBB = Manual Trans.  
 P = Sahara DDK = 5 Speed Manual  
 S = Rubicon

**Differential,With Trulok Differential [DSE] Dana 44/226MM [DRK]  
Figure 003-250**



ITEM	PART NUMBER	QTY	LINE	SERIES	BODY	ENGINE	TRANS	TRIM	DESCRIPTION
Note:Sales Codes;									
[DMF]=Axle Ratio - 4.11									
[DRK]=Axle - Rear,Dana 44/226MM									
[DSE]=Axle - Trulok Differential									
1	5017 755AA	1	J						NUT, Pinion Yoke
2	1791 576	1	J						WASHER, Pinion Yoke
3	4797 689	1	J						YOKE, Axle
-4	5012 453AA	1	J						O RING, Pinion Flange, Fits Over Hub of Axle Yoke
-5	4031 974	1	J						SLINGER, Drive Pinion
6	5066 446AA	1	J						SEAL, Drive Pinion
7	J812 4052	1	J						BEARING, Drive Pinion, Bearing and Cup, Front
8	#5093 048AA	1	J						SPACER, Drive Pinion Bearing, Crush
9	#5083 673AB	1	J						SHIM KIT, Pinion Shaft
10	5014 847AA	1	J						BEARING, Drive Pinion, Bearing and Cup, Rear
11	#5093 044AA	1	J						GEAR KIT, Ring And Pinion, [DMF]
12	4746 733	1	J						BEARING, Differential Case, Consists of 2 Bearings and 2 Cups
13	#5093 047AA	1	J						SHIM KIT, Differential
14	5252 503	10	J						SCREW, Drive Gear, Mounting
15	#52104 572AA	1	J						CASE, Differential, With Internal Parts
16	#52104 611AA	1	J						ACTUATOR, Axle Locker
17	#52104 610AA	1	J						SENSOR, Axle Locker
18	#6505 914AA	4	J						BOLT, Axle Locker Pump, Mounting
19	#52104 605AA	1	J						HARNES, Electronic Rear Axle, Contains Hose and Wiring
20	#52104 604AA	1	J						PUMP MODULE, Axle Locker, Contains Front and Rear Axle Pumps
-21									PUMP, Axle Locker
	#5127 835AA	1	J						Pump Only, Rear
	#5127 834AA	1	J						Pump Only, Front
-22	J323 2982	1	J						TEE, Vacuum
-23	HFV00 014AB	2	J						HOSE 1FT, Fuel & Vapor, 1/4", Pump to Pump

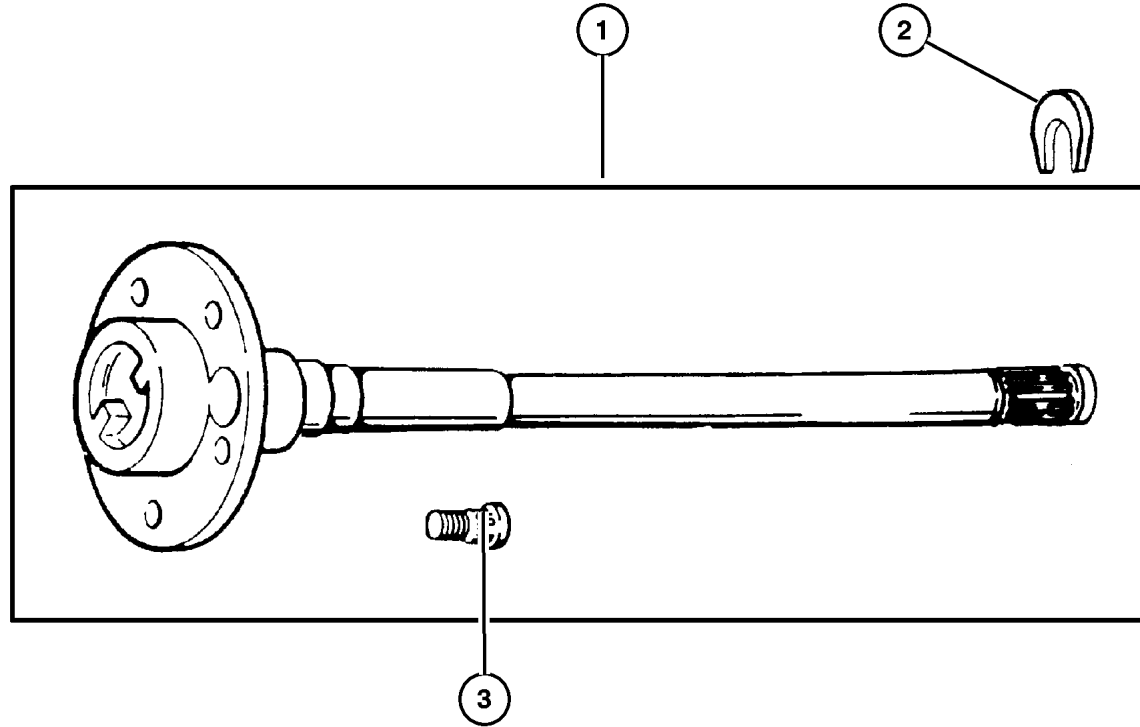
<b>JEEP WRANGLER (TJ)</b>				
SERIES	LINE	BODY	ENGINE	TRANSMISSION
H = Sport	J = Wrangler 4WD	77 = 93.4 WB	ED1, ED0 = 2.4L DOHC	DGG, DGD = 32RH 3 Spd Auto
L = SE	U = Wrangler 4WD (RHD)		ERH = 4.0L Power Tech	DDD = 5 Speed HD Manual
M = X				DG0 = Auto. Trans.
P = Sahara				DBB = Manual Trans.
S = Rubicon				DDK = 5 Speed Manual

AR = Use as required - = Non illustrated part # = New this model year

September 29, 2003

**Shaft,Rear Axle,Dana 35/194MM [DRJ]  
Figure 003-410**

ITEM	PART NUMBER	QTY	LINE	SERIES	BODY	ENGINE	TRANS	TRIM	DESCRIPTION
Note:Sales Codes;									
[DRJ]=Axle - Rear,Dana 35/194MM									
1									SHAFT, Axle
	#5086 640AA	1	J						Right
	#5086 641AA	1	J						Left
	#5103 014AA	1	J						With Axle 52111766AF Only, Right
	#5103 015AA	1	J						With Axle 52111766AF Only, Left
2	5252 505	2	J						RETAINER, Axle Shaft, Right or Left
3	4762 841	5	J						STUD, Hub, Wheel, Right or Left



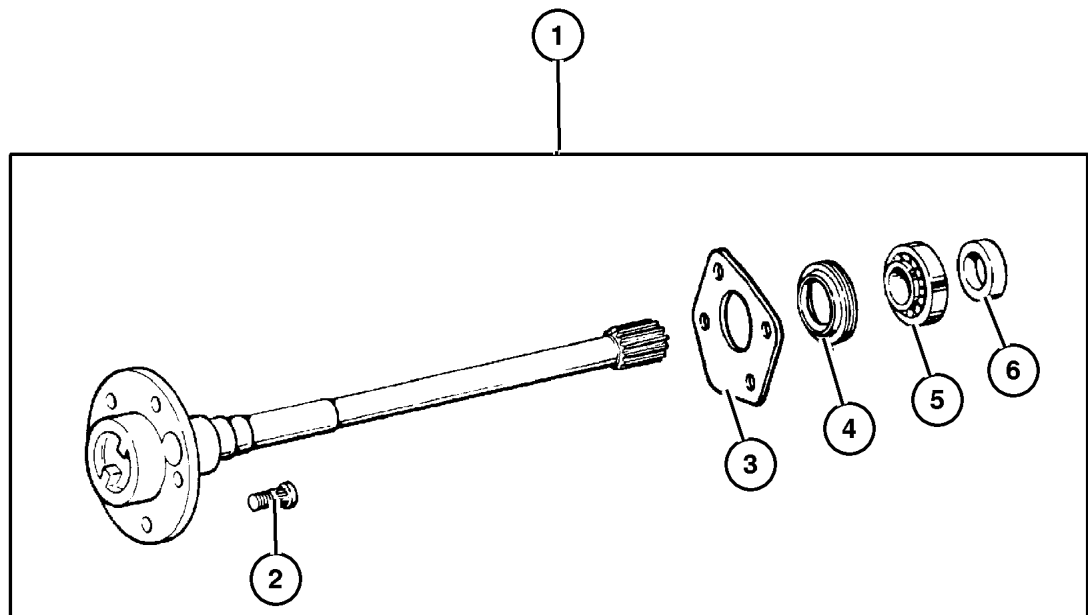
<b>JEEP WRANGLER (TJ)</b>				
SERIES	LINE	BODY	ENGINE	TRANSMISSION
H = Sport	J = Wrangler 4WD	77 = 93.4 WB	ED1, ED0 = 2.4L DOHC	DGG, DGD = 32RH 3 Spd Auto
L = SE	U = Wrangler 4WD (RHD)		ERH = 4.0L Power Tech	DDD = 5 Speed HD Manual
M = X				DG0 = Auto. Trans.
P = Sahara				DBB = Manual Trans.
S = Rubicon				DDK = 5 Speed Manual

AR = Use as required - = Non illustrated part # = New this model year

September 29, 2003



**Shaft,Rear Axle,Dana 44/226MM [DRK]  
Figure 003-420**



ITEM	PART NUMBER	QTY	LINE	SERIES	BODY	ENGINE	TRANS	TRIM	DESCRIPTION
Note:Sales Codes;									
[DRK]=Axle - Rear,Dana 44/226MM									
[DSE]=Axle - Trulok Differential									
1									SHAFT, Axle
	#5083 676AA	1	J						[DSA,DSE], Right
	#5083 677AA	1	J						[DSA,DSE], Left
	#5086 633AA	1	J						Left
	#5086 632AA	1	J						Right
		1	U						Right
	#5086 633AA	1	U						Left
2									STUD, Hub
	4762 841	5	J						Right or Left
		5	U						Right or Left
3									RETAINER, Axle Shaft Seal
	#5083 678AA	1	J						[DSE], Right or Left
	5010 811AA	1	J						Right or Left
		1	U						Right or Left
4									SEAL, Axle Drive Shaft
	8350 3063	1	J						Right or Left
		1	U						Right or Left
5									BEARING, Axle Shaft
	8350 3064	1	J						Right or Left
		1	U						Right or Left
6									RING, Axle Shaft
	8350 3077	1	J						Right or Left
		1	U						Right or Left

**JEEP WRANGLER (TJ)**

SERIES	LINE	BODY	ENGINE	TRANSMISSION
H = Sport	J = Wrangler 4WD	77 = 93.4 WB	ED1, ED0 = 2.4L DOHC	DGG, DGD = 32RH 3 Spd Auto
L = SE	U = Wrangler 4WD (RHD)		ERH = 4.0L Power Tech	DDD = 5 Speed HD Manual
M = X				DG0 = Auto. Trans.
P = Sahara				DBB = Manual Trans.
S = Rubicon				DDK = 5 Speed Manual

AR = Use as required - = Non illustrated part # = New this model year

September 29, 2003

# Group – 004

## Parking Brake

### GROUP 4 - Parking Brake

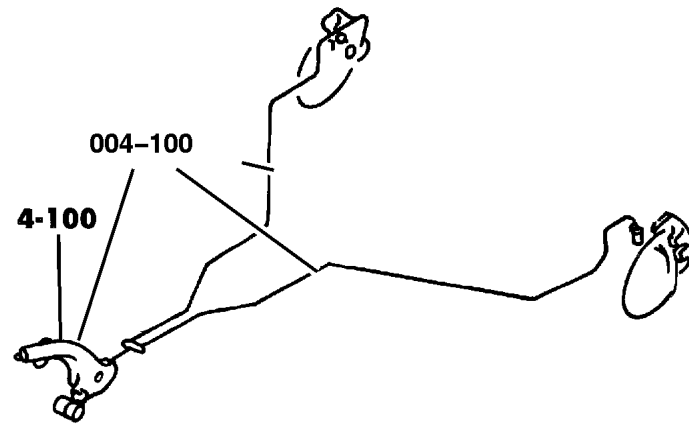
Illustration Title


Group-Fig. No.

#### Parking Brake Lever and Cables

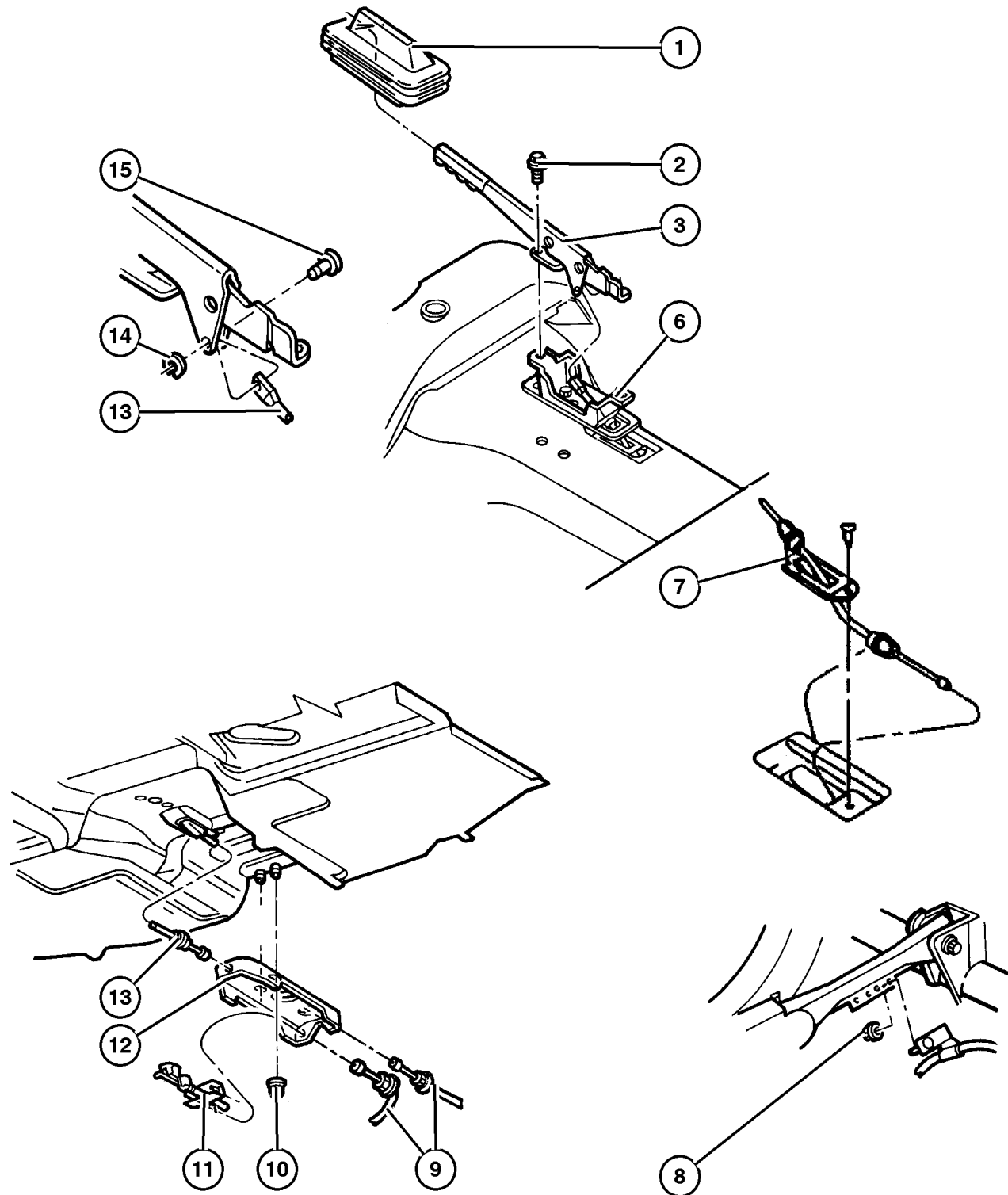
Parking Brake Lever and Cables ..... Fig. 004-110

Parking Brake Assembly,Rear,Disc ..... Fig. 004-120



<p><b>004-100</b> Parking Brake Lever and Cables</p> 			
--	--	--	--

## Parking Brake Lever and Cables Figure 004-110



ITEM	PART NUMBER	QTY	LINE	SERIES	BODY	ENGINE	TRANS	TRIM	DESCRIPTION
Note: Sales Codes;									
[BGA]=Brakes - Power Front Disc/Rear Drum									
[BRW]=Brakes - 4-Wheel Disc									
[CUF]=Console - Full Length Floor									
1	52078 891AB	1							BOOT, Parking Brake Lever
2	3420 1686	2							BOLT, Hex Flange Head, M12x1.18x35, Parking Brake Lever to Bracket, Mounting
3	52128 203AC	1							LEVER, Park Brake
-4	5212 7960	1							SWITCH, Parking Brake
-5									SCREW, Hex Flange Head, Parking Brake Switch Mounting -Tapping .190-24x.750, (NOT SERVICED)
									(Not Serviced)
6	5212 8191	1							BRACKET, Parking Lever, Mounting
7	0153 644	3							SCREW, .190-16x.500, Front Parking Brake Cable Seal to Floor Pan, Mounting
8	6101 695	1							NUT, Hex Flange Lock, Parking Brake Cable to Right Control Arm, Mounting
9									CABLE, Parking Brake
	#52128 428AA	1	J						[BRW], Right Rear
	#52128 429AA	1	J						[BRW], Left Rear
	5200 8362	1	J						[BGA], Right Rear
	5200 8363	1	J						[BGA], Left Rear
	5200 8362	1	U						Right Rear
	5200 8363	1	U						Left Rear
10	6505 245AA	2							NUT, M8x1.25, Parking Brake Support Bracket to Floor Pan, Mounting
11	5200 9527	1							TENSIONER, Parking Brake Cable, Adjusting
12	52127 952AC	1							BRACKET, Cable
13	52128 206AD	1							CABLE, Parking Brake, Front
14	5207 8012	1							CLIP, Parking Brake Cable, Parking Brake Lever, Mounting
15	5207 8010	1							PIN, Parking Release, Parking Brake Lever, Mounting

### JEEP WRANGLER (TJ)

SERIES  
H = Sport  
L = SE  
M = X  
P = Sahara  
S = Rubicon

LINE  
J = Wrangler 4WD  
U = Wrangler 4WD (RHD)

BODY  
77 = 93.4 WB

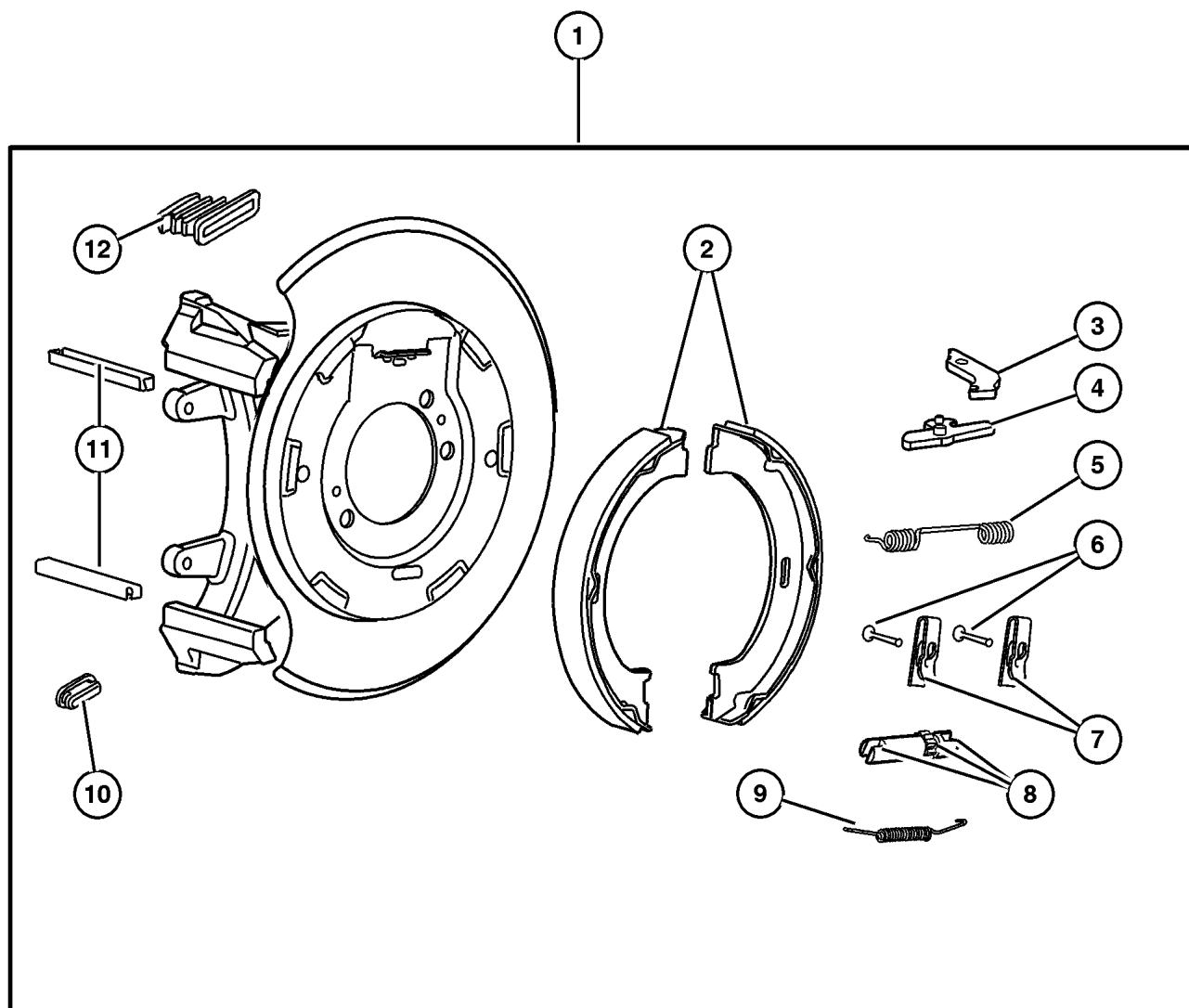
ENGINE  
ED1, ED0 = 2.4L DOHC  
ERH = 4.0L Power Tech

TRANSMISSION  
DGG, DGD = 32RH 3 Spd Auto  
DDD = 5 Speed HD Manual  
DGO = Auto. Trans.  
DBB = Manual Trans.  
DDK = 5 Speed Manual

AR = Use as required - = Non illustrated part # = New this model year

September 29, 2003

**Parking Brake Assembly,Rear,Disc  
Figure 004-120**



ITEM	PART NUMBER	QTY	LINE	SERIES	BODY	ENGINE	TRANS	TRIM	DESCRIPTION
1									ADAPTER, Parking Brake
	#52128 414AA	1	J						Right
	#52128 415AA	1	J						Left
2	#5093 390AA	1	J						SHOE AND LINING KIT, Parking Brake
3	#5093 392AA	1	J						LEVER, Park Brake Adjusting
4									LEVER, Park Brake
	#5093 334AA	1	J						Right
	#5093 338AA	1	J						Left
5	#5093 393AA	1	J						SPRING, Park Brake Shoe Return
6	4762 126	2	J						PIN, Brake Shoe Hold Down
7	4762 125	2	J						CLIP, Parking Brake Hold Down
8	#5093 391AA	1	J						ADJUSTER, Parking Brake
9	4762 116	1	J						SPRING, Park Brake Shoe Return
10	4762 121	1	J						PLUG, Brake Adjusting Hole
11	#5093 394AA	2	J						SLIPPER, Caliper
12	#5093 395AA	1	J						BOOT, Parking Brake Lever

**JEEP WRANGLER (TJ)**

SERIES	LINE	BODY	ENGINE	TRANSMISSION
H = Sport	J = Wrangler 4WD	77 = 93.4 WB	ED1, ED0 = 2.4L DOHC	DGG, DGD = 32RH 3 Spd Auto
L = SE	U = Wrangler 4WD (RHD)		ERH = 4.0L Power Tech	DDD = 5 Speed HD Manual
M = X				DG0 = Auto. Trans.
P = Sahara				DBB = Manual Trans.
S = Rubicon				DDK = 5 Speed Manual

AR = Use as required - = Non illustrated part # = New this model year

September 29, 2003

# Group – 005

## Service Brakes

### GROUP 5 - Service Brakes

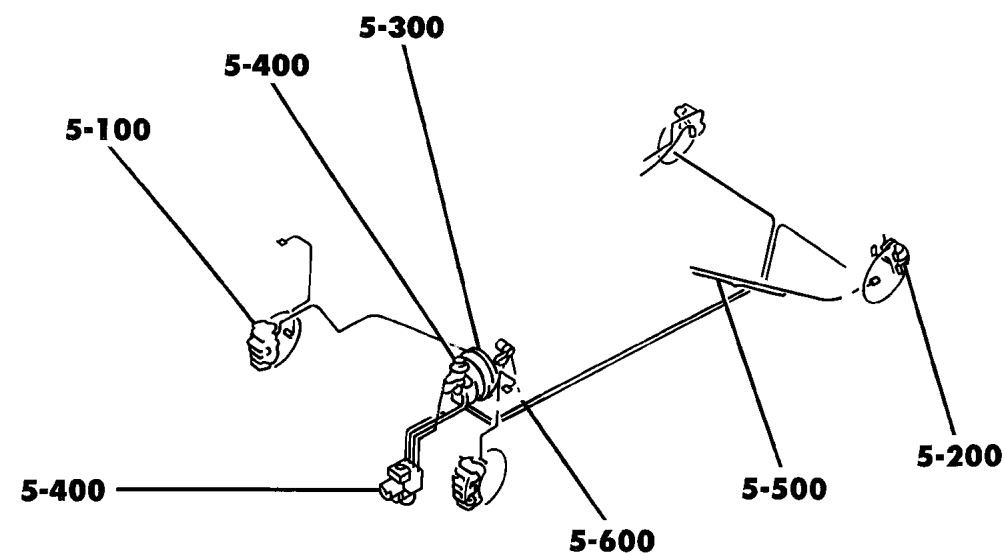


Illustration Title

Group-Fig. No.

#### Front Brakes

Front Brakes ..... Fig. 005-110

#### Rear Brakes

Brakes,Rear,Disc ..... Fig. 005-210

Brakes,Rear,Drum ..... Fig. 005-220

#### Power Brake Booster

Power Brake Booster ..... Fig. 005-310

#### Brake Master Cylinder

Master Cylinder ..... Fig. 005-410

#### Brake Lines and Hoses

Hydraulic Control Unit,Anti-lock ..... Fig. 005-510

Brake Lines and Hoses,Front,LHD and Rear,LHD,RHD,without ABS ..... Fig. 005-520

Brake Lines and Hoses,Front,RHD,without ABS ..... Fig. 005-530

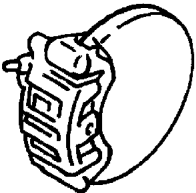
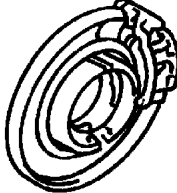
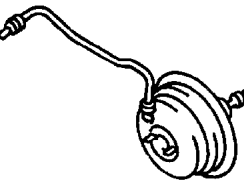
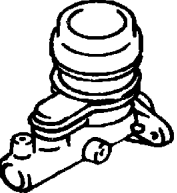
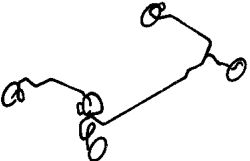

Brake Lines and Hoses Front,LHD,with ABS ..... Fig. 005-540

Brake Lines and Hoses Rear,LHD,with ABS ..... Fig. 005-550

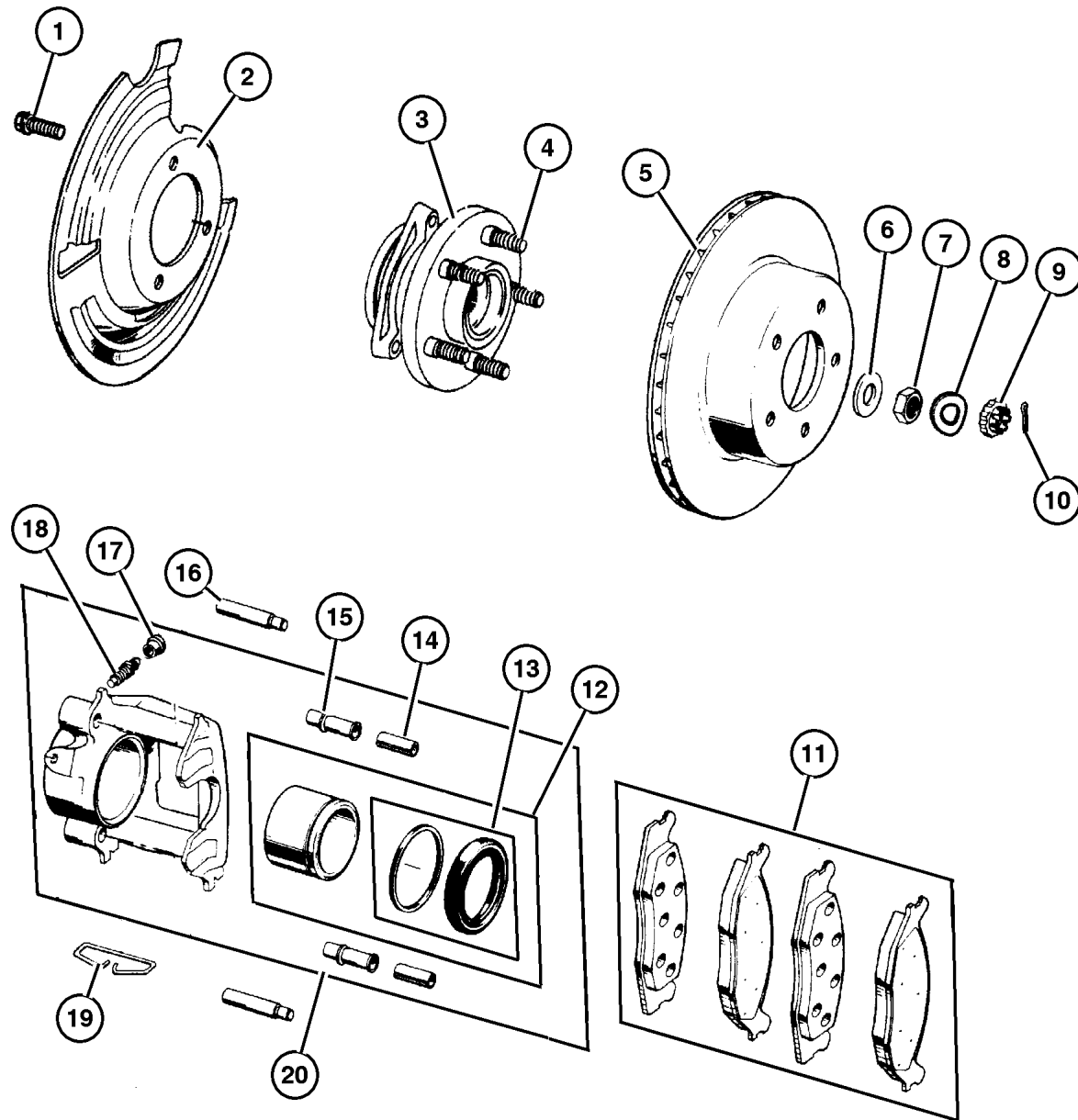
#### Brake Pedals

Brake Pedal,LHD ..... Fig. 005-610

Brake Pedal,RHD ..... Fig. 005-620

<p><b>005-100</b> Front Brakes</p> 	<p><b>005-200</b> Rear Brakes</p> 	<p><b>005-300</b> Power Brake Booster</p> 	<p><b>005-400</b> Brake Master Cylinder</p> 
<p><b>005-500</b> Brake Lines and Hoses</p> 	<p><b>005-600</b> Brake Pedals</p> 		

## Front Brakes Figure 005-110



ITEM	PART NUMBER	QTY	LINE	SERIES	BODY	ENGINE	TRANS	TRIM	DESCRIPTION
1									BOLT
	3420 1535	6	J						Knuckle to Hub and Bearing, Mounting
		6	U						Knuckle to Hub and Bearing, Mounting
2									SHIELD, Brake
	5200 5476	1	J						Right
	5200 5477	1	J						Left
		1	U						Right
	5200 5476	1	U						Left
3									HUB AND BEARING, Brake
	5016 458AA	2	J						
		2	U						
4									STUD, Hub
	6036 482AA	10	J						
		10	U						
5									ROTOR, Brake
	5016 434AA	2	J						
		2	U						
6									WASHER, Flat
	J420 0096	2	J						
		2	U						
7									NUT, Hex
	J420 0095	2	J						
		2	U						
8									WASHER, Wave
	4740 749	2	J						
		2	U						
9									RETAINER, Hub Nut
	J420 0097	2	J						
		2	U						
10									PIN, Cotter, M4x40.00
	1101 0069	2	J						
		2	U						
11									PAD KIT, Front Disc Brake
	4883 344AD	1	J						
		1	U						
12									PISTON, Brake
	5252 614	2	J						
		2	U						
13									BOOT AND SEAL, Disc Brake

### JEEP WRANGLER (TJ)

SERIES  
H = Sport  
L = SE  
M = X  
P = Sahara  
S = Rubicon

LINE  
J = Wrangler 4WD  
U = Wrangler 4WD (RHD)

BODY  
77 = 93.4 WB

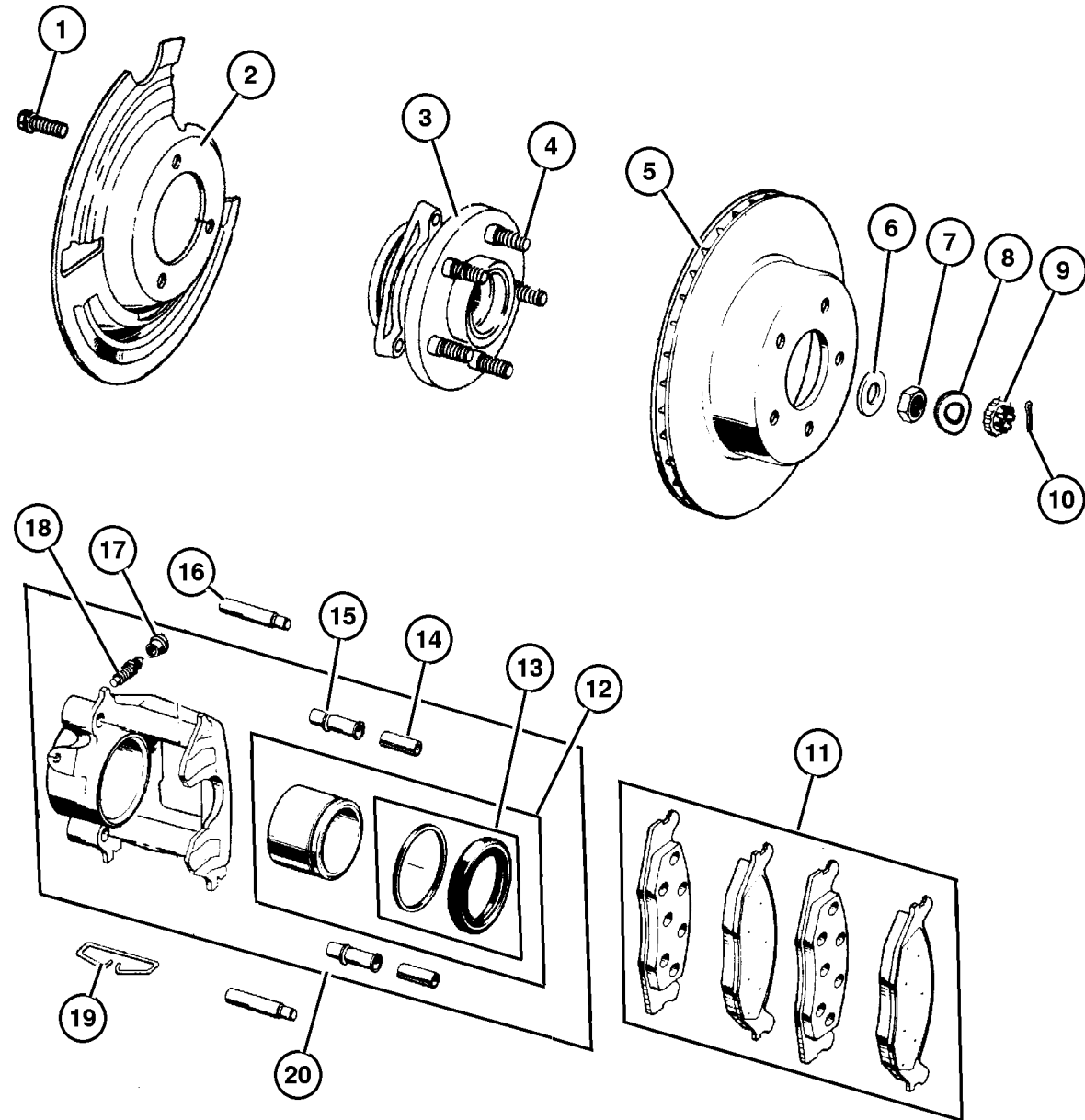
ENGINE  
ED1, ED0 = 2.4L DOHC  
ERH = 4.0L Power Tech

TRANSMISSION  
DGG, DGD = 32RH 3 Spd Auto  
DDD = 5 Speed HD Manual  
DGO = Auto. Trans.  
DDB = Manual Trans.  
DDK = 5 Speed Manual

AR = Use as required - = Non illustrated part # = New this model year

September 29, 2003

## Front Brakes Figure 005-110



ITEM	PART NUMBER	QTY	LINE	SERIES	BODY	ENGINE	TRANS	TRIM	DESCRIPTION
	J813 3852	2	J						
		2	U						
14	4383 471	4	J						BUSHING, Disc Brake Caliper
		4	U						
15	4423 573	4	J						SLEEVE, Disc Brake Caliper
		4	U						
16	5253 000	4	J						PIN, Caliper
		4	U						
17	4238 717	2	J						CAP, Bleeder
		2	U						
18	J320 3313	2	J						SCREW, Bleeder
		2	U						
19	J323 9865	4	J						CLIP, Brake Caliper
		4	U						
20	5252 984	1	J						CALIPER, Disc Brake
	5252 985	1	J						Right
	5252 984	1	U						Left
	5252 985	1	U						Right
		1	U						Left

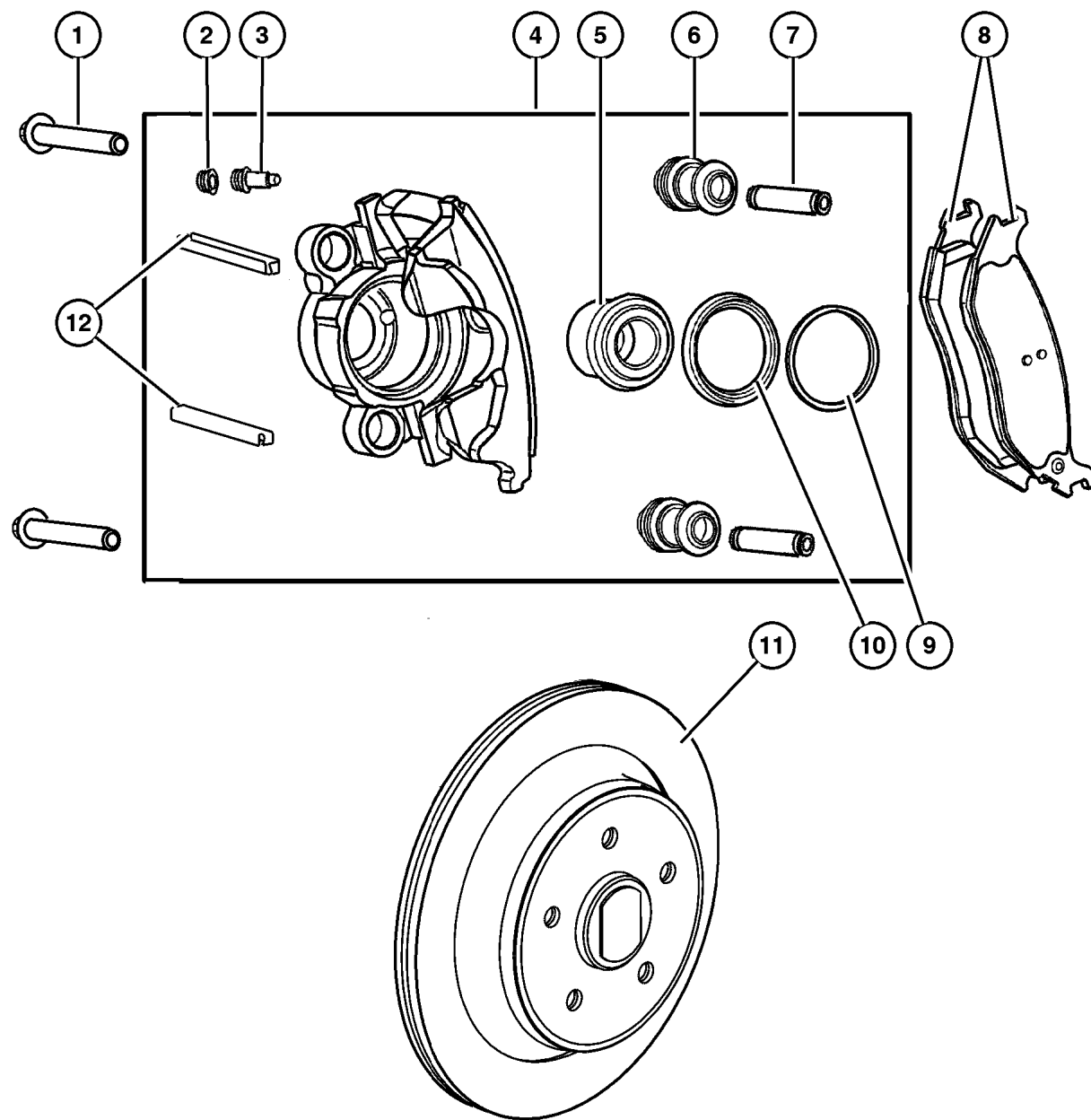
**JEEP WRANGLER (TJ)**

SERIES	LINE	BODY	ENGINE	TRANSMISSION
H = Sport	J = Wrangler 4WD	77 = 93.4 WB	ED1, ED0 = 2.4L DOHC	DGG, DGD = 32RH 3 Spd Auto
L = SE	U = Wrangler 4WD (RHD)		ERH = 4.0L Power Tech	DDD = 5 Speed HD Manual
M = X				DG0 = Auto. Trans.
P = Sahara				DBB = Manual Trans.
S = Rubicon				DDK = 5 Speed Manual

AR = Use as required - = Non illustrated part # = New this model year

September 29, 2003

Brakes,Rear,Disc  
Figure 005-210



ITEM	PART NUMBER	QTY	LINE	SERIES	BODY	ENGINE	TRANS	TRIM	DESCRIPTION
1	5253 000	4	J						PIN, Caliper
2	#5093 278AA	1	J						CAP, Bleeder
3	J092 0463	1	J						BLEEDER SCREW, Brake
4	#5093 542AA	1	J						CALIPER, Disc Brake Right
	#5093 543AA	1	J						Left
5	#5093 275AA	1	J						PISTON, Brake
6	4762 106	2	J						BUSHING, Caliper
7	4762 105	2	J						SLEEVE, Brake Caliper
8	#5093 511AA	1	J						PAD KIT, Disc Brake
9	#5093 276AA	1	J						SEAL, Caliper Piston
10	#5093 277AA	1	J						BOOT, Brake Piston
11	#52128 411AA	2	J						ROTOR, Brake
12	#5093 394AA	2	J						SLIPPER, Caliper

JEEP WRANGLER (TJ)

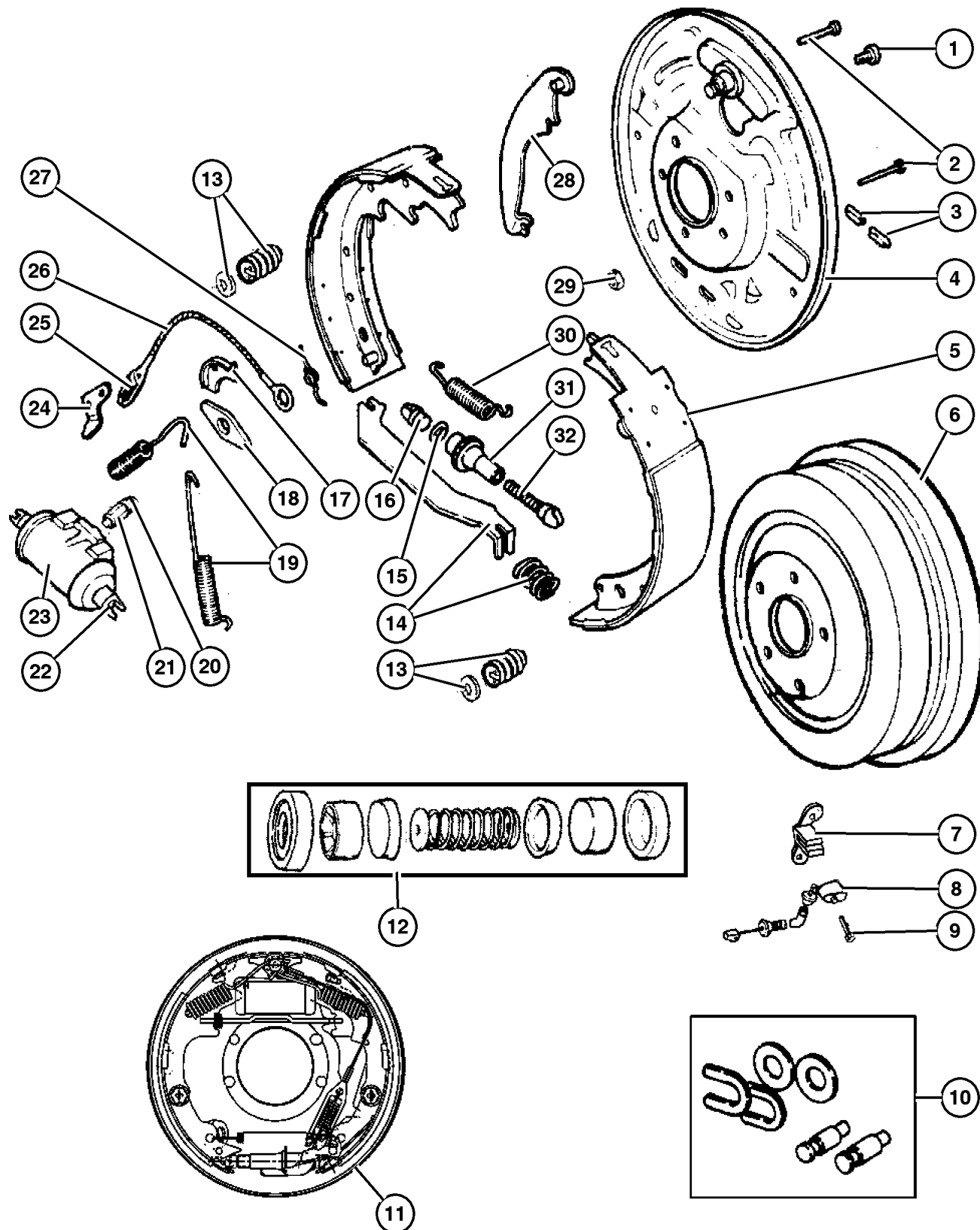
SERIES	LINE	BODY	ENGINE	TRANSMISSION
H = Sport	J = Wrangler 4WD	77 = 93.4 WB	ED1, ED0 = 2.4L DOHC	DGG, DGD = 32RH 3 Spd Auto
L = SE	U = Wrangler 4WD (RHD)		ERH = 4.0L Power Tech	DDD = 5 Speed HD Manual
M = X				DG0 = Auto. Trans.
P = Sahara				DBB = Manual Trans.
S = Rubicon				DDK = 5 Speed Manual

AR = Use as required - = Non illustrated part # = New this model year

September 29, 2003



**Brakes,Rear,Drum**  
**Figure 005-220**



ITEM	PART NUMBER	QTY	LINE	SERIES	BODY	ENGINE	TRANS	TRIM	DESCRIPTION
Note:Sales Codes;									
BGA=Brakes,- Power Front Disc/Rear Drums									
BGK=Brakes - 4-Wheel Antilock									
1	4423 678	2	J						BOLT, Wheel Cylinder Mounting
2	2260 548	2	J						PIN, Brake Shoe Hold Down
3	4238 721	3	J						PLUG, Brake Adjusting Hole
4	5017 760AA	1	J						PLATE, Brake Backing
	5017 761AA	1	J						[BGA], Right
	4856 718AB	1	J						[BGA], Left
	4856 719AB	1	J						[BGK], Right
	5017 760AA	1	J						[BGK], Left
5	5017 760AA	1	U						[BGA], Right
	5017 761AA	1	U						[BGA], Left
	5019 536AA	1	J						SHOE AND LINING KIT, drum
6	5200 5350	2	J						DRUM, Brake
		2	U						
7	5200 7804	1	J						BRACKET, Brake Sensor
	5200 7805	1	J						[BGK], Right
									[BGK], Left
8	5602 7728	1	J						SENSOR, Anti-Lock Brakes
	5602 7729	1	J						[BGK], Right
									[BGK], Left
9	5016 372AA	1	J						BOLT, Sensor, Mounting
10	4049 681	1	J						HARDWARE PACKAGE, Rear Brake
		1	U						
11	52008 664AC	1	J						BRAKE ASSEMBLY, Rear Drum
	52008 665AC	1	J						[BGA] Complete Less Drum, Right
	52008 666AC	1	J						[BGA] Complete Less Drum, Left
	52008 667AC	1	J						[BGK] Complete Less Drum, Right
	52008 667AC	1	J						[BGK] Complete Less Drum, Left
	52008 664AC	1	U						[BGA] Complete Less Drum, Right

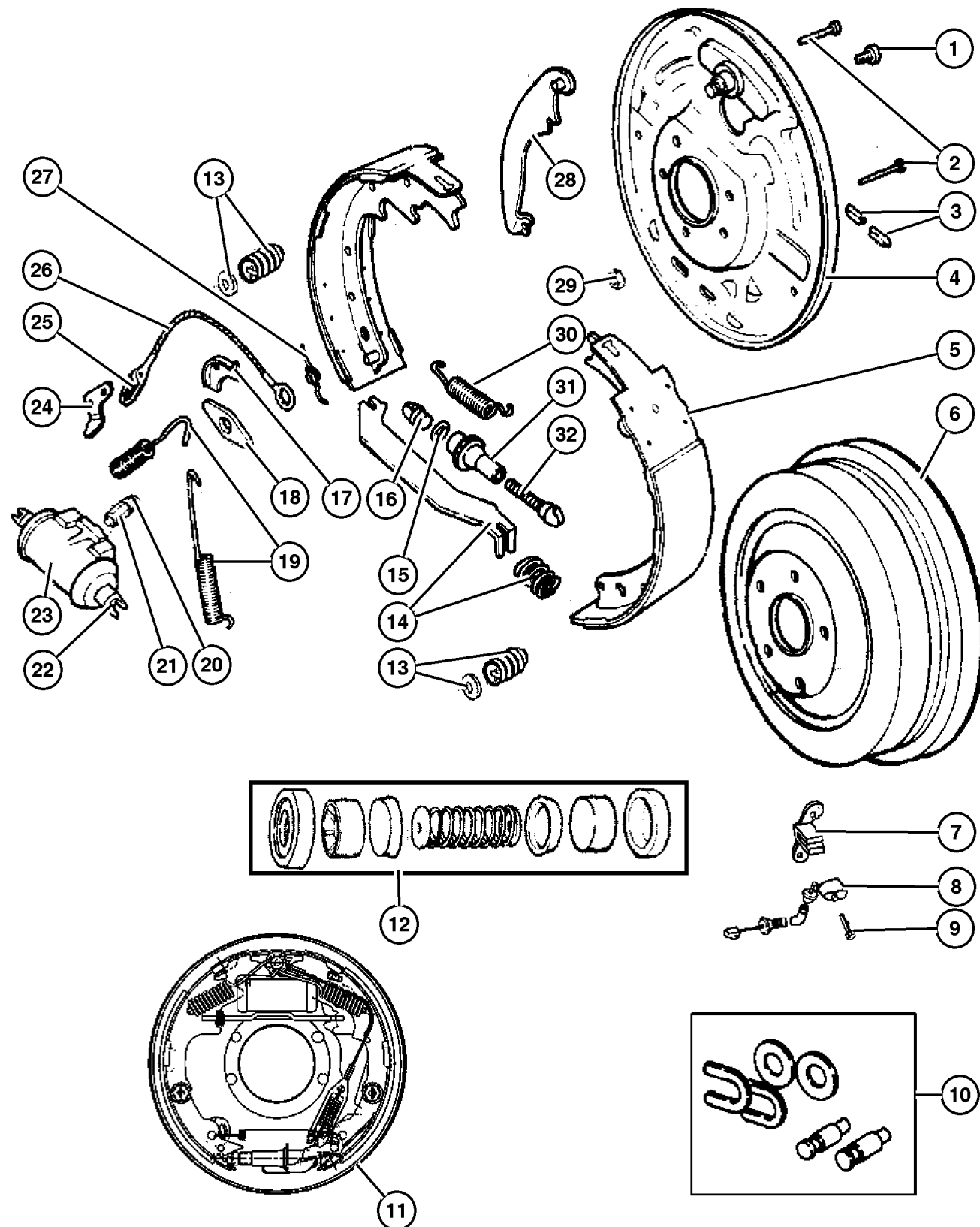
**JEEP WRANGLER (TJ)**

SERIES	LINE	BODY	ENGINE	TRANSMISSION
H = Sport	J = Wrangler 4WD	77 = 93.4 WB	ED1, ED0 = 2.4L DOHC	DGG, DGD = 32RH 3 Spd Auto
L = SE	U = Wrangler 4WD (RHD)		ERH = 4.0L Power Tech	DDD = 5 Speed HD Manual
M = X				DG0 = Auto. Trans.
P = Sahara				DBB = Manual Trans.
S = Rubicon				DDK = 5 Speed Manual

AR = Use as required - = Non illustrated part # = New this model year

September 29, 2003

## Brakes, Rear, Drum Figure 005-220



ITEM	PART NUMBER	QTY	LINE	SERIES	BODY	ENGINE	TRANS	TRIM	DESCRIPTION
	52008 665AC	1	U						[BGA] Complete Less Drum, Left REPAIR KIT, Wheel Cylinder
12	5252 631	1	J						
		1	U						
13									SPRING, Brake Shoe Hold Down
	4313 062	2	J						
		2	U						
14									STRUT, Parking Brake
	4713 590	1	J						
		1	U						
15									WASHER, Adjuster Button
	6027 559	1	J						
		1	U						
16									BUTTON, Rear Brake Auto Adjust
	2944 586	1	J						
		1	U						
17									GUIDE, Brake Adjusting Cable
	4313 074	1	J						
		1	U						
18									PLATE, Brake Shoe Guide
	4313 075	1	J						
		1	U						
19									SPRING, Brake Shoe Return
	2881 676	2	J						
		2	U						
20									CAP, Bleeder
	4238 717	1	J						
		1	U						
21									SCREW, Bleeder
	3766 674	1	J						
		1	U						
22									LINK, Brake, Part of Brake Shoe (Not Serviced)
									(NOT REQUIRED)
									(NOT SERVICED)
23									CYLINDER, Wheel
	4313 056	1	J						
		1	U						
24									LEVER, Park Brake Adjusting
	4761 759	1	J						
		1	U						
25									SPRING, Adjuster Cable

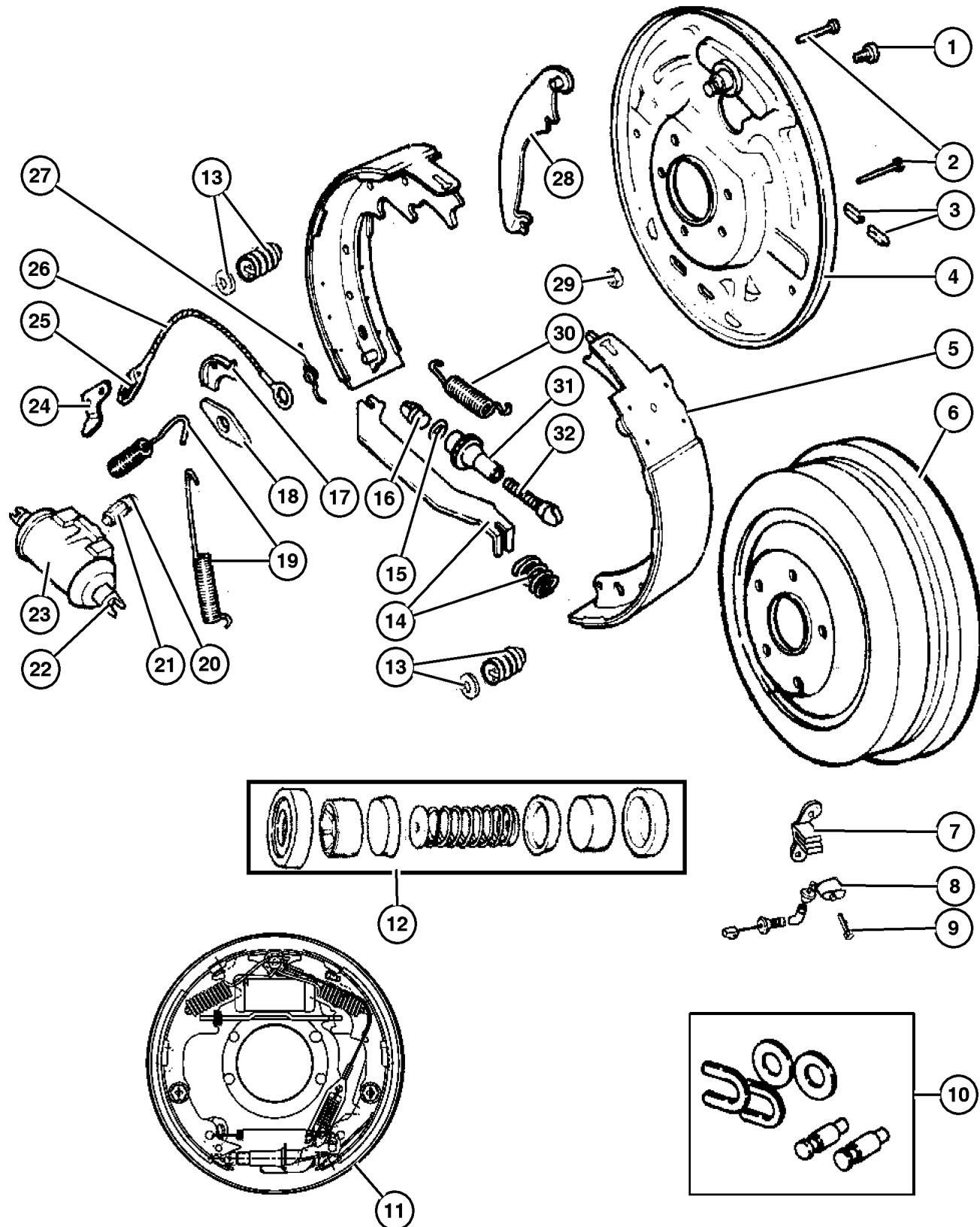
**JEEP WRANGLER (TJ)**

<b>SERIES</b>	<b>LINE</b>	<b>BODY</b>	<b>ENGINE</b>	<b>TRANSMISSION</b>
H = Sport	J = Wrangler 4WD	77 = 93.4 WB	ED1, ED0 = 2.4L DOHC	DGG, DGD = 32RH 3 Spd Auto
L = SE	U = Wrangler 4WD (RHD)		ERH = 4.0L Power Tech	DDD = 5 Speed HD Manual
M = X				DG0 = Auto. Trans.
P = Sahara				DBB = Manual Trans.
S = Rubicon				DDK = 5 Speed Manual

AR = Use as required - = Non illustrated part # = New this model year

September 29, 2003

Brakes,Rear,Drum  
Figure 005-220



ITEM	PART NUMBER	QTY	LINE	SERIES	BODY	ENGINE	TRANS	TRIM	DESCRIPTION
	3461 660	1	J						
26		1	U						CABLE, Brake Automatic Adjuster
	3461 662	1	J						
		1	U						
27									SPRING, Brake Auto Adjuster Lever
	2944 580	1	J						Right
	2944 581	1	J						Left
	2944 580	1	U						Right
	2944 581	1	U						Left
28									LEVER, Park Brake
	4313 810	1	J						Right
	4313 811	1	J						Left
	4313 810	1	U						Right
	4313 811	1	U						Left
29									NUT
	6034 988	8	J						Backing Plate to Axle Housing, Mounting
		8	U						Backing Plate to Axle Housing, Mounting
30									SPRING, Brake Shoe to Shoe
	4423 085	1	J						
		1	U						
31									NUT, Rear Brake Auto Adjust Pivot
	2944 692	1	J						Right
	2944 693	1	J						Left
	2944 692	1	U						Right
	2944 693	1	U						Left
32									SCREW, Brake Adjusting
	4423 898	1	J						Right
	4423 899	1	J						Left
	4423 898	1	U						Right
	4423 899	1	U						Left

JEEP WRANGLER (TJ)

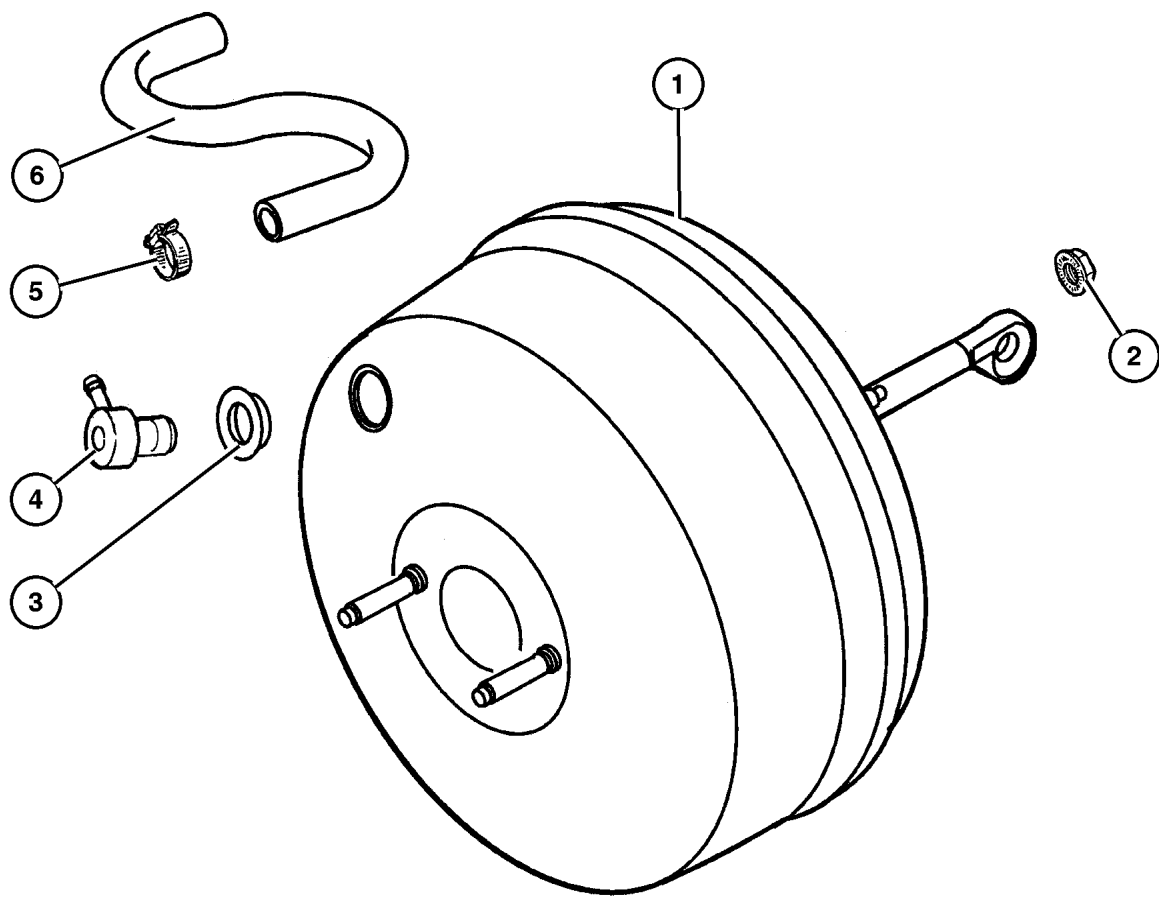
SERIES	LINE	BODY	ENGINE	TRANSMISSION
H = Sport	J = Wrangler 4WD	77 = 93.4 WB	ED1, ED0 = 2.4L DOHC	DGG, DGD = 32RH 3 Spd Auto
L = SE	U = Wrangler 4WD (RHD)		ERH = 4.0L Power Tech	DDD = 5 Speed HD Manual
M = X				DG0 = Auto. Trans.
P = Sahara				DBB = Manual Trans.
S = Rubicon				DDK = 5 Speed Manual

AR = Use as required - = Non illustrated part # = New this model year

September 29, 2003

**Power Brake Booster  
Figure 005-310**

ITEM	PART NUMBER	QTY	LINE	SERIES	BODY	ENGINE	TRANS	TRIM	DESCRIPTION
Note:Sales Codes;									
[EP0]=Engines - All 2.5L 4 Cylinder Gas									
[ER0]=Engines - All 4.0L 6 Cylinder Gas									
1	4798 158AC	1							BOOSTER, Power Brake
2	J400 3909	4							NUT, Hex Flange With Serration, Booster to Dash, Mounting
3	4883 813AA	1							GROMMET, Brake Booster Check Valve
4	4584 098	1							VALVE, Brake Booster Check
5	2448 770	2							CLAMP, Hose
6									HOSE, Brake Booster
	#52128 433AB	1	J						[ED0]
	3879 277	1	J						[ER0]
	52128 389AA	1	U						[ER0]

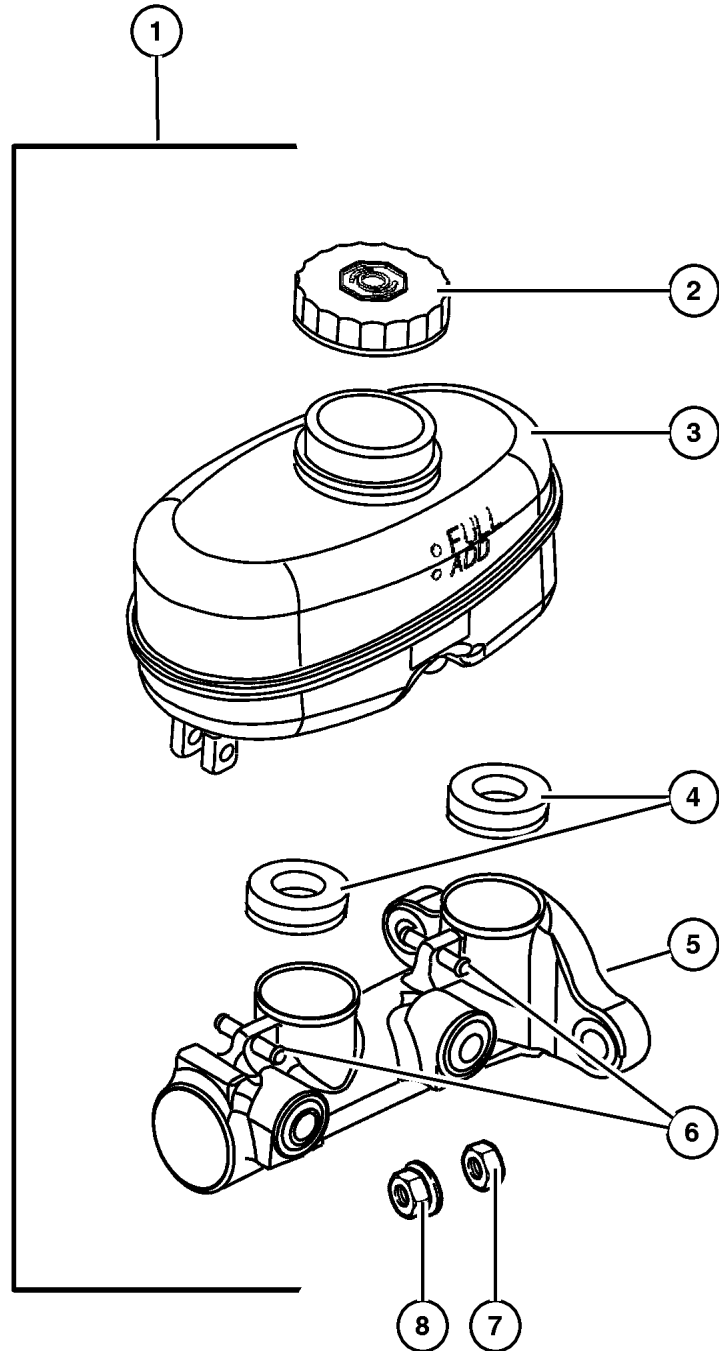


<b>JEEP WRANGLER (TJ)</b>				
SERIES	LINE	BODY	ENGINE	TRANSMISSION
H = Sport	J = Wrangler 4WD	77 = 93.4 WB	ED1, ED0 = 2.4L DOHC	DGG, DGD = 32RH 3 Spd Auto
L = SE	U = Wrangler 4WD (RHD)		ERH = 4.0L Power Tech	DDD = 5 Speed HD Manual
M = X				DG0 = Auto. Trans.
P = Sahara				DBB = Manual Trans.
S = Rubicon				DDK = 5 Speed Manual

AR = Use as required - = Non illustrated part # = New this model year

September 29, 2003

**Master Cylinder  
Figure 005-410**



ITEM	PART NUMBER	QTY	LINE	SERIES	BODY	ENGINE	TRANS	TRIM	DESCRIPTION
1	4798 157	1							MASTER CYLINDER, Brake
2	4683 656	1							CAP, Master Cylinder Reservoir
3	4761 943	1							RESERVOIR, Brake Master Cylinder
4	4723 389	2							GROMMET, Master Cylinder Reservoir
5	4723 395	1							SEAL, Master Cylinder To Booster
6	4723 394	2							PIN, Master Cylinder Reservoir
7	6502 524	2							NUT, Hex Lock, M8x1.25, Master Cylinder to Brake Booster Stud, Mounting
8	3420 1711	2							NUT, Hex Flange, M8x1.25, Combination Valve Bracket to Master Cylinder Stud, Mounting

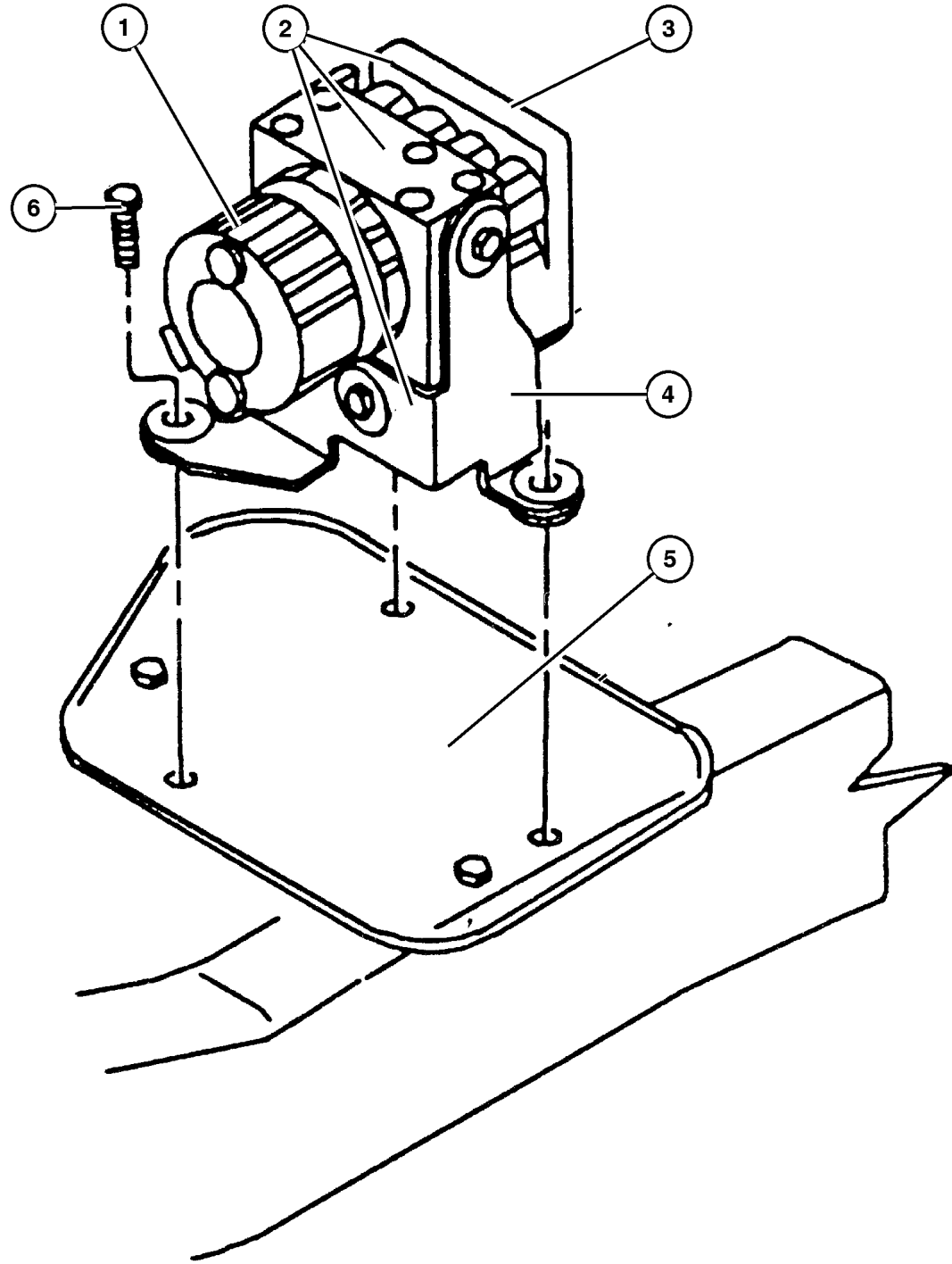
**JEEP WRANGLER (TJ)**

SERIES	LINE	BODY	ENGINE	TRANSMISSION
H = Sport	J = Wrangler 4WD	77 = 93.4 WB	ED1, ED0 = 2.4L DOHC	DGG, DGD = 32RH 3 Spd Auto
L = SE	U = Wrangler 4WD (RHD)		ERH = 4.0L Power Tech	DDD = 5 Speed HD Manual
M = X				DG0 = Auto. Trans.
P = Sahara				DBB = Manual Trans.
S = Rubicon				DDK = 5 Speed Manual

AR = Use as required - = Non illustrated part # = New this model year

September 29, 2003

**Hydraulic Control Unit, Anti-lock  
Figure 005-510**



ITEM	PART NUMBER	QTY	LINE	SERIES	BODY	ENGINE	TRANS	TRIM	DESCRIPTION
1	5073 778AA	1							CONTROL UNIT, Anti-Lock Brake
2	52128 487AA	1							CONTROL UNIT, Anti-Lock Brake, Complete Assembly with Items 1, 3,4
3	5073 793AA	1							MODULE, Anti-lock Brakes
4	5066 564AA	1							BRACKET, Brake Control Unit, HCU, Mounting
5	55176 141AB	1	J						BRACKET, ABS Sensor HCU Mounting Tray
	5517 6142	1	U						HCU Mounting Tray
6	3420 1888	3							SCREW, Hex Head, HCU Bracket to Tray, Mounting

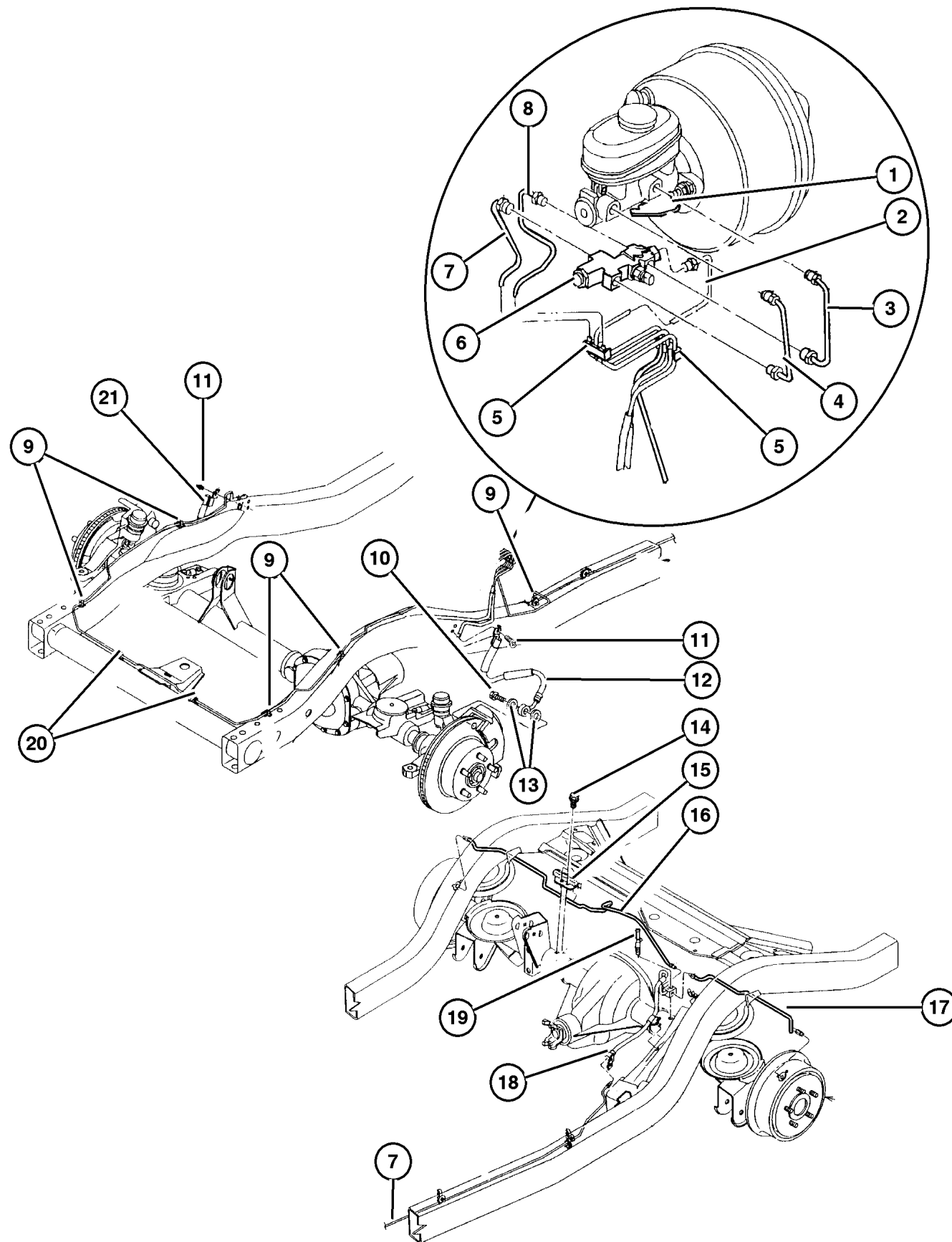
**JEEP WRANGLER (TJ)**

SERIES	LINE	BODY	ENGINE	TRANSMISSION
H = Sport	J = Wrangler 4WD	77 = 93.4 WB	ED1, ED0 = 2.4L DOHC	DGG, DGD = 32RH 3 Spd Auto
L = SE	U = Wrangler 4WD (RHD)		ERH = 4.0L Power Tech	DDD = 5 Speed HD Manual
M = X				DG0 = Auto. Trans.
P = Sahara				DBB = Manual Trans.
S = Rubicon				DDK = 5 Speed Manual

AR = Use as required - = Non illustrated part # = New this model year

September 29, 2003

**Brake Lines and Hoses,Front,LHD and Rear,LHD,RHD,without ABS**  
**Figure 005-520**



ITEM	PART NUMBER	QTY	LINE	SERIES	BODY	ENGINE	TRANS	TRIM	DESCRIPTION
Note:Sales Codes;									
[DRJ]=Axle - Rear,Dana M35/194MM									
[DRK]=Axle - Rear,Dana 44/226MM									
1	5212 7970	1							BRACKET, Brake Valve
2	#52008 443AB	1	J						TUBE, Brake, Proportioning Valve to Left Front Brake Hose
3	#52008 399AB	1							TUBE, Brake, Master Cylinder to Proportioning Valve, Secondary
4	#52008 398AB	1							TUBE, Brake, Master Cylinder to Proportioning Valve, Primary
5	52128 245AB	2							CLIP, Brake Tube, Line Spacer
6	5083 808AA	1							VALVE, Proportioning
7	#52008 385AB	1	J						TUBE, Brake, Proportioning Valve to Rear Brake Hose
8	#52008 442AD	1	J						TUBE, Brake, Proportioning Valve to Right Front Brake Hose, Right Front
9	3420 2688	5	J						CLIP, Latch&Line, Brake Line to Frame, Mounting
10	6035 832	2							BOLT, Banjo, Brake Hose, Mounting
11	3420 1670	2							SCREW, Pan Head, M8-1.25x13, Front brake Hose to Frame, Mounting
12	52008 675AC	1							HOSE, Brake, Left Front
13	6035 886	4							GASKET, Brake Hose To Caliper, Mounting
14	3420 1912	2							SCREW, Self Tapping, M6x1x14, Brake Tube Shield to Axle Tube, Mounting
15	5212 8189	1							SHIELD, Brake Line, Rear Axle
16	#52008 402AC	1							TUBE, Brake [DRJ]
	#52009 092AD	1							[DRK]
17	#52008 403AC	1							TUBE, Brake [DRJ]
	#52009 093AD	1							[DRK]
18	5200 8391	1							HOSE, Brake Rear
	#52128 430AB	1							[BRW], Right Rear
	#52128 431AB	1							[BRW], Left Rear
19	4137 696	1							SCREW, Brake Tee, .437-20x2.07, Axle Vent and Hose, Mounting

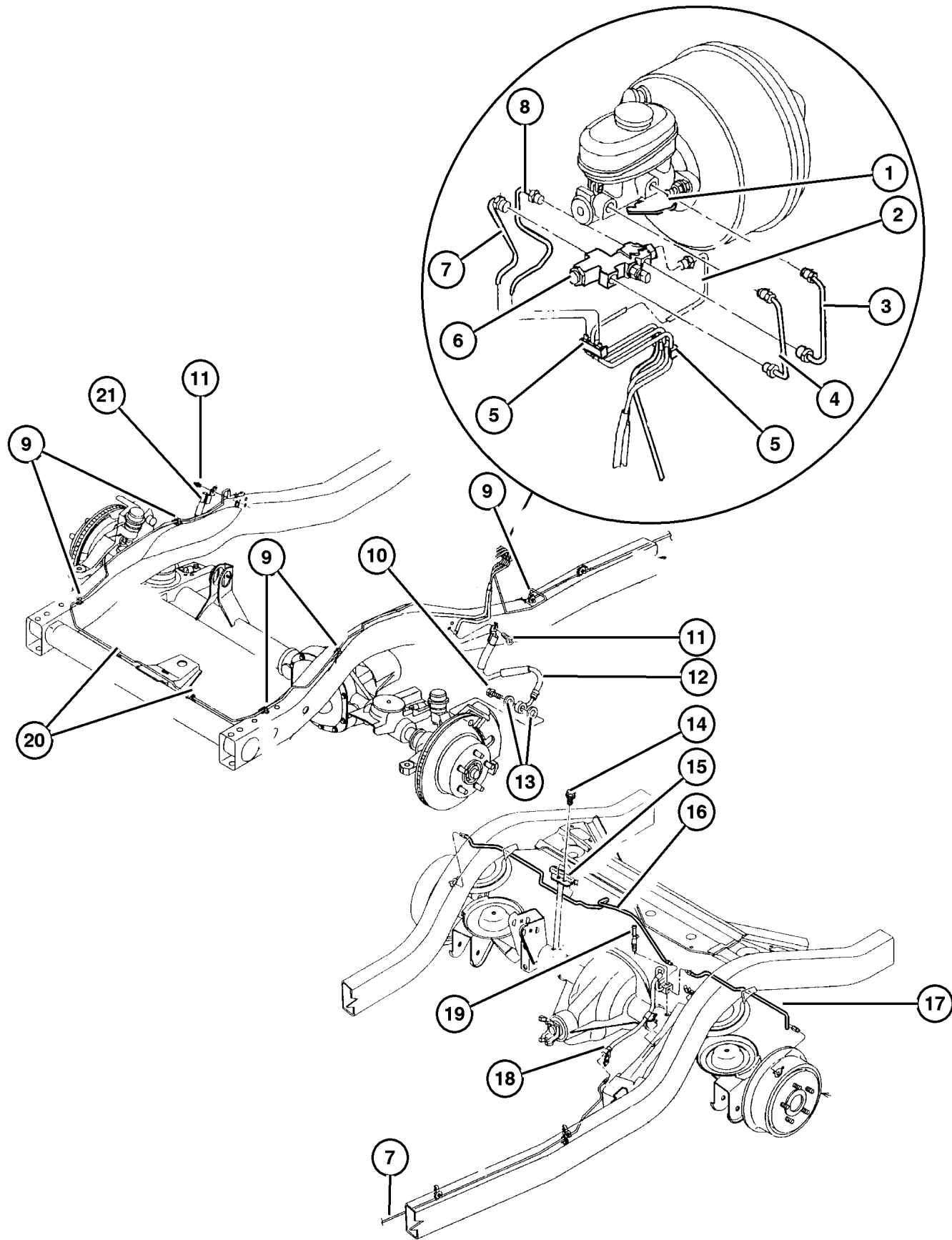
**JEEP WRANGLER (TJ)**

SERIES	LINE	BODY	ENGINE	TRANSMISSION
H = Sport	J = Wrangler 4WD	77 = 93.4 WB	ED1, ED0 = 2.4L DOHC	DGG, DGD = 32RH 3 Spd Auto
L = SE	U = Wrangler 4WD (RHD)		ERH = 4.0L Power Tech	DDD = 5 Speed HD Manual
M = X				DG0 = Auto. Trans.
P = Sahara				DBB = Manual Trans.
S = Rubicon				DDK = 5 Speed Manual

AR = Use as required - = Non illustrated part # = New this model year

September 29, 2003

**Brake Lines and Hoses,Front,LHD and Rear,LHD,RHD,without ABS**  
**Figure 005-520**



ITEM	PART NUMBER	QTY	LINE	SERIES	BODY	ENGINE	TRANS	TRIM	DESCRIPTION
20	5212 8175	2							CLIP, Brake Attaching Tube, 3 Way Brake Tube to Front Frame, Mounting
21	52008 674AC	1	U						HOSE, Brake, Right Front

**JEEP WRANGLER (TJ)**

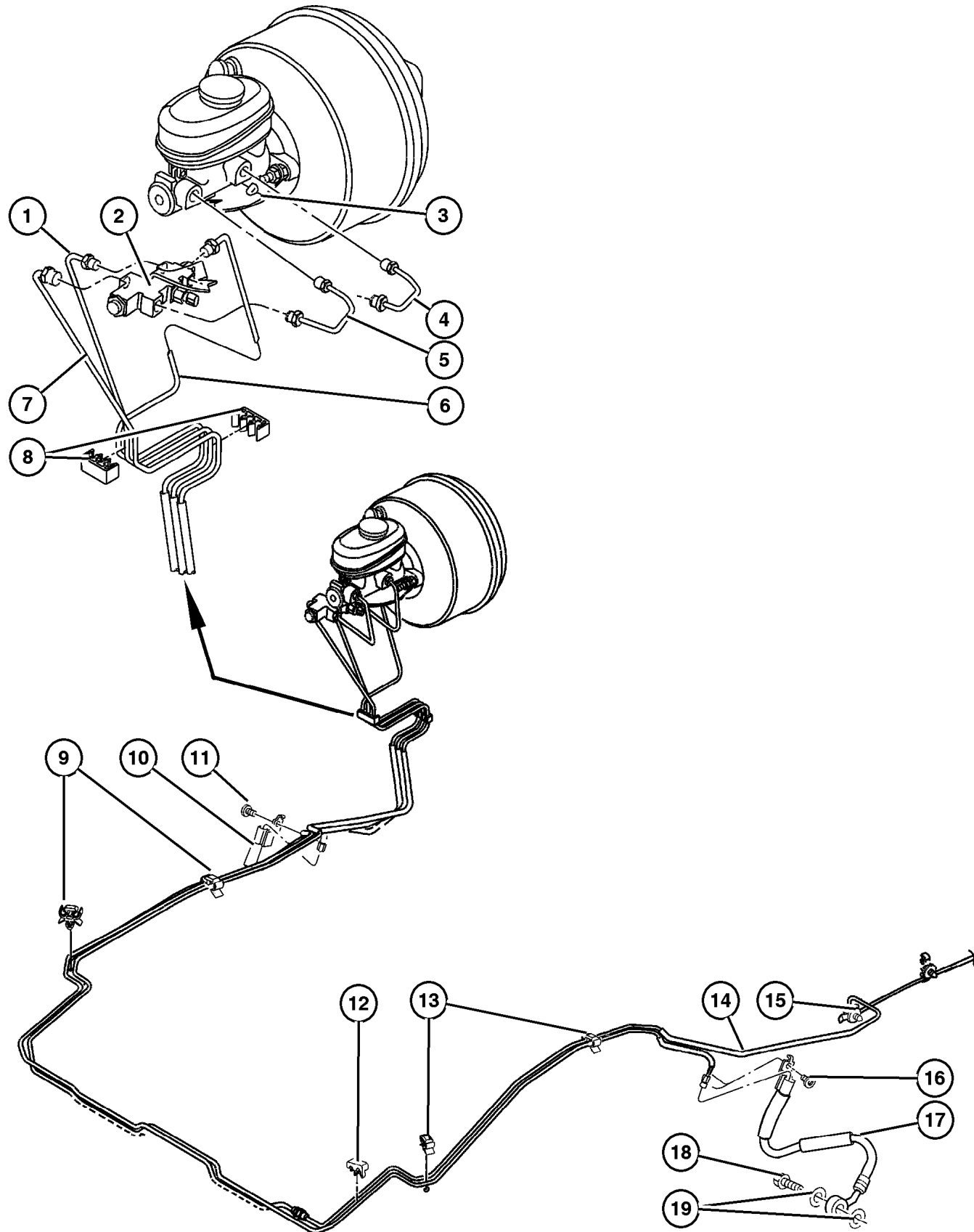
<b>SERIES</b>	<b>LINE</b>	<b>BODY</b>	<b>ENGINE</b>	<b>TRANSMISSION</b>
H = Sport	J = Wrangler 4WD	77 = 93.4 WB	ED1, ED0 = 2.4L DOHC	DGG, DGD = 32RH 3 Spd Auto
L = SE	U = Wrangler 4WD (RHD)		ERH = 4.0L Power Tech	DDD = 5 Speed HD Manual
M = X				DG0 = Auto. Trans.
P = Sahara				DBB = Manual Trans.
S = Rubicon				DDK = 5 Speed Manual

AR = Use as required - = Non illustrated part # = New this model year

September 29, 2003



**Brake Lines and Hoses,Front,RHD,without ABS**  
**Figure 005-530**



ITEM	PART NUMBER	QTY	LINE	SERIES	BODY	ENGINE	TRANS	TRIM	DESCRIPTION
1	#52009 095AE	1	U						TUBE, Brake, Proportioning Valve to Left Front Brake Hose
2	5083 808AA	1							VALVE, Proportioning
3	5212 7970	1							BRACKET, Brake Valve
4	#52008 399AB	1							TUBE, Brake, Master Cylinder to Proportioning Valve, Secondary
5	#52008 398AB	1							TUBE, Brake, Master Cylinder to Proportioning Valve, Primary
6	#52009 094AC	1	U						TUBE, Brake, Proportioning Valve to Tube Coupling
7	#52008 930AD	1	U						TUBE, Brake, Proportioning Valve to Right Front Brake Hose
8	52128 245AB	2							CLIP, Brake Tube, 3 Way, Mounting
9	5212 8175	2							CLIP, Brake Attaching Tube, 3 Way, Brake Line to Frame, Mounting
10	52008 674AC	1							HOSE, Brake, Right
11	3420 1670	2							SCREW, Pan Head, M8-1.25x13, Hose to Frame, Mounting
12	5200 8940	1							CLIP, Brake Line, 2 Way, Mounting
13	5212 8175	2							CLIP, Brake Attaching Tube, 3 Way, Brake Line to Frame, Mounting
14	#52008 982AE	1	U						TUBE, Brake, Tube Coupling to Rear Brake Hose
15	3420 2688	1	U						CLIP, Latch&Line, 1 Way, Mounting
16	3420 1670	2							SCREW, Pan Head, M8-1.25x13, Hose to Frame, Mounting
17	52008 675AC	1							HOSE, Brake, Left
18	6035 832	2							BOLT, Banjo, Right or Left
19	6035 886	4							GASKET, Brake Hose To Caliper, Mounting

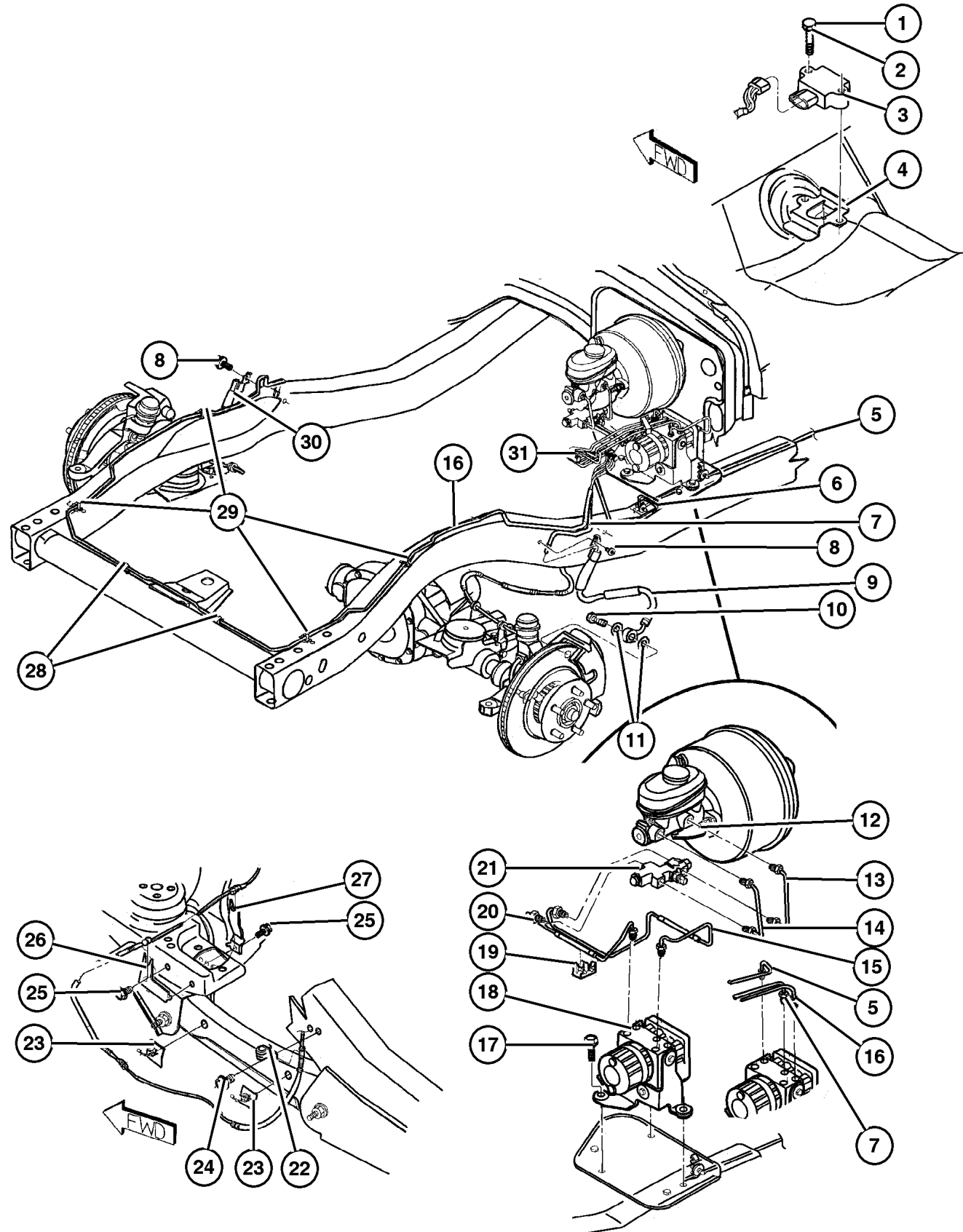
**JEEP WRANGLER (TJ)**

SERIES	LINE	BODY	ENGINE	TRANSMISSION
H = Sport	J = Wrangler 4WD	77 = 93.4 WB	ED1, ED0 = 2.4L DOHC	DGG, DGD = 32RH 3 Spd Auto
L = SE	U = Wrangler 4WD (RHD)		ERH = 4.0L Power Tech	DDD = 5 Speed HD Manual
M = X				DG0 = Auto. Trans.
P = Sahara				DBB = Manual Trans.
S = Rubicon				DDK = 5 Speed Manual

AR = Use as required - = Non illustrated part # = New this model year

September 29, 2003

**Brake Lines and Hoses Front,LHD,with ABS**  
**Figure 005-540**



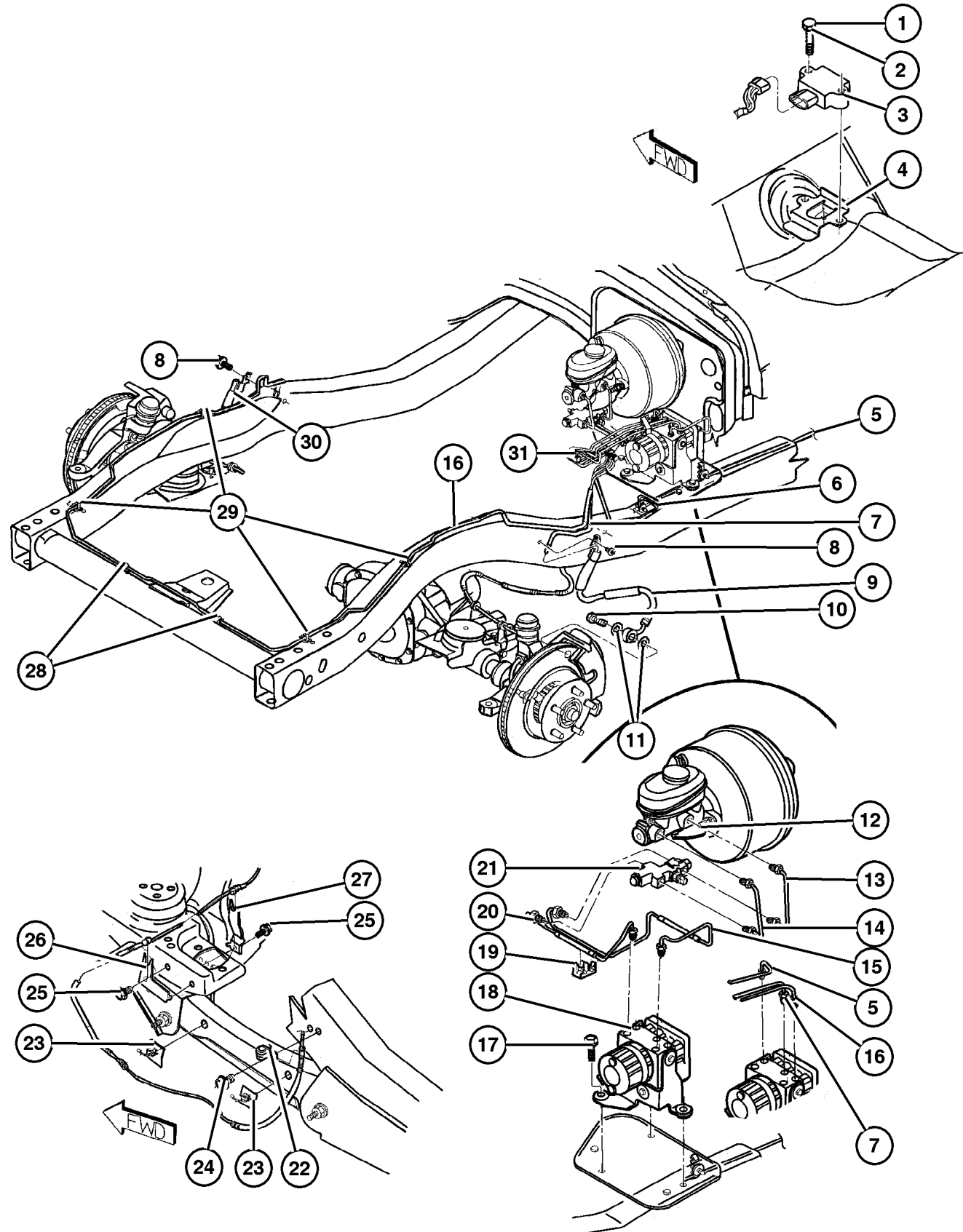
ITEM	PART NUMBER	QTY	LINE	SERIES	BODY	ENGINE	TRANS	TRIM	DESCRIPTION
1	6035 991AA	2							SCREW, Hex Flange Head, Acceleration Switch-Up To and Including 01-02-03, Mounting
2	#6503 343	2							SCREW, Acceleration Switch-01-03-03 and After
3	56006 315AB	1							SWITCH, Anti Lock Brake Accelerat Up To and Including 01-02-03
	#56053 024AA	1							01-03-03 and After
4	55177 252AA	1							BRACKET, ABS Sensor, Mounting
5	#52128 482AB	1	J						TUBE, Brake, HCU to Rear Brake Hose
6	3420 2688	5	J						CLIP, Latch&Line
7	#52128 484AB	1	J						TUBE, Brake, HCU to Left Front
8	3420 1670	2							Brake Hose
9	52008 675AC	1							SCREW, Pan Head, M8-1.25x13, Brake Hose to Frame, Mounting
10	6035 832	2							HOSE, Brake, Front, Left
11	6035 886	4							BOLT, Banjo, Front Brake Hose, Mounting
12	5212 7970	1							GASKET, Brake Hose To Caliper, Mounting
13	#52008 399AB	1							BRACKET, Brake Valve, Mounting
14	#52008 398AB	1							TUBE, Brake, Master Cylinder to Proportioning Valve, Secondary
15	#52128 485AB	1	J						TUBE, Brake, Master Cylinder to Proportioning Valve, Primary
16	#52128 483AB	1	J						HOSE, Brake, Proportioning Valve to HCU, Secondary
17	3420 1888	3							TUBE, Brake, HCU to Right Front
18	52128 487AA	1							Brake Hose
19	5200 9163	1							SCREW, Hex Head, HCU to Bracket, Mounting
20	#52128 486AB	1	J						CONTROL UNIT, Anti-Lock Brake, with CAB Module
21	5083 807AA	1							CLIP, Brake Line, Spacer, Mounting
22									HOSE, Brake, Proportioning Valve to HCU, Primary
23	5212 8162	4							VALVE, Proportioning
									CLIP, Brake Speed Sensor, (NOT SERVICED) (Not Serviced)
									RETAINER, Push On, ABS Sensor Wire

**JEEP WRANGLER (TJ)**  
 SERIES LINE BODY ENGINE TRANSMISSION  
 H = Sport J = Wrangler 4WD 77 = 93.4 WB ED1, ED0 = 2.4L DOHC DGG, DGD = 32RH 3 Spd Auto  
 L = SE U = Wrangler 4WD (RHD) ERH = 4.0L Power Tech DDD = 5 Speed HD Manual  
 M = X DBB = Manual Trans.  
 P = Sahara DDK = 5 Speed Manual  
 S = Rubicon

AR = Use as required - = Non illustrated part # = New this model year

September 29, 2003

**Brake Lines and Hoses Front,LHD,with ABS**  
**Figure 005-540**



ITEM	PART NUMBER	QTY	LINE	SERIES	BODY	ENGINE	TRANS	TRIM	DESCRIPTION
24	3420 1888	2							SCREW, Hex Head
25	3420 1912	4							SCREW, Self Tapping, M6x1x14
26	5200 8884	1							BRACKET, Shock Absorber Inboard Sensor, Right
	5200 8885	1							Inboard Sensor, Left
27	5200 8780	1							BRACKET, Shock Absorber Outboard Sensor, Right
	5200 8781	1							Outboard Sensor, Left
28	5212 8175	2							CLIP, Brake Attaching Tube, 3 Way, Brake to to Front Frame, Mounting
29	3420 2688	5	J						CLIP, Latch&Line, Brake to to Frame Rail, Mounting
30	52008 674AC	1							HOSE, Brake, Front, Right
31	52128 245AB	2							CLIP, Brake Tube, 3-Way Locking Spacer at Dash, Mounting

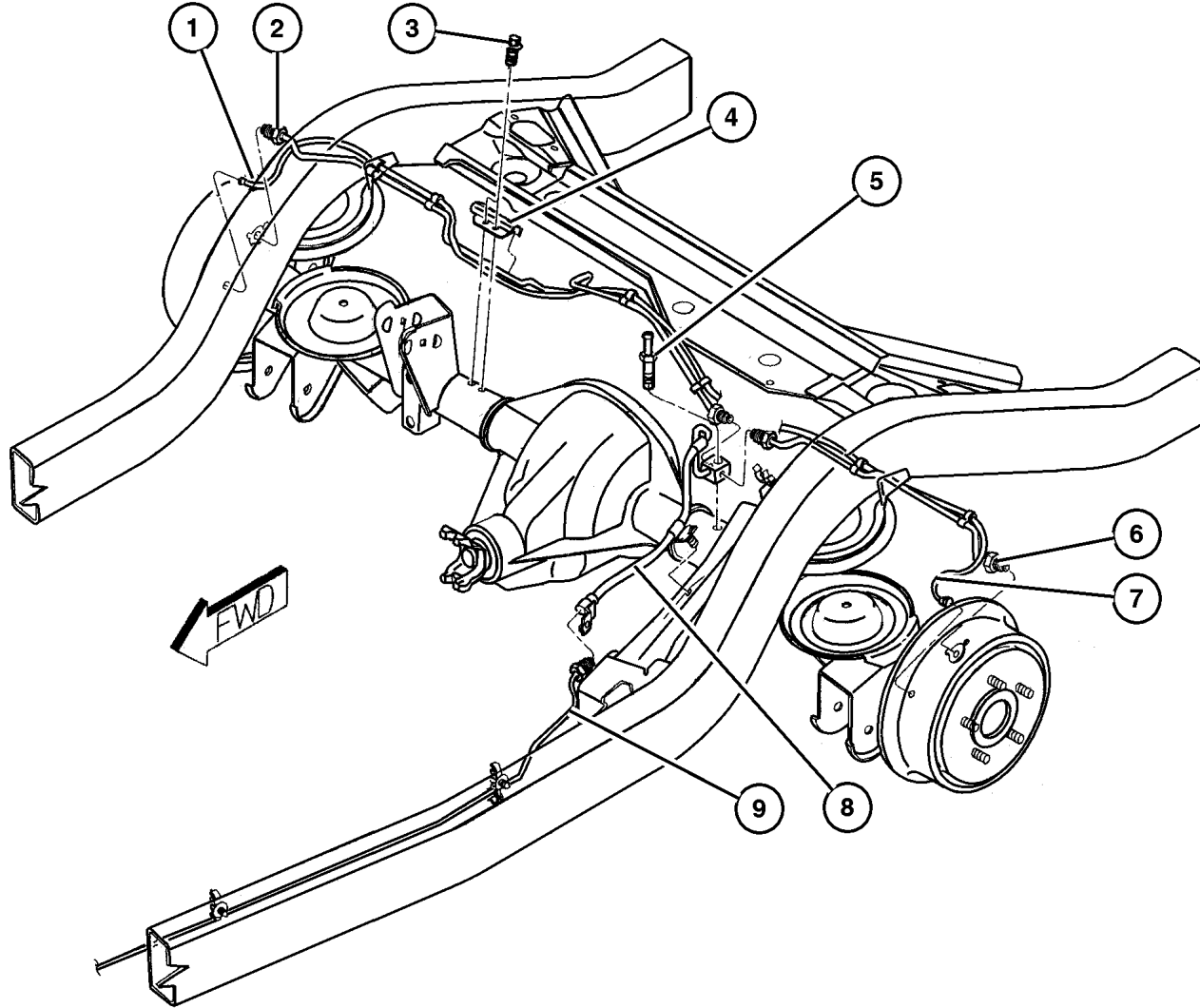
**JEEP WRANGLER (TJ)**

<b>SERIES</b>	<b>LINE</b>	<b>BODY</b>	<b>ENGINE</b>	<b>TRANSMISSION</b>
H = Sport	J = Wrangler 4WD	77 = 93.4 WB	ED1, ED0 = 2.4L DOHC	DGG, DGD = 32RH 3 Spd Auto
L = SE	U = Wrangler 4WD (RHD)		ERH = 4.0L Power Tech	DDD = 5 Speed HD Manual
M = X				DG0 = Auto. Trans.
P = Sahara				DBB = Manual Trans.
S = Rubicon				DDK = 5 Speed Manual

AR = Use as required - = Non illustrated part # = New this model year

September 29, 2003

**Brake Lines and Hoses Rear,LHD,with ABS**  
**Figure 005-550**



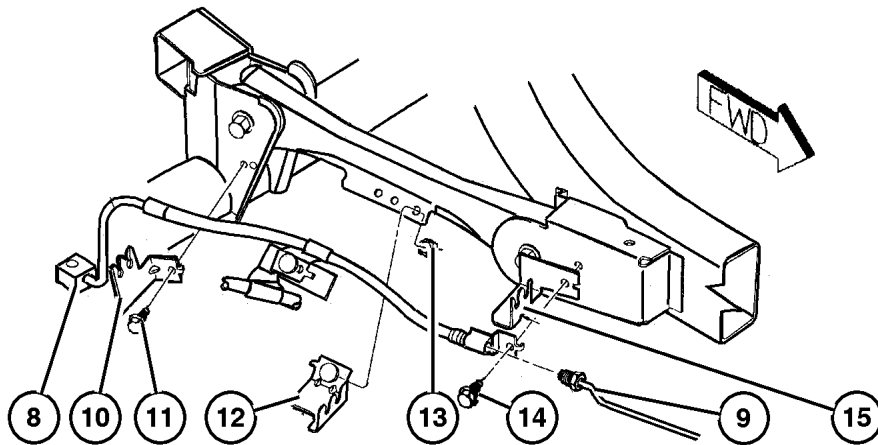
ITEM	PART NUMBER	QTY	LINE	SERIES	BODY	ENGINE	TRANS	TRIM	DESCRIPTION
------	-------------	-----	------	--------	------	--------	-------	------	-------------

Note: Sales Codes

[DRJ]=Axle - Rear,Dana M35/194MM

[DRK]=Axle - Rear,Heavy Duty Dana 44/226MM

1	5602 7728	1	J						SENSOR, Anti-Lock Brakes, Right
2									TUBE, Brake
	#52008 402AC	1							DRJ], Right
	#52009 092AD	1							DRK], Right
3	3420 1912	2							SCREW, Self Tapping, M6x1x14, Brake Line Shield, Mounting
4	5212 8189	1							SHIELD, Brake Line
5	4137 696	1							SCREW, Brake Tee, .437-20x2.07
6									TUBE, Brake
	#52008 403AC	1							DRJ], Left
	#52009 093AD	1							DRK], Left
7	5602 7729	1	J						SENSOR, Anti-Lock Brakes, Left
8	5200 8391	1							HOSE, Brake, Rear
9	#52128 482AB	1	J						TUBE, Brake, HCU to Rear Brake Hose
10	5602 6757	1							BRACKET, Anti-Lock Brake Sensor
11	3420 1912	1							SCREW, Self Tapping, M6x1x14, ABS Sensor Bracket, Mounting
12	5200 8920	1							BRACKET, ABS Sensor, Left
13	6101 695	1							NUT, Hex Flange Lock, Sensor Bracket to Control Arm, Mounting
14	6502 711	1							BOLT, ABS Sensor, Brake Hose to Left Rear Control Arm, Mounting
15	5200 8919	1							BRACKET, ABS Sensor, Frame Rail Sensor Wire, Mounting



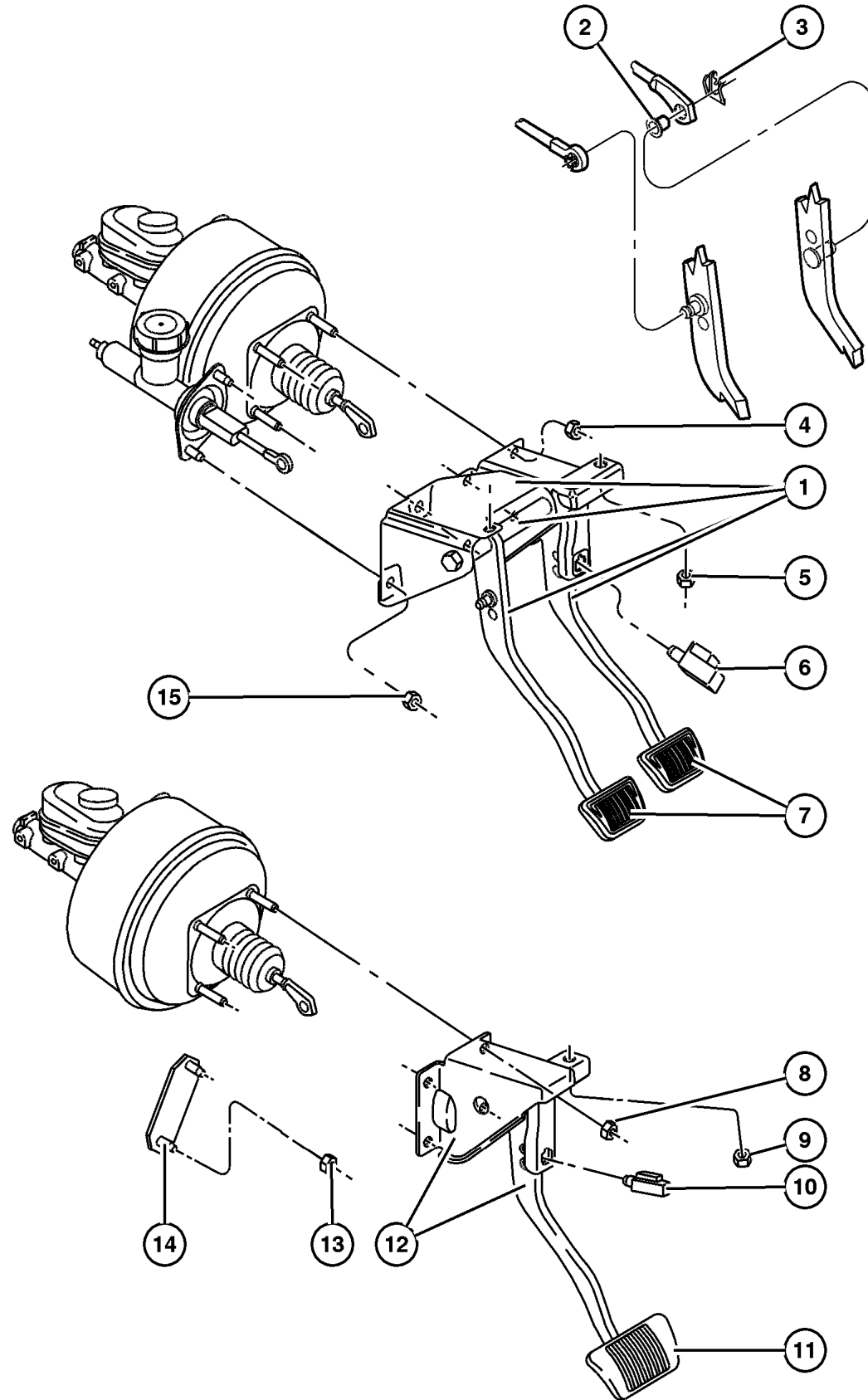
**JEEP WRANGLER (TJ)**

SERIES	LINE	BODY	ENGINE	TRANSMISSION
H = Sport	J = Wrangler 4WD	77 = 93.4 WB	ED1, ED0 = 2.4L DOHC	DGG, DGD = 32RH 3 Spd Auto
L = SE	U = Wrangler 4WD (RHD)		ERH = 4.0L Power Tech	DDD = 5 Speed HD Manual
M = X				DG0 = Auto. Trans.
P = Sahara				DBB = Manual Trans.
S = Rubicon				DDK = 5 Speed Manual

AR = Use as required - = Non illustrated part # = New this model year

September 29, 2003

**Brake Pedal,LHD  
Figure 005-610**



ITEM	PART NUMBER	QTY	LINE	SERIES	BODY	ENGINE	TRANS	TRIM	DESCRIPTION
Note:Sales Codes;									
[DBB]= All Manual Transmissions									
[DG0]=All Automatic Transmissions									
1	52128 017AB	1	J						PEDAL, Brake And Clutch, [DBB]
2	4446 361	1							BUSHING, Hydraulic Clutch Actuator
3	6035 334	1							CLIP, Brake Push Rod
4	J400 3909	4							NUT, Hex Flange With Serration, Booster to Dash, Mounting
5	J400 3909	2							NUT, Hex Flange With Serration, Brake Pedal Support Bracket, Mounting
6	4671 336	1							SWITCH, Stop Lamp
7	5200 2750	2	J						PAD, Pedal, [DBB]
8	J400 3909	4							NUT, Hex Flange With Serration, Booster to Dash, Mounting
9	J400 3909	1							NUT, Hex Flange With Serration, Brake Pedal Support Bracket, Mounting
10	4671 336	1							SWITCH, Stop Lamp
11	4779 027	1	J						PAD, Pedal, [DG0]
12	52129 008AE	1	J						PEDAL, Brake, [DG0]
13	J400 3909	2							NUT, Hex Flange With Serration, Clutch Master Cylinder Cover, Mounting
14	5210 4013	1							COVER, Master Cylinder, [DG0]
15	J400 3909	2							NUT, Hex Flange With Serration, Clutch Master Cylinder, Mounting
-16	4294 639	4	J						BUSHING, Clutch and Brake Pedal, For Pivot Shaft

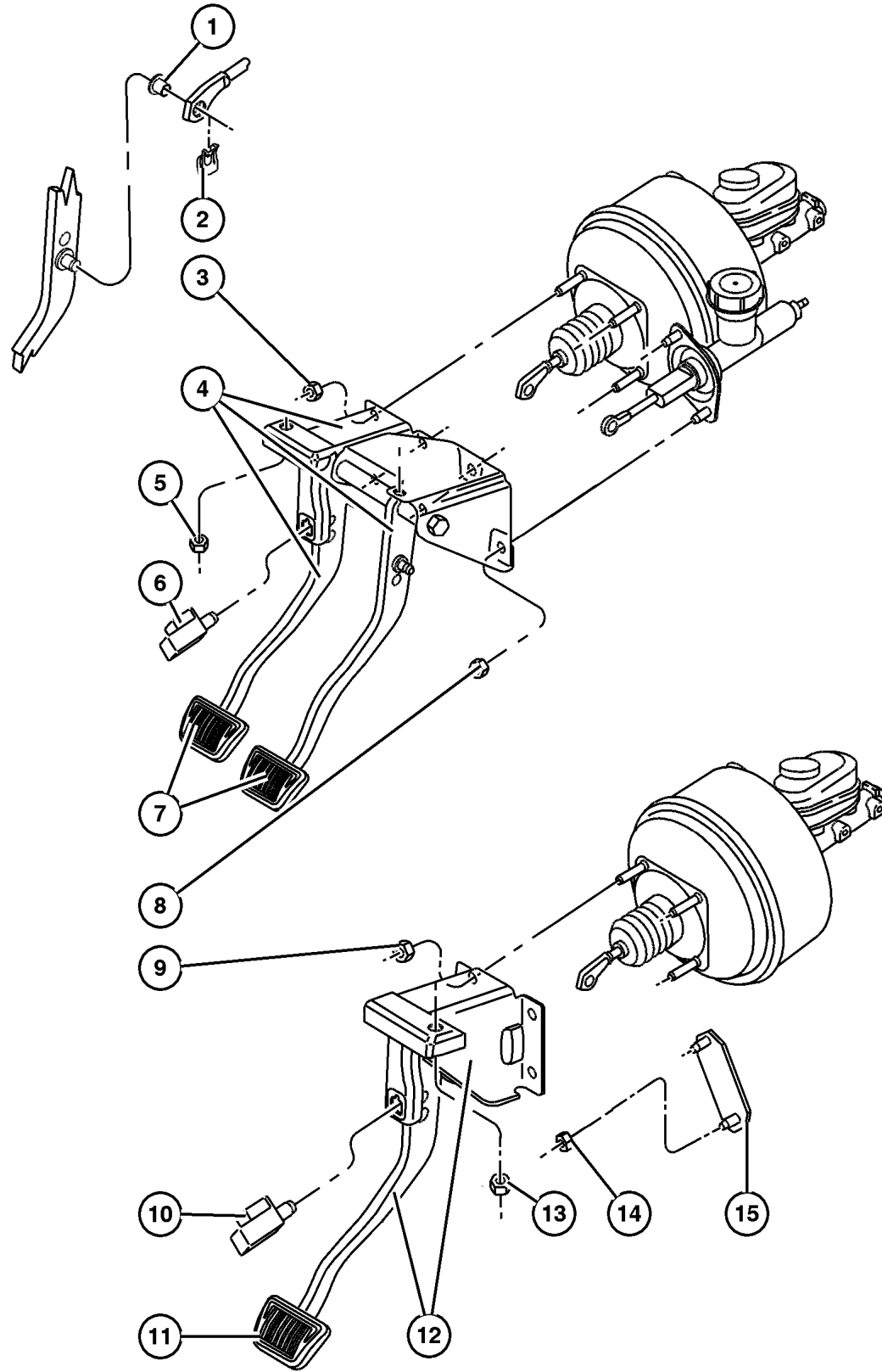
**JEEP WRANGLER (TJ)**

SERIES	LINE	BODY	ENGINE	TRANSMISSION
H = Sport	J = Wrangler 4WD	77 = 93.4 WB	ED1, ED0 = 2.4L DOHC	DGG, DGD = 32RH 3 Spd Auto
L = SE	U = Wrangler 4WD (RHD)		ERH = 4.0L Power Tech	DDD = 5 Speed HD Manual
M = X				DG0 = Auto. Trans.
P = Sahara				DBB = Manual Trans.
S = Rubicon				DDK = 5 Speed Manual

AR = Use as required - = Non illustrated part # = New this model year

September 29, 2003

Brake Pedal,RHD  
Figure 005-620



ITEM	PART NUMBER	QTY	LINE	SERIES	BODY	ENGINE	TRANS	TRIM	DESCRIPTION
1	4446 361	1							BUSHING, Hydraulic Clutch Actuator
2	6035 334	1							CLIP, Brake Push Rod
3	J400 3909	4							NUT, Hex Flange With Serration, Booster to Dash, Mounting
4	52128 052AB	1	U						PEDAL, Brake And Clutch, [DBB]
5	J400 3909	2							NUT, Hex Flange With Serration, Brake Pedal Support Bracket, Mounting
6	4671 336	1							SWITCH, Stop Lamp
7	5200 2750	2	U						PAD, Pedal, [DBB]
8	J400 3909	2							NUT, Hex Flange With Serration, Clutch Master Cylinder, Mounting
9	J400 3909	4							NUT, Hex Flange With Serration, Booster to Dash, Mounting
10	4671 336	1							SWITCH, Stop Lamp
11	4779 027	1	U						PAD, Pedal
12	52129 038AD	1	U						PEDAL, Brake, [DG0]
13	J400 3909	1							NUT, Hex Flange With Serration, Brake Pedal Support Bracket, Mounting
14	J400 3909	2							NUT, Hex Flange With Serration, Clutch Master Cylinder Cover, Mounting
15	5210 4013	1							COVER, Master Cylinder, [DG0]
-16	4294 639	4	U						BUSHING, Clutch and Brake Pedal, For Pivot Shaft

JEEP WRANGLER (TJ)

SERIES  
H = Sport  
L = SE  
M = X  
P = Sahara  
S = Rubicon

LINE  
J = Wrangler 4WD  
U = Wrangler 4WD (RHD)

BODY  
77 = 93.4 WB

ENGINE  
ED1, ED0 = 2.4L DOHC  
ERH = 4.0L Power Tech

TRANSMISSION  
DGG, DGD = 32RH 3 Spd Auto  
DDD = 5 Speed HD Manual  
DG0 = Auto. Trans.  
DBB = Manual Trans.  
DDK = 5 Speed Manual

# Group – 006

## Clutch

### GROUP 6 - Clutch

Illustration Title

Group-Fig. No.

#### Clutch

Clutch ..... Fig. 006-110

#### Clutch Housing

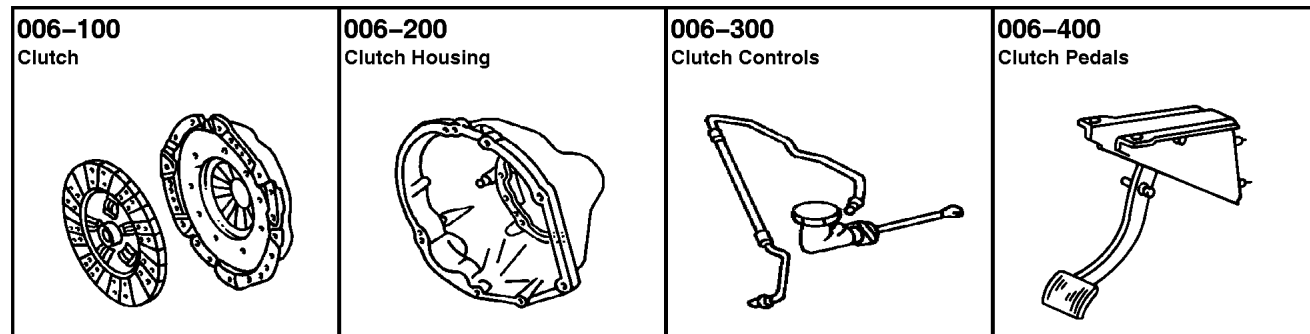
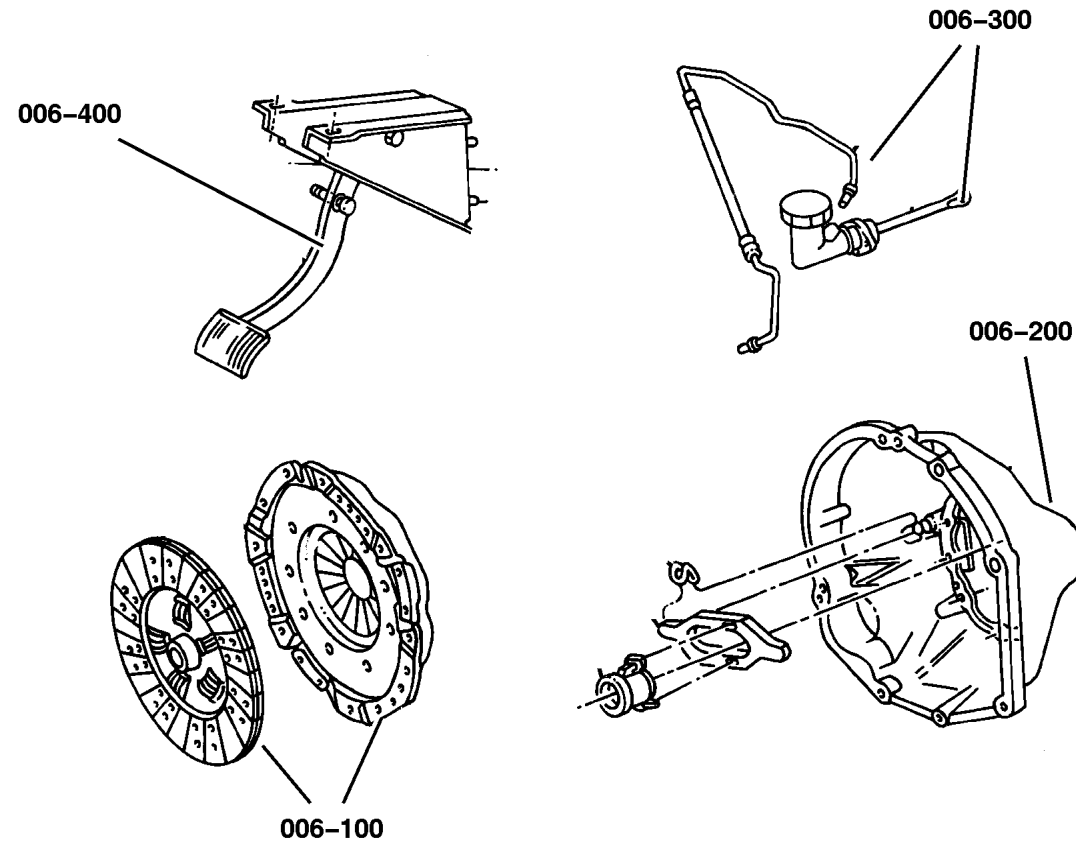
Housing & Pan, Clutch ..... Fig. 006-210

#### Clutch Controls

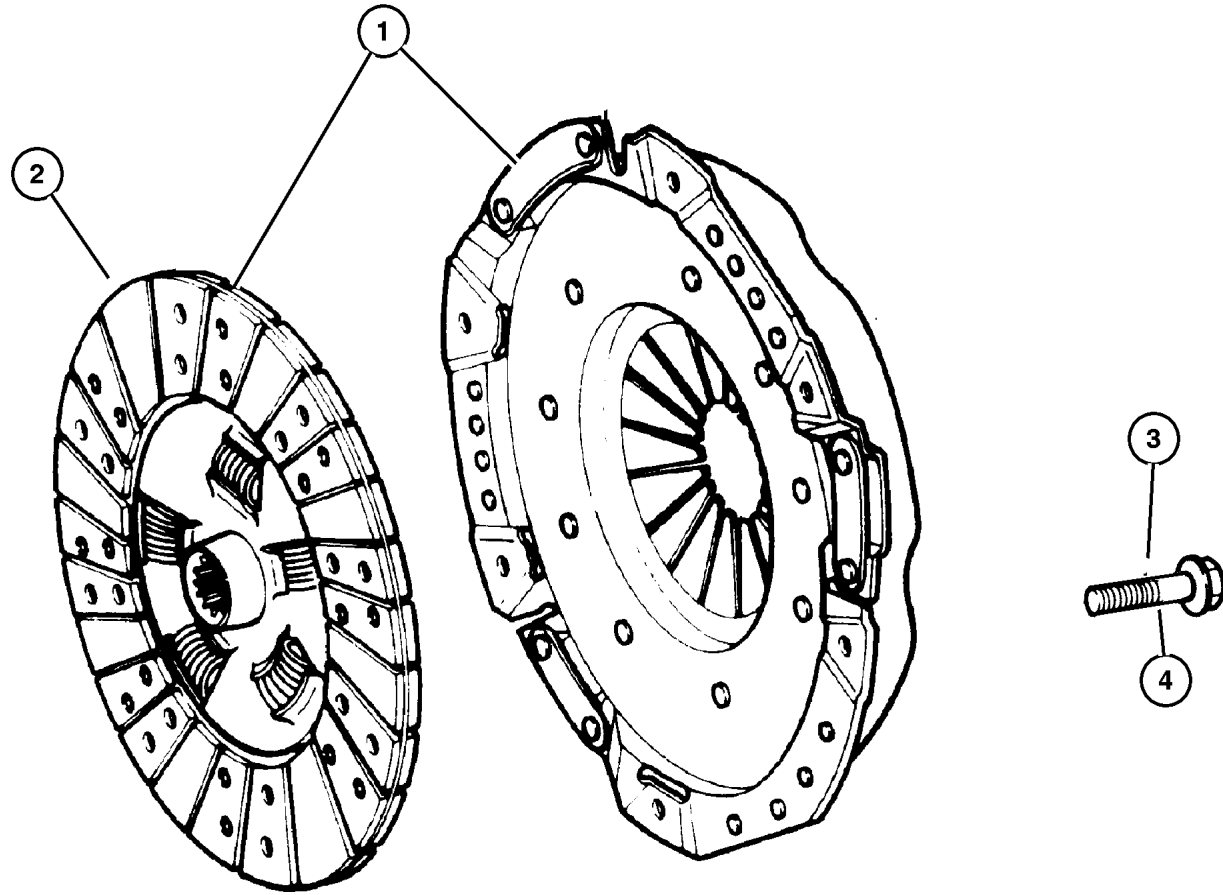
Control, Clutch ..... Fig. 006-310

#### Clutch Pedals

Pedal, Clutch ..... Fig. 006-410



## Clutch Figure 006-110



ITEM	PART NUMBER	QTY	LINE	SERIES	BODY	ENGINE	TRANS	TRIM	DESCRIPTION
------	-------------	-----	------	--------	------	--------	-------	------	-------------

**NOTE:**

Sales Codes

[DBB]=All Manual Transmissions

[DDD]=5 Speed Heavy Duty Manual Transmission

[ED0]=All 2.2,2.4,2.5, L 4 Cylinder Gas Engines

[ER0]=All 4.0L 6 Cylinder Engine

1									CLUTCH PACKAGE
	5015 606AA	1				ER0	DDD		
	#5093 973AA	1				ED0	DBB		
2									DISC, Clutch
	52104 581AB	1				ED0	DBB		
	52104 363AA	1				ER0	DDD		
3	6035 626	6				ER0	DBB		BOLT, Hex Head, .375-16x.84
4	6501 474	6				ED0	DBB		BOLT, Hex Head, M8x1.25x16

**JEEP WRANGLER (TJ)**

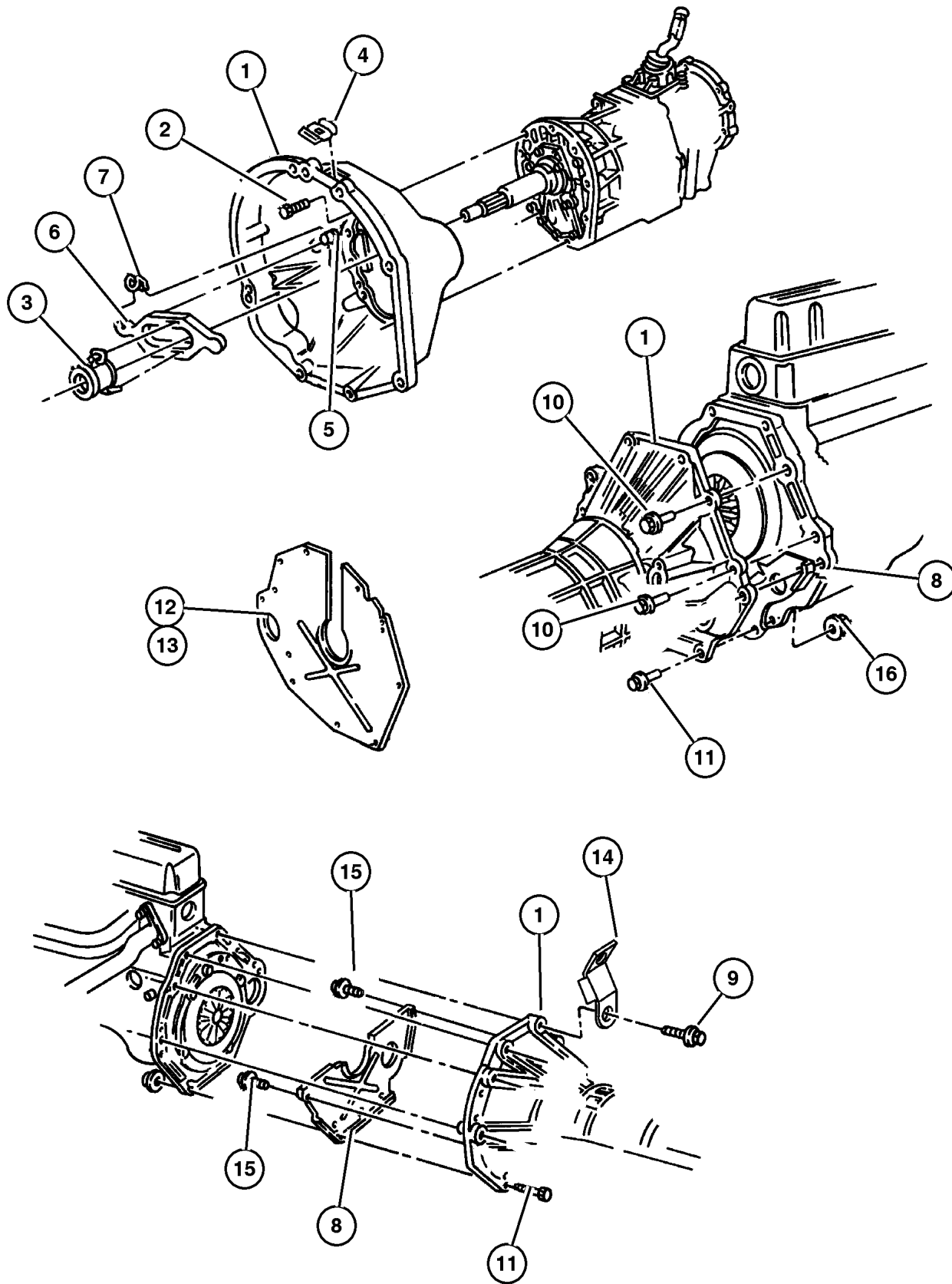
SERIES	LINE	BODY	ENGINE	TRANSMISSION
H = Sport	J = Wrangler 4WD	77 = 93.4 WB	ED1, ED0 = 2.4L DOHC	DGG, DGD = 32RH 3 Spd Auto
L = SE	U = Wrangler 4WD (RHD)		ERH = 4.0L Power Tech	DDD = 5 Speed HD Manual
M = X				DG0 = Auto. Trans.
P = Sahara				DBB = Manual Trans.
S = Rubicon				DDK = 5 Speed Manual

AR = Use as required - = Non illustrated part # = New this model year

September 29, 2003



## Housing & Pan, Clutch Figure 006-210



ITEM	PART NUMBER	QTY	LINE	SERIES	BODY	ENGINE	TRANS	TRIM	DESCRIPTION
NOTE:									
Sales Codes:									
[DBB]=All Manual Transmissions									
[ED0]=All 2.2,2.4,2.5L \$ Cylinder Gas Engines									
[ER0]=All 4.0L 6 Cylinder Gas Engine									
1	5210 7552	1				ER0	DBB		HOUSING, Clutch
	#52107 786AA	1				ED0	DBB		
2	6503 299	9					DBB		BOLT, Hex Head
	4741 144	4				ED0	DDK		
3	5300 8342	1					DBB		BEARING, Clutch Release
4	5300 6010	1				ER0	DBB		GROMMET, Timing Probe
5	5208 7542	1				ER0	DBB		PIVOT, Clutch Release
		1				ED0	DBB		
6	5210 7555	1					DBB		FORK, Clutch Release
7	4338 855	1					DBB		SPRING, Clutch Release
8	#52104 426AA	1				ER0	DG6		SHIELD, Lower Bell
	#53013 489AA	1				ED0	DBB		
9	J400 7389	2				ER0	DBB		BOLT, Torx
10	6100 202	2				ER0	DBB		SCREW, Hex Head, M12x1.75x50
	6501 742	4				ED0	DBB		
11	6100 202	2				ER0	DBB		SCREW, Hex Head, M12x1.75x50
	6501 742	4				ED0	DBB		
12	5300 4473	1				ER0	DBB		SPACER, Clutch Housing
13	52104 293AB	1				ED0	DBB		SPACER, Bell Housing To Block
14	5209 8522	1				ED0			BRACKET, Tube
15	1150 0986	3				ER0	DBB		BOLT, Hex Flange Head, M8x2.12x16
16	6502 697	2							NUT, Hex Flange Lock, M12x1.75

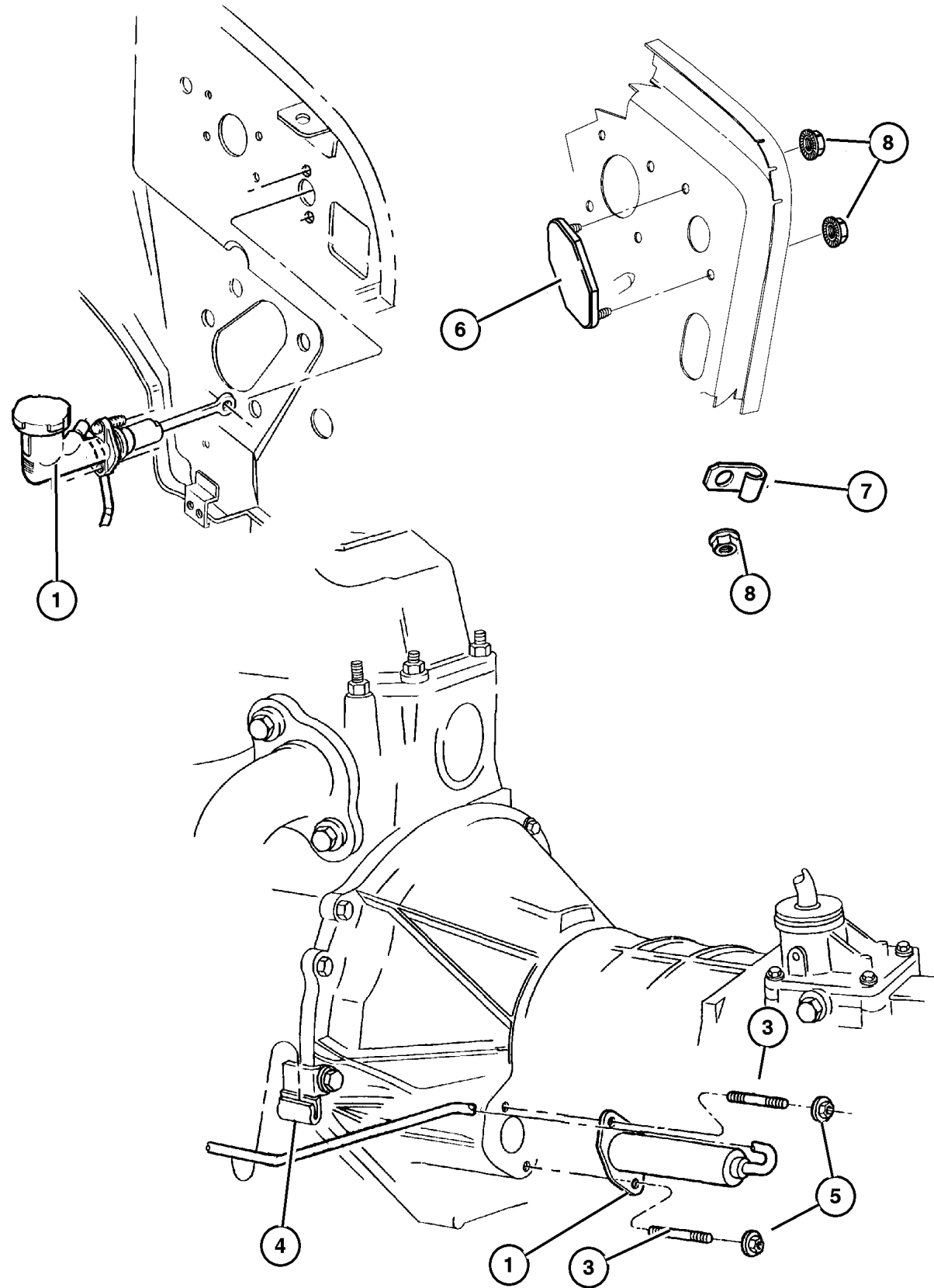
### JEEP WRANGLER (TJ)

SERIES	LINE	BODY	ENGINE	TRANSMISSION
H = Sport	J = Wrangler 4WD	77 = 93.4 WB	ED1, ED0 = 2.4L DOHC	DGG, DGD = 32RH 3 Spd Auto
L = SE	U = Wrangler 4WD (RHD)		ERH = 4.0L Power Tech	DDD = 5 Speed HD Manual
M = X				DG0 = Auto. Trans.
P = Sahara				DBB = Manual Trans.
S = Rubicon				DDK = 5 Speed Manual

AR = Use as required - = Non illustrated part # = New this model year

September 29, 2003

# Control, Clutch Figure 006-310



ITEM	PART NUMBER	QTY	LINE	SERIES	BODY	ENGINE	TRANS	TRIM	DESCRIPTION
------	-------------	-----	------	--------	------	--------	-------	------	-------------

NOTE; Sales Codes

[DBB] = All Manual Transmissions

[DG0] = All Automatic Transmissions

1									HYDRAULIC CONTROL, Clutch Actuator
	#52107 652AD	1	J				DBB		
	#52107 653AD	1	U				DBB		
-2	52107 588AC	1					DBB		CLIP, Tube To Dash Panel
3	6032 878	2					DBB		STUD, .312-18x2.00
4	#52109 677AA	1					DBB		BRACKET, Clutch Tube
5	0152 472	2					DBB		NUT, Hex Flange Lock, .312-18
6	5210 4013	1					DG0		COVER, Master Cylinder
7	0120 522	3	U				DBB		CLIP, Wrap Around
8	J400 3909	2					DBB		NUT, Hex Flange With Serration

### JEEP WRANGLER (TJ)

SERIES	LINE	BODY	ENGINE	TRANSMISSION
H = Sport	J = Wrangler 4WD	77 = 93.4 WB	ED1, ED0 = 2.4L DOHC	DGG, DGD = 32RH 3 Spd Auto
L = SE	U = Wrangler 4WD (RHD)		ERH = 4.0L Power Tech	DDD = 5 Speed HD Manual
M = X				DG0 = Auto. Trans.
P = Sahara				DBB = Manual Trans.
S = Rubicon				DDK = 5 Speed Manual

AR = Use as required - = Non illustrated part # = New this model year

September 29, 2003

**Pedal, Clutch**  
**Figure 006-410**

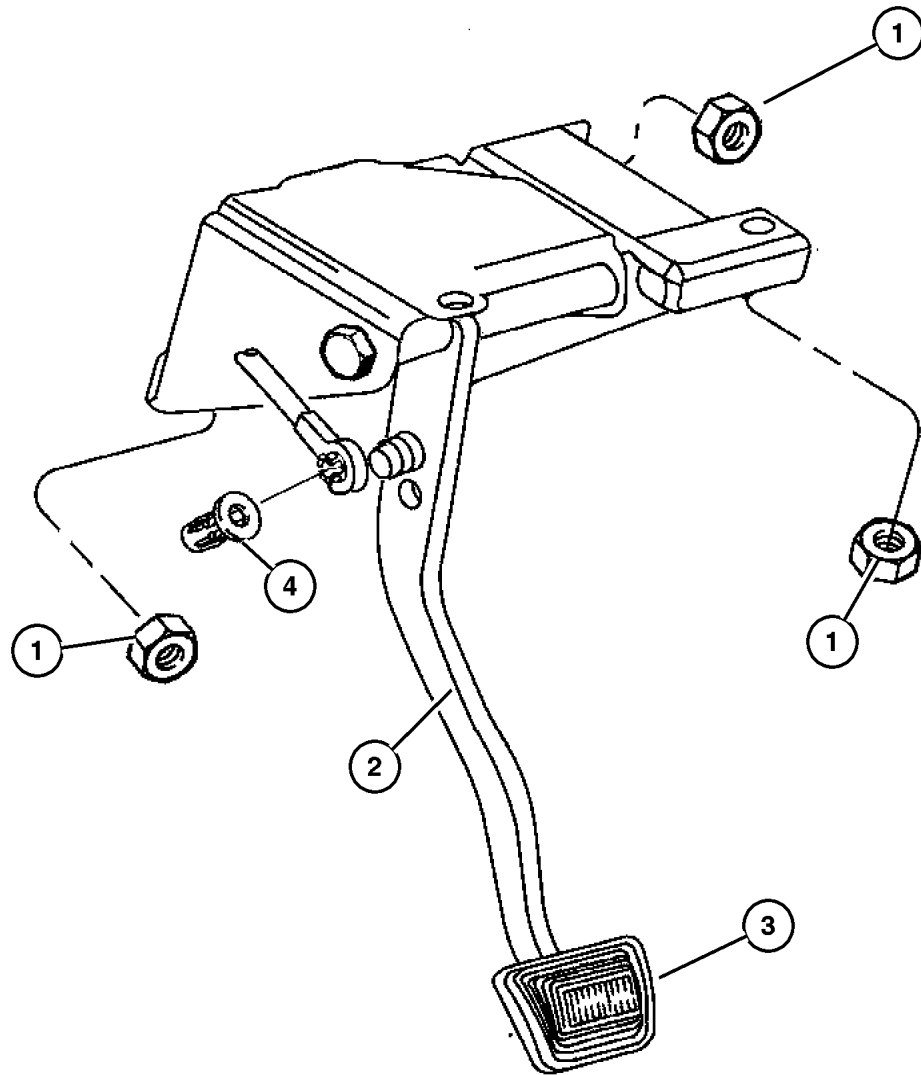
ITEM	PART NUMBER	QTY	LINE	SERIES	BODY	ENGINE	TRANS	TRIM	DESCRIPTION
------	-------------	-----	------	--------	------	--------	-------	------	-------------

NOTE:

Sales Codes:

[DBB] = All Manual Transmissions

1	J400 3909	4							NUT, Hex Flange With Serration
2									PEDAL, Brake, See Group 5 , (NOT REQUIRED)
3	5200 2750	2	J				DBB		PAD, Pedal
		2	U				DBB		
4	#5114 396AA	1	J				DBB		RETAINER, Clutch Rod



JEEP WRANGLER (TJ)

SERIES	LINE	BODY	ENGINE	TRANSMISSION
H = Sport	J = Wrangler 4WD	77 = 93.4 WB	ED1, ED0 = 2.4L DOHC	DGG, DGD = 32RH 3 Spd Auto
L = SE	U = Wrangler 4WD (RHD)		ERH = 4.0L Power Tech	DDD = 5 Speed HD Manual
M = X				DG0 = Auto. Trans.
P = Sahara				DBB = Manual Trans.
S = Rubicon				DDK = 5 Speed Manual

AR = Use as required - = Non illustrated part # = New this model year

September 29, 2003

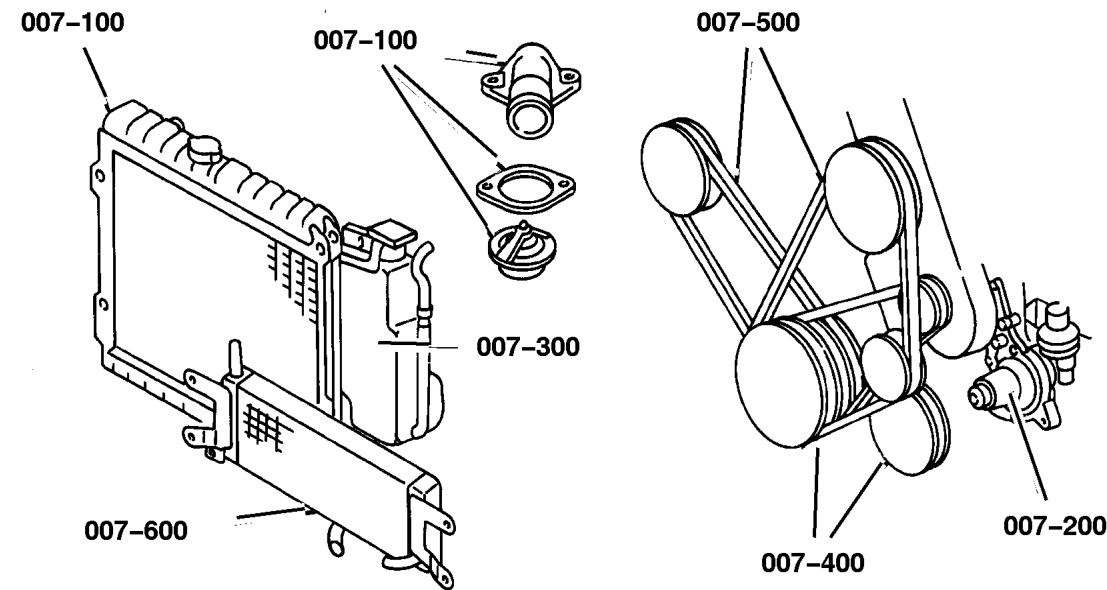
# Group – 007

## Cooling

### GROUP 7 - Cooling

Illustration Title

Group-Fig. No.



#### Radiator and Related Parts

Radiator And Related Parts ..... Fig. 007-110

#### Water Pump and Related Parts

Water Pump, 2.4L Engine ..... Fig. 007-202

Water Pump, 4.0L Engine ..... Fig. 007-205

#### Tank, Coolant Engine

Tank, Coolant Recovery ..... Fig. 007-310

#### Pulleys and Related Parts

Drive Pulleys, 2.4L Engine ..... Fig. 007-402

Drive Pulleys, 4.0L Engine ..... Fig. 007-405

#### Drive Belts

Drive Belts, 2.4L Engine ..... Fig. 007-510

Drive Belts, 4.0L Engine ..... Fig. 007-515

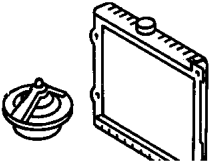

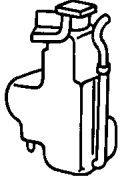
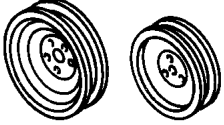
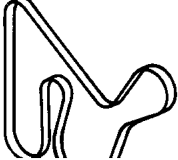
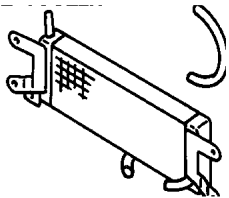
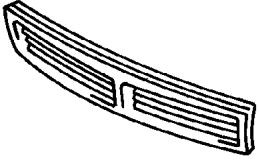
#### Lines, Transmission Oil Cooler

Oil Cooler Lines, 2.4L Engine ..... Fig. 007-610

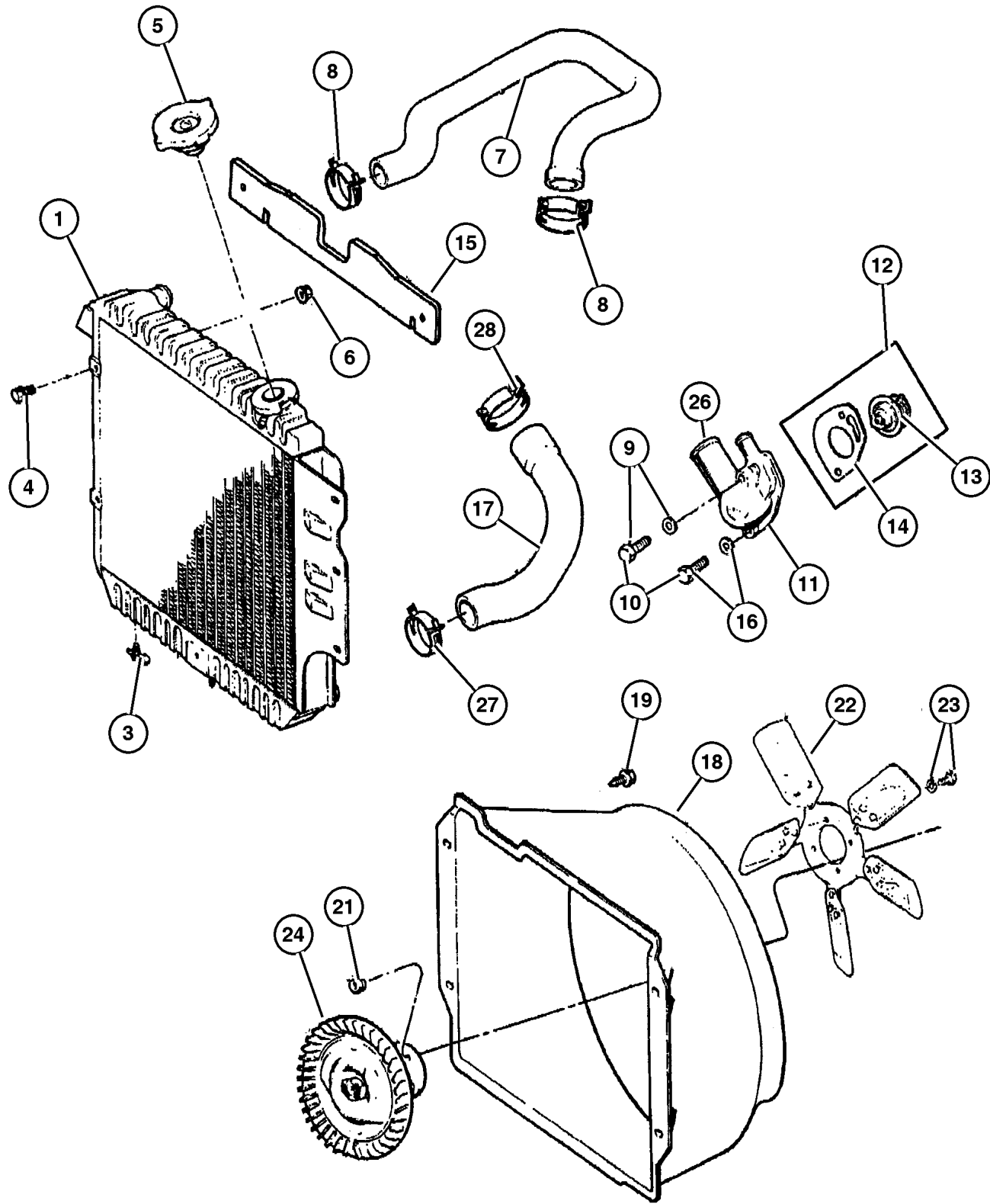
Oil Cooler Lines, 4.0L Engine ..... Fig. 007-620

#### Grilles

Grille And Related Parts ..... Fig. 007-705

<p><b>007-100</b> Radiator and Related Parts</p> 	<p><b>007-200</b> Water Pump and Related Parts</p> 	<p><b>007-300</b> Tank, Coolant Engine</p> 	<p><b>007-400</b> Pulleys and Related Parts</p> 
<p><b>007-500</b> Drive Belts</p> 	<p><b>007-600</b> Lines, Transmission Oil Cooler</p> 	<p><b>007-700</b> Grilles</p> 	

## Radiator And Related Parts Figure 007-110



ITEM	PART NUMBER	QTY	LINE	SERIES	BODY	ENGINE	TRANS	TRIM	DESCRIPTION
Note: Sales Code DBB = Manual Trans									
Note: Sales Code DGO = All Auto Trans									
Note: Sales Code ER0 = 4.0L Gas Engine									
1	55037 652AA	1	J			ER0	DBB		RADIATOR, Engine Cooling
	#55037 653AB	1	J				DGO		
	#55037 654AB	1	U			ER0			
-2	5102 022AA	2	J				DGO		FITTING, Coolant
		2	U			ER0			
3	4773 259	1	J			ER0	DBB		DRAINCOCK, Radiator
		1	J			ER0	DGO		
		1	U			ER0			
		1	J			ED0	DBB		
		1	J			ED0	DGO		
4									SCREW, (NOT SERVICED) (Not Serviced)
5	52079 799AA	1							CAP, Radiator
6									U-NUT, Multi-Thread Spring, 1/4-20, (NOT SERVICED) (Not Serviced)
7									HOSE, Radiator
	5202 8264	1	J			ER0			Upper
	52028 144AB	1	U			ER0			Upper
	#52080 030AC	1				ED1			Upper
8	5200 5580	1				ER0			CLAMP, Hose to Radiator
9	6034 356	1				ER0			SCREW AND WASHER, Hex Head, .312-18x2.38
10	6503 334	3				ED0			BOLT, Hex Flange Head, M8x1.25x28
11									HOUSING, Thermostat
	5300 6192	1				ER0			
	53010 553AA	1				ED0			
12	52028 186AB	1				ER0			THERMOSTAT, 195 Degrees
13	53010 552AA	1				ED0			THERMOSTAT
14									GASKET, Thermostat
	53010 554AA	1				ED0			
	53020 547AC	1				ER0			
15	5503 6369	1							SEAL, Condenser
16	6034 927	1				ER0			SCREW AND WASHER, Hex Head, .312-18x.970
17									HOSE, Radiator

### JEEP WRANGLER (TJ)

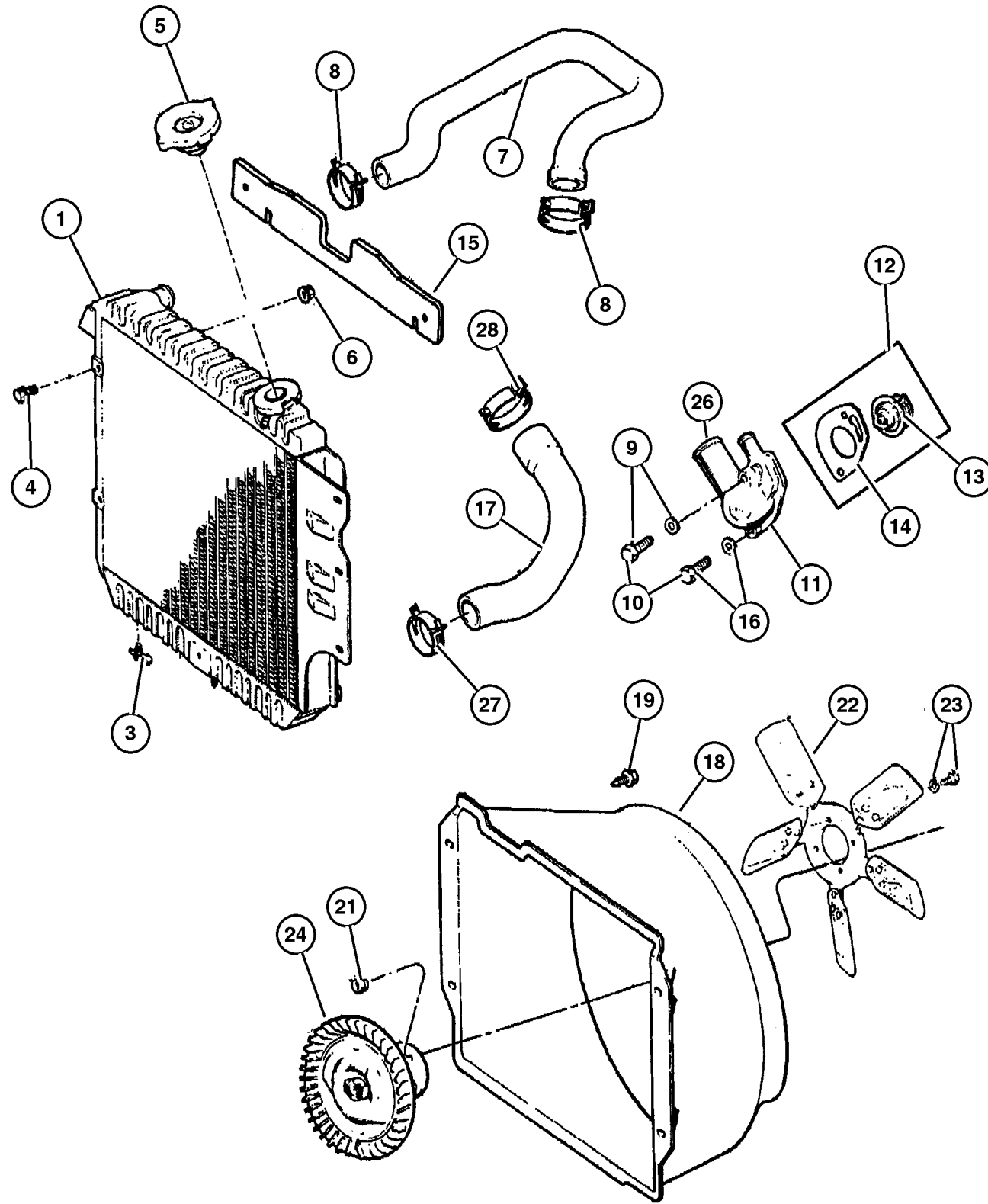
SERIES	LINE	BODY	ENGINE	TRANSMISSION
H = Sport	J = Wrangler 4WD	77 = 93.4 WB	ED1, ED0 = 2.4L DOHC	DGG, DGD = 32RH 3 Spd Auto
L = SE	U = Wrangler 4WD (RHD)		ERH = 4.0L Power Tech	DDD = 5 Speed HD Manual
M = X				DGO = Auto. Trans.
P = Sahara				DBB = Manual Trans.
S = Rubicon				DDK = 5 Speed Manual

AR = Use as required - = Non illustrated part # = New this model year

September 29, 2003

**Radiator And Related Parts  
Figure 007-110**

ITEM	PART NUMBER	QTY	LINE	SERIES	BODY	ENGINE	TRANS	TRIM	DESCRIPTION
	52028 265AB	1	J			ER0			Lower
		1	U			ER0			Lower
18	#52080 031AC	1				ED1			Lower SHROUD, Fan
	52027 925AC	1	J			ER0			
	52028 127AD	1	U			ER0			
19	#55037 635AC	1				ED0			SCREW AND WASHER, Hex Head, .25-20x.875, (NOT SERVICED) (Not Serviced)
-20	#55037 643AA	1				ED0			FAN, Cooling, Electric
21	0154 591	4				ED0			NUT AND WASHER, Hex, .312-18
22									FAN, Cooling
	5202 7893	1				ER0			
	5200 4266	1				ED0			
23	6034 860	4				ED0, ER0			BOLT AND WASHER, Implement Attaching
24									DRIVE, Fan
	52027 883AB	1				ER0			
	52027 890AB	1				ED0			
-25	5102 022AA	2	J				DG0		FITTING, Coolant
26	4781 489AA	1				ED0			CONNECTOR, Water Outlet
27									CLAMP, Hose, 32mm Black
	3200 2983	1				ER0			
		2				ED1			
28	3200 2366	1				ER0			CLAMP, Hose, 55mm Black



**JEEP WRANGLER (TJ)**

SERIES	LINE	BODY	ENGINE	TRANSMISSION
H = Sport	J = Wrangler 4WD	77 = 93.4 WB	ED1, ED0 = 2.4L DOHC	DGG, DGD = 32RH 3 Spd Auto
L = SE	U = Wrangler 4WD (RHD)		ERH = 4.0L Power Tech	DDD = 5 Speed HD Manual
M = X				DG0 = Auto. Trans.
P = Sahara				DBB = Manual Trans.
S = Rubicon				DDK = 5 Speed Manual

AR = Use as required - = Non illustrated part # = New this model year

September 29, 2003

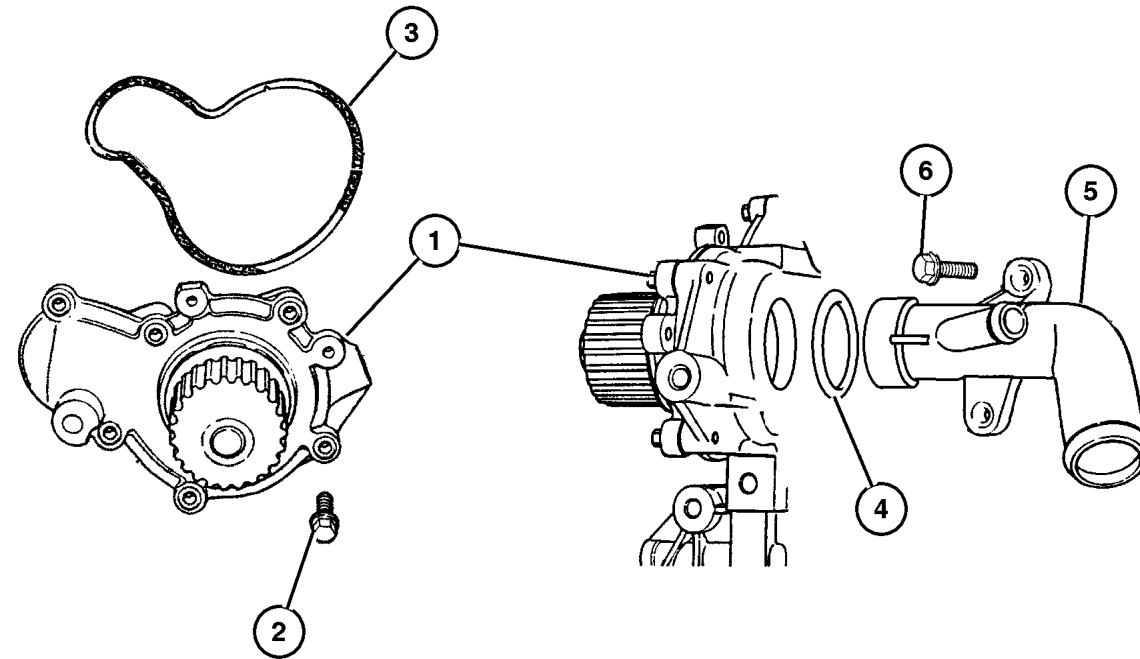
**Water Pump, 2.4L Engine  
Figure 007-202**

ITEM	PART NUMBER	QTY	LINE	SERIES	BODY	ENGINE	TRANS	TRIM	DESCRIPTION
------	-------------	-----	------	--------	------	--------	-------	------	-------------

NOTE: Sales Codes:

[EDZ] = 2.4L 4 CYL DOHC 16V

1	4694 307AC	1				ED0			PUMP, Water
2	6503 255	4				ED0			BOLT, Hex Head, M6x1.0x22
3	4621 564	1				ED0			SEAL, Water Pump Body
4	6503 180	1				ED0			O RING, Water Inlet Tube
5	53010 517AC	1				ED0			TUBE, Water Pump Inlet
6	6506 770AA	5				ED0			SCREW



**JEEP WRANGLER (TJ)**

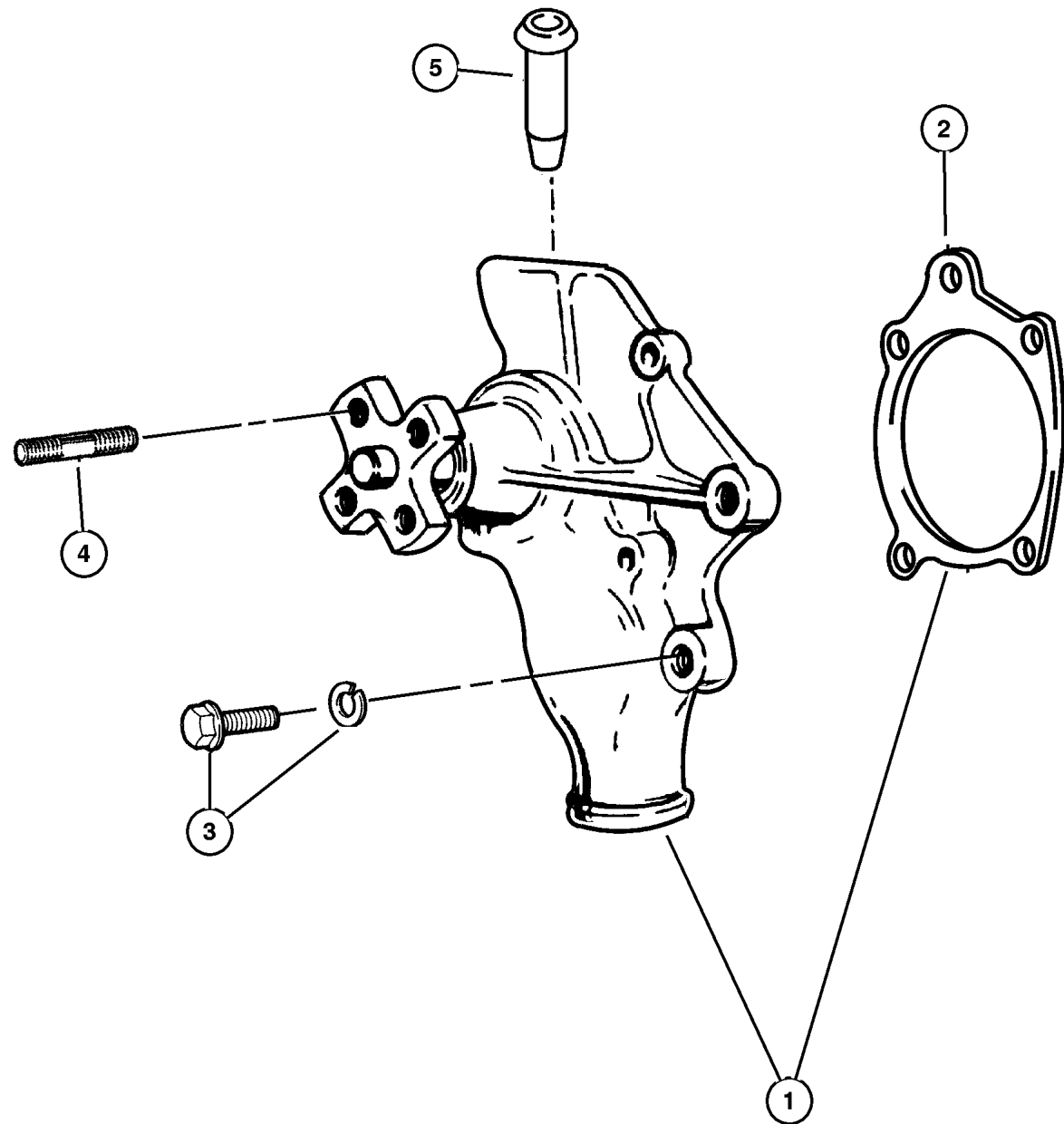
SERIES	LINE	BODY	ENGINE	TRANSMISSION
H = Sport	J = Wrangler 4WD	77 = 93.4 WB	ED1, ED0 = 2.4L DOHC	DGG, DGD = 32RH 3 Spd Auto
L = SE	U = Wrangler 4WD (RHD)		ERH = 4.0L Power Tech	DDD = 5 Speed HD Manual
M = X				DG0 = Auto. Trans.
P = Sahara				DBB = Manual Trans.
S = Rubicon				DDK = 5 Speed Manual

AR = Use as required - = Non illustrated part # = New this model year

September 29, 2003

### Water Pump, 4.0L Engine Figure 007-205

ITEM	PART NUMBER	QTY	LINE	SERIES	BODY	ENGINE	TRANS	TRIM	DESCRIPTION
Note: Sales Code ER0 = 4.0L Gas Engine									
1	5012 366AC	1				ER0			PUMP PACKAGE, Water
2	53010 419AB	1				ER0			GASKET, Water Pump
3	6036 004AA	4				ER0			SCREW
4	J400 6714	4				ED0			STUD, .312-18/.312-24x1.250
5	5300 7978	1				ER0			TUBE, Water Pump Heater Return



JEEP WRANGLER (TJ)				
SERIES	LINE	BODY	ENGINE	TRANSMISSION
H = Sport	J = Wrangler 4WD	77 = 93.4 WB	ED1, ED0 = 2.4L DOHC	DGG, DGD = 32RH 3 Spd Auto
L = SE	U = Wrangler 4WD (RHD)		ERH = 4.0L Power Tech	DDD = 5 Speed HD Manual
M = X				DG0 = Auto. Trans.
P = Sahara				DBB = Manual Trans.
S = Rubicon				DDK = 5 Speed Manual

AR = Use as required - = Non illustrated part # = New this model year

September 29, 2003



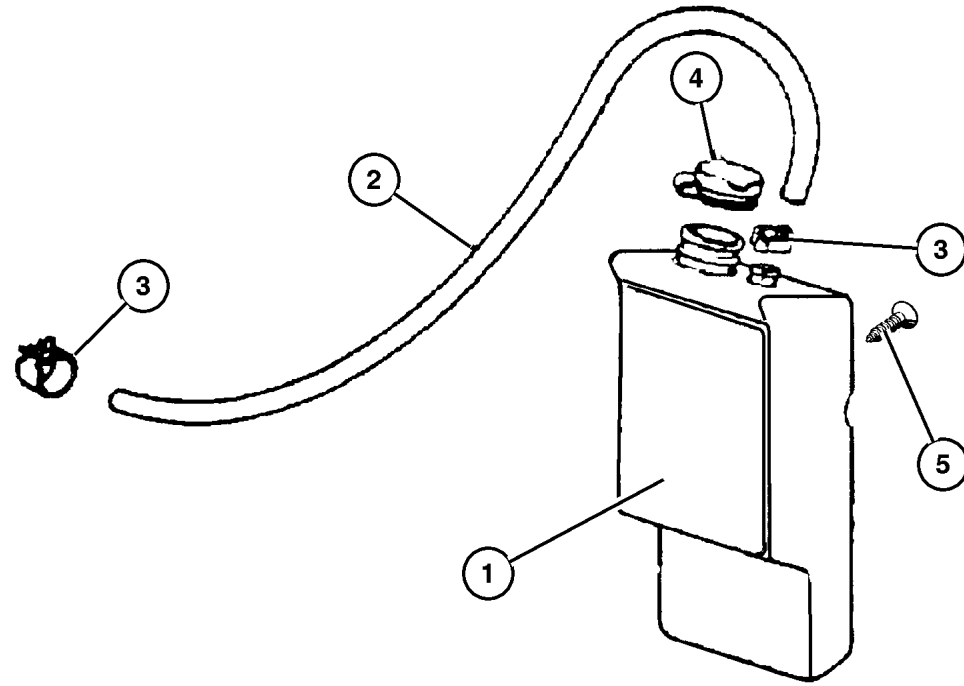
**Tank, Coolant Recovery  
Figure 007-310**

ITEM	PART NUMBER	QTY	LINE	SERIES	BODY	ENGINE	TRANS	TRIM	DESCRIPTION
------	-------------	-----	------	--------	------	--------	-------	------	-------------

Note: Sales Code ER0 = 4.0L Gas Engine

Note: Sales Code ED0 = 2.4L Gas Engine

1	52028 065AE	1				ED0, ER0			BOTTLE, Coolant Recovery
2									HOSE, 5/8" I.D. 50 Foot Roll, (NOT SERVICED) (Not Serviced)
3	J318 0725	1				ED0, ER0			CLAMP, Hose
4	5207 9331	1				ED0, ER0			CAP, Coolant Reserve Tank
5									SCREW, (NOT SERVICED) (Not Serviced)



**JEEP WRANGLER (TJ)**

SERIES	LINE	BODY	ENGINE	TRANSMISSION
H = Sport	J = Wrangler 4WD	77 = 93.4 WB	ED1, ED0 = 2.4L DOHC	DGG, DGD = 32RH 3 Spd Auto
L = SE	U = Wrangler 4WD (RHD)		ERH = 4.0L Power Tech	DDD = 5 Speed HD Manual
M = X				DG0 = Auto. Trans.
P = Sahara				DBB = Manual Trans.
S = Rubicon				DDK = 5 Speed Manual

AR = Use as required - = Non illustrated part # = New this model year

September 29, 2003

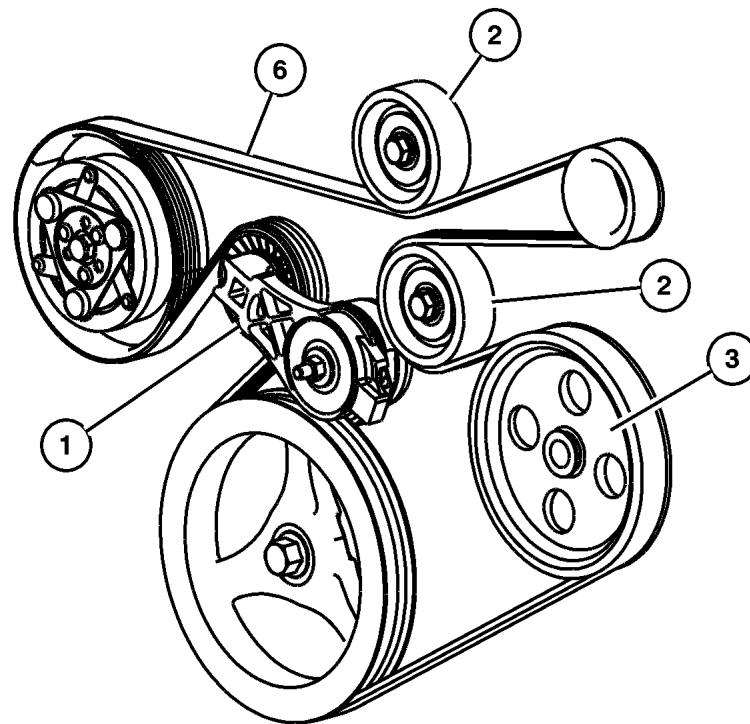
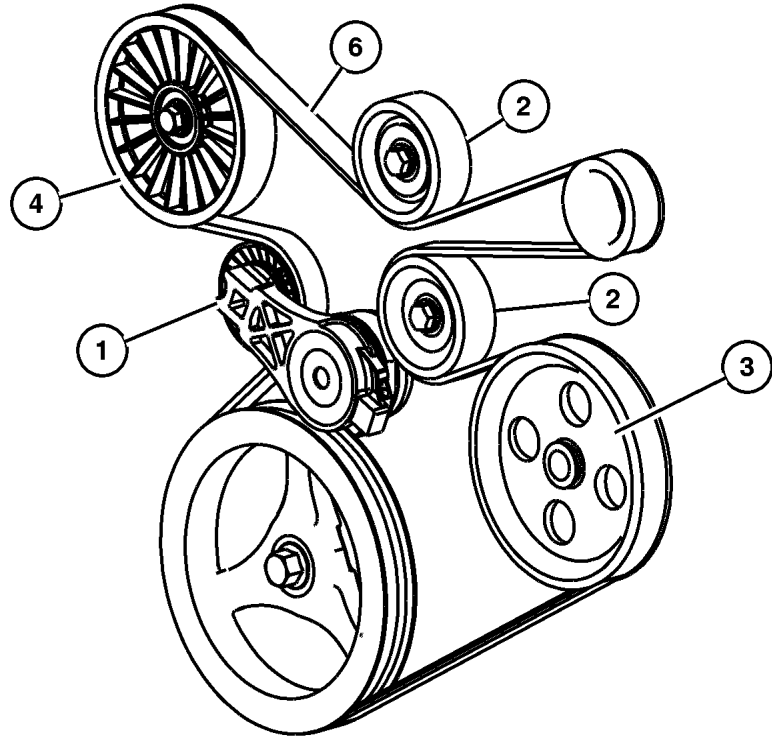
Drive Pulleys, 2.4L Engine  
Figure 007-402

ITEM	PART NUMBER	QTY	LINE	SERIES	BODY	ENGINE	TRANS	TRIM	DESCRIPTION
------	-------------	-----	------	--------	------	--------	-------	------	-------------

Note; Sales Codes

[ED0]= All 2.2L, 2.5L, 2.4L, 4 C

1	4861 277AB	1				ED0			TENSIONER, Belt
2	53013 324AA	2				ED0			PULLEY, Idler
3	53031 722AA	1				ED0			PULLEY, Power Steering Pump
4	53013 366AA	1				ED0			PULLEY, Idler, without Air Conditioning
-5	3420 2781	1				ED0			SCREW
6									BELT, Accessory Drive
	5281 351AC	1				ED0			without Air Conditioning
	53013 352AC	1				ED0			with Air Conditioning



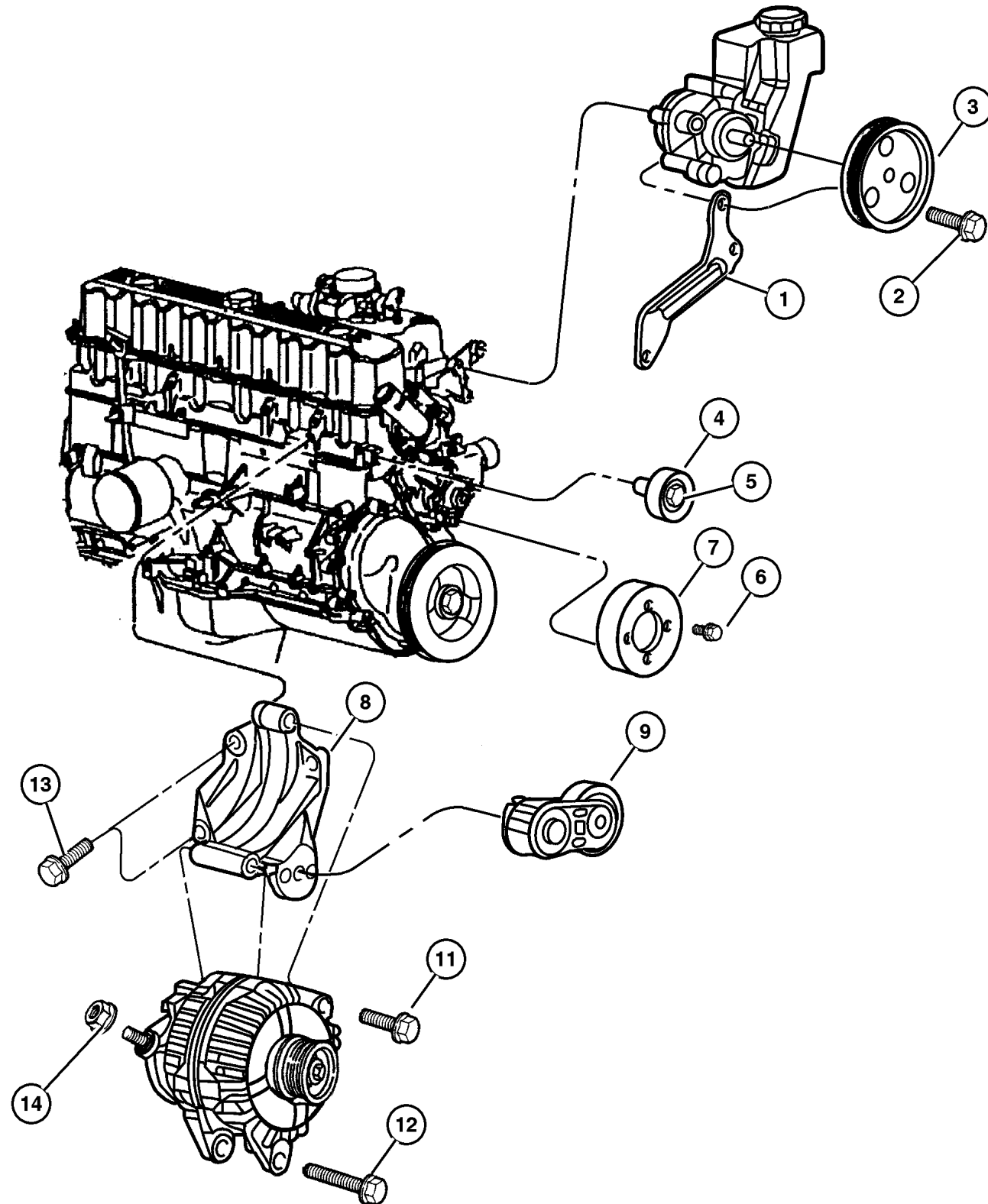
JEEP WRANGLER (TJ)

SERIES	LINE	BODY	ENGINE	TRANSMISSION
H = Sport	J = Wrangler 4WD	77 = 93.4 WB	ED1, ED0 = 2.4L DOHC	DGG, DGD = 32RH 3 Spd Auto
L = SE	U = Wrangler 4WD (RHD)		ERH = 4.0L Power Tech	DDD = 5 Speed HD Manual
M = X				DG0 = Auto. Trans.
P = Sahara				DBB = Manual Trans.
S = Rubicon				DDK = 5 Speed Manual

AR = Use as required - = Non illustrated part # = New this model year

September 29, 2003

Drive Pulleys, 4.0L Engine  
Figure 007-405



ITEM	PART NUMBER	QTY	LINE	SERIES	BODY	ENGINE	TRANS	TRIM	DESCRIPTION
Note: Sales Code									
ERO = All 4.0L Engines									
EVO = All 4.7L Engines									
1	4854 157	1				ERO			BRACE, Power Steering Pump
2	6502 425	3				ERO			SCREW AND WASHER, Hex Head, M8x1.25x95
3	53010 258AB	1				ERO			PULLEY, Power Steering Pump
4	4854 092	1				ERO			PULLEY, Idler
5	0153 748	1				ERO			SCREW AND WASHER, Hex
6	6034 860	4				ERO			BOLT AND WASHER, Implement Attaching
7	4854 032	1				ERO			PULLEY, Water Pump
8	4854 026	1				ERO			BRACKET, Alternator
9	4854 089AB	1				ERO			TENSIONER, Alternator Belt
-10	6507 743AA	1				ERO			SCREW
11	6505 488AA	1				ERO			SCREW AND WASHER, Hex
12	6504 344	1				ERO			SCREW AND WASHER, Hex Head
13	0154 854AA	4				ERO			SCREW AND WASHER, Hex
14									NUT, M8x1.25, (NOT SERVICED) (Not Serviced)

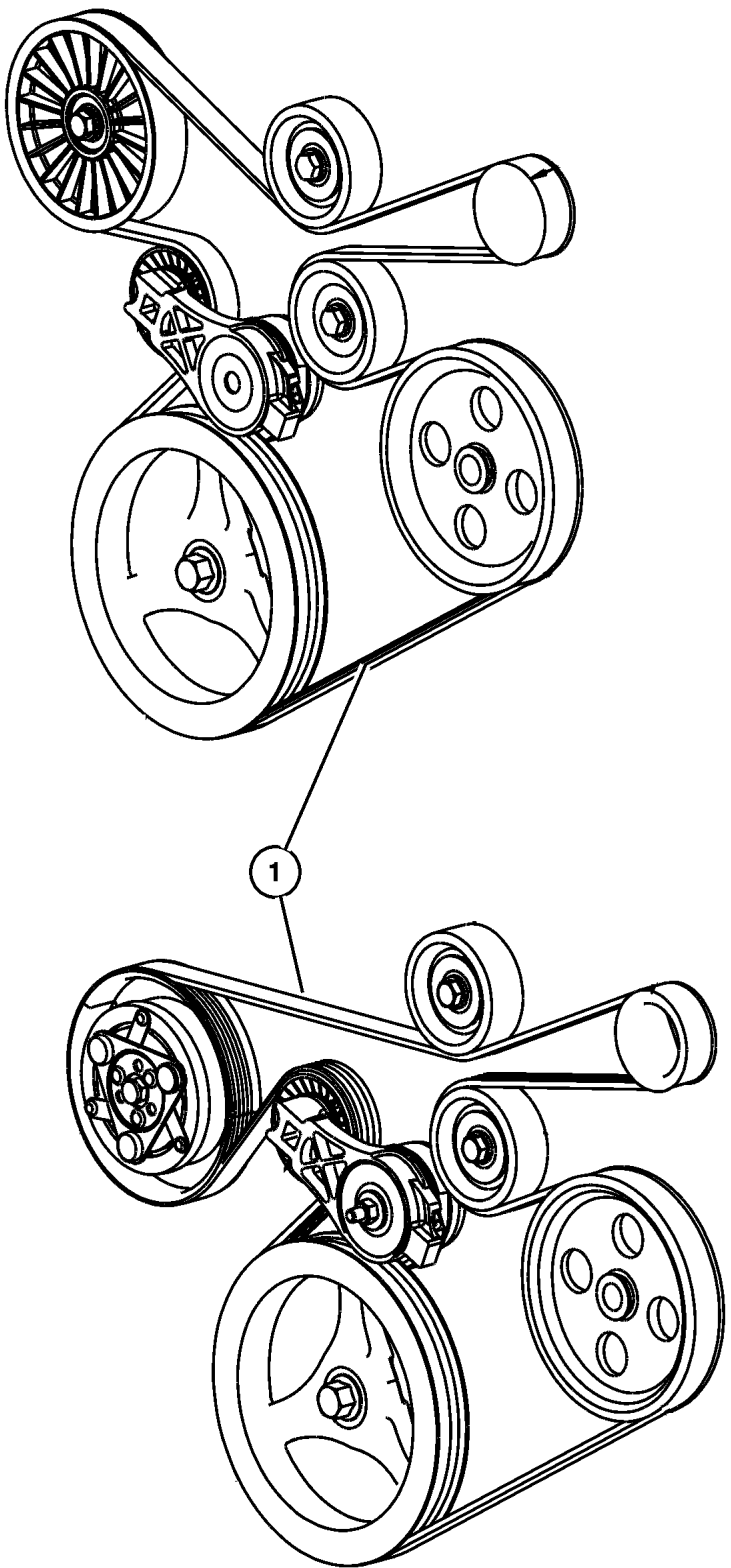
JEEP WRANGLER (TJ)

SERIES	LINE	BODY	ENGINE	TRANSMISSION
H = Sport	J = Wrangler 4WD	77 = 93.4 WB	ED1, ED0 = 2.4L DOHC	DGG, DGD = 32RH 3 Spd Auto
L = SE	U = Wrangler 4WD (RHD)		ERH = 4.0L Power Tech	DDD = 5 Speed HD Manual
M = X				DG0 = Auto. Trans.
P = Sahara				DBB = Manual Trans.
S = Rubicon				DDK = 5 Speed Manual

AR = Use as required - = Non illustrated part # = New this model year

September 29, 2003

Drive Belts, 2.4L Engine  
Figure 007-510



ITEM	PART NUMBER	QTY	LINE	SERIES	BODY	ENGINE	TRANS	TRIM	DESCRIPTION
------	-------------	-----	------	--------	------	--------	-------	------	-------------

Note; Sales Codes

[ED0]= All 2.2L, 2.5L, 2.4L, 4 Cylinder

1	5281 351AC	1				ED0			BELT, Accessory Drive with Air Conditioning
	53013 352AC	1				ED0			BELT, Accessory Drive without Air Conditioning

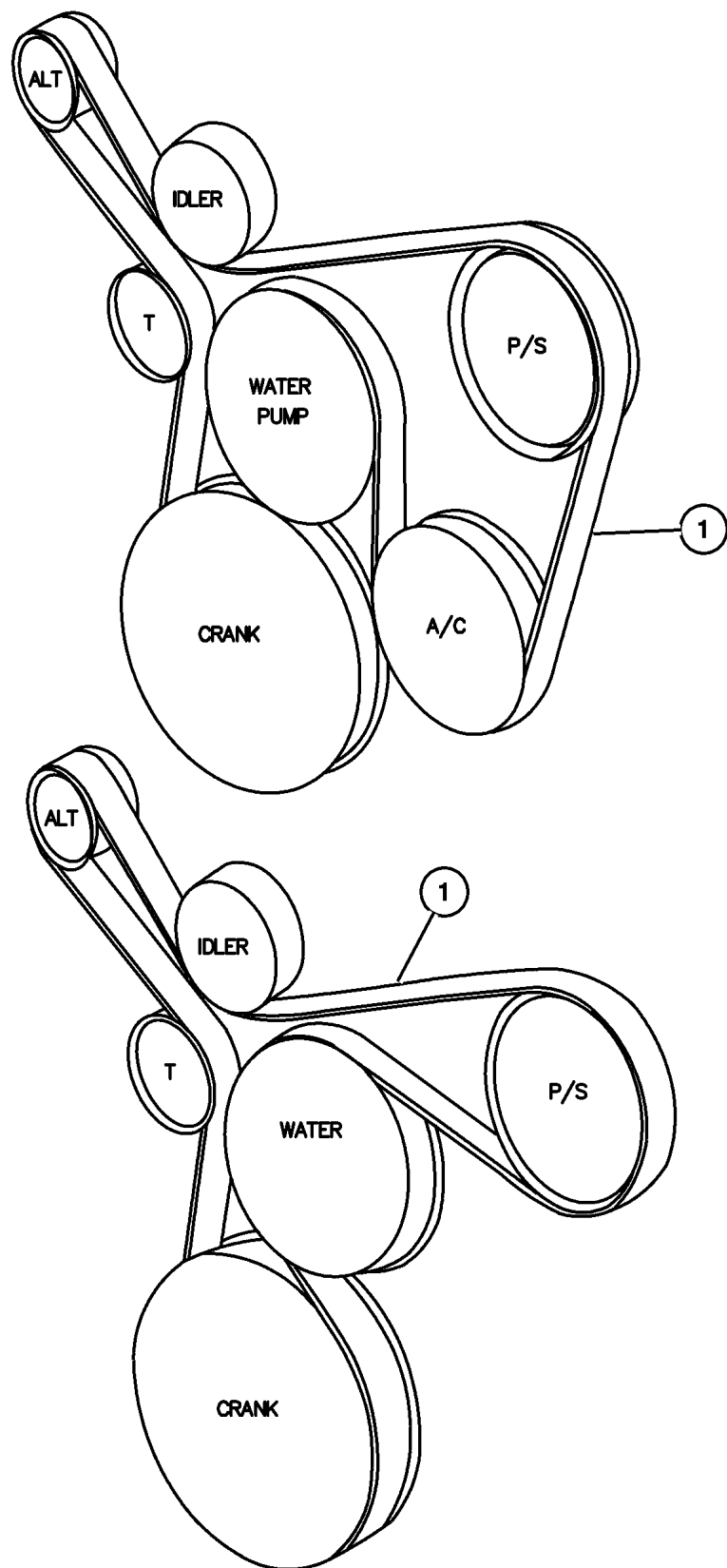
JEEP WRANGLER (TJ)

SERIES	LINE	BODY	ENGINE	TRANSMISSION
H = Sport	J = Wrangler 4WD	77 = 93.4 WB	ED1, ED0 = 2.4L DOHC	DGG, DGD = 32RH 3 Spd Auto
L = SE	U = Wrangler 4WD (RHD)		ERH = 4.0L Power Tech	DDD = 5 Speed HD Manual
M = X				DG0 = Auto. Trans.
P = Sahara				DBB = Manual Trans.
S = Rubicon				DDK = 5 Speed Manual

AR = Use as required - = Non illustrated part # = New this model year

September 29, 2003

Drive Belts, 4.0L Engine  
Figure 007-515



ITEM	PART NUMBER	QTY	LINE	SERIES	BODY	ENGINE	TRANS	TRIM	DESCRIPTION
1									BELT, Accessory Drive
	53013 209AC	1				ER0			without Air Conditioning
	4854 033AB	1				ER0			with Air Conditioning
-2	53031 700AB	1				ER0			LABEL, Belt Routing

JEEP WRANGLER (TJ)

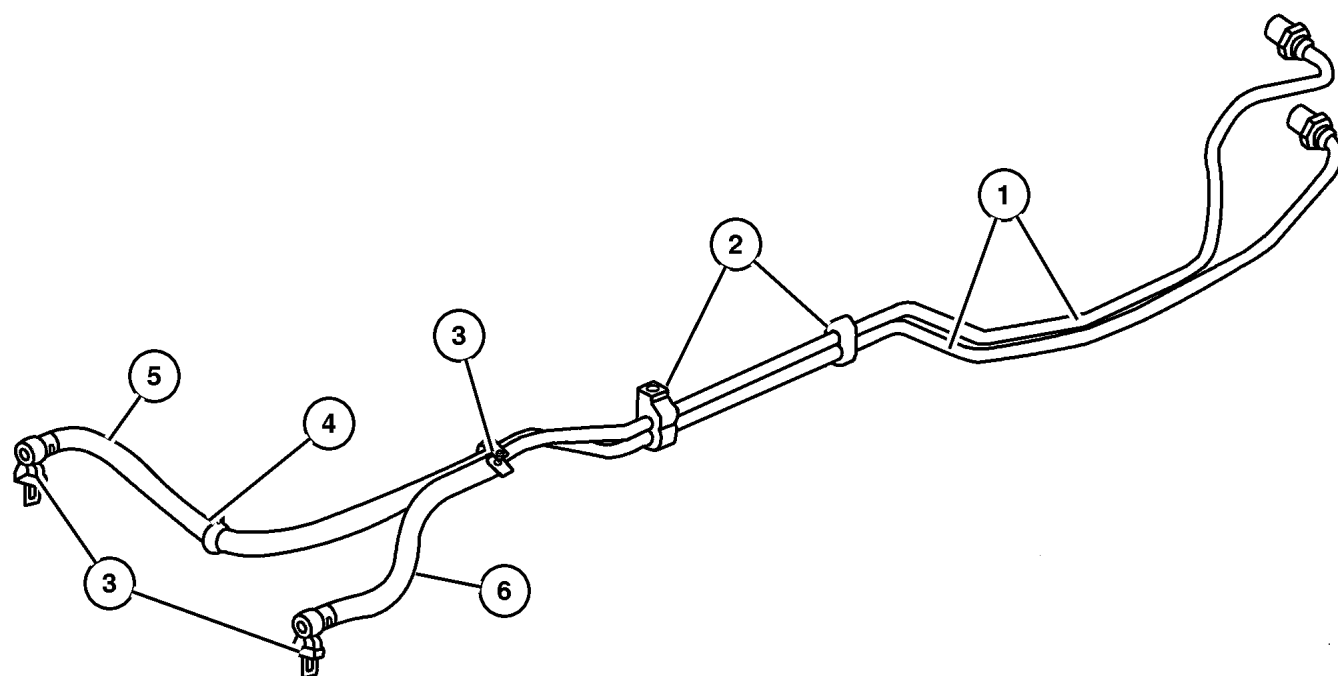
SERIES	LINE	BODY	ENGINE	TRANSMISSION
H = Sport	J = Wrangler 4WD	77 = 93.4 WB	ED1, ED0 = 2.4L DOHC	DGG, DGD = 32RH 3 Spd Auto
L = SE	U = Wrangler 4WD (RHD)		ERH = 4.0L Power Tech	DDD = 5 Speed HD Manual
M = X				DG0 = Auto. Trans.
P = Sahara				DBB = Manual Trans.
S = Rubicon				DDK = 5 Speed Manual

AR = Use as required - = Non illustrated part # = New this model year

September 29, 2003

**Oil Cooler Lines, 2.4L Engine  
Figure 007-610**

ITEM	PART NUMBER	QTY	LINE	SERIES	BODY	ENGINE	TRANS	TRIM	DESCRIPTION
1	#52080 128AC	1				ED0	DG6		TUBE & HOSE, Supply & Return
2	4815 987AB	1				ED0	DG6		CLIP, Oil Cooler Tube
3	52079 632AA	2				ED0	DG6		CLAMP, Oil Cooler Tube
4	6506 121AA	1				ED0	DG6		CLIP, Tube
5	#5093 942AA	1				ED0	DG6		HOSE, Transmission Oil Cooler
6	5015 930AA	1				ED0	DG6		HOSE, Transmission Oil Cooler, Roll Stock
-7	#52079 877AA	1				ED0	DG6		CLIP, Oil Cooler Tube, Mounts to Oil Pan



**JEEP WRANGLER (TJ)**

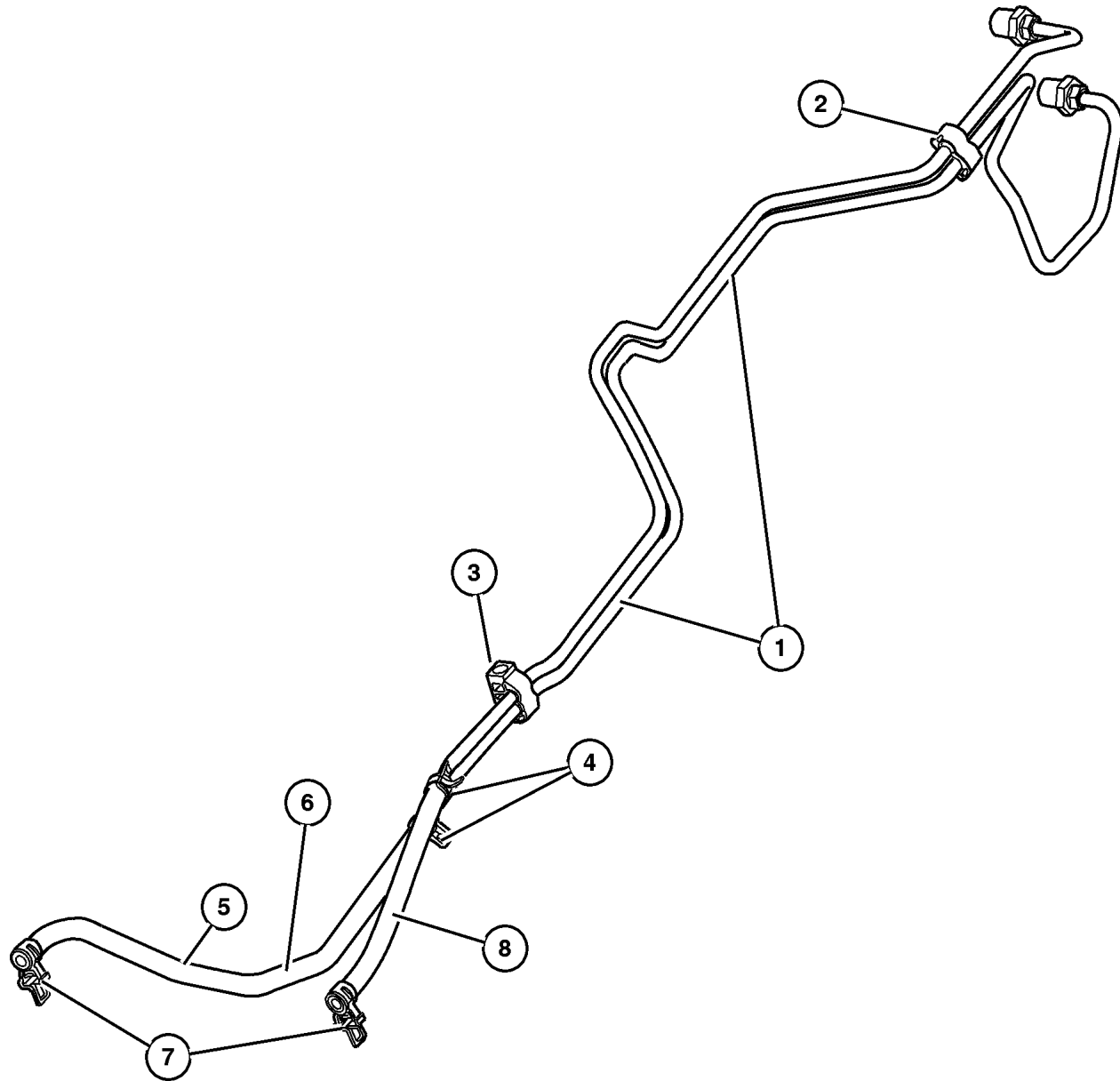
SERIES	LINE	BODY	ENGINE	TRANSMISSION
H = Sport	J = Wrangler 4WD	77 = 93.4 WB	ED1, ED0 = 2.4L DOHC	DGG, DGD = 32RH 3 Spd Auto
L = SE	U = Wrangler 4WD (RHD)		ERH = 4.0L Power Tech	DDD = 5 Speed HD Manual
M = X				DG0 = Auto. Trans.
P = Sahara				DBB = Manual Trans.
S = Rubicon				DDK = 5 Speed Manual

AR = Use as required - = Non illustrated part # = New this model year

September 29, 2003

**Oil Cooler Lines, 4.0L Engine  
Figure 007-620**

ITEM	PART NUMBER	QTY	LINE	SERIES	BODY	ENGINE	TRANS	TRIM	DESCRIPTION
1	#55037 624AE	1				ER0	DG6		TUBE & HOSE, Supply & Return
2	4815 987AB	1				ER0	DG6		CLIP, Oil Cooler Tube
3	4815 987AB	1				ER0	DG6		CLIP, Oil Cooler Tube
4	52079 632AA	2				ER0	DG6		CLAMP, Oil Cooler Tube
5	6506 121AA	1				ER0	DG6		CLIP, Tube
6	#5093 943AA	1				ER0	DG6		HOSE, Transmission Oil Cooler
7	52079 632AA	2				ER0	DG6		CLAMP, Oil Cooler Tube
8	5015 930AA	1				ER0	DG6		HOSE, Transmission Oil Cooler, Roll Stock
-9	#52079 877AA	1				ER0	DG6		CLIP, Oil Cooler Tube, Mounts to Oil Pan



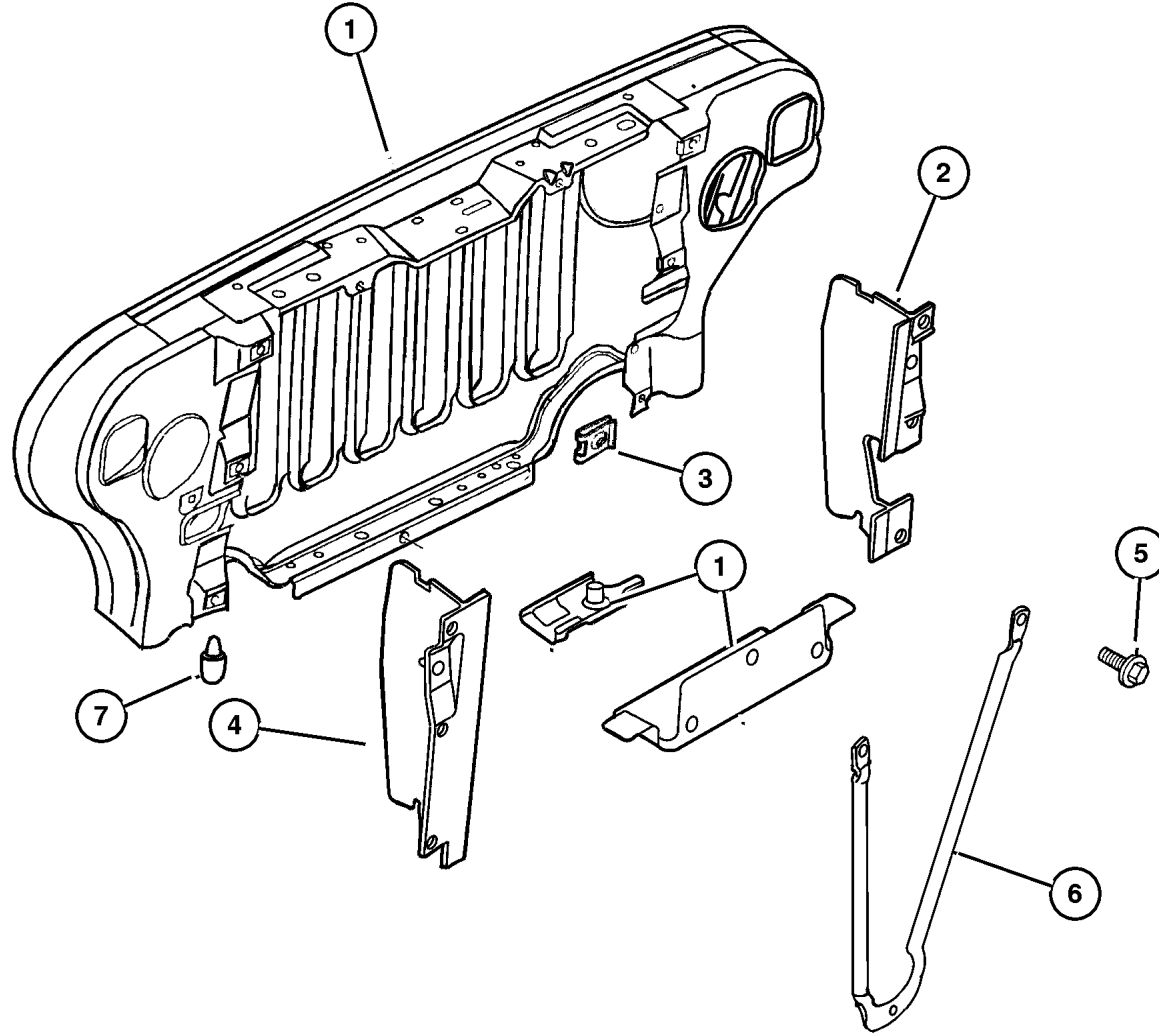
**JEEP WRANGLER (TJ)**

SERIES	LINE	BODY	ENGINE	TRANSMISSION
H = Sport	J = Wrangler 4WD	77 = 93.4 WB	ED1, ED0 = 2.4L DOHC	DGG, DGD = 32RH 3 Spd Auto
L = SE	U = Wrangler 4WD (RHD)		ERH = 4.0L Power Tech	DDD = 5 Speed HD Manual
M = X				DG0 = Auto. Trans.
P = Sahara				DBB = Manual Trans.
S = Rubicon				DDK = 5 Speed Manual

AR = Use as required - = Non illustrated part # = New this model year

September 29, 2003

**Grille And Related Parts  
Figure 007-705**



ITEM	PART NUMBER	QTY	LINE	SERIES	BODY	ENGINE	TRANS	TRIM	DESCRIPTION
Note: Sales Code EP0 = 2.5L Gas Engine									
Note: Sales Code ERO = 4.0L Gas Engine									
1	55174 594AD	1							PANEL, Radiator Closure, after 1-3-97
2	55036 866AC	1							SEAL, Condenser, Condenser to Grille,Right
3									U-NUT, Multi-Thread Spring, 1/4-20, (NOT SERVICED) (Not Serviced)
4	5503 6867	1							SEAL, Condenser, Condenser to Grille, Left
5	6100 548	3							BOLT AND CONED WASHER, Hex Head, M6x20x12.5
6	5517 6218	1							BRACE, Radiator, Radiator Guard
7	5517 6181	2							ISOLATOR
-8									DEFLECTOR, Radiator
	55176 584AC	1							Right
	55176 585AB	1							Left

<b>JEEP WRANGLER (TJ)</b>				
SERIES	LINE	BODY	ENGINE	TRANSMISSION
H = Sport	J = Wrangler 4WD	77 = 93.4 WB	ED1, ED0 = 2.4L DOHC	DGG, DGD = 32RH 3 Spd Auto
L = SE	U = Wrangler 4WD (RHD)		ERH = 4.0L Power Tech	DDD = 5 Speed HD Manual
M = X				DG0 = Auto. Trans.
P = Sahara				DBB = Manual Trans.
S = Rubicon				DDK = 5 Speed Manual

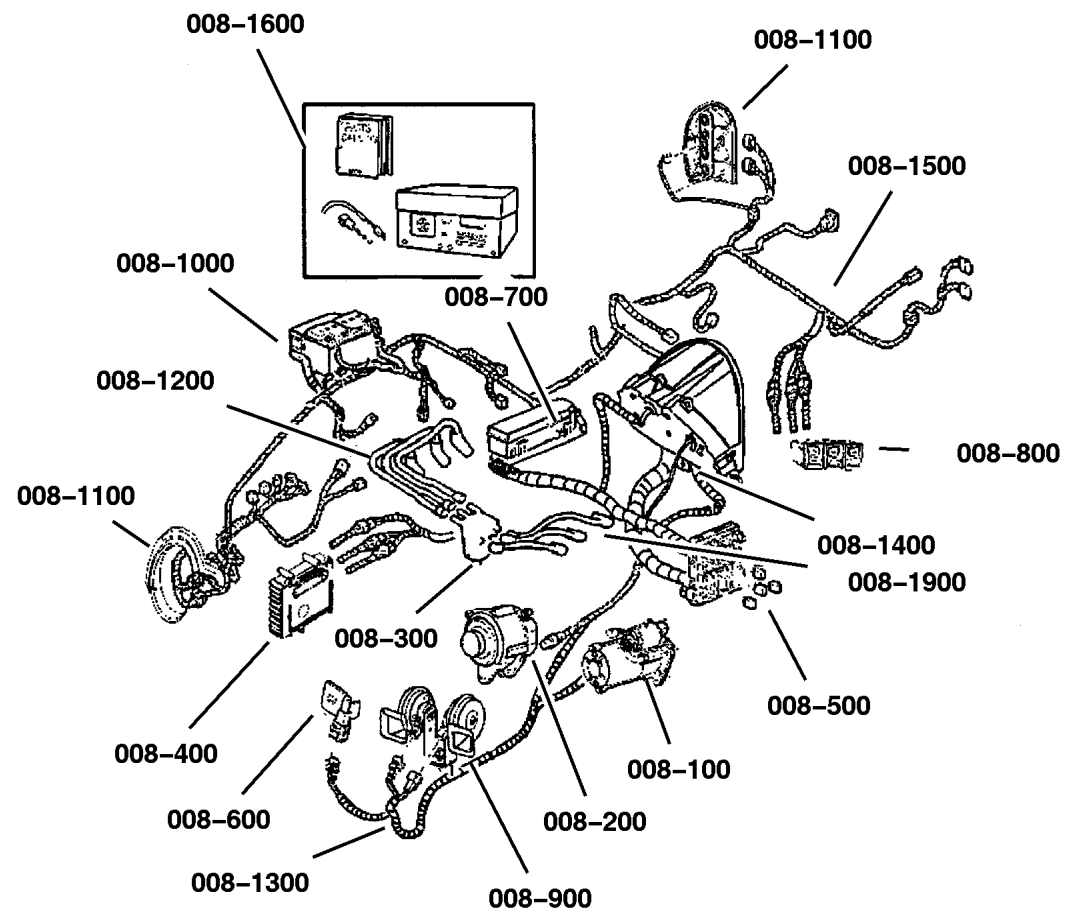
AR = Use as required - = Non illustrated part # = New this model year

September 29, 2003



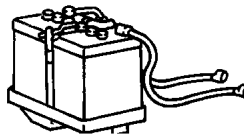
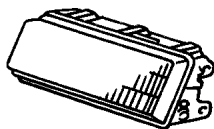
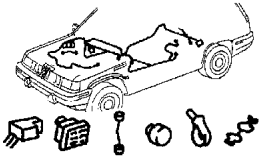


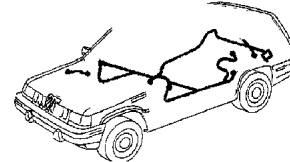
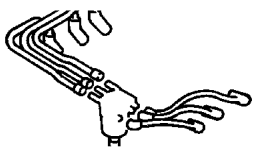
# Group – 008

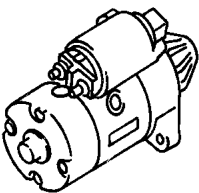
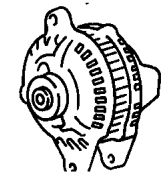
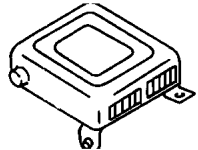
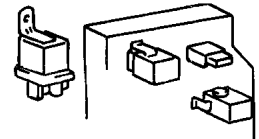
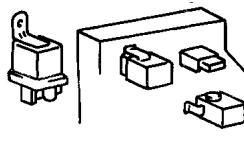
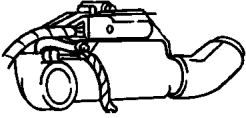
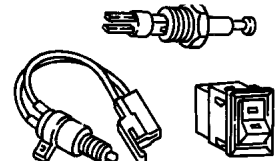
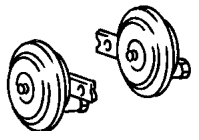
## Electrical



# Group – 008

## Electrical

<b>008-1000</b> Battery Tray and Cables 	<b>008-1100</b> Lamps – Front, Rear and Courtesy 	<b>008-1200</b> Wiring-Engine & Related Parts 	<b>008-1300</b> Wiring-Headlamp to Dash 
<b>008-1400</b> Wiring-Instrument Panel 	<b>008-1500</b> Wiring-Body & Accessories 	<b>008-1600</b> Wiring Repair <p style="text-align: center;">WIRING REPAIR PKG.</p>	<b>008-1900</b> Spark Plugs-Cables-Coils 

<b>008-100</b> Starters 	<b>008-200</b> Alternators 	<b>008-400</b> Modules 	<b>008-500</b> Relays 
<b>008-600</b> Sensors 	<b>008-700</b> Single Board Engine Controllers 	<b>008-800</b> Switches 	<b>008-900</b> Horns 



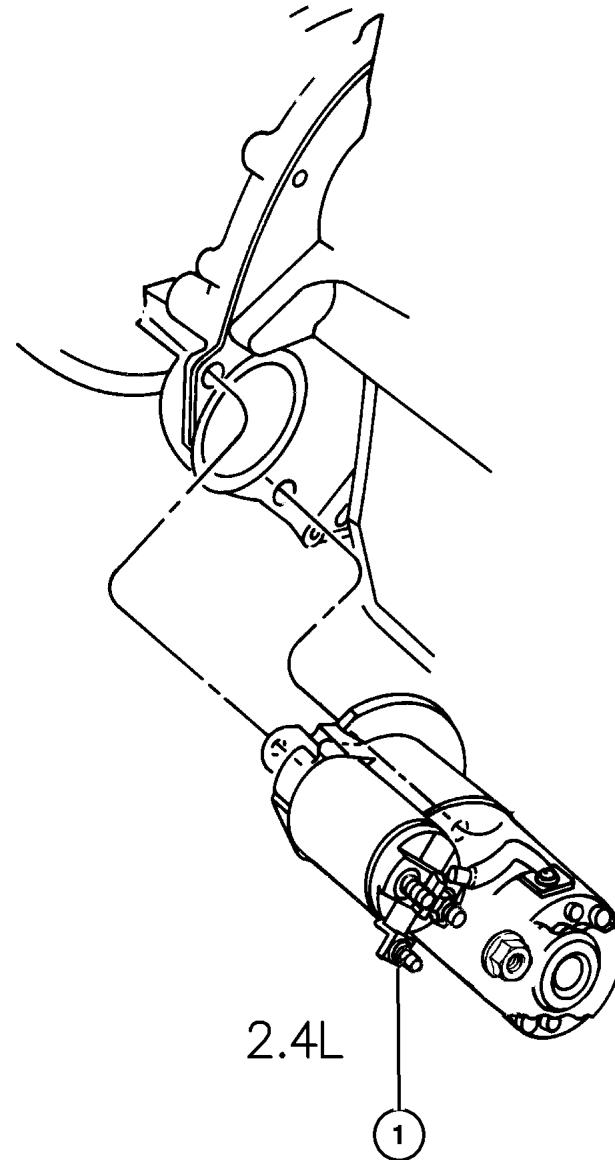
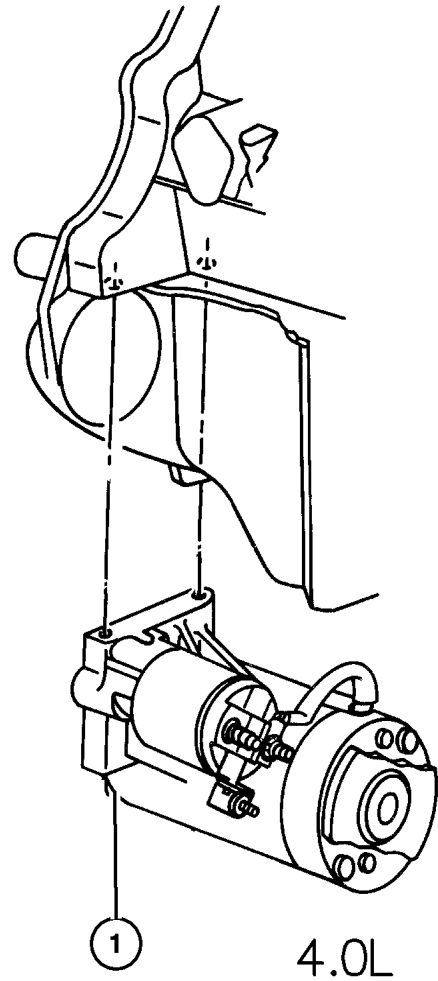
---

**GROUP 8 - Electrical****GROUP 8 - Electrical**

Illustration Title	Group-Fig. No.
<b>Starters</b>	
Starter .....	Fig. 008-105
<b>Alternators</b>	
Alternator 2.4L Engine .....	Fig. 008-205
Alternator 4.0L Engine .....	Fig. 008-210
<b>Modules</b>	
Modules .....	Fig. 008-405
<b>Relays</b>	
Power Distribution Center Relays and Fuses .....	Fig. 008-505
Fuse Block .....	Fig. 008-510
<b>Sensors</b>	
Sensors Engine 2.4L Engine [ED0] .....	Fig. 008-605
Sensors Engine 4.0L [ER0] .....	Fig. 008-610
Sensors - Body .....	Fig. 008-615
Sensors Drive Train .....	Fig. 008-620
<b>Single Board Engine Controllers</b>	
Single Board Engine Controllers (JTEC Module) .....	Fig. 008-705
<b>Switches</b>	
Switches - Instrument Panel .....	Fig. 008-805
Switches Drivetrain .....	Fig. 008-810
Switches - Body .....	Fig. 008-815
<b>Horns</b>	
Horns .....	Fig. 008-905
<b>Battery Tray and Cables</b>	
Battery Tray & Cables .....	Fig. 008-1005
<b>Lamps - Front, Rear and Courtesy</b>	
Lamps--Front .....	Fig. 008-1105
Lamps--Rear .....	Fig. 008-1110
Lamps--Cargo-Dome-Courtesy .....	Fig. 008-1115
Bulbs & Sockets .....	Fig. 008-1120
<b>Wiring-Engine &amp; Related Parts</b>	
Wiring--Engine & Related Parts .....	Fig. 008-1205
<b>Wiring-Headlamp to Dash</b>	
Wiring--Headlamp / Dash Panel .....	Fig. 008-1305
<b>Wiring-Instrument Panel</b>	
Wiring Instrument Panel & Fuses .....	Fig. 008-1405

Illustration Title	Group-Fig. No.
<b>Wiring-Body &amp; Accessories</b>	
Wiring--Body & Accessory .....	Fig. 008-1505
<b>Wiring Repair</b>	
Wiring Repair Packages .....	Fig. 008-1605
Power Distribution Center Repair .....	Fig. 008-1610
<b>Spark Plugs-Cables-Coils</b>	
Spark Plugs--Cables--Coil .....	Fig. 008-1905

**Starter  
Figure 008-105**



ITEM	PART NUMBER	QTY	LINE	SERIES	BODY	ENGINE	TRANS	TRIM	DESCRIPTION
------	-------------	-----	------	--------	------	--------	-------	------	-------------

Notes:

- [EP0] = 2.5L Engine
- [ER0] = 4.0L Engine
- [DGD] = 3 Sped Automatic Transmissions
- [DGG] = 3 Sped Automatic Transmissions
- [DBB] = Manual Transmissions

1									STARTER
	#56041 914AC	1				ER0	DG0		
	#56041 012AE	1				ER0	DBB		
	#56041 436AC	1				ED0			
-2	J400 6192	1				ER0	DBB		BOLT AND WASHER, Hex Head, .375-16x1.75
-3	6101 848	1				ER0	DBB		SCREW AND WASHER, Hex Head, M10-1.50x30
-4	6102 120AA	1				ED0, ER0	DG0		SCREW, Alternator, Starter Mounting
-5	6505 488AA	1				ED0, ER0	DG0		SCREW AND WASHER, Hex
-6	6506 929AA	1							NUT, Hex Flange Lock, M8x1.25

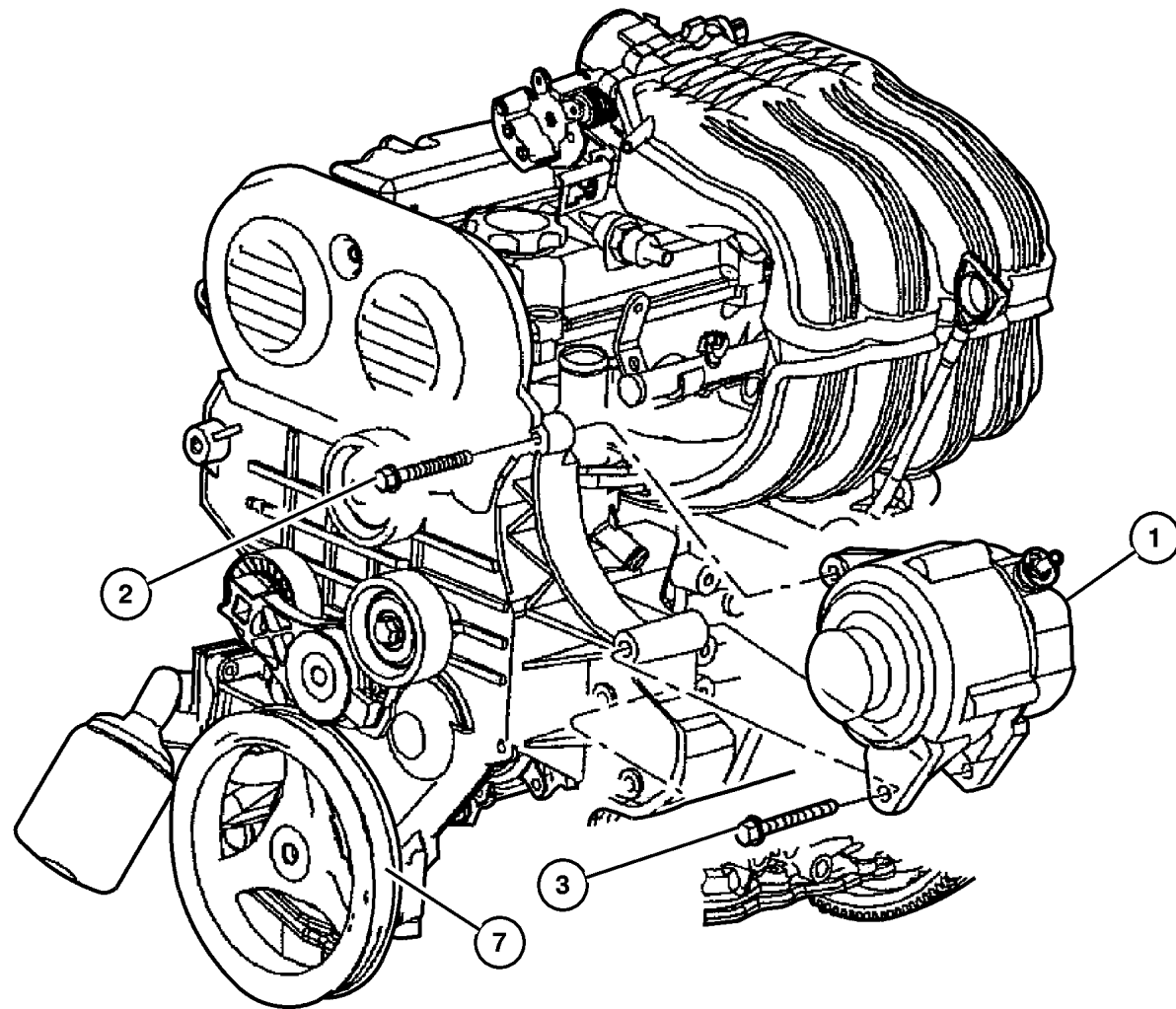
**JEEP WRANGLER (TJ)**

SERIES	LINE	BODY	ENGINE	TRANSMISSION
H = Sport	J = Wrangler 4WD	77 = 93.4 WB	ED1, ED0 = 2.4L DOHC	DGG, DGD = 32RH 3 Spd Auto
L = SE	U = Wrangler 4WD (RHD)		ERH = 4.0L Power Tech	DDD = 5 Speed HD Manual
M = X				DG0 = Auto. Trans.
P = Sahara				DBB = Manual Trans.
S = Rubicon				DDK = 5 Speed Manual

AR = Use as required - = Non illustrated part # = New this model year

September 29, 2003

**Alternator 2.4L Engine  
Figure 008-205**



ITEM	PART NUMBER	QTY	LINE	SERIES	BODY	ENGINE	TRANS	TRIM	DESCRIPTION
Notes:									
[EP0] = 2.5L Engine									
ERH=4.0L Power Tech Engine									
1	56044 530AB	1				ED0			ALTERNATOR
2	6102 120AA	1				ED0			SCREW, Alternator
3	6504 344	1				ED0, ER0			SCREW AND WASHER, Hex Head
-4	4861 371AA	1				ED0			BRACKET, Alternator
-5	6506 737AA	2				ED0			SCREW, Alternator Bracket, M10x1.5x100.00, Bracket To Block
-6	6506 990AA	3				ED0			SCREW, Hex Head, M10x1.5x40, Bracket To Block
7									BELT, Accessory Drive
	5281 351AC	1				ED0			With Air Conditioning
	53013 352AC	1				ED0			Without Air Conditioning
-8									PULLEY, Idler
	4781 569AB	1				ED0			Double Bearing, Idler/Timing
	53013 324AA	2				ED0			Without Air Conditioning
	53013 366AA	1				ED0			Without Air Conditioning
-9	53013 579AA	1				ED0			PULLEY, Alternator, Over Running Clutch
-10	53013 581AA	1				ED0			CAP, Alternator Pulley, Over Running Clutch
-11	6506 991AA	1				ED0			STUD, Alternator, Tensioner Mounting

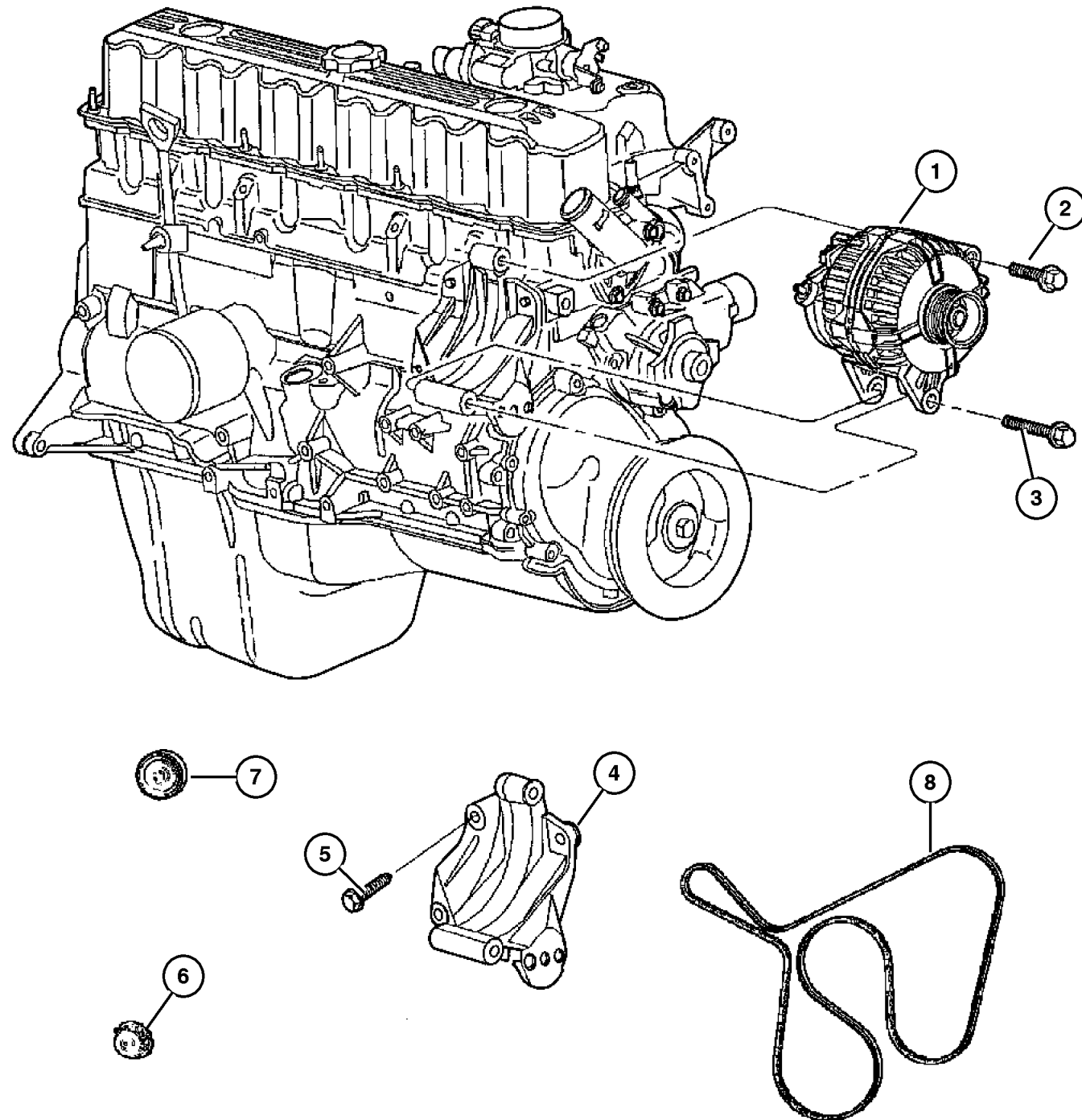
**JEEP WRANGLER (TJ)**

SERIES	LINE	BODY	ENGINE	TRANSMISSION
H = Sport	J = Wrangler 4WD	77 = 93.4 WB	ED1, ED0 = 2.4L DOHC	DGG, DGD = 32RH 3 Spd Auto
L = SE	U = Wrangler 4WD (RHD)		ERH = 4.0L Power Tech	DDD = 5 Speed HD Manual
M = X				DG0 = Auto. Trans.
P = Sahara				DBB = Manual Trans.
S = Rubicon				DDK = 5 Speed Manual

AR = Use as required - = Non illustrated part # = New this model year

September 29, 2003

## Alternator 4.0L Engine Figure 008-210



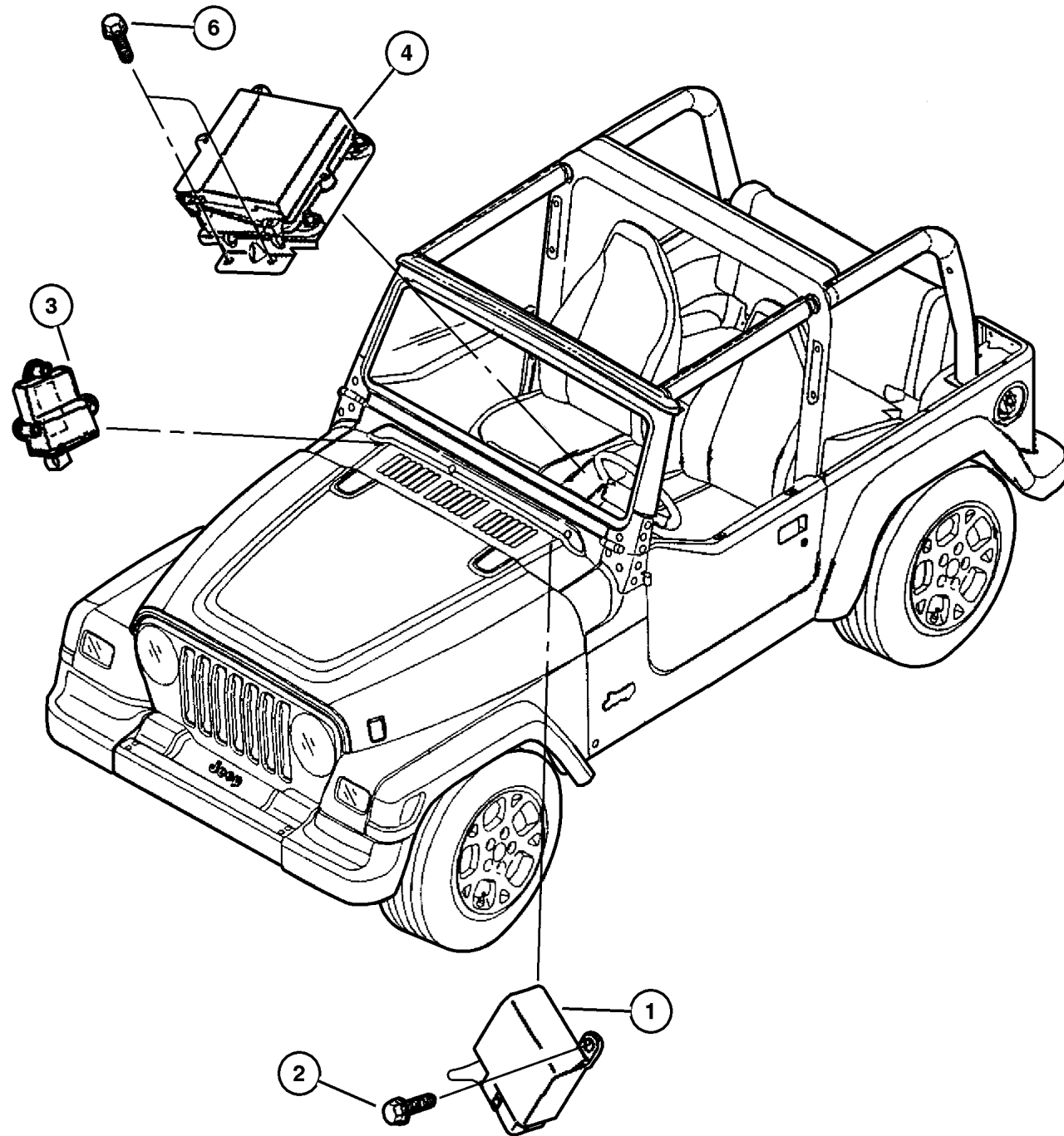
ITEM	PART NUMBER	QTY	LINE	SERIES	BODY	ENGINE	TRANS	TRIM	DESCRIPTION
Notes:									
[ER0]=4.0L Engine									
1	56041 864AB	1				ER0			ALTERNATOR
2	6505 488AA	1				ER0			SCREW AND WASHER, Hex
3	6504 344	1				ED0,			SCREW AND WASHER, Hex Head
						ER0			
4	4854 026	1				ER0			BRACKET, Alternator
5	0154 854AA	4				ER0			SCREW AND WASHER, Hex
6	4854 089AB	1				ER0			TENSIONER, Alternator Belt
7	4854 092	1				ER0			PULLEY, Idler
8									BELT, Accessory Drive
	53013 209AC	1				ER0			Without Air Conditioning
	4854 033AB	1				ER0			With Air Conditioning

<b>JEEP WRANGLER (TJ)</b>				
SERIES	LINE	BODY	ENGINE	TRANSMISSION
H = Sport	J = Wrangler 4WD	77 = 93.4 WB	ED1, ED0 = 2.4L DOHC	DGG, DGD = 32RH 3 Spd Auto
L = SE	U = Wrangler 4WD (RHD)		ERH = 4.0L Power Tech	DDD = 5 Speed HD Manual
M = X				DG0 = Auto. Trans.
P = Sahara				DBB = Manual Trans.
S = Rubicon				DDK = 5 Speed Manual

AR = Use as required - = Non illustrated part # = New this model year

September 29, 2003

Modules  
Figure 008-405



ITEM	PART NUMBER	QTY	LINE	SERIES	BODY	ENGINE	TRANS	TRIM	DESCRIPTION
1	5600 4262	1							MODULE, Daytime Running Lamp, Daytime Running Lamp
2									SCREW, 250-14x.625 (Not Serviced) ***, (NOT SERVICED) (Not Serviced)
3	56010 209AC	1							MODULE, Immobilizer
4	56010 300AC	1							MODULE, Air Bag Control
-5	J400 4642	1							SCREW, Round Head, .164-18x.560, Airbag Module Ground
6									SCREW, M6.3x1.81x20.00 , (NOT SERVICED) (Not Serviced)
-7	#56041 897AD	1					DG6		MODULE, Transmission Control
-8	#56047 125AB	1							BRACKET, Module, Daytime Running Lamp
-9	6505 901AA	3					DG0		SCREW, Hex Head, M6.3 x 1.27 x 16.00, Bracket to Transmission Module
-10	#56044 681AA	1	J	S		ER0	DG0		MODULE, Powertrain Control, Export
-11	#55156 374AC	1	J						MODULE, Wiper

JEEP WRANGLER (TJ)

SERIES	LINE	BODY	ENGINE	TRANSMISSION
H = Sport	J = Wrangler 4WD	77 = 93.4 WB	ED1, ED0 = 2.4L DOHC	DGG, DGD = 32RH 3 Spd Auto
L = SE	U = Wrangler 4WD (RHD)		ERH = 4.0L Power Tech	DDD = 5 Speed HD Manual
M = X				DG0 = Auto. Trans.
P = Sahara				DBB = Manual Trans.
S = Rubicon				DDK = 5 Speed Manual

AR = Use as required - = Non illustrated part # = New this model year

September 29, 2003

**Power Distribution Center Relays and Fuses**  
**Figure 008-505**

ITEM	PART NUMBER	QTY	LINE	SERIES	BODY	ENGINE	TRANS	TRIM	DESCRIPTION
------	-------------	-----	------	--------	------	--------	-------	------	-------------

Notes:

[DG0] = All Automatic Transmissions

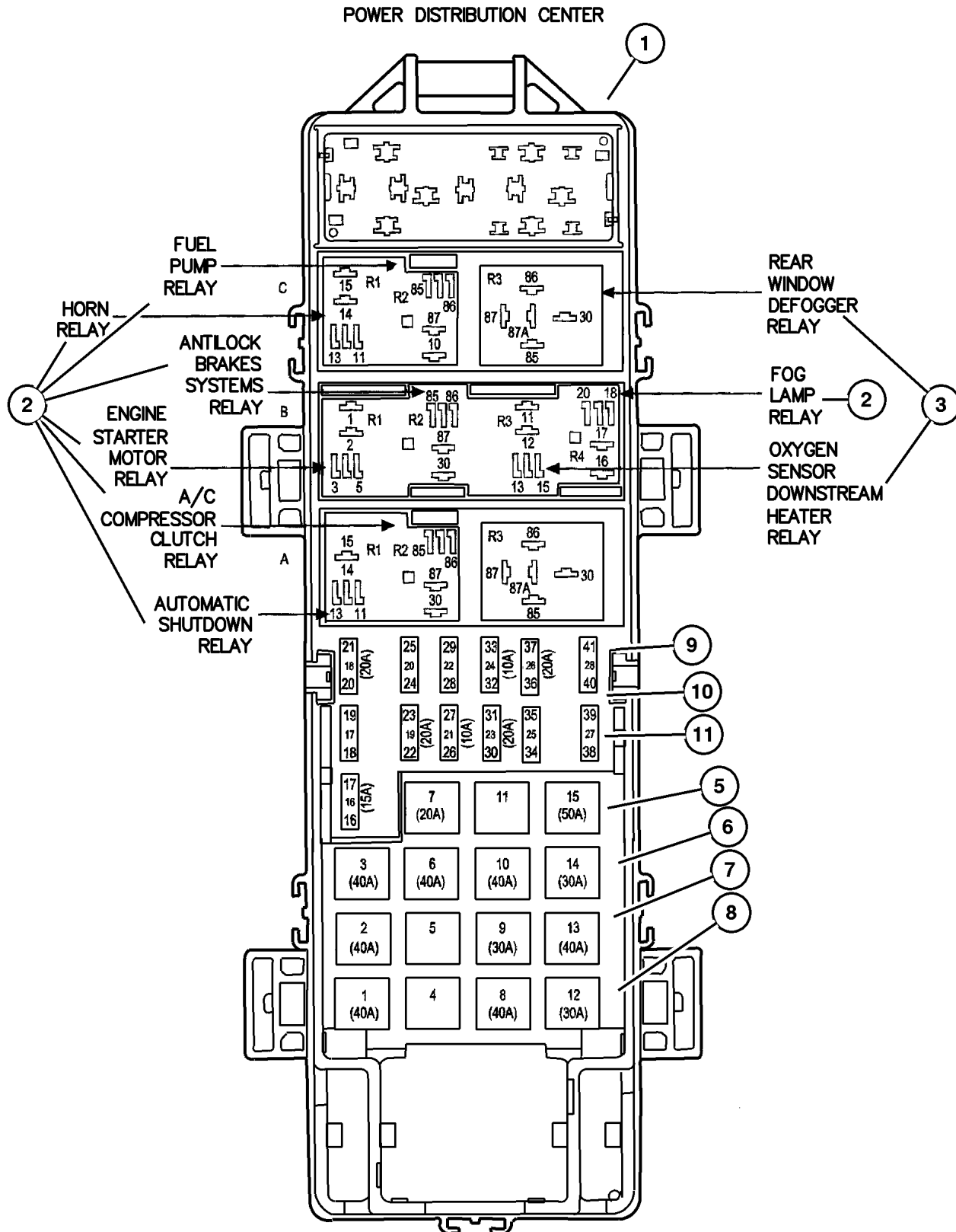
1									POWER DISTRIBUTION CENTER, Serviced in Headlamp to Dash Harness, (NOT SERVICED) (Not Serviced)
2	4671 168	AR							RELAY, Mini, ABS Pump, Clutch, Heater & Foglamp
3	4638 094	1							RELAY PACKAGE, Electrical, Rear Defroster Relay
-4	4638 904	1							SEAL, Rear Defroster Relay
5	6102 075AA	AR							FUSE CARTRIDGE, 20 Amp
6	6102 076AA	AR							FUSE CARTRIDGE, 30 Amp
7	6102 077AA	1							FUSE CARTRIDGE, 40 Amp
8	6102 078AA	AR							FUSE CARTRIDGE, 50 Amp
9	00AT M10	2							FUSE, Mini, 10 AMP, Red
10	00AT M15	AR							FUSE, Mini, 15 AMP, Light Blue
11	00AT M20	1					DG0		FUSE, Mini, 20 AMP, Yellow
-12									COVER, Power Distribution Center Top
	#5096 146AA	AR							Bottom
	56047 000AA	1							
-13	56041 891AD	1				ED0			RELAY, Radiator Fan

**JEEP WRANGLER (TJ)**

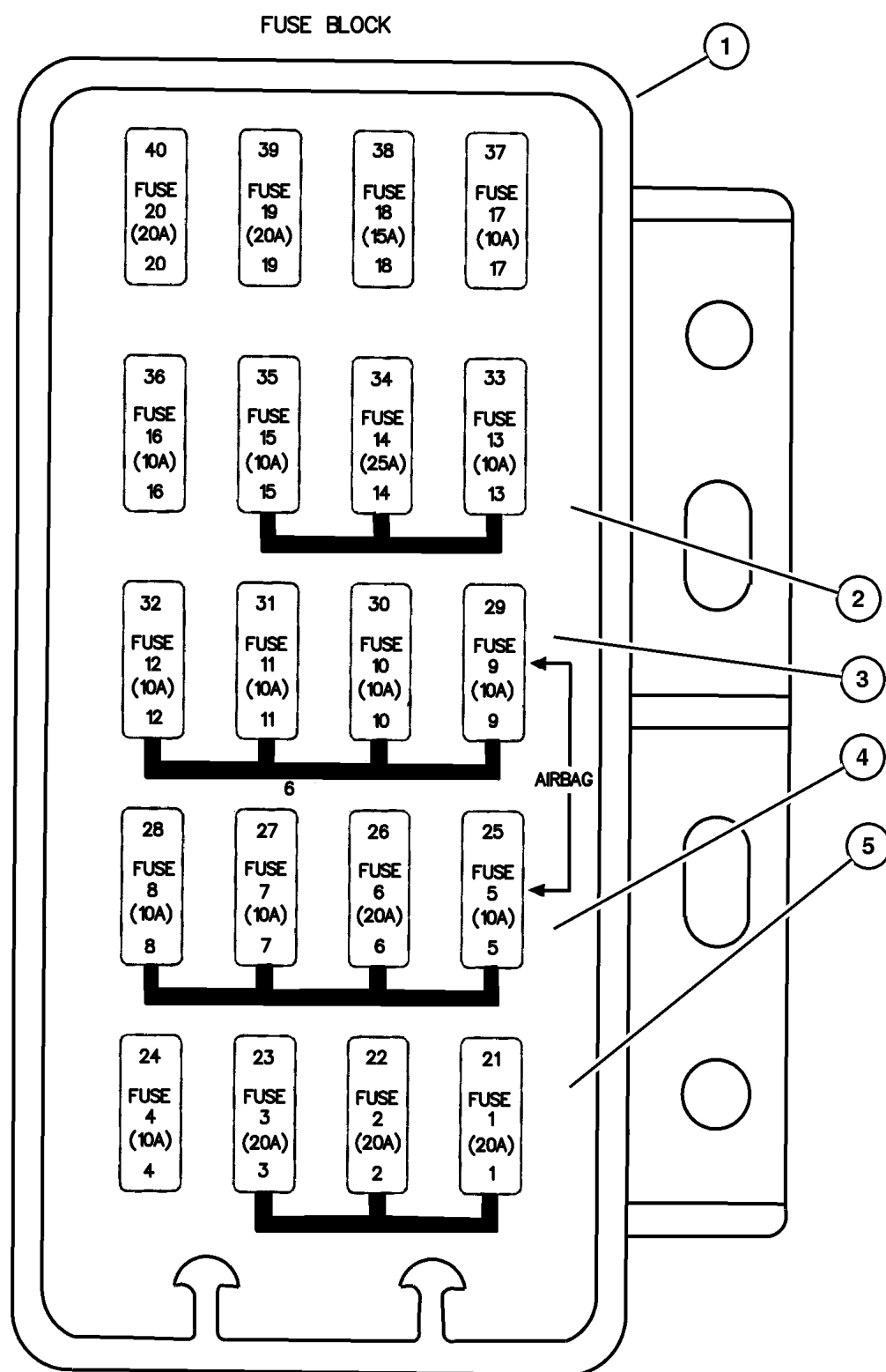
<b>SERIES</b>	<b>LINE</b>	<b>BODY</b>	<b>ENGINE</b>	<b>TRANSMISSION</b>
H = Sport	J = Wrangler 4WD	77 = 93.4 WB	ED1, ED0 = 2.4L DOHC	DGG, DGD = 32RH 3 Spd Auto
L = SE	U = Wrangler 4WD (RHD)		ERH = 4.0L Power Tech	DDD = 5 Speed HD Manual
M = X				DG0 = Auto. Trans.
P = Sahara				DBB = Manual Trans.
S = Rubicon				DDK = 5 Speed Manual

AR = Use as required - = Non illustrated part # = New this model year

September 29, 2003



# Fuse Block Figure 008-510



ITEM	PART NUMBER	QTY	LINE	SERIES	BODY	ENGINE	TRANS	TRIM	DESCRIPTION
------	-------------	-----	------	--------	------	--------	-------	------	-------------

Notes:

[DG0] = All Automatic Transmissions

1									BLOCK, Fuse, Serviced in Cross Body Harness, (NOT SERVICED) (Not Serviced)
2	00AT M10	2							FUSE, Mini, 10 AMP, Red
3	00AT M15	AR							FUSE, Mini, 15 AMP, Light Blue
4	00AT M20	1					DG0		FUSE, Mini, 20 AMP, Yellow
5	00AT M25	AR							FUSE, Mini, 25 Amp, Natural
-6	#56047 126AA	1				ED0			BREAKER, Circuit, Radiator Fan
-7	6101 757	2					DG0		FUSIBLE LINK

**JEEP WRANGLER (TJ)**

SERIES	LINE	BODY	ENGINE	TRANSMISSION
H = Sport	J = Wrangler 4WD	77 = 93.4 WB	ED1, ED0 = 2.4L DOHC	DGG, DGD = 32RH 3 Spd Auto
L = SE	U = Wrangler 4WD (RHD)		ERH = 4.0L Power Tech	DDD = 5 Speed HD Manual
M = X				DG0 = Auto. Trans.
P = Sahara				DBB = Manual Trans.
S = Rubicon				DDK = 5 Speed Manual

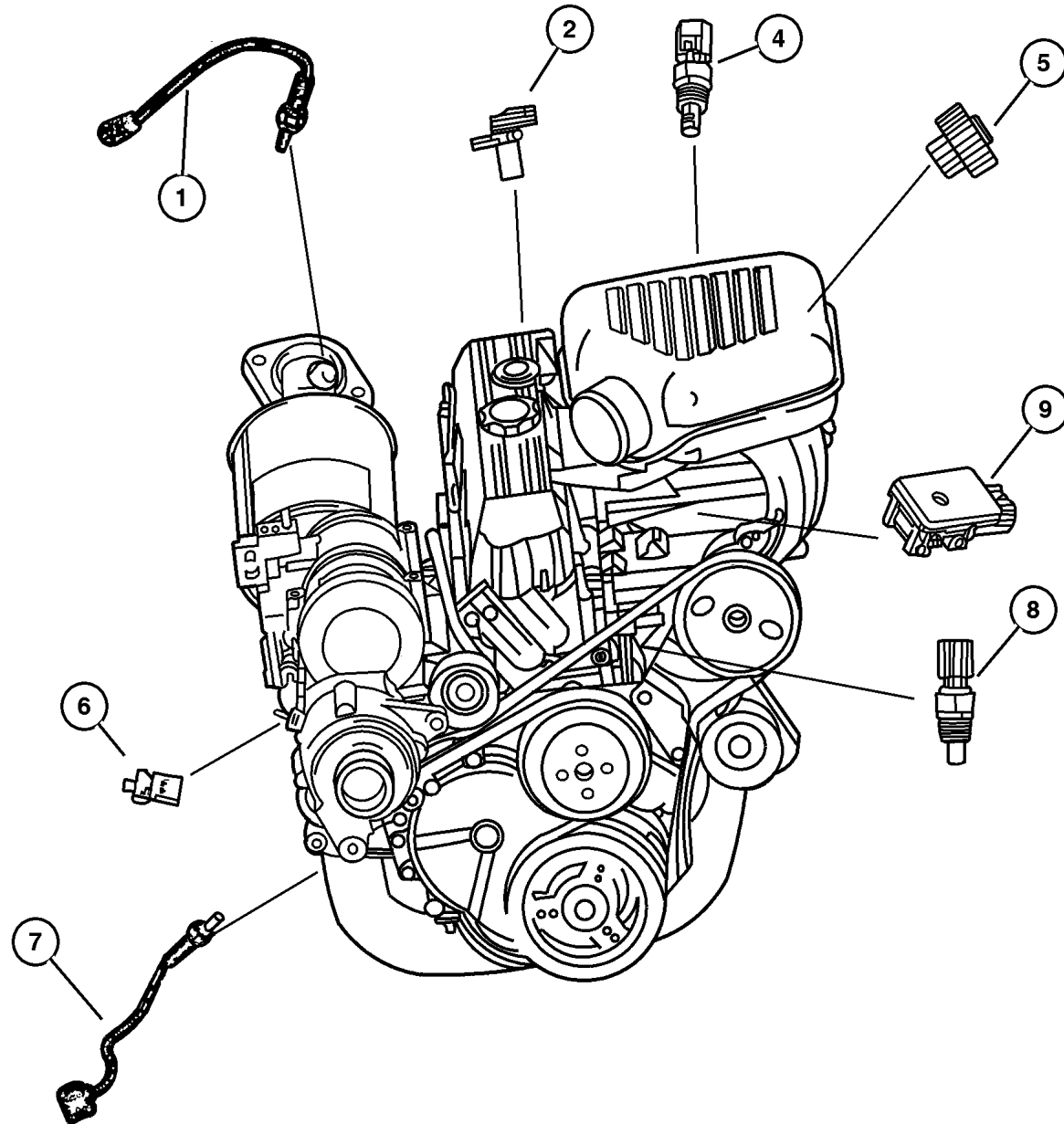
AR = Use as required - = Non illustrated part # = New this model year

September 29, 2003



**Sensors Engine 2.4L Engine [ED0]  
Figure 008-605**

ITEM	PART NUMBER	QTY	LINE	SERIES	BODY	ENGINE	TRANS	TRIM	DESCRIPTION
Notes:									
[EP0] = 2.5L Engine									
[ER0] = 4.0L Engine									
1	56029 112AA	1				ED0			SENSOR, Oxygen, After Catalyst
2	56041 552AD	1				ED0			SENSOR, Crankshaft Position
-3	6506 492AA	1				ED0			SCREW, Crank Sensor Mounting
4	56028 364AA	1				ED0			SENSOR, Air Temperature
5	4874 371AD	1				ED0			SENSOR, Throttle Position
6	4608 303AB	1				ED0			SWITCH, Oil Pressure
7	56031 110AA	1				ED0			SENSOR, Oxygen, Before Catalyst
8	5602 7873	1				ED0			SENSOR, Coolant Temperature
9	56041 018AB	1				ED0			SENSOR, Map
-10	6505 501AA	2				ED0			SCREW, M4x16, Map Sensor attaching
-11	5072 759AA	1				ED0			SENSOR, Camshaft
-12	#55177 252AB	1							BRACKET, ABS Sensor



<b>JEEP WRANGLER (TJ)</b>				
SERIES	LINE	BODY	ENGINE	TRANSMISSION
H = Sport	J = Wrangler 4WD	77 = 93.4 WB	ED1, ED0 = 2.4L DOHC	DGG, DGD = 32RH 3 Spd Auto
L = SE	U = Wrangler 4WD (RHD)		ERH = 4.0L Power Tech	DDD = 5 Speed HD Manual
M = X				DG0 = Auto. Trans.
P = Sahara				DBB = Manual Trans.
S = Rubicon				DDK = 5 Speed Manual

AR = Use as required - = Non illustrated part # = New this model year

September 29, 2003

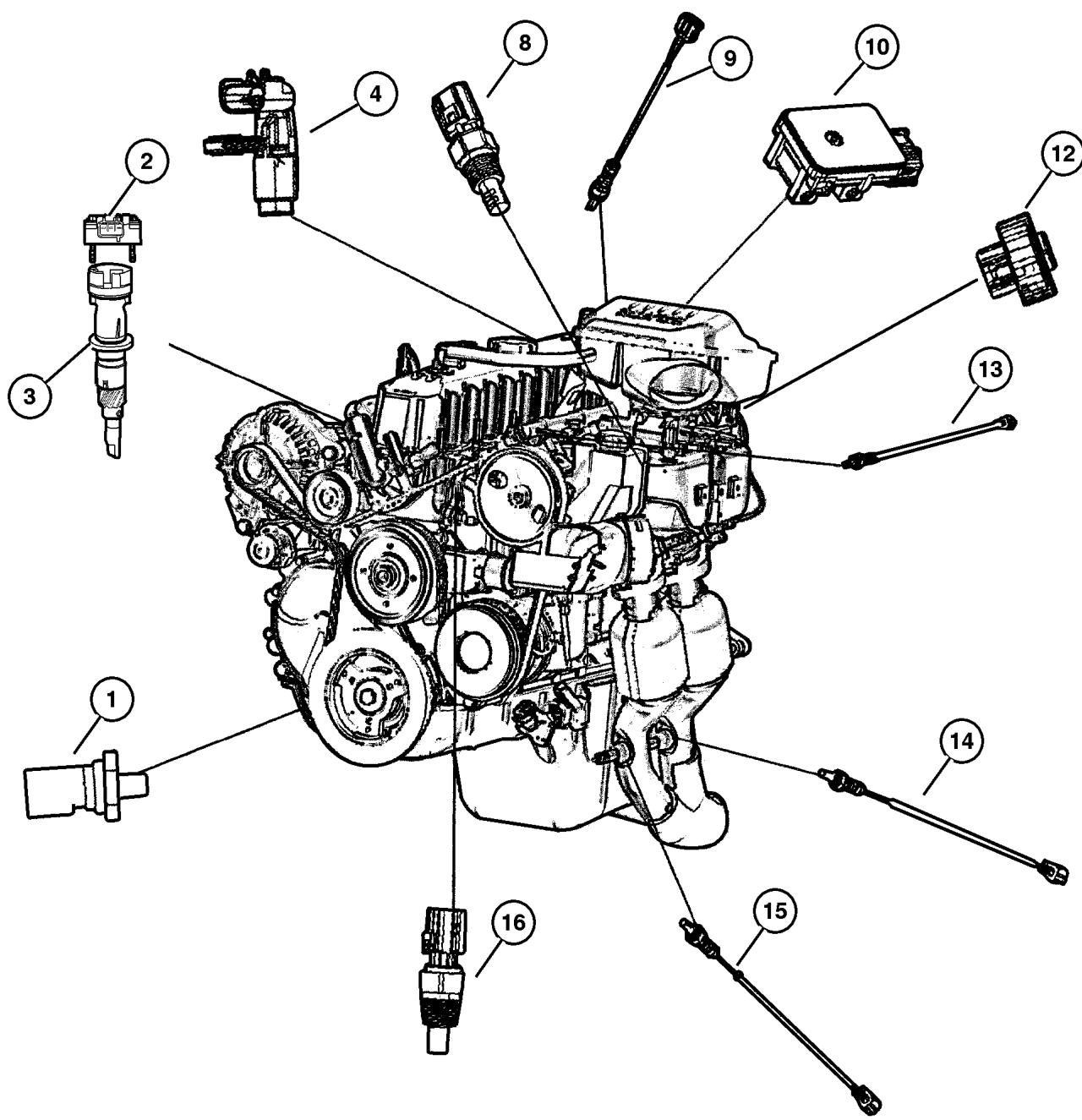
## Sensors Engine 4.0L [ER0] Figure 008-610

ITEM	PART NUMBER	QTY	LINE	SERIES	BODY	ENGINE	TRANS	TRIM	DESCRIPTION
------	-------------	-----	------	--------	------	--------	-------	------	-------------

Notes:

[ER0]=All 4.0L Engine  
[DG0]=All Automatic Transmissions

1	4868 672AA	1				ER0			SWITCH, Oil Pressure
2	4897 023AA	1				ER0			SENSOR, Camshaft
3	53010 615AA	1				ER0			DRIVE, OIL PUMP
4	56027 865AB	1				ER0	DBB		SENSOR, Crankshaft Position Manual Transmission
	#4609 153AE	1				ER0	DG0		Automatic Transmission
-5	6503 520	2				ER0	DBB		BOLT AND WASHER, Hex Head, M7x1.00x25, [Crank Sensor attaching, M7x1.00x25.00]
-6	6501 957	1				ER0	DG0		SCREW, [M6x1.00x20.00]
-7	56041 697AA	1				ER0	DBB		BRACKET, Crank Sensor Wiring
8	5602 7872	1				ER0			SENSOR, Air Temperature
9	56031 110AA	1				ER0			SENSOR, Oxygen Before Catalyst (Rear) U.S. 50 State Emission
	56041 887AA	1				ER0			Before Catalyst (Export / Euro Stage II or III Emission Vehicle Emissions)
	56041 943AA	1				ER0			Before Catalyst (Front) U.S. 50 State Emission
		1				ER0			Before Catalyst (Front) Export / Japan Low Emission Vehicle Emissions
		1		S		ER0			Before Catalyst (Front) Export / Euro Stage II or III Emission Vehicle Emissions
10	5602 9405	1				ER0			SENSOR, Map Up to 11/02/02
	#56044 545AA	1				ER0			11/02/02 & After
-11	6504 512	2				ER0			SCREW, Pan Head, Map Sensor attaching
12	4874 371AD	1				ER0			SENSOR, Throttle Position
13	56031 110AA	1				ER0			SENSOR, Oxygen Before Catalyst Rear (U.S. 50 State Emission)
		1				ER0			Before Catalyst Rear (Export / Japan Low Emission Vehicle Emissions)
14									SENSOR, Oxygen



**JEEP WRANGLER (TJ)**

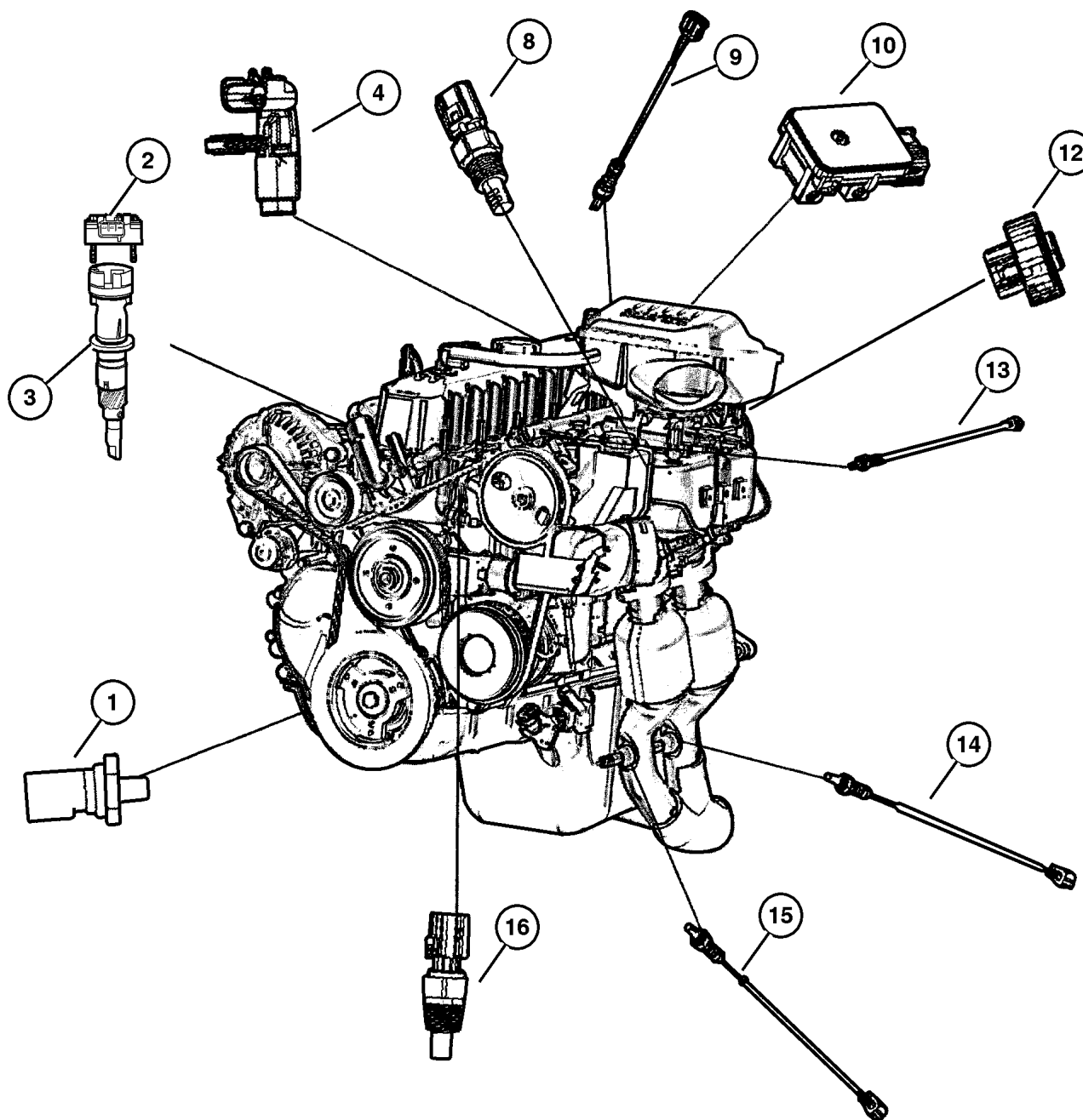
SERIES	LINE	BODY	ENGINE	TRANSMISSION
H = Sport L = SE M = X P = Sahara S = Rubicon	J = Wrangler 4WD U = Wrangler 4WD (RHD)	77 = 93.4 WB	ED1, ED0 = 2.4L DOHC ERH = 4.0L Power Tech	DGG, DGD = 32RH 3 Spd Auto DDD = 5 Speed HD Manual DG0 = Auto. Trans. DBB = Manual Trans. DDK = 5 Speed Manual

AR = Use as required - = Non illustrated part # = New this model year

September 29, 2003

Sensors Engine 4.0L [ER0]  
Figure 008-610

ITEM	PART NUMBER	QTY	LINE	SERIES	BODY	ENGINE	TRANS	TRIM	DESCRIPTION
	56041 848AA	1				ER0			After Catalyst Rear (Export / Japan Low Emission Vehicle Emissions)
		1				ER0			After Catalyst Rear (U.S. 50 State Emission)
	56029 112AA	1				ER0			After Catalyst Europe (Export / Euro Stage II or III Emission Vehicle Emissions)
15									SENSOR, Oxygen
	56041 847AA	1				ER0			After Catalyst Front (U.S. 50 State Emission)
		1				ER0			After Catalyst Front (Export / Japan Low Emission Vehicle Emissions)
16	5602 7873	1				ER0			SENSOR, Coolant Temperature
-17									BRACKET, Oxygen Sensor Connector
	56027 978AB	1				ER0			
	#56044 191AA	1				ER0	DG0		
-18	J420 0413	2				ER0			PLUG, Cylinder Block Oil Hole, O2 Sensor Hole Plug
-19	#55177 252AB	1							BRACKET, ABS Sensor



JEEP WRANGLER (TJ)

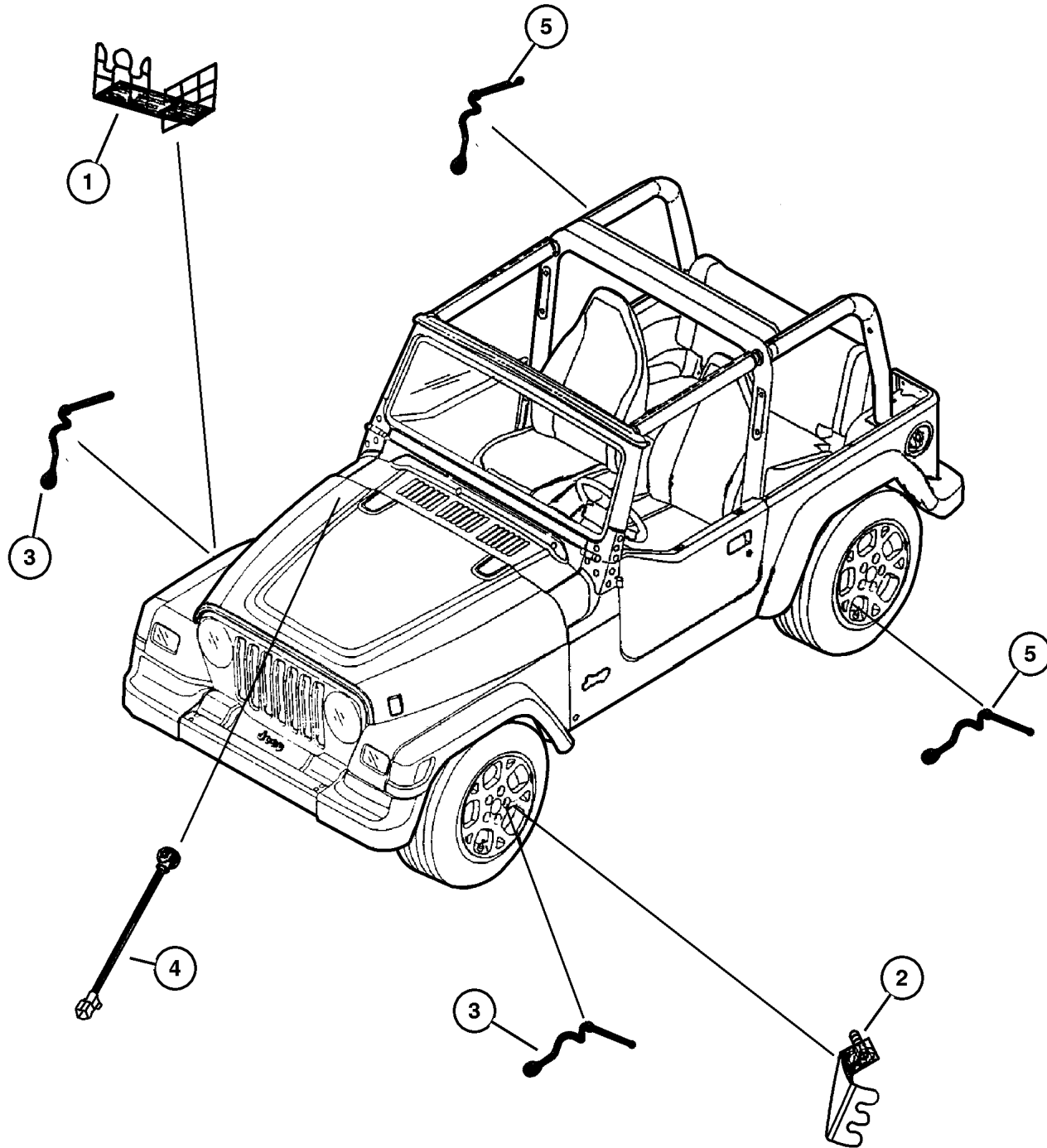
SERIES	LINE	BODY	ENGINE	TRANSMISSION
H = Sport	J = Wrangler 4WD	77 = 93.4 WB	ED1, ED0 = 2.4L DOHC	DGG, DGD = 32RH 3 Spd Auto
L = SE	U = Wrangler 4WD (RHD)		ERH = 4.0L Power Tech	DDD = 5 Speed HD Manual
M = X				DG0 = Auto. Trans.
P = Sahara				DBB = Manual Trans.
S = Rubicon				DDK = 5 Speed Manual

AR = Use as required - = Non illustrated part # = New this model year

September 29, 2003

Sensors - Body  
Figure 008-615

ITEM	PART NUMBER	QTY	LINE	SERIES	BODY	ENGINE	TRANS	TRIM	DESCRIPTION
1									BRACKET, Brake Sensor
	5200 7804	1	J						Right
	5200 7805	1	J						Left
	5602 6766	1	J						At Steering Knuckle / Upper Ball Stud, Right
	5602 6767	1	J						At Steering Knuckle / Upper Ball Stud, Left
2	5200 8920	1							BRACKET, ABS Sensor
3	5602 7727	2	J						SENSOR, Anti-Lock Brakes, Front
4	5602 7332	1							SENSOR, Battery Temperature
5									SENSOR, Anti-Lock Brakes
	5602 7728	1	J						Rear Right
	5602 7729	1	J						Rear Left
-6	5200 8919	1							BRACKET, ABS Sensor
-7	5604 2395	1							SENSOR, Ambient Temperature
-8	#56047 123AB	1							BRACKET, Ambient Temperature Sensor



JEEP WRANGLER (TJ)

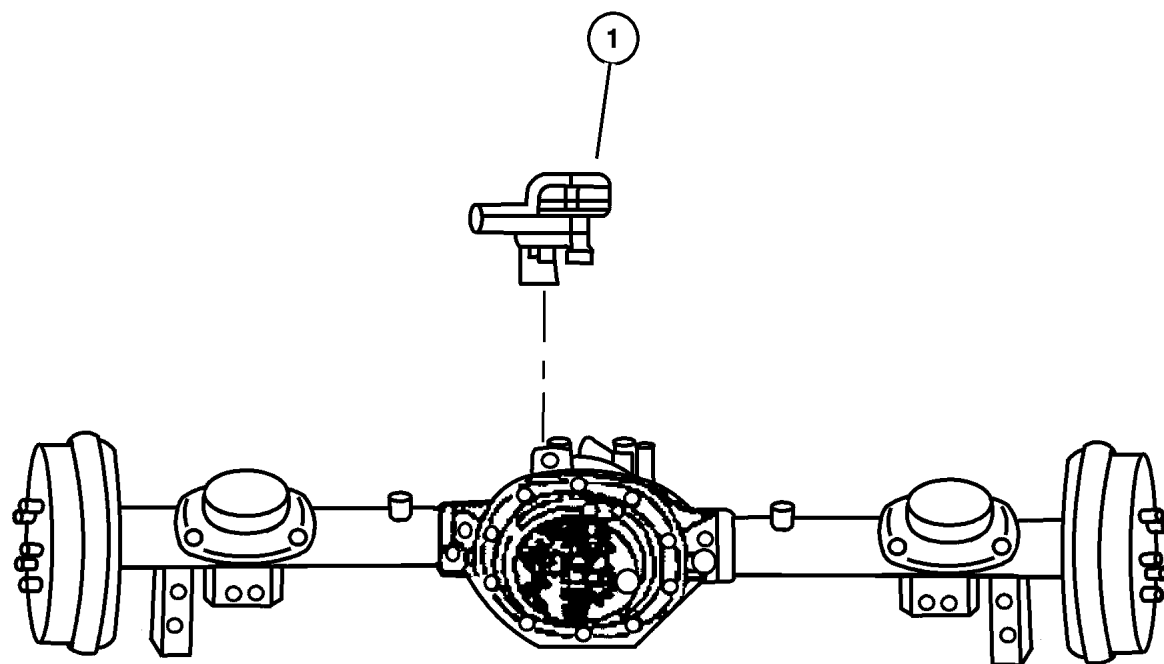
SERIES	LINE	BODY	ENGINE	TRANSMISSION
H = Sport	J = Wrangler 4WD	77 = 93.4 WB	ED1, ED0 = 2.4L DOHC	DGG, DGD = 32RH 3 Spd Auto
L = SE	U = Wrangler 4WD (RHD)		ERH = 4.0L Power Tech	DDD = 5 Speed HD Manual
M = X				DG0 = Auto. Trans.
P = Sahara				DBB = Manual Trans.
S = Rubicon				DDK = 5 Speed Manual

AR = Use as required - = Non illustrated part # = New this model year

September 29, 2003

**Sensors Drive Train  
Figure 008-620**

ITEM	PART NUMBER	QTY	LINE	SERIES	BODY	ENGINE	TRANS	TRIM	DESCRIPTION
1	5602 7905	1							SENSOR, Vehicle Speed
-2									SENSOR, Transmission Output Speed
	#52854 001AA	1				ER0	DG6		
		1				ED0	DG6		
-3									SENSOR, Transmission Input Speed
	#4799 061AB	1				ER0	DG6		
		1				ED0	DG6		
-4									SENSOR, Manual Valve Lever
	4659 677AC	1				ER0	DG6		
		1				ED0	DG6		
-5	#5093 610AA	1							SENSOR, Speed
-6									O RING
	4799 062	1				ER0	DG6		Speed Sensor
		1				ED0	DG6		Speed Sensor
-7	#5093 612AA	1							SEAL, Speed Sensor (O-Ring)
-8	6503 254	2							SCREW, Hex Head, Speed Sensor Wiring Clip to Frame



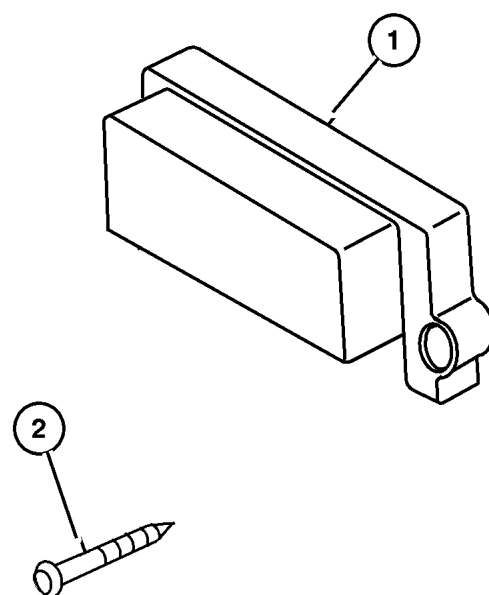
**JEEP WRANGLER (TJ)**

SERIES	LINE	BODY	ENGINE	TRANSMISSION
H = Sport	J = Wrangler 4WD	77 = 93.4 WB	ED1, ED0 = 2.4L DOHC	DGG, DGD = 32RH 3 Spd Auto
L = SE	U = Wrangler 4WD (RHD)		ERH = 4.0L Power Tech	DDD = 5 Speed HD Manual
M = X				DG0 = Auto. Trans.
P = Sahara				DBB = Manual Trans.
S = Rubicon				DDK = 5 Speed Manual

AR = Use as required - = Non illustrated part # = New this model year

September 29, 2003

**Single Board Engine Controllers (JTEC Module)  
Figure 008-705**



ITEM	PART NUMBER	QTY	LINE	SERIES	BODY	ENGINE	TRANS	TRIM	DESCRIPTION
Notes:									
[ED0]=2.4L Engine									
[ER0]=4.0L Engine									
[DG0]=Automatic Transmission									
[DBB]= Manual Transmission									
[NA1]=Export Emission									
[NAS]=U.S. 50 States Emission									
[NB3]=Euro Stage III Emission									
[NBJ]=Japan Low Emission Vehicle									
[NBT]=Transitory Low Emission Vehicle									
[NBV]=Low Emission Vehicle									
1									MODULE, Engine Controller
	#56044 088AG	1				ED0	DBB		[NAS]
	#56044 097AG	1				ER0	DG0		[NA1] [NB3]
	#56044 098AG	1				ER0	DG0		[NA1] [NBJ]
	#56044 091AG	1				ED0	DG0		[NAS]
	#56044 093AG	1		H, L, M, P		ER0	DBB		[NAS]
	#56044 096AG	1		H, L, M, P		ER0	DG0		[NAS]
	#56044 385AC	1	J	S		ER0	DBB		[NAS]
	#56044 386AC	1	J	S		ER0	DG0		[NAS]
	#56044 089AG	1				ED0	DBB		[NA1] [NB3]
	#56044 094AG	1				ER0	DBB		[NA1] [NB3]
	#56044 095AG	1				ER0	DBB		[NA1] [NBJ]
2									SCREW, [.190-16x1.75] , (NOT SERVICED) (Not Serviced)
-3									COVER, Module, (NOT SERVICED) (Not Serviced)
-4	#56041 929AB	1					DG0		BRACKET, Control Unit

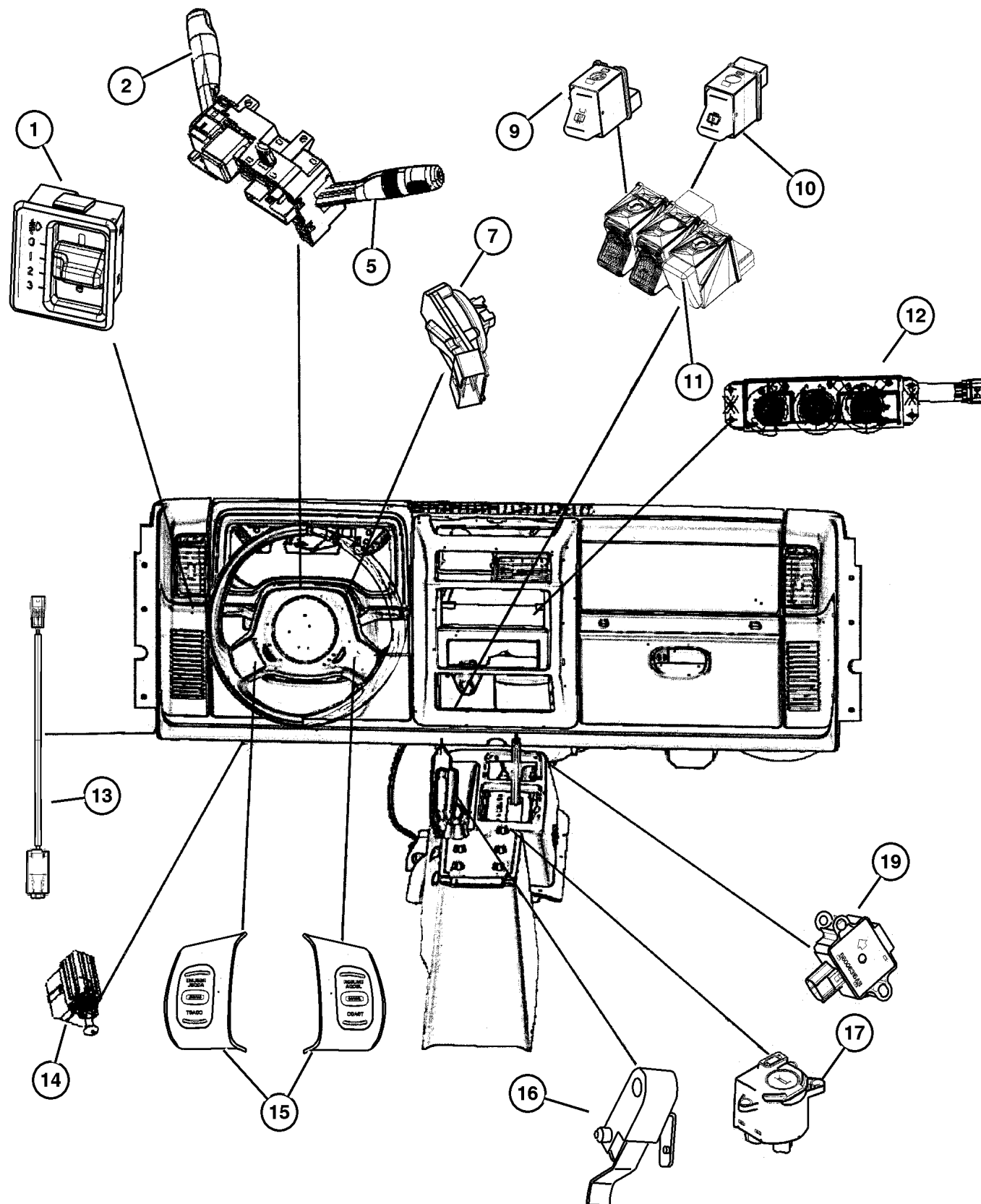
**JEEP WRANGLER (TJ)**

SERIES	LINE	BODY	ENGINE	TRANSMISSION
H = Sport	J = Wrangler 4WD	77 = 93.4 WB	ED1, ED0 = 2.4L DOHC	DGG, DGD = 32RH 3 Spd Auto
L = SE	U = Wrangler 4WD (RHD)		ERH = 4.0L Power Tech	DDD = 5 Speed HD Manual
M = X				DG0 = Auto. Trans.
P = Sahara				DBB = Manual Trans.
S = Rubicon				DDK = 5 Speed Manual

AR = Use as required - = Non illustrated part # = New this model year

September 29, 2003

## Switches - Instrument Panel Figure 008-805



ITEM	PART NUMBER	QTY	LINE	SERIES	BODY	ENGINE	TRANS	TRIM	DESCRIPTION
Notes:									
DG0=Automatic Transmission									
DBB= Manual Transmission									
1	56009 640AB	1							SWITCH, Headlamp Leveling
2									SWITCH, Multifunction, Left Stalk
									Includes Interior Lights, Exterior Lights (High/Low) & Turn Signal Controls
	5016 708AC	1							Without Foglamp
	5016 709AC	1							With Front Foglamp
	5016 710AC	1							With Rear Foglamp (Export)
-3	6036 075AA	2							SCREW, Pan Head, Multifunction Switch Attaching
-4	55315 027AB	1							WATERSHIELD, Switch, Left
5									SWITCH, Intermittent Wiper, Right Stalk Includes Windshield Washer & Wiper Functions
	5016 711AA	1							Without Foglamp
		1							With Front Foglamp
		1							With Rear Foglamp (Export)
-6	55315 026AB	1							WATERSHIELD, Switch, Right
7									SWITCH, Ignition
	4793 576AB	1					DG0		
		1					DBB		
-8	6035 021	1					DG0		SCREW, Pan Head Tapping, .125-40x.437, Ignition Switch Attaching
9									SWITCH, Electric Back Light
	5600 7250	1					DBB		
		1					DG0		
10									SWITCH, Wiper and Washer
	5600 7249	1					DBB		Rear
		1					DG0		Rear
11									PLUG, Switch Opening
	#56007 285AB	1					DBB		Over Drive Lockout
	5600 7329	1					DBB		Heated Rear Window
		1					DG0		Heated Rear Window
	5600 7330	1					DBB		Rear Wahser & Wiper
		1					DG0		Rear Wahser & Wiper
	#56047 065AA	1					DBB		Axle Lock
		1					DG0		Axle Lock
12									SWITCH, A/C and Heater Vacuum

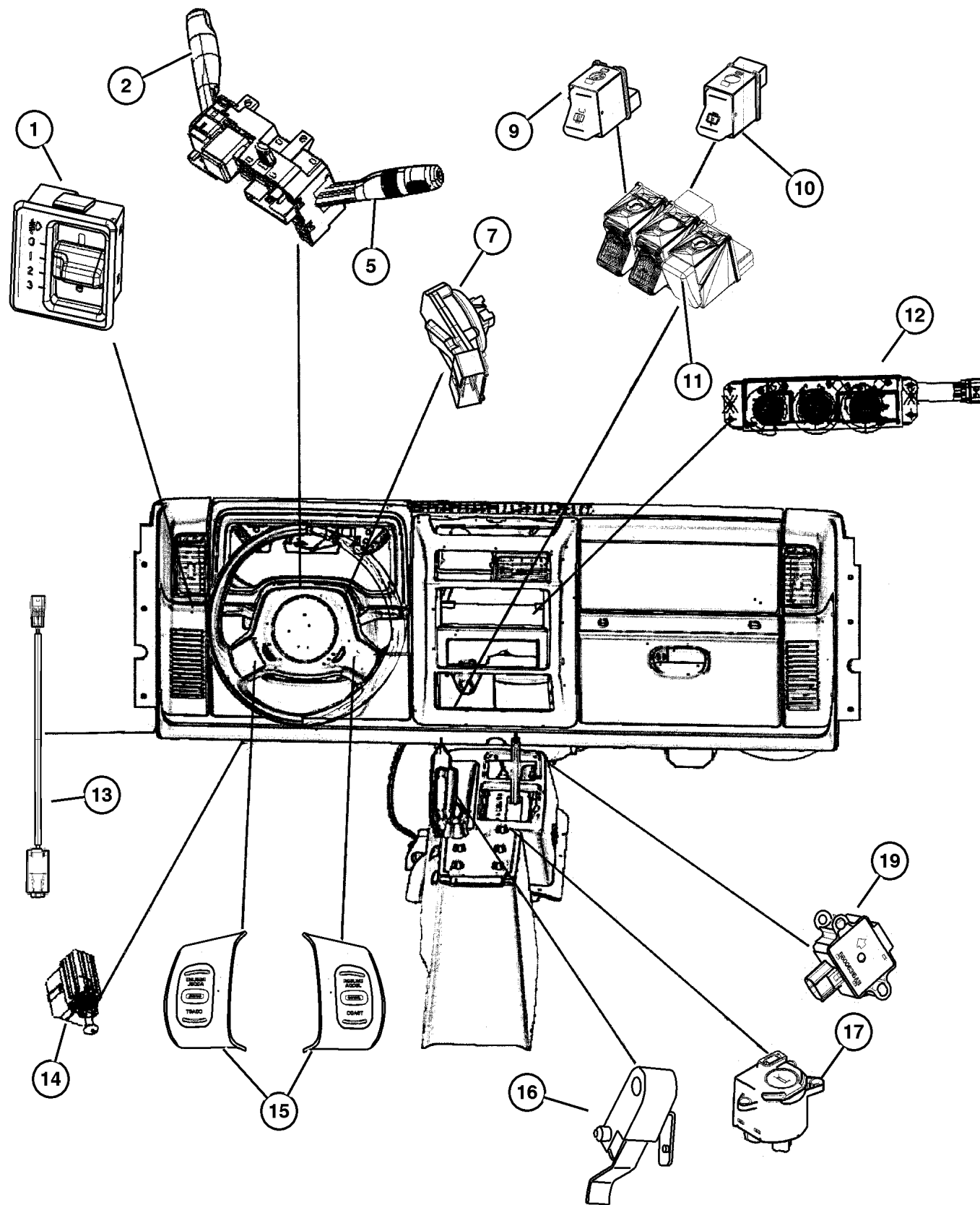
### JEEP WRANGLER (TJ)

SERIES	LINE	BODY	ENGINE	TRANSMISSION
H = Sport	J = Wrangler 4WD	77 = 93.4 WB	ED1, ED0 = 2.4L DOHC	DGG, DGD = 32RH 3 Spd Auto
L = SE	U = Wrangler 4WD (RHD)		ERH = 4.0L Power Tech	DDD = 5 Speed HD Manual
M = X				DG0 = Auto. Trans.
P = Sahara				DBB = Manual Trans.
S = Rubicon				DDK = 5 Speed Manual

AR = Use as required - = Non illustrated part # = New this model year

September 29, 2003

Switches - Instrument Panel  
Figure 008-805



ITEM	PART NUMBER	QTY	LINE	SERIES	BODY	ENGINE	TRANS	TRIM	DESCRIPTION
	5013 832AA	1	U						Without Air Conditioning
	5013 833AA	1	U						With Air Conditioning
13	5600 9047	1	J				DBB		SWITCH, Clutch Starter Interlock
14	4671 336	1							SWITCH, Stop Lamp
15									SWITCH, Speed Control
	5GY38 DX9AA	1							Right
	5GY39 DX9AA	1							Left
16	5212 7960	1							SWITCH, Parking Brake
17									SWITCH, Passenger Airbag Disarm
	#56010 301AB	1					DBB		
							DG0		
-18	5016 046AA	1							AIRBAG ON-OFF PACKAGE, Driver & Passenger Side
19	56006 315AB	1							SWITCH, Anti Lock Brake Accelarat
-20	#56047 020AA	1					DG0		SWITCH, Overdrive Lockout
-21	4886 258AA	1							SWITCH, Programing Bypass

JEEP WRANGLER (TJ)

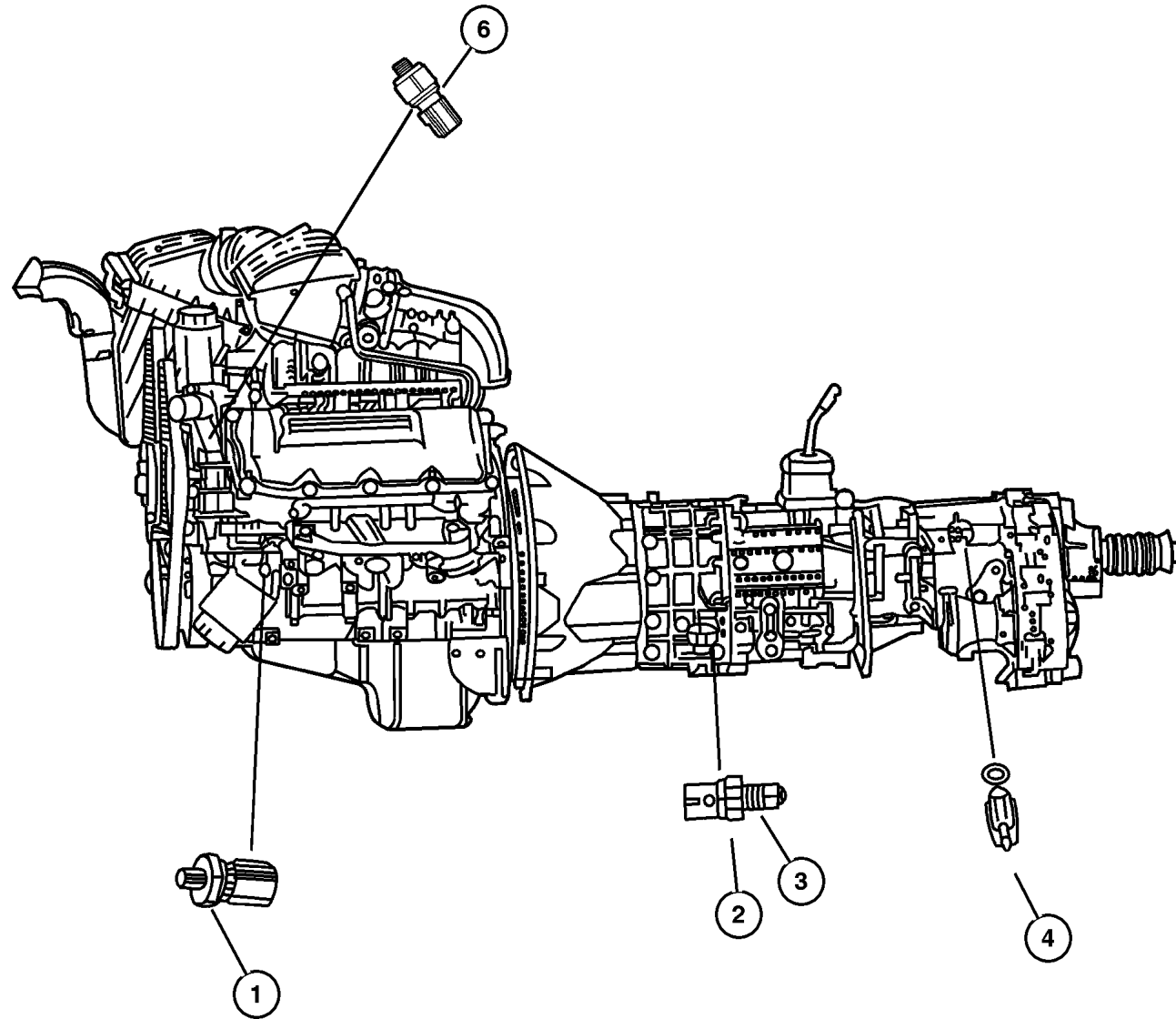
SERIES	LINE	BODY	ENGINE	TRANSMISSION
H = Sport	J = Wrangler 4WD	77 = 93.4 WB	ED1, ED0 = 2.4L DOHC	DGG, DGD = 32RH 3 Spd Auto
L = SE	U = Wrangler 4WD (RHD)		ERH = 4.0L Power Tech	DDD = 5 Speed HD Manual
M = X				DG0 = Auto. Trans.
P = Sahara				DBB = Manual Trans.
S = Rubicon				DDK = 5 Speed Manual

AR = Use as required - = Non illustrated part # = New this model year

September 29, 2003



Switches Drivetrain  
Figure 008-810



ITEM	PART NUMBER	QTY	LINE	SERIES	BODY	ENGINE	TRANS	TRIM	DESCRIPTION
Notes:									
[EP0] = 2.5L Engine									
[ER0] = 4.0L Engine									
[DBB] = Manual Transmission									
[DGG] = 3 Speed Automatic Transmission									
[DGD] = 3 Speed Automatic Transmission									
[DGQ] = 5 Speed Automatic Transmission									
[DDD] = 5 Speed Manual Transmission									
1									SWITCH, Oil Pressure
	4608 303AB	1				ED0			
	4868 672AA	1				ER0			
2									SENSOR, Manual Valve Lever
	4659 677AC	1				ER0	DG6		
		1				ED0	DG6		
3									SWITCH, Back Up Lamp
	5600 7163	1				ED0	DDK		
		1	J			ER0	DDD		
		1	U			ER0	DDD		
4									SWITCH, Transfer Case Mode
	J813 4473	1					DDK, DG0		
		1					DDD		
-5	5083 138AA	1							SWITCH, Transfer Case, 5 Position
6	#56044 169AA	1	J			ED0			SWITCH, Power Steering
-7	5011 214AA	1	U						SWITCH, Blower Control
-8	#56047 020AA	1					DG0		SWITCH, Overdrive Lockout
-9	#56047 066AB	1					DBB		SWITCH, Axle Lock
		1					DG0		
-10	56027 906AB	1	J			ED0			SWITCH, Power Steering

JEEP WRANGLER (TJ)

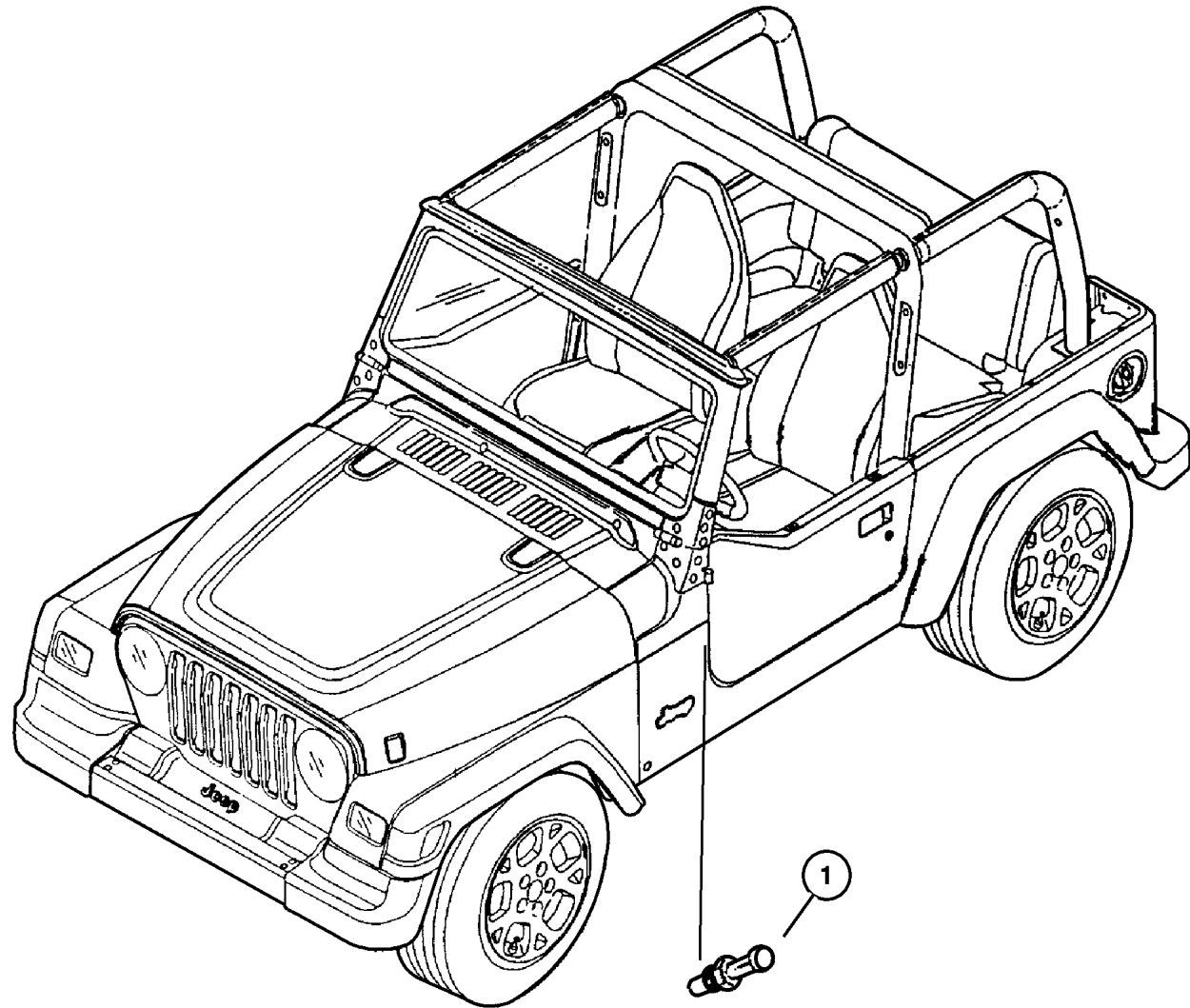
SERIES	LINE	BODY	ENGINE	TRANSMISSION
H = Sport	J = Wrangler 4WD	77 = 93.4 WB	ED1, ED0 = 2.4L DOHC	DGG, DGD = 32RH 3 Spd Auto
L = SE	U = Wrangler 4WD (RHD)		ERH = 4.0L Power Tech	DDD = 5 Speed HD Manual
M = X				DG0 = Auto. Trans.
P = Sahara				DBB = Manual Trans.
S = Rubicon				DDK = 5 Speed Manual

AR = Use as required - = Non illustrated part # = New this model year

September 29, 2003

Switches - Body  
Figure 008-815

ITEM	PART NUMBER	QTY	LINE	SERIES	BODY	ENGINE	TRANS	TRIM	DESCRIPTION
1	4687 558	2							SWITCH, Door Ajar



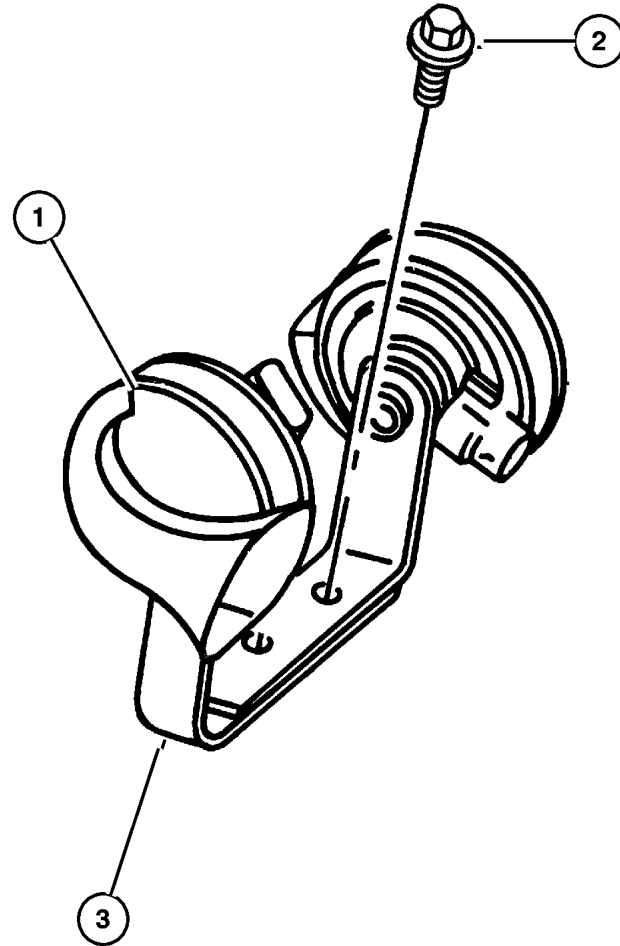
<b>JEEP WRANGLER (TJ)</b>				
SERIES	LINE	BODY	ENGINE	TRANSMISSION
H = Sport	J = Wrangler 4WD	77 = 93.4 WB	ED1, ED0 = 2.4L DOHC	DGG, DGD = 32RH 3 Spd Auto
L = SE	U = Wrangler 4WD (RHD)		ERH = 4.0L Power Tech	DDD = 5 Speed HD Manual
M = X				DG0 = Auto. Trans.
P = Sahara				DBB = Manual Trans.
S = Rubicon				DDK = 5 Speed Manual

AR = Use as required - = Non illustrated part # = New this model year

September 29, 2003

## Horns Figure 008-905

ITEM	PART NUMBER	QTY	LINE	SERIES	BODY	ENGINE	TRANS	TRIM	DESCRIPTION
1	56047 032AA	1							HORN, Low Note
2									SCREW, Tap, M8x1.25x22, (NOT SERVICED) (Not Serviced)
3									BRACKET, Horn Mounting (Serviced In Assembly Item # 1), (NOT SERVICED) (Not Serviced)



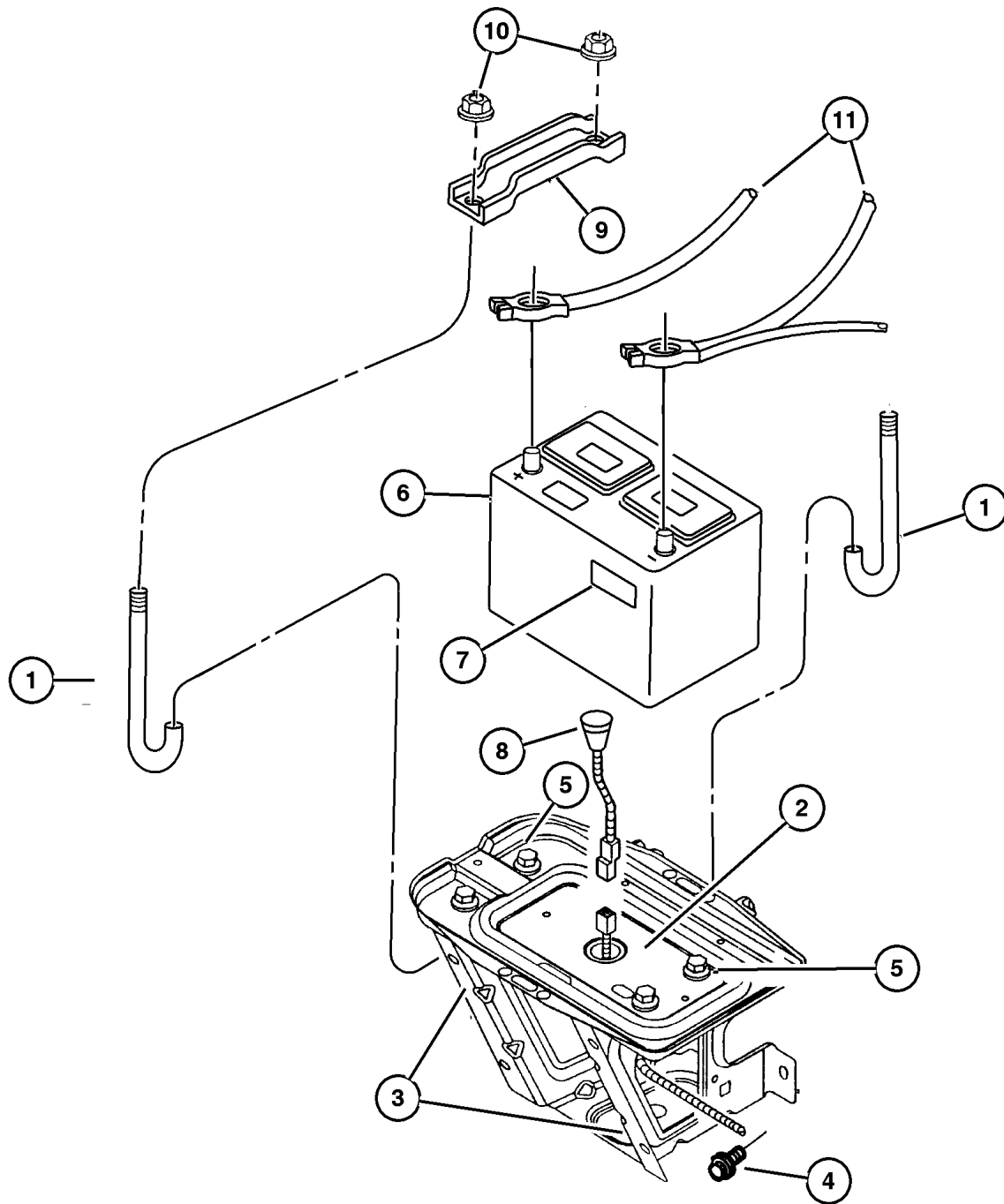
<b>JEEP WRANGLER (TJ)</b>				
SERIES	LINE	BODY	ENGINE	TRANSMISSION
H = Sport	J = Wrangler 4WD	77 = 93.4 WB	ED1, ED0 = 2.4L DOHC	DGG, DGD = 32RH 3 Spd Auto
L = SE	U = Wrangler 4WD (RHD)		ERH = 4.0L Power Tech	DDD = 5 Speed HD Manual
M = X				DG0 = Auto. Trans.
P = Sahara				DBB = Manual Trans.
S = Rubicon				DDK = 5 Speed Manual

AR = Use as required - = Non illustrated part # = New this model year

September 29, 2003

## Battery Tray & Cables Figure 008-1005

ITEM	PART NUMBER	QTY	LINE	SERIES	BODY	ENGINE	TRANS	TRIM	DESCRIPTION
Notes:									
[EP0] =2.5L Engine									
[ER0] =4.0L Engine									
1	5502 6434	2							ROD, Battery
2	55174 728AB	1							TRAY, Battery
3									REINFORCEMENT, Battery Tray
	5101 981AA	1							Without Air Condition, Left
	#55174 782AD	1							With Air Condition, Right
	#55174 783AD	1							With Air Condition, Left
	5101 980AA	1							Without Air Condition, Right
4	6100 583	4							BOLT AND CONED WASHER, Hex Head, M8x25x20
5	0180 077	1							BOLT, Hex Head, 5/16x18x3/4
6	4364 945	1				ED0, ER0			BATTERY
7									LABEL, Battery
	5604 1046	1	J						French
	4793 062	1				ED0, ER0			Eroupe
8	5602 7332	1							SENSOR, Battery Temperature
9	5501 4361	1							BRACKET, Battery Hold Down
10	6025 007	2							NUT AND WASHER, Hex, .312-18
11									WIRING, Battery
	#56044 071AE	1	J			ED0			
	#56044 073AD	1	J			ER0			
	#56044 074AE	1	U			ER0			
-12	55176 426AB	1							PROTECTOR, Wiring
-13									SCREW, .437-14x.75, (NOT SERVICED) (Not Serviced)
-14	5604 1047	1	J						LABEL, Battery Jump Start
-15	6101 808	2							NUT, Hex, M6x1, Battery Cable to PDC attaching
-16									BRACKET, Wiring Harness
	#56044 161AA	1	J			ED0			Located Near Steering Column Shaft, Left
	#56044 162AB	1				ED0			Mounted by Dash Panel, Right



### JEEP WRANGLER (TJ)

SERIES  
H = Sport  
L = SE  
M = X  
P = Sahara  
S = Rubicon

LINE  
J = Wrangler 4WD  
U = Wrangler 4WD (RHD)

BODY  
77 = 93.4 WB

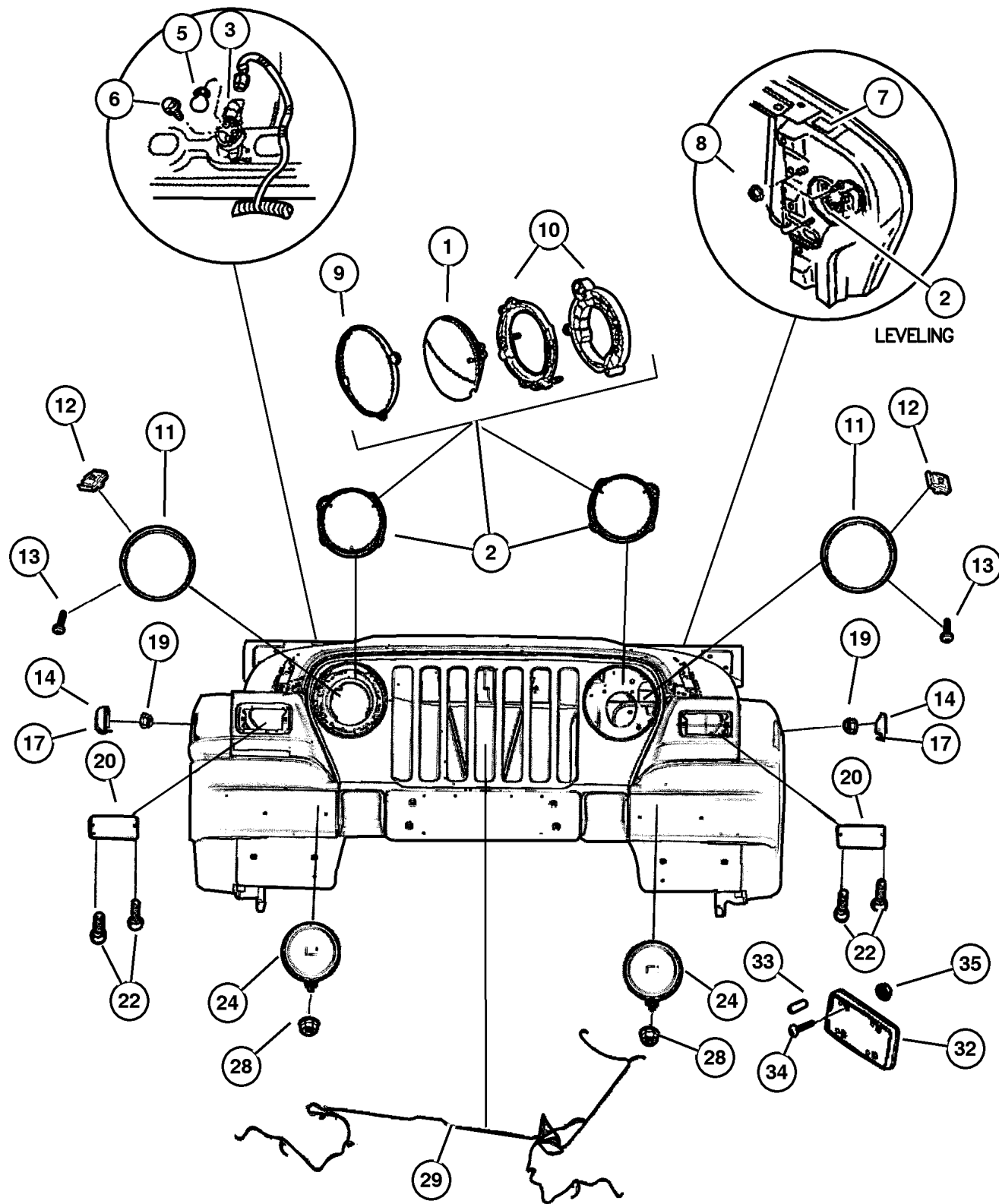
ENGINE  
ED1, ED0 = 2.4L DOHC  
ERH = 4.0L Power Tech

TRANSMISSION  
DGG, DGD = 32RH 3 Spd Auto  
DDD = 5 Speed HD Manual  
DGO = Auto. Trans.  
DBB = Manual Trans.  
DDK = 5 Speed Manual

AR = Use as required - = Non illustrated part # = New this model year

September 29, 2003

## Lamps--Front Figure 008-1105



ITEM	PART NUMBER	QTY	LINE	SERIES	BODY	ENGINE	TRANS	TRIM	DESCRIPTION
Notes:									
[EP0] = 2.5L Engine									
[ER0] = 4.0L Engine									
1	0154 905AA	1	J						BULB, H6024BL, For Use with 7' Round Headlamp (Replacement Sealed Beam Bulb)
2	55055 036AD	1	J						HEADLAMP Without Leveling (Europe), Right
	4874 380	1	U						Europe (Qty. 02)
	55055 032AD	1	J						7' Round (Complete Headlamp Assembly), Right
	55055 033AD	1	J						7' Round (Complete Headlamp Assembly), Left
	55055 037AD	1	J						Without Leveling (Europe), Left
	55055 038AD	1	U						Without Leveling (Europe), Right
	55055 039AD	1	U						Without Leveling (Europe), Left
	55055 040AD	1	J						With Leveling (Europe), Right
	55055 041AD	1	J						With Leveling (Europe), Left
	55055 250AD	1	U						With Leveling (Europe), Right
	55055 251AD	1	U						With Leveling (Europe), Left
	4874 379	1	J						Europe (Qty. 02)
3	5602 1441	1							LAMP, Underhood
-4	4897 446AA	1							LENS, Lamp Module, Underhood Lamp
5	L000 0561	1							BULB, 561, Underhood Lamp
6									SCREW, 0.190-16x.625 , (NOT SERVICED) (Not Serviced)
7	5263 188	1							LABEL, Headlamp Leveling, H/Lamp Leveling System (AUSTRALIA, SOUTH AFRICA, SOUTH KOREA, UNITED KINGDOM, UNITED KINGDOM MARKET PACKAGE)
8	6101 443	6							NUT AND WASHER, Hex, M5x.80
9	4874 378	1	J						RETAINER, Headlamp Bulb
		1	U						
10									SEAT, Headlamp, Serviced in Item 5
									Headlamp, (NOT SERVICED) (Not Serviced)
11	5505 5046	1							BEZEL, Headlamp Chrome, Right
	5505 5047	1							Chrome, Left

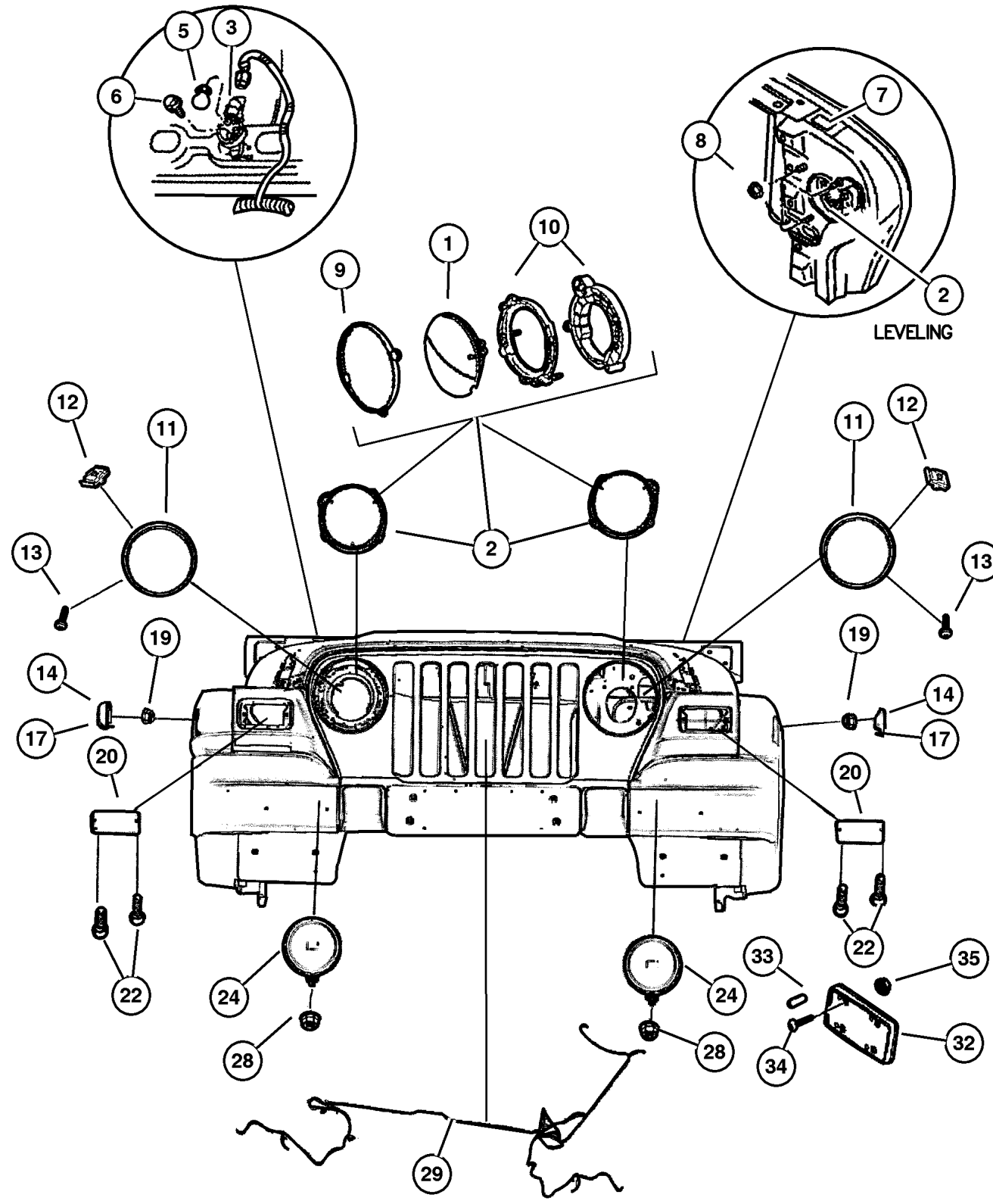
### JEEP WRANGLER (TJ)

SERIES	LINE	BODY	ENGINE	TRANSMISSION
H = Sport	J = Wrangler 4WD	77 = 93.4 WB	ED1, ED0 = 2.4L DOHC	DGG, DGD = 32RH 3 Spd Auto
L = SE	U = Wrangler 4WD (RHD)		ERH = 4.0L Power Tech	DDD = 5 Speed HD Manual
M = X				DG0 = Auto. Trans.
P = Sahara				DBB = Manual Trans.
S = Rubicon				DDK = 5 Speed Manual

AR = Use as required - = Non illustrated part # = New this model year

September 29, 2003

Lamps--Front  
Figure 008-1105



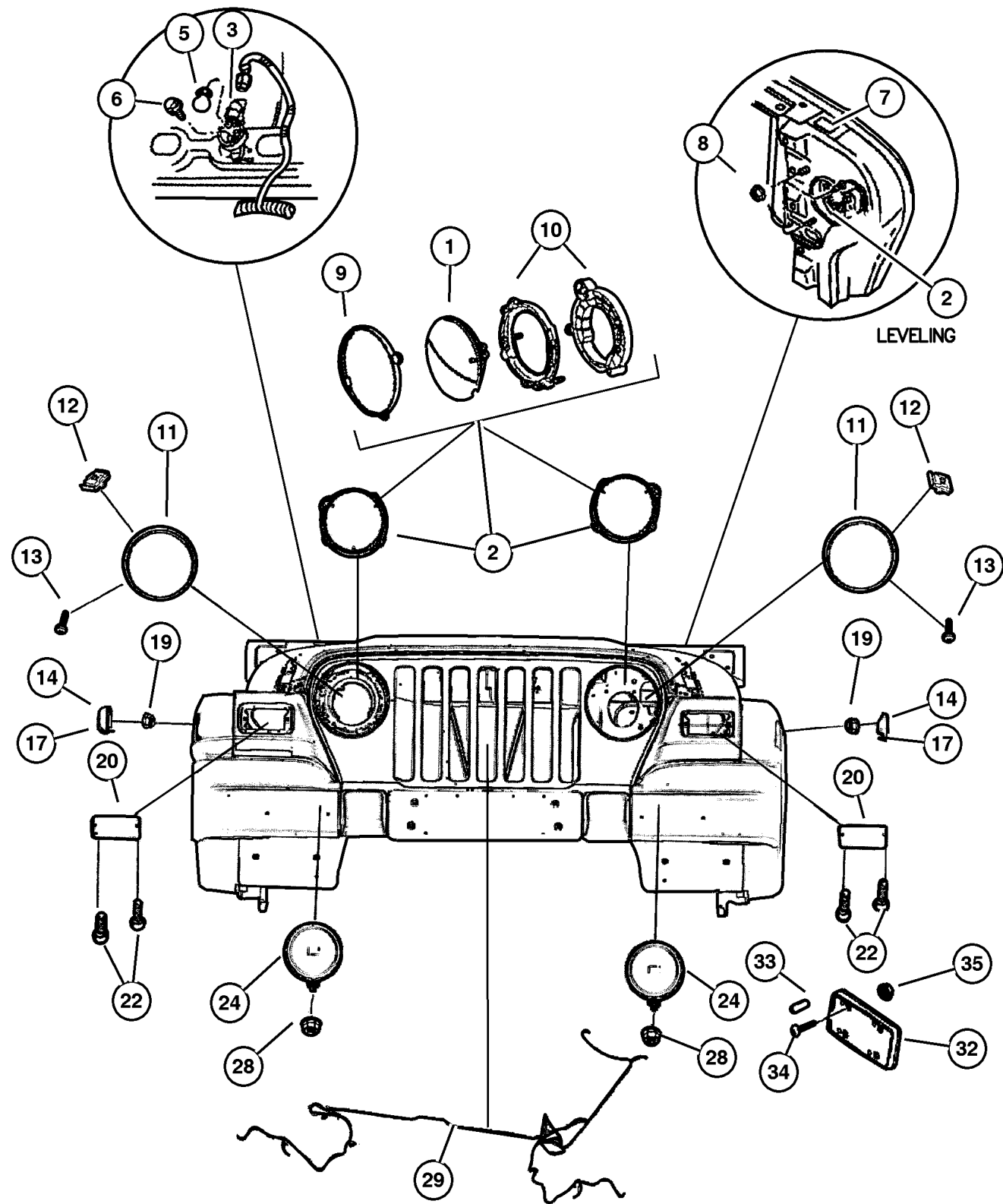
ITEM	PART NUMBER	QTY	LINE	SERIES	BODY	ENGINE	TRANS	TRIM	DESCRIPTION
12	J400 0141	4							NUT, Square, .286x.355, Right or Left
13	6035 977AA	4							SCREW, Tapping, .164-18x.625
14	55155 628AB	1							LAMP, Side Marker Right
	55155 629AB	1							Left
-15	5288 612	2							SOCKET, Side Marker
-16	4399 599	1							SEAL, Side Marker & Turn Signal
17	55155 460AB	1							LAMP, Side Repeater Right
	55155 461AB	1							Left
-18	0153 624	2							BULB, W3W, Side Repeater or Side Marker
19									NUT, (NOT SERVICED) (Not Serviced)
20	55156 489AB	1							LAMP, Park and Turn Signal Left
	55156 488AB	1							Right
-21	4399 900	1							SOCKET, Park, Turn, and Side Lamp
22	6035 977AA	4							SCREW, Tapping, .164-18x.625
-23	L000 3157	1							BULB, 3157
24	55055 095AG	2	J						LAMP, Fog
-25	L00H 355W	2	J						BULB, Fog Lamp, H-3 55 WATT
-26	#5133 150AA	1	J		77				LIGHT KIT, Off Road, Light Housing - Black Plastic with Glass Lens & MOPAR Bullet Style Pigtail For "TOMB RAIDER II"
-27	#5133 151AA	1	J		77				COVER KIT, Light, Black Cover For "TOMB RAIDER II" Light Kit
28	6101 445	2	J						NUT AND WASHER, Hex Nut-Coned Washer, M8 x 1.25
29	#56047 084AE	1	J			ED0, ER0			WIRING, Headlamp Without Foglamp
	#56047 085AE	1	J			ED0, ER0			With Foglamp
	#56047 086AG	1				ED0, ER0			With Foglamp (Export)
-30	4864 773	2	J						RETAINER, Fog Lamp Bulb
-31	4874 382	1	J						ACTUATOR, Headlamp
32	55155 764AB	1							BRACKET, License Plate, Export

JEEP WRANGLER (TJ)  
 SERIES LINE BODY ENGINE TRANSMISSION  
 H = Sport J = Wrangler 4WD 77 = 93.4 WB ED1, ED0 = 2.4L DOHC DGG, DGD = 32RH 3 Spd Auto  
 L = SE U = Wrangler 4WD (RHD) ERH = 4.0L Power Tech DDD = 5 Speed HD Manual  
 M = X DBB = Manual Trans.  
 P = Sahara DDK = 5 Speed Manual  
 S = Rubicon

AR = Use as required - = Non illustrated part # = New this model year

September 29, 2003

Lamps--Front  
Figure 008-1105



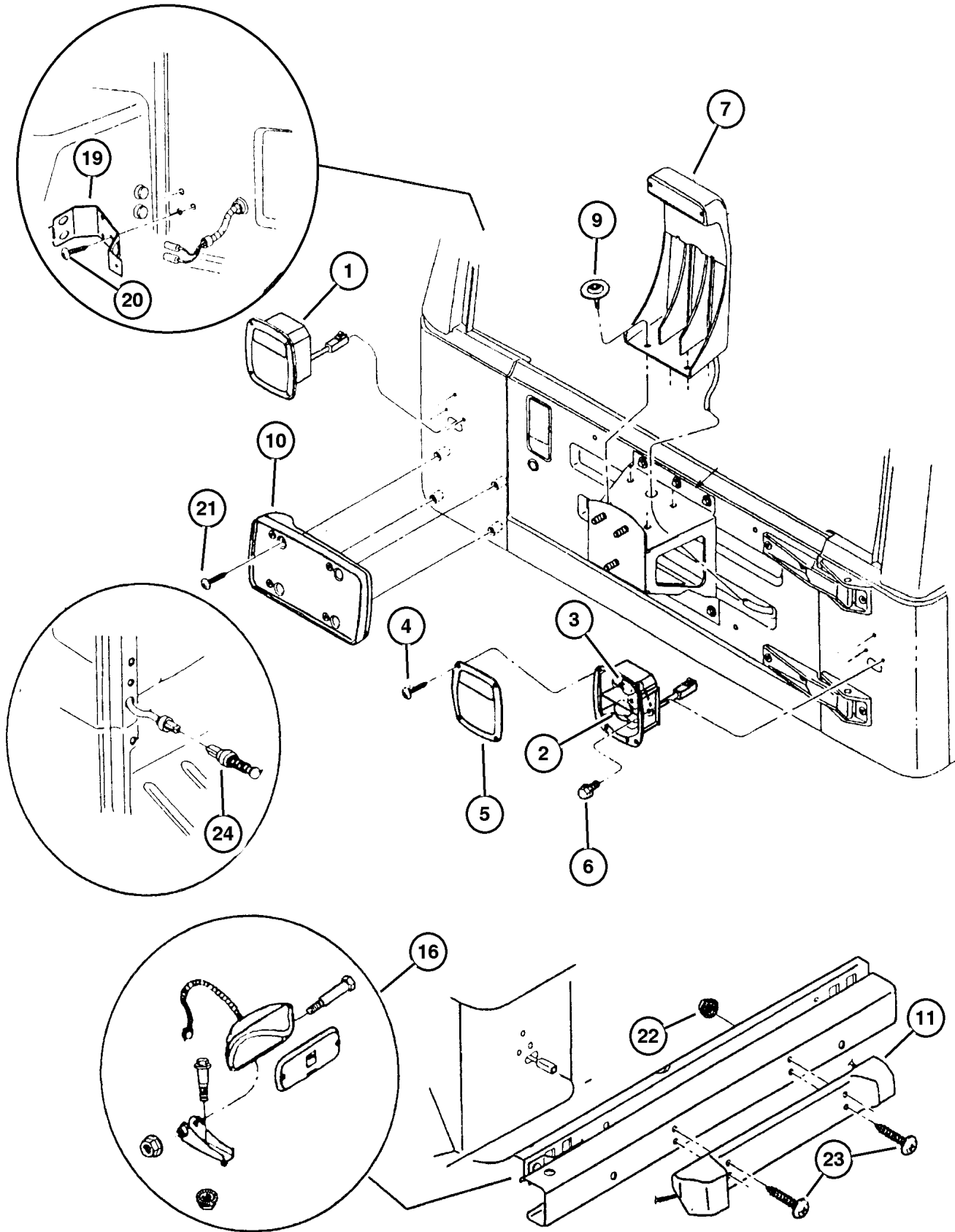
ITEM	PART NUMBER	QTY	LINE	SERIES	BODY	ENGINE	TRANS	TRIM	DESCRIPTION
33	6030 441	2	J						PIN, Retainer
34									SCREW, M6X1.00X16.00, (NOT SERVICED) (Not Serviced)
35									NUT, M6x1.00, (NOT SERVICED) (Not Serviced)
-36									CAPSULE, Headlamp Level Connector
	4874 381	1	J						Export
		1	U						Export

JEEP WRANGLER (TJ) \_\_\_\_\_  
 SERIES LINE BODY ENGINE TRANSMISSION  
 H = Sport J = Wrangler 4WD 77 = 93.4 WB ED1, ED0 = 2.4L DOHC DGG, DGD = 32RH 3 Spd Auto  
 L = SE U = Wrangler 4WD (RHD) ERH = 4.0L Power Tech DDD = 5 Speed HD Manual  
 M = X DBB = Manual Trans.  
 P = Sahara DDK = 5 Speed Manual  
 S = Rubicon

AR = Use as required - = Non illustrated part # = New this model year

September 29, 2003

Lamps--Rear  
Figure 008-1110



ITEM	PART NUMBER	QTY	LINE	SERIES	BODY	ENGINE	TRANS	TRIM	DESCRIPTION
1									LAMP, Tail Stop Turn
	55155 624AC	2							Europe
	56018 648AC	1	J						Right
	56018 649AC	1	J						Left
2	L000 2057	1	J						BULB, 2057
3	L000 1156	1	J						BULB, 1156
4									SCREW, .164-18x.625, (NOT SERVICED) (Not Serviced)
5									LENS, Taillamp
	4856 459	2							Europe
	5600 6514	1	J						
6									SCREW/WASHER, (NOT SERVICED) (Not Serviced)
7									LAMP, High Mounted Stop Without Off Road Group
	55055 280AB	1							With Off Road Group
	#55156 490AA	1							
-8	#6507 364AA	4							SCREW, CHMSL to Spare Tire Mounting Bracket Attaching
9									SCREW AND WASHER, Hex Head, .312-18x1.00, (NOT SERVICED) (Not Serviced)
10	5517 4994	1	J						BRACKET, License Plate
11	55175 106AB	1							BRACKET, LICENSE Mounting, Europe
-12	5505 5278	2							LAMP, License
-13	55155 767AB	1							BRACKET, License Lamp
-14	L002 825W5W	2							BULB, W10/5
-15	5515 5619	2							LENS, Ash Receiver Lamp
16	5505 5273	1							LAMP, Fog, Europe (Rear) Red
-17	0153 622	1							BULB, P-25-1
-18	4864 772	1							LENS, Fog Lamp
19	5600 9056	1							CLAMP, Contact Button, CHMSL Contact Button
20	0154 631	3							SCREW, Pan Head, .190-16x.5
21									SCREW, M6x1x20, (NOT SERVICED) (Not Serviced)
22									NUT, M6x1.00, (NOT SERVICED) (Not Serviced)
23									SCREW, M6X1.00X16.00, (NOT SERVICED) (Not Serviced)
24	4687 558	2							SWITCH, Door Ajar

JEEP WRANGLER (TJ)

SERIES  
H = Sport  
L = SE  
M = X  
P = Sahara  
S = Rubicon

LINE  
J = Wrangler 4WD  
U = Wrangler 4WD (RHD)

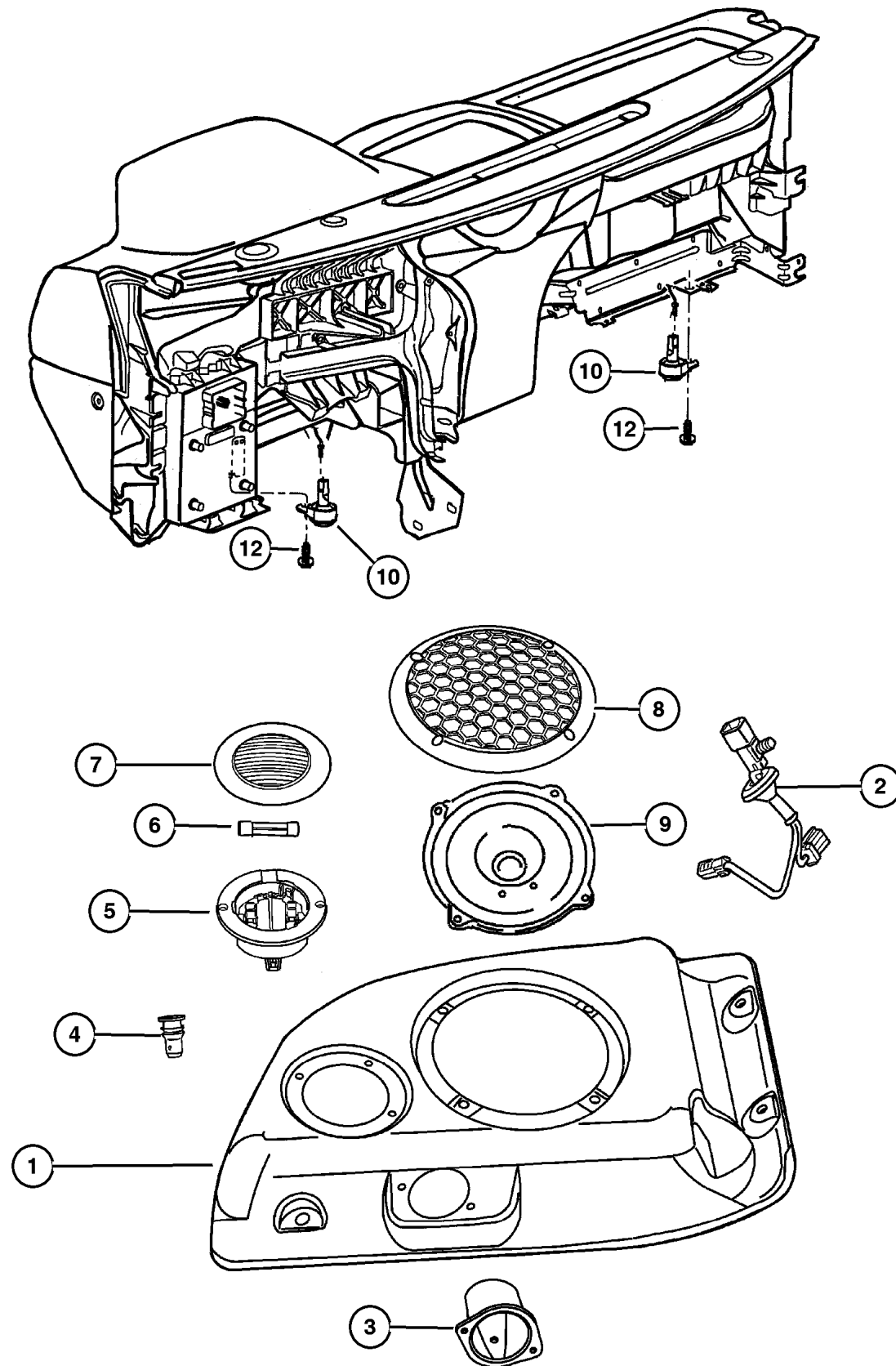
BODY  
77 = 93.4 WB

ENGINE  
ED1, ED0 = 2.4L DOHC  
ERH = 4.0L Power Tech

TRANSMISSION  
DGG, DGD = 32RH 3 Spd Auto  
DDD = 5 Speed HD Manual  
DGO = Auto. Trans.  
DBB = Manual Trans.  
DDK = 5 Speed Manual



Lamps--Cargo-Dome-Courtesy  
Figure 008-1115



ITEM	PART NUMBER	QTY	LINE	SERIES	BODY	ENGINE	TRANS	TRIM	DESCRIPTION
1									HOUSING, Speaker
	#5HU99 DX9AC	1							Black (Speaker Grille, Lamp, Lens & Wiring Included), Left
	#5HU98 DX9AC	1							Black (Speaker Grille, Lamp, Lens & Wiring Included), Right
2	#56047 121AC	1							WIRING, Speaker - Rear
3									CUP, Wire Cup (Serviced with Speaker Housing) , (NOT SERVICED) (Not Serviced)
4	#5093 022AA	1							SLEEVE, Isolator
5	#56047 114AA	1							LAMP, Dome, Serviced with Bulb
6	L002 1102	1							BULB, 211-2
7	#56047 115AA	1							LENS, Dome Lamp
8	#5086 805AA	1							GRILLE, Speaker
9	#56038 566AE	1							SPEAKER, Rear
10	56042 559AA	1							LAMP, Courtesy
-11	L000 0906	1							BULB, 906
12	6034 949	1							SCREW

JEEP WRANGLER (TJ)

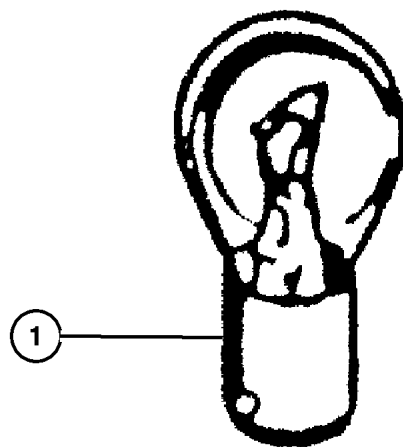
SERIES	LINE	BODY	ENGINE	TRANSMISSION
H = Sport	J = Wrangler 4WD	77 = 93.4 WB	ED1, ED0 = 2.4L DOHC	DGG, DGD = 32RH 3 Spd Auto
L = SE	U = Wrangler 4WD (RHD)		ERH = 4.0L Power Tech	DDD = 5 Speed HD Manual
M = X				DG0 = Auto. Trans.
P = Sahara				DBB = Manual Trans.
S = Rubicon				DDK = 5 Speed Manual

AR = Use as required - = Non illustrated part # = New this model year

September 29, 2003

**Bulbs & Sockets**  
**Figure 008-1120**

ITEM	PART NUMBER	QTY	LINE	SERIES	BODY	ENGINE	TRANS	TRIM	DESCRIPTION
Notes:									
[DG0] = All Automatic Transmission									
1	L00H 460W	1	U						BULB, Headlamp Halogen [ECE]
		1	J						Halogen [ECE]
-2	L000 921E	1							BULB, 921
-3	L000 3157	1							BULB, 3157
-4	L000 0658	1					DG0		BULB, 658, PRNDL Cover
-5									BULB AND SOCKET
	4874 122AB	1					DBB		Switch Illuminator
		1					DG0		Switch Illuminator
	4874 123	1					DBB		Switch on Indicator
		1					DG0		Switch on Indicator
-6	5013 829AA	1	U						BULB, Heater and A/C Control
-7	4874 349	5							BULB AND SOCKET
-8	L000 0194	1	J						BULB, 194
-9	L000 0906	1							BULB, 906
-10	L000 7528	2							BULB, P-25-2
-11									BULB, T8/4
	L000 3893	1	J						
		1	U						



**JEEP WRANGLER (TJ)**

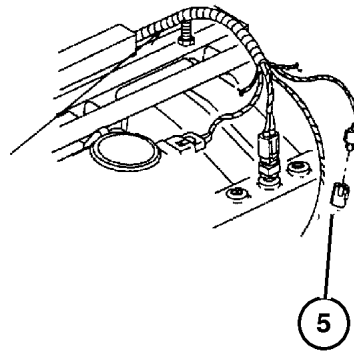
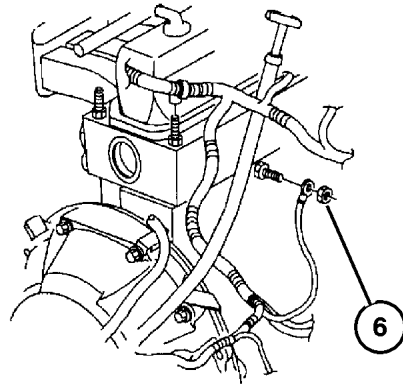
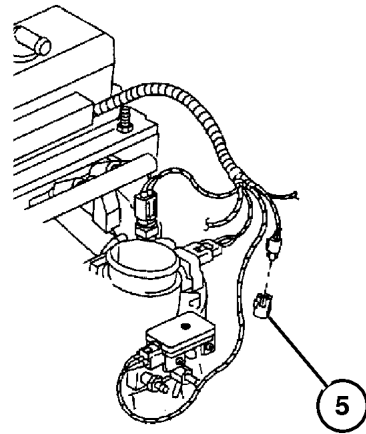
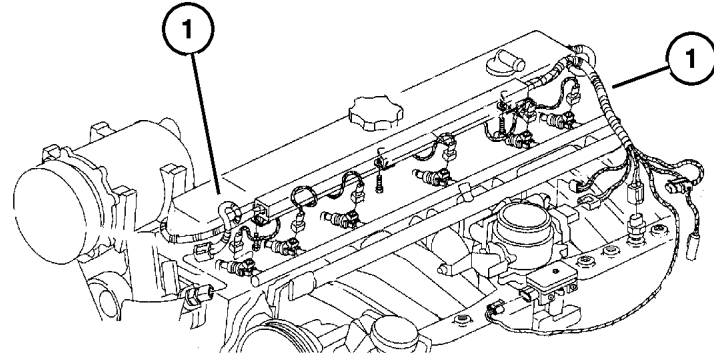
SERIES	LINE	BODY	ENGINE	TRANSMISSION
H = Sport	J = Wrangler 4WD	77 = 93.4 WB	ED1, ED0 = 2.4L DOHC	DGG, DGD = 32RH 3 Spd Auto
L = SE	U = Wrangler 4WD (RHD)		ERH = 4.0L Power Tech	DDD = 5 Speed HD Manual
M = X				DG0 = Auto. Trans.
P = Sahara				DBB = Manual Trans.
S = Rubicon				DDK = 5 Speed Manual

AR = Use as required - = Non illustrated part # = New this model year

September 29, 2003

**Wiring--Engine & Related Parts  
Figure 008-1205**

ITEM	PART NUMBER	QTY	LINE	SERIES	BODY	ENGINE	TRANS	TRIM	DESCRIPTION
Notes:									
[EP0] =2.5L Engine									
[ER0] =4.0L Engine									
[DG0]=Automatic Transmission									
[DBB]= Manual Transmission									
1									WIRING, Engine
	#56041 881AF	1	J			ED0	DG0		
	#56041 982AF	1	U			ER0	DG0		With Export Emission & with Japan Low Emission Vehicle
	#56041 983AF	1	J			ER0	DDD		With ABS (Export Emission)
	#56041 984AF	1	J			ER0	DG0		With ABS (Export Emission)
	#56041 985AF	1	J			ER0	DDD		With ABS & without Off Road Group (U.S. 50 State Emission)
	#56041 986AF	1	J			ER0	DG0		With ABS & without Off Road Group (U.S. 50 State Emission)
	#56044 123AF	1	J			ER0	DDD		With Off Road Group
	#56044 124AF	1	J			ER0	DG0		With Off Road Group
	#56041 975AF	1	J			ER0	DDD		With 4 Wheel Disc or without ABS (Export Emission)
	#56041 976AF	1	J			ER0	DG0		With 4 Wheel Disc or without ABS (Export Emission)
	#56041 977AF	1	J			ER0	DDD		With 4 Wheel Disc or without ABS & without Off Road Group (U.S. 50 State Emission)
	#56041 883AE	1	J			ED0	DD0		
	#56041 978AF	1	J			ER0	DG0		With 4 Wheel Disc or without ABS & without Off Road Group (U.S. 50 State Emission)
	#56041 984AD	1	J			ER0	DG6		With ABS (Export Emission)
	#56041 986AD	1	J			ER0	DG6		With ABS & without Off Road Group (U.S. 50 State Emission)
	#56044 124AD	1	J			ER0	DG6		With Off Road Group
	#56044 401AA	1				ED0			
	#56041 979AF	1	U			ER0	DDD		With Export Emission & without Japan Low Emission Vehicle
	#56041 980AF	1	U			ER0	DG0		With Export Emission & without Japan Low Emission Vehicle
	#56041 981AF	1	U			ER0	DBB		With Export Emission & with Japan Low Emission Vehicle
2	5300 8550	1				ER0			CLIP
-3	4641 780	1							STRAP, Tie, Oxygen Sensor Wiring
-4	5600 9433	2							CAP, Screw Cover



**JEEP WRANGLER (TJ)**

SERIES  
H = Sport  
L = SE  
M = X  
P = Sahara  
S = Rubicon

LINE  
J = Wrangler 4WD  
U = Wrangler 4WD (RHD)

BODY  
77 = 93.4 WB

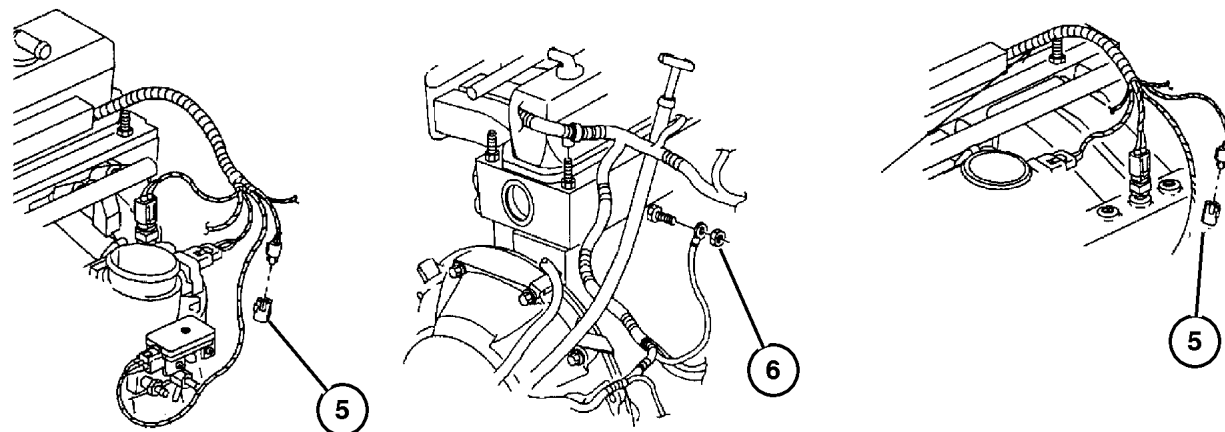
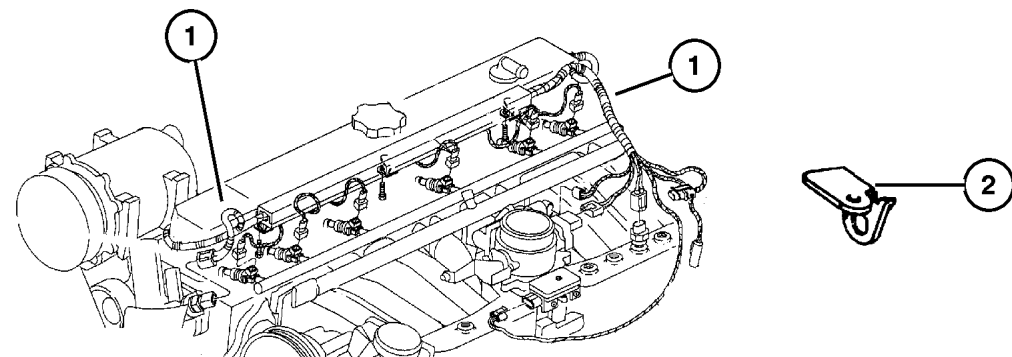
ENGINE  
ED1, ED0 = 2.4L DOHC  
ERH = 4.0L Power Tech

TRANSMISSION  
DGG, DGD = 32RH 3 Spd Auto  
DDD = 5 Speed HD Manual  
DG0 = Auto. Trans.  
DBB = Manual Trans.  
DDK = 5 Speed Manual

AR = Use as required - = Non illustrated part # = New this model year

September 29, 2003

**Wiring--Engine & Related Parts**  
**Figure 008-1205**



ITEM	PART NUMBER	QTY	LINE	SERIES	BODY	ENGINE	TRANS	TRIM	DESCRIPTION
5									PLUG, Oxygen Sensor, (NOT REQUIRED)
6									NUT AND WASHER, .312-18, (NOT SERVICED) (Not Serviced)
-7	#52109 568AA	1							WIRING, Leak Detection Pump
-8	#55176 744AD	1							BRACKET, Engine Wiring
-9	56041 379AA	1				ER0	DBB		CLIP, Housing, Injector Wiring
-10	#56044 161AA	1	J			ED0			BRACKET, Wiring Harness Located Near Steering Column
	#56044 162AB	1				ED0			Shaft, Left Mounted by Dash Panel, Right
-11	4794 703AB	1							CONNECTOR, Wiring, Vapor Canister

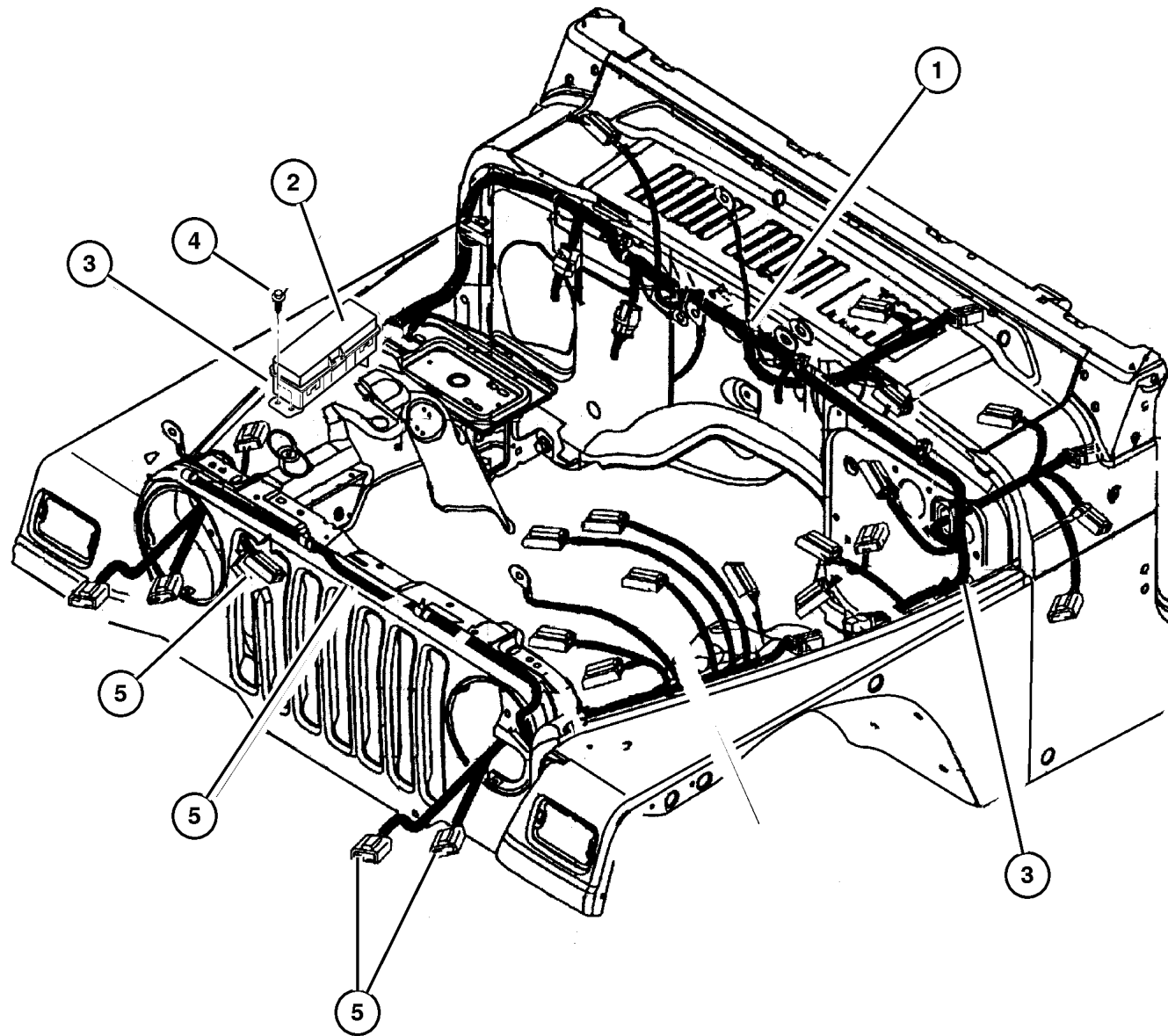
**JEEP WRANGLER (TJ)**

SERIES	LINE	BODY	ENGINE	TRANSMISSION
H = Sport	J = Wrangler 4WD	77 = 93.4 WB	ED1, ED0 = 2.4L DOHC	DGG, DGD = 32RH 3 Spd Auto
L = SE	U = Wrangler 4WD (RHD)		ERH = 4.0L Power Tech	DDD = 5 Speed HD Manual
M = X				DG0 = Auto. Trans.
P = Sahara				DBB = Manual Trans.
S = Rubicon				DDK = 5 Speed Manual

AR = Use as required - = Non illustrated part # = New this model year

September 29, 2003

**Wiring--Headlamp / Dash Panel**  
**Figure 008-1305**



ITEM	PART NUMBER	QTY	LINE	SERIES	BODY	ENGINE	TRANS	TRIM	DESCRIPTION
Notes: EP0=2.5L Engine ER0=4.0L Engine									
1	#56047 076AE	1	J			ER0	DG0		WIRING, Dash Panel With 4 Wheel Disc or without ABS, without Daytime Running Lamps, Speed Control & without Trulox Differential (U.S. 50 State / Export Emissions)
	#56047 082AG	1	U			ER0			With 4 Wheel Disc, or without ABS, with Speed Control, without Daytime Running Lamps & with or without Trulox Differential (U.S. 50 State / Export Emissions)
	#56048 085AD	1	J			ER0	DBB		
	#56048 120AG	1	J			ED0	DG0		With Power Front & Rear Drum Brake, Daytime Running Lamps, without Air Conditioning & with or without Trulox Differential, Daytime Running Lamps (U.S. 50 State / Export Emissions)
	#56048 122AF	1	J			ED0			With Power Front & Rear Drum Brake, Daytime Running Lamps, without Air Conditioning & without Trulox Differential
	#56047 077AE	1	J			ER0			With ABS & without Daytime Running Lamps
	#56047 079AE	1	J			ER0			With 4 Wheel Disc , Trulox Differential & without Daytime Running Lamps
	#56047 080AE	1	J			ER0	DG0		With 4 Wheel Disc or without ABS, with Daytime Running Lamps & without Trulox Differential
	#56047 081AE	1	J			ER0			With ABS & Daytime Running Lamps
	#56047 117AE	1				ER0			With 4 Wheel Disc , Trulox Differential & with Daytime Running Lamps

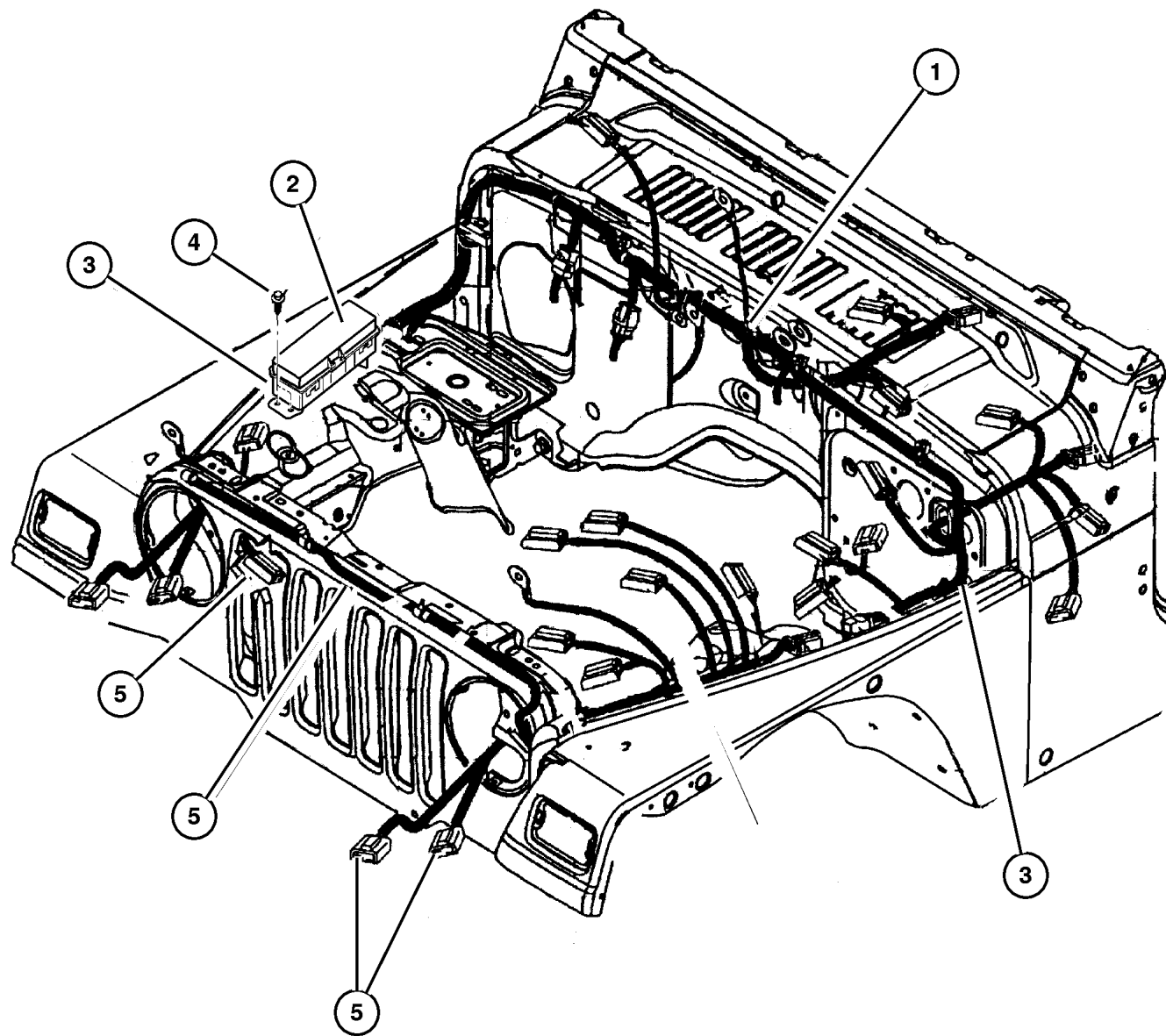
**JEEP WRANGLER (TJ)**

SERIES	LINE	BODY	ENGINE	TRANSMISSION
H = Sport	J = Wrangler 4WD	77 = 93.4 WB	ED1, ED0 = 2.4L DOHC	DGG, DGD = 32RH 3 Spd Auto
L = SE	U = Wrangler 4WD (RHD)		ERH = 4.0L Power Tech	DDD = 5 Speed HD Manual
M = X				DG0 = Auto. Trans.
P = Sahara				DBB = Manual Trans.
S = Rubicon				DDK = 5 Speed Manual

AR = Use as required - = Non illustrated part # = New this model year

September 29, 2003

**Wiring--Headlamp / Dash Panel**  
**Figure 008-1305**



ITEM	PART NUMBER	QTY	LINE	SERIES	BODY	ENGINE	TRANS	TRIM	DESCRIPTION
	#56047 118AE	1	J			ER0	DG0		With 4 Wheel Disc, or without ABS, with Speed Control, without Daytime Running Lamps & with or without Trulox Differential (U.S. 50 State / Export Emissions)
	#56048 083AB	1	J			ER0	DBB		With 4 Wheel Disc, or without ABS, with or without Speed Control, Daytime Running Lamps & with or without Trulox Differential (U.S. 50 State / Export Emissions)
	#56048 084AB	1	J			ER0	DBB		With 4 Wheel Disc, or without ABS, with Daytime Running Lamps & without Trulox Differential
2	#5096 146AA	AR							COVER, Power Distribution Center Top
	56047 000AA	1							Bottom
3	56010 210AB	1							BRACKET, Power Distribution Center
4									SCREW, M6.3x1.81x20, Tapping (M6.3x1.81x20.00) Not Serv., (NOT SERVICED) (Not Serviced)
5									WIRING, Headlamp
	#56047 084AE	1	J			ED0, ER0			Without Foglamp
	#56047 085AE	1	J			ED0, ER0			With Foglamp
	#56047 086AG	1				ED0, ER0			Europe
-6	56009 901AA	1	U						BRACKET, Wiring Harness Battery & Engine
	#56047 128AA	1	J						Side Cowl
	#56047 127AB	1	U						Side Cowl

**JEEP WRANGLER (TJ)**

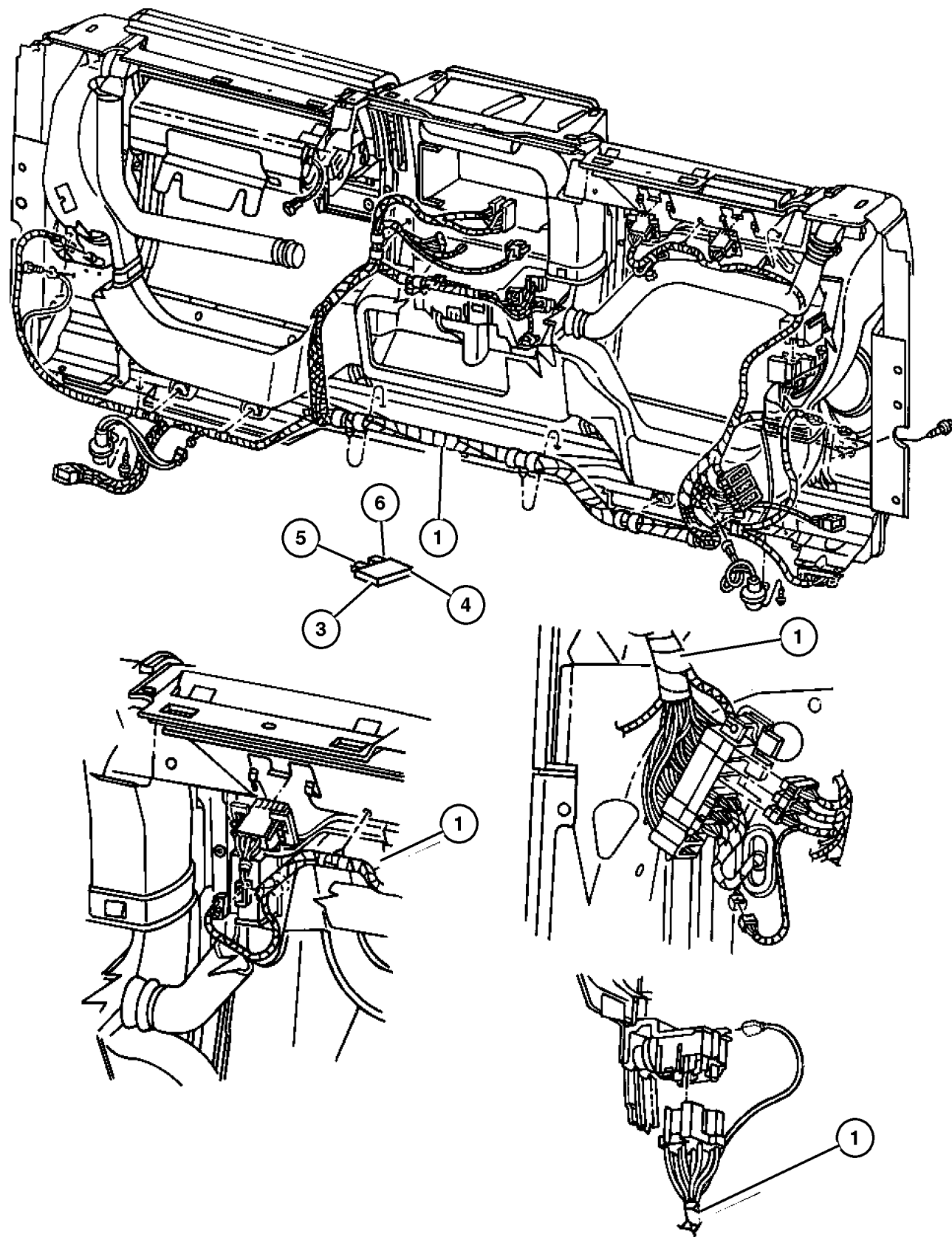
<b>SERIES</b>	<b>LINE</b>	<b>BODY</b>	<b>ENGINE</b>	<b>TRANSMISSION</b>
H = Sport	J = Wrangler 4WD	77 = 93.4 WB	ED1, ED0 = 2.4L DOHC	DGG, DGD = 32RH 3 Spd Auto
L = SE	U = Wrangler 4WD (RHD)		ERH = 4.0L Power Tech	DDD = 5 Speed HD Manual
M = X				DG0 = Auto. Trans.
P = Sahara				DBB = Manual Trans.
S = Rubicon				DDK = 5 Speed Manual

AR = Use as required - = Non illustrated part # = New this model year

September 29, 2003

## Wiring Instrument Panel & Fuses Figure 008-1405

ITEM	PART NUMBER	QTY	LINE	SERIES	BODY	ENGINE	TRANS	TRIM	DESCRIPTION
Notes:									
[DG0]=All Automatic Transmissions									
1									WIRING, Instrument Panel
	#56047 107AE	1	J						Soft Top without Trulok Differential
	#56047 108AE	1	J						Hard Top without Trulok Differential
	#56047 111AE	1	J						Soft Top with Trulok Differential
	#56047 112AE	1	J						Hard Top with Trulok Differential
	#56047 225AA	1	J						Without Trulok Differential (Export)
	#56047 109AF	1	J						Export
	#56047 110AF	1	U						Export
	#56050 328AA	1							With Trulok Differential
	#56050 501AA	1							RHD Rual Letter Carrier
-2	#56009 391AL	1							LABEL, Fuse Block
3	6102 077AA	1							FUSE CARTRIDGE, 40 Amp
4	00AT M10	2							FUSE, Mini, 10 AMP, Red
5	00AT M20	1					DG0		FUSE, Mini, 20 AMP, Yellow
6	6102 077AA	1							FUSE CARTRIDGE, 40 Amp
-7	4607 084AB	1							FLASHER
-8	56009 654AB	1							COVER, Wiring Protector
-9	6101 757	2					DG0		FUSIBLE LINK



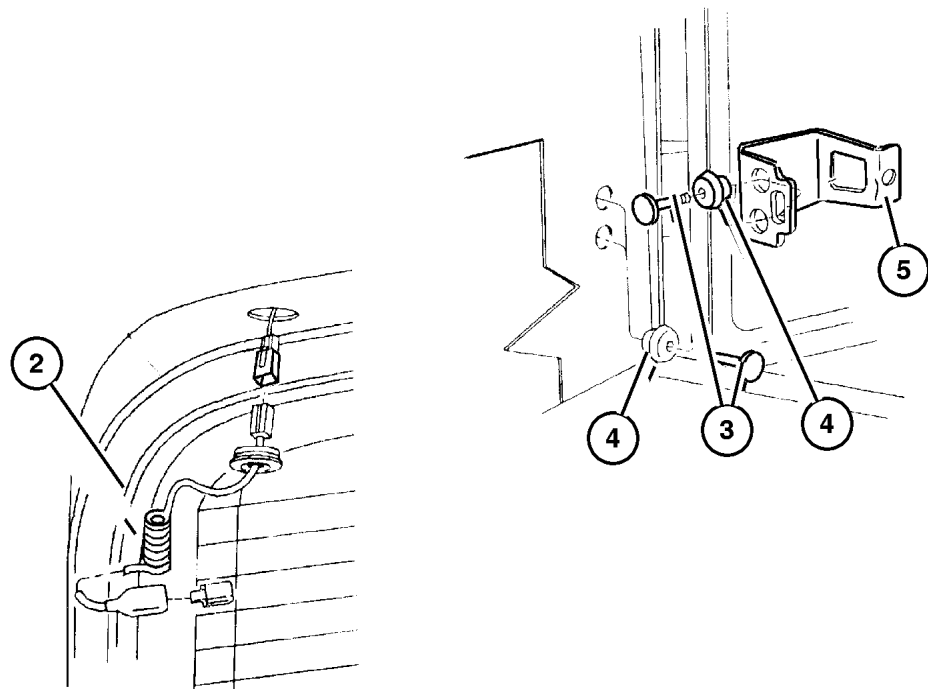
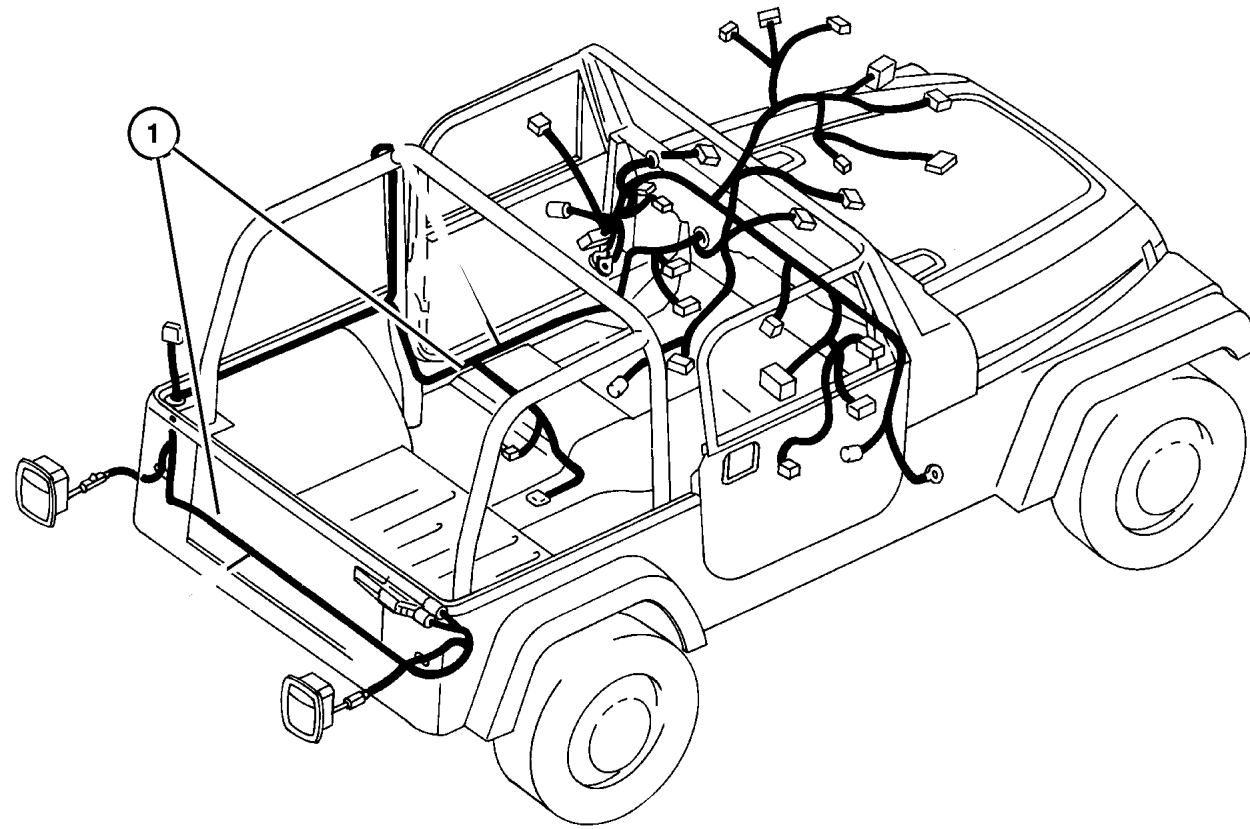
### JEEP WRANGLER (TJ)

SERIES	LINE	BODY	ENGINE	TRANSMISSION
H = Sport	J = Wrangler 4WD	77 = 93.4 WB	ED1, ED0 = 2.4L DOHC	DGG, DGD = 32RH 3 Spd Auto
L = SE	U = Wrangler 4WD (RHD)		ERH = 4.0L Power Tech	DDD = 5 Speed HD Manual
M = X				DG0 = Auto. Trans.
P = Sahara				DBB = Manual Trans.
S = Rubicon				DDK = 5 Speed Manual

AR = Use as required - = Non illustrated part # = New this model year

September 29, 2003

**Wiring--Body & Accessory**  
**Figure 008-1505**



ITEM	PART NUMBER	QTY	LINE	SERIES	BODY	ENGINE	TRANS	TRIM	DESCRIPTION
Notes:									
[EP0]=2.5L Engine									
[ER0]=4.0L Engine									
1									WIRING, Body
	#56047 131AE	1	J						Soft Top, without 7 Speakers (Including Subwoofer), Airbag on/off Switch & without Dual Top Group with Matching Color
	#56050 500AB	1							RHD (Rual Letter Carrier)
	#56047 139AD	1	U						Soft Top, without 7 Speakers (Including Subwoofer) & without Dual Top Group with Matching Color
	#56047 140AD	1	U						Soft Top, with 7 Speakers (Including Subwoofer) & without Dual Top Group with Matching Color
	#56047 141AD	1	U						Hard Top, without 7 Speakers (Including Subwoofer)
	#56047 142AD	1	U						Hard Top, with 7 Speakers (Including Subwoofer)
	#56047 132AE	1	J						Soft Top, with 7 Speakers (Including Subwoofer), without Airbag on/off Switch & without Dual Top Group with Matching Color
	#56047 133AE	1	J						Hard Top, without 7 Speakers (Including Subwoofer) & without Airbag on/off Switch
	#56047 134AE	1	J						Hard Top, with 7 Speakers (Including Subwoofer) & without Airbag on/off Switch
	#56047 135AE	1	J						Soft Top, without 7 Speakers (Including Subwoofer) & without Dual Top Group with Matching Color
	#56047 136AE	1	J						Soft Top, with 7 Speakers (Including Subwoofer) & without Dual Top Group with Matching Color
	#56047 137AE	1	J						Hard Top, without 7 Speakers (Including Subwoofer)

**JEEP WRANGLER (TJ)**

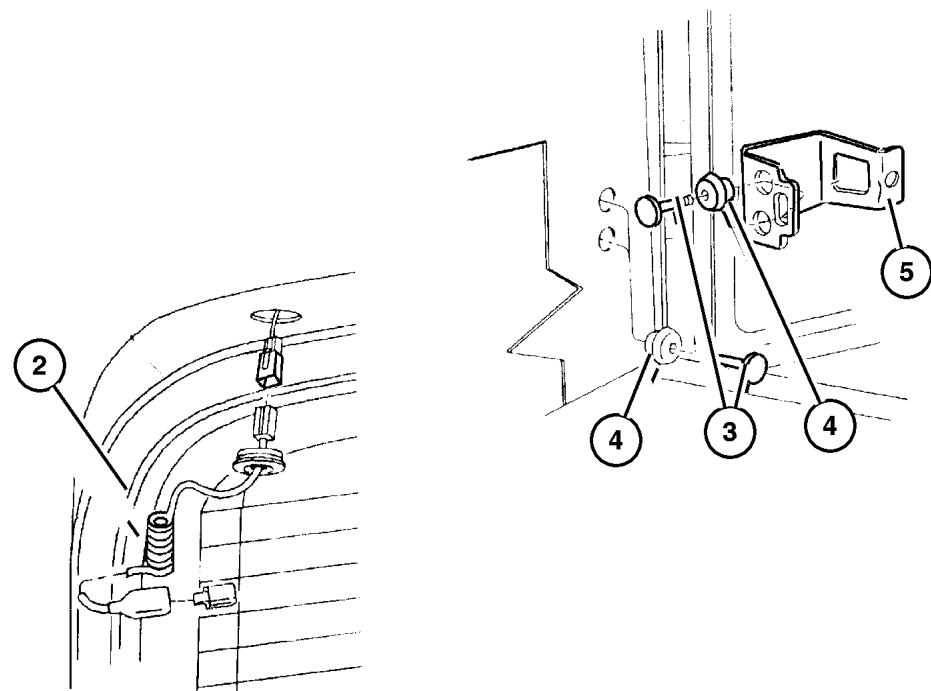
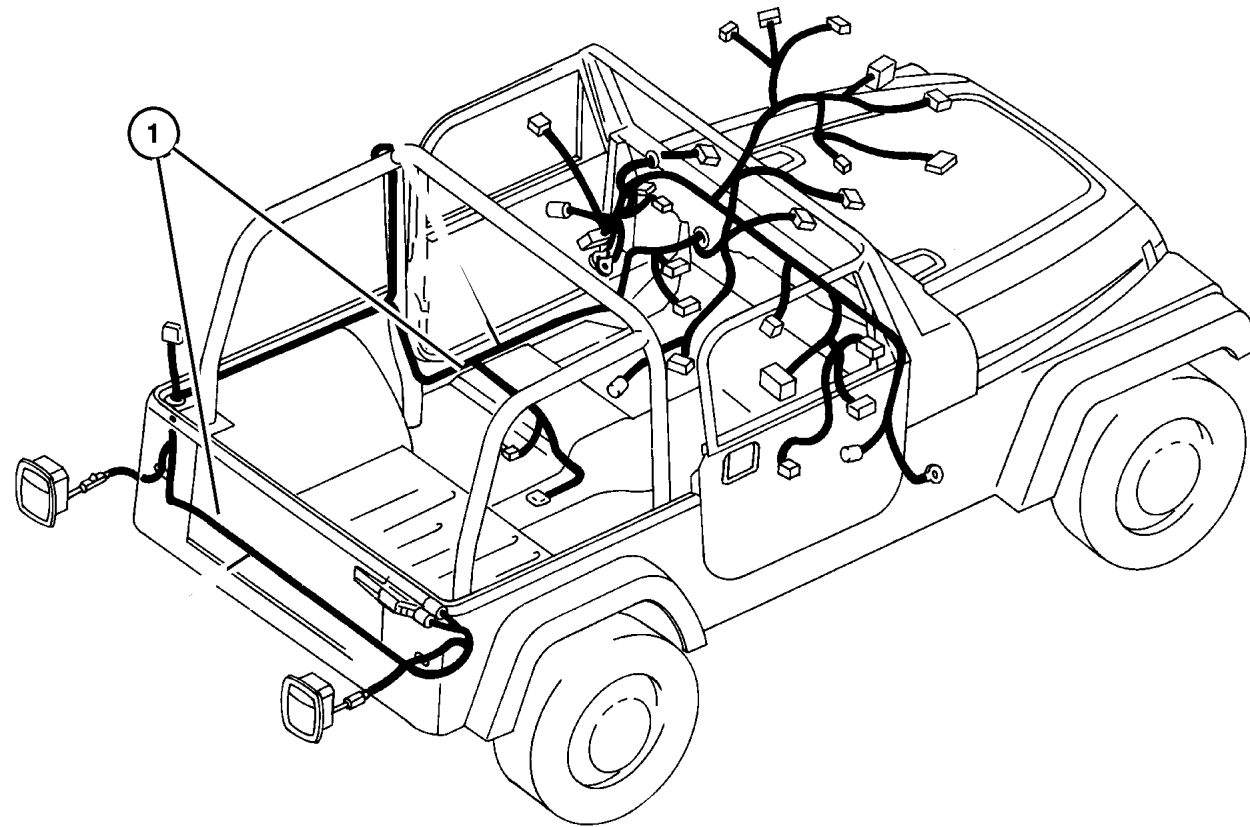
<b>SERIES</b>	<b>LINE</b>	<b>BODY</b>	<b>ENGINE</b>	<b>TRANSMISSION</b>
H = Sport	J = Wrangler 4WD	77 = 93.4 WB	ED1, ED0 = 2.4L DOHC	DGG, DGD = 32RH 3 Spd Auto
L = SE	U = Wrangler 4WD (RHD)		ERH = 4.0L Power Tech	DDD = 5 Speed HD Manual
M = X				DG0 = Auto. Trans.
P = Sahara				DBB = Manual Trans.
S = Rubicon				DDK = 5 Speed Manual

AR = Use as required - = Non illustrated part # = New this model year

September 29, 2003



**Wiring--Body & Accessory**  
**Figure 008-1505**



ITEM	PART NUMBER	QTY	LINE	SERIES	BODY	ENGINE	TRANS	TRIM	DESCRIPTION
	#56047 138AE	1	J						Hard Top, with 7 Speakers (Including Subwoofer)
	#56047 173AE	1	J						With Airbag on/off Switch
2	56009 120AC	2							WIRING, Electric Back Light
3	4362 012	4							TERMINAL, CHMSL Contact Button
4	6031 562	2							GROMMET, Sliding Door
5	56009 901AA	1	U						BRACKET, Wiring Harness Battery & Engine
	#56047 128AA	1	J						
	#56047 127AB	1	U						
-6	55352 706AA	1							COVER, Wiring Protector
-7	5600 9085	1							WIRING, Rear Bumper
-8	0154 628	1							SCREW, Tapping, .164-18x.625, Rear Body Harness Attaching
-9	#56009 377AD	1							WIRING, Hardtop
-10	4874 085	1	U						WIRING, Air Conditioning Module
-11	56009 333AB	3							CLIP, Wire Attaching (Clip)
-12	56009 338AB	3							RIVET
-13	#52109 568AA	1							WIRING, Leak Detection Pump
-14	#56047 087AC	1							WIRING, Mirror Jumper
-15	5600 9437	1							WIRING, Steering Wheel
-16	6503 071	4							CLIP, Line&Hose, Rear Wiper Harness
-17	#5271 299AA	1	J						WIRING, Radio Jumper
-18	6505 192AA	2							PLUG, Wire Harness Holes at Rear Bumper
-19	5517 6190	1							COVER, Wiring Protector, Plate Hard Top Disconnect

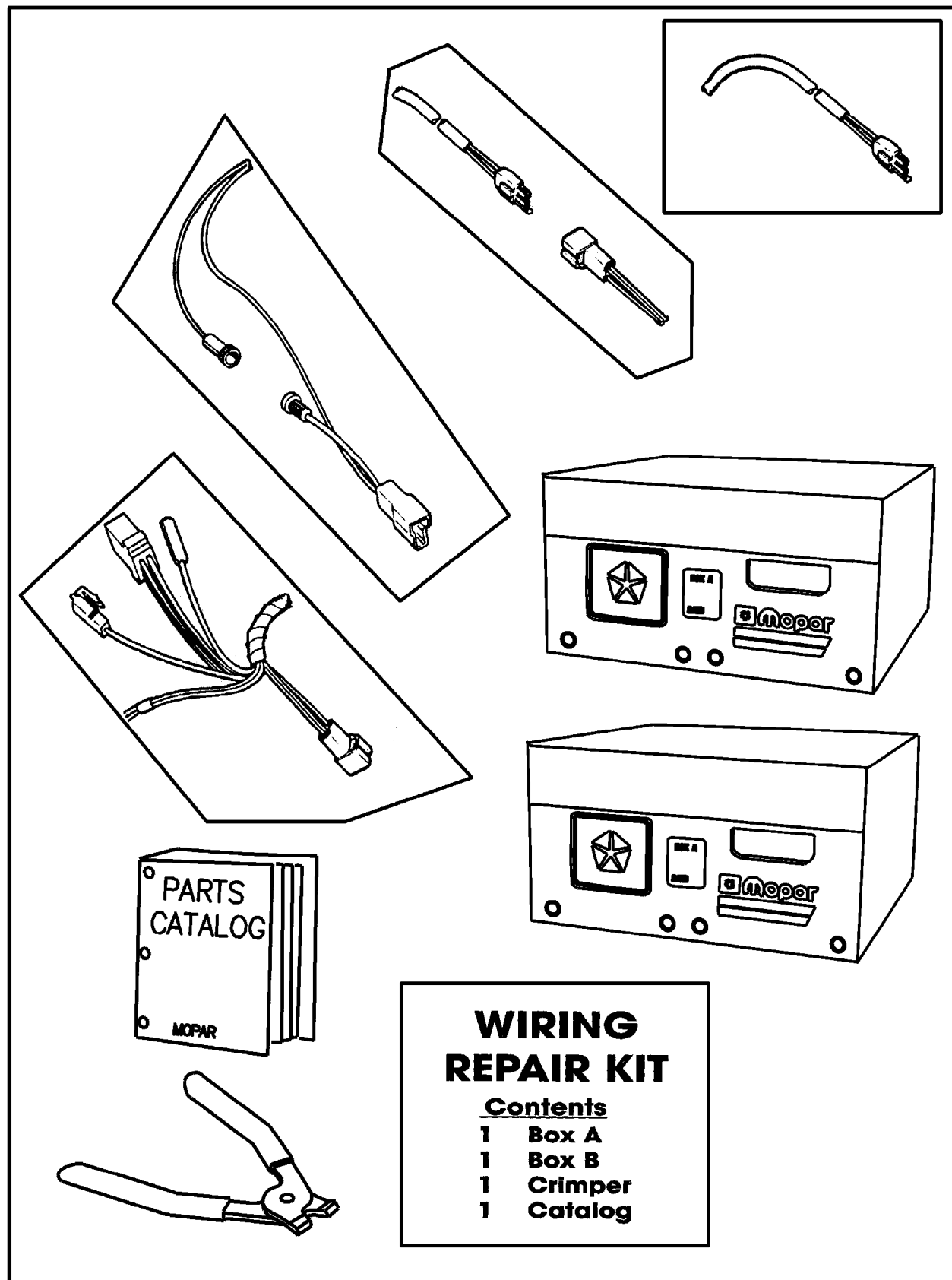
**JEEP WRANGLER (TJ)**

SERIES	LINE	BODY	ENGINE	TRANSMISSION
H = Sport	J = Wrangler 4WD	77 = 93.4 WB	ED1, ED0 = 2.4L DOHC	DGG, DGD = 32RH 3 Spd Auto
L = SE	U = Wrangler 4WD (RHD)		ERH = 4.0L Power Tech	DDD = 5 Speed HD Manual
M = X				DG0 = Auto. Trans.
P = Sahara				DBB = Manual Trans.
S = Rubicon				DDK = 5 Speed Manual

AR = Use as required - = Non illustrated part # = New this model year

September 29, 2003

**Wiring Repair Packages**  
**Figure 008-1605**



1

ITEM	PART NUMBER	QTY	LINE	SERIES	BODY	ENGINE	TRANS	TRIM	DESCRIPTION
1									WIRING PACKAGE, Underhood Connector Repair
	5013 930AD	1							Upgrade
	5083 235AA	1							Upgrade
-2	5014 757AD	1							MANUAL, Connector Repair
-3	5019 912AA	1							TOOL, Crimping
-4									WIRING KIT, Electric Repair
	5073 029AA	1							With Tool
	5080 522AA	1							Without Tool
-5	5600 7554	2							TERMINAL, Female, License Lamp
-6	5083 221AA	1							WIRING KIT, 22 Way, Female, Radio Repair
-7	4794 703AB	1							CONNECTOR, Wiring, Trans Solenoid

**JEEP WRANGLER (TJ)**

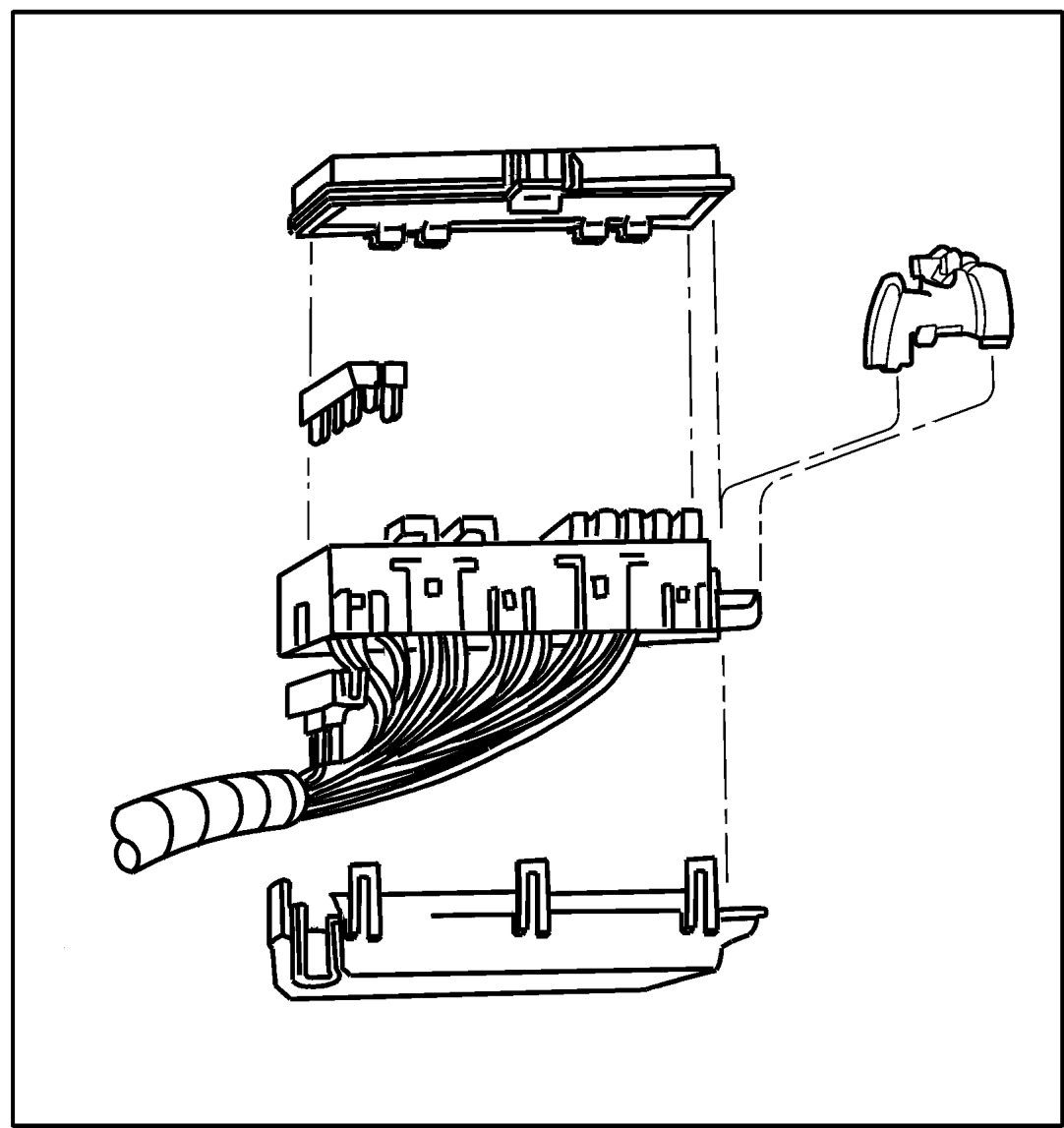
SERIES	LINE	BODY	ENGINE	TRANSMISSION
H = Sport	J = Wrangler 4WD	77 = 93.4 WB	ED1, ED0 = 2.4L DOHC	DGG, DGD = 32RH 3 Spd Auto
L = SE	U = Wrangler 4WD (RHD)		ERH = 4.0L Power Tech	DDD = 5 Speed HD Manual
M = X				DG0 = Auto. Trans.
P = Sahara				DBB = Manual Trans.
S = Rubicon				DDK = 5 Speed Manual

AR = Use as required - = Non illustrated part # = New this model year

September 29, 2003

**Power Distribution Center Repair  
Figure 008-1610**

ITEM	PART NUMBER	QTY	LINE	SERIES	BODY	ENGINE	TRANS	TRIM	DESCRIPTION
1	5014 460AC	1							REPAIR KIT, Power Distribution Center
-2	5073 653AA	1							REPAIR KIT, HARNESS



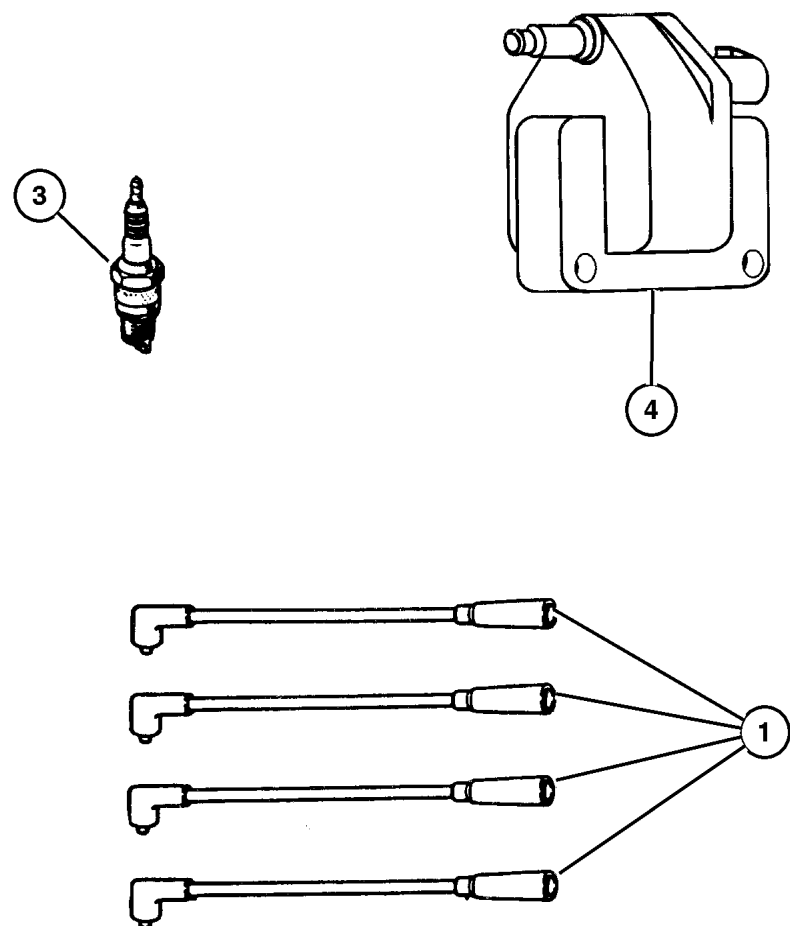
1

<b>JEEP WRANGLER (TJ)</b>				
SERIES	LINE	BODY	ENGINE	TRANSMISSION
H = Sport	J = Wrangler 4WD	77 = 93.4 WB	ED1, ED0 = 2.4L DOHC	DGG, DGD = 32RH 3 Spd Auto
L = SE	U = Wrangler 4WD (RHD)		ERH = 4.0L Power Tech	DDD = 5 Speed HD Manual
M = X				DG0 = Auto. Trans.
P = Sahara				DBB = Manual Trans.
S = Rubicon				DDK = 5 Speed Manual

AR = Use as required - = Non illustrated part # = New this model year

September 29, 2003

## Spark Plugs--Cables--Coil Figure 008-1905



ITEM	PART NUMBER	QTY	LINE	SERIES	BODY	ENGINE	TRANS	TRIM	DESCRIPTION
Notes:									
[ED0]=2.4L Engine									
[ER0]=4.0L Engine									
1									CABLE, Ignition
	56041 818AC	2				ED0			No. 2 & 3
	56044 075AC	2				ED0			No. 1 & 4
-2	#5102 091AA	1				ED0			CABLE PACKAGE, Ignition
3									SPARK PLUG
	SPRE1 4MCC5	4				ED0			
	#SP00 0ZFR5N	6				ER0			
4									COIL, Ignition
	56041 476AA	1				ER0			
	5269 670	1				ED0			
-5	6502 921	4				ED0			SCREW, Ignition Coil Mounting
-6	6102 146AA	4				ER0			SCREW AND WASHER, Ignition Coil Mounting
-7									CAPACITOR, Ignition
	56028 644AA	1				ED0			
	56041 889AA	1				ER0			
-8	6101 802	1				ED0			NUT, Capacitor mounting
-9	4693 243AA	4				ED0			ISOLATOR
-10	3300 4242	1				ER0			CLAMP, Distributor

### JEEP WRANGLER (TJ)

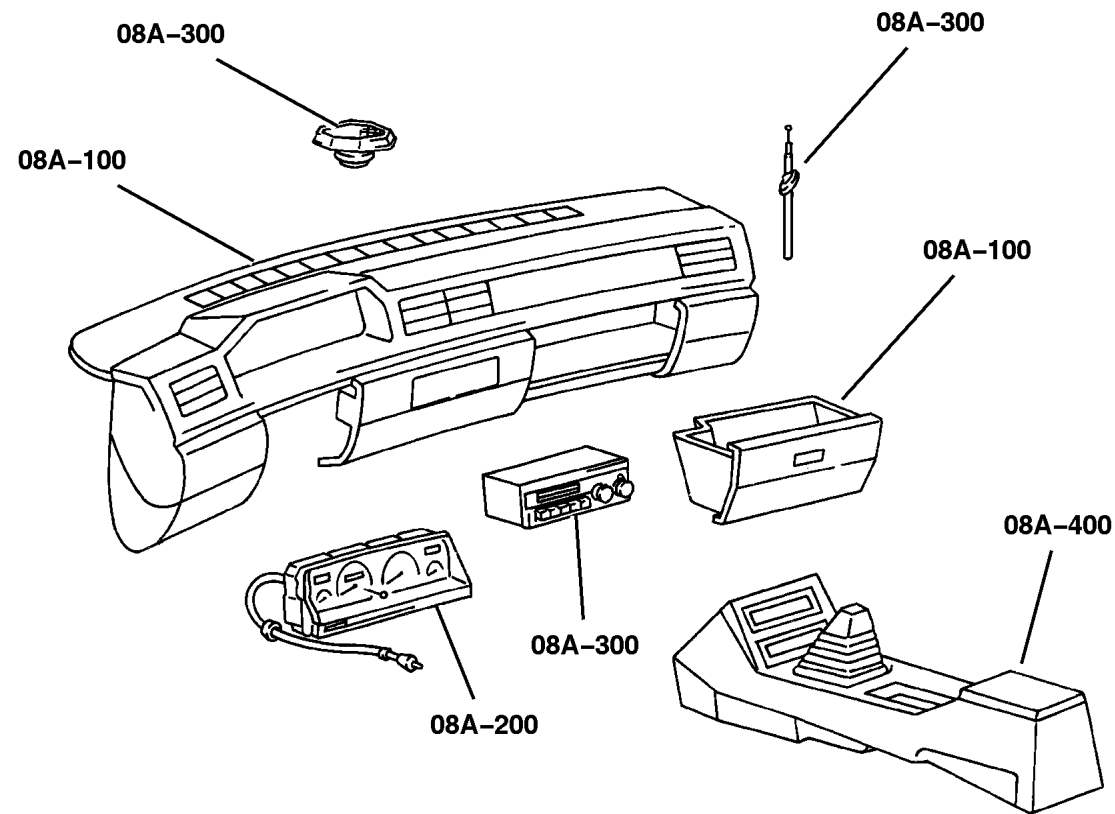
SERIES	LINE	BODY	ENGINE	TRANSMISSION
H = Sport	J = Wrangler 4WD	77 = 93.4 WB	ED1, ED0 = 2.4L DOHC	DGG, DGD = 32RH 3 Spd Auto
L = SE	U = Wrangler 4WD (RHD)		ERH = 4.0L Power Tech	DDD = 5 Speed HD Manual
M = X				DG0 = Auto. Trans.
P = Sahara				DBB = Manual Trans.
S = Rubicon				DDK = 5 Speed Manual

AR = Use as required - = Non illustrated part # = New this model year

September 29, 2003

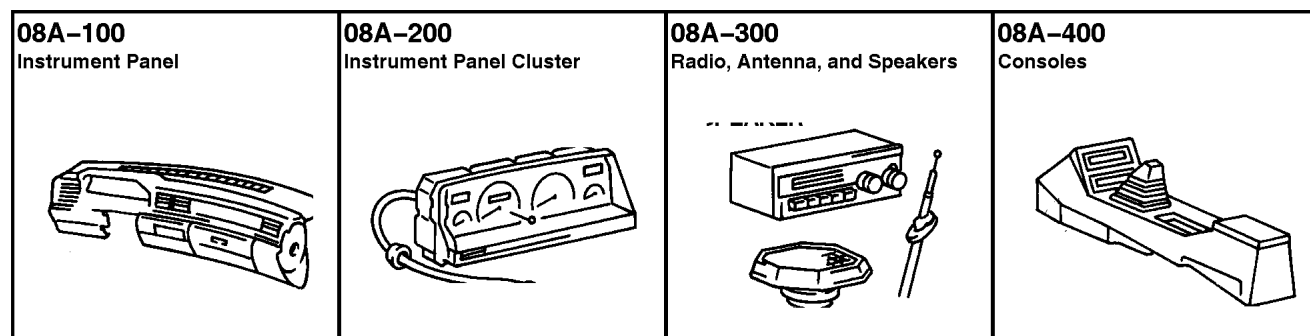
# Group – 08A

## Instrument Panel and Radios and Consoles

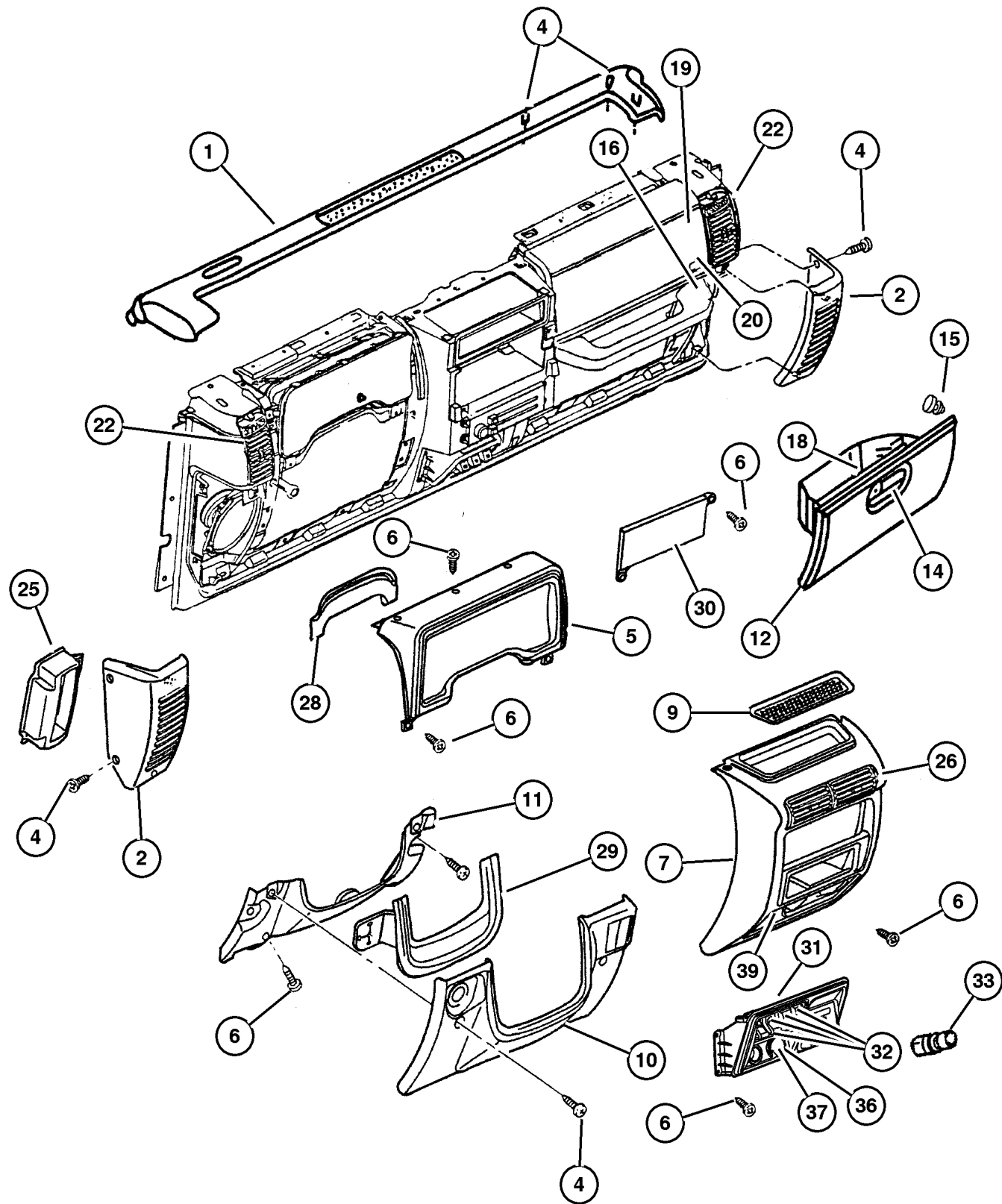


## GROUP 8A - Instrument Panel and Radios and Consoles

Illustration Title	Group-Fig. No.
<b>Instrument Panel</b>	
Instrument Panel .....	Fig. 08A-110
<b>Instrument Panel Cluster</b>	
Instrument Cluster .....	Fig. 08A-210
<b>Radio, Antenna, and Speakers</b>	
Radio .....	Fig. 08A-315
Antenna .....	Fig. 08A-320
Speakers .....	Fig. 08A-325
<b>Consoles</b>	
Consoles Full & Mini .....	Fig. 08A-410



Instrument Panel  
Figure 08A-110



ITEM	PART NUMBER	QTY	LINE	SERIES	BODY	ENGINE	TRANS	TRIM	DESCRIPTION
1									COVER, Instrument Panel
	#5EU50 LAZAE	1							[AZ]
	#5EU50 RC3AE	1							[C3]
	#5EU50 RK5AE	1							[KG]
		1							[K5]
	#5EU50 RT6AE	1							[TJ]
	#5EU50 XDVAE	1							[DV]
	#5EU50 ZJ3AE	1							[J3]
2									BEZEL, Speaker
	5DP1 6XDV	1							[DV], Right
	5DP1 6ZJ3	1							[J3], Right
	5DP1 7XDV	1							[DV], Left
	5DP1 7ZJ3	1							[J3], Left
-3	4524 342	2							CLIP
4	6035 369	4							SCREW, Piercing, .164-15x1.25
5									BEZEL, Instrument Cluster
	5GW62 DX9AA	1							
	5GW62 BS2AA	1							With 'Rubicon Group'
6	6034 949	5							SCREW
7									BEZEL, Instrument Panel, Center
	#5HG72 DX9AA	1							
	#5HG72 1S2AA	1							With 'Rubicon Group'
-8	4731 028	3							BUMPER, Center Bezel
9	5511 5652	1							MAT, Console Cup Holder, Center Tray Rubber Insert
10									COVER, Instrument Panel, Steering Column Opening
	UA83 XDVAA	1							[DV] With Headlamp Leveling
	UA83 ZJ3AA	1							[J3] With Headlamp Leveling
	5GV99 XDVAA	1							[DV] Without Headlamp Leveling
	5GV99 ZJ3AA	1							[J3] Without Headlamp Leveling
11									PANEL, Knee Blocker, (NOT REQUIRED)
12									GLOVE BOX, Instrument Panel
	5DP56 XDVAD	1							[DV]
	5DP56 ZJ3AD	1							[J3]
-13									STRAP, Glove Box Door Stop
	5503 7355	1			J				
		1			U				
14									LATCH, Glovebox
	5EM2 8XDV	1							[DV]
	5EM2 8ZJ3	1							[J3]

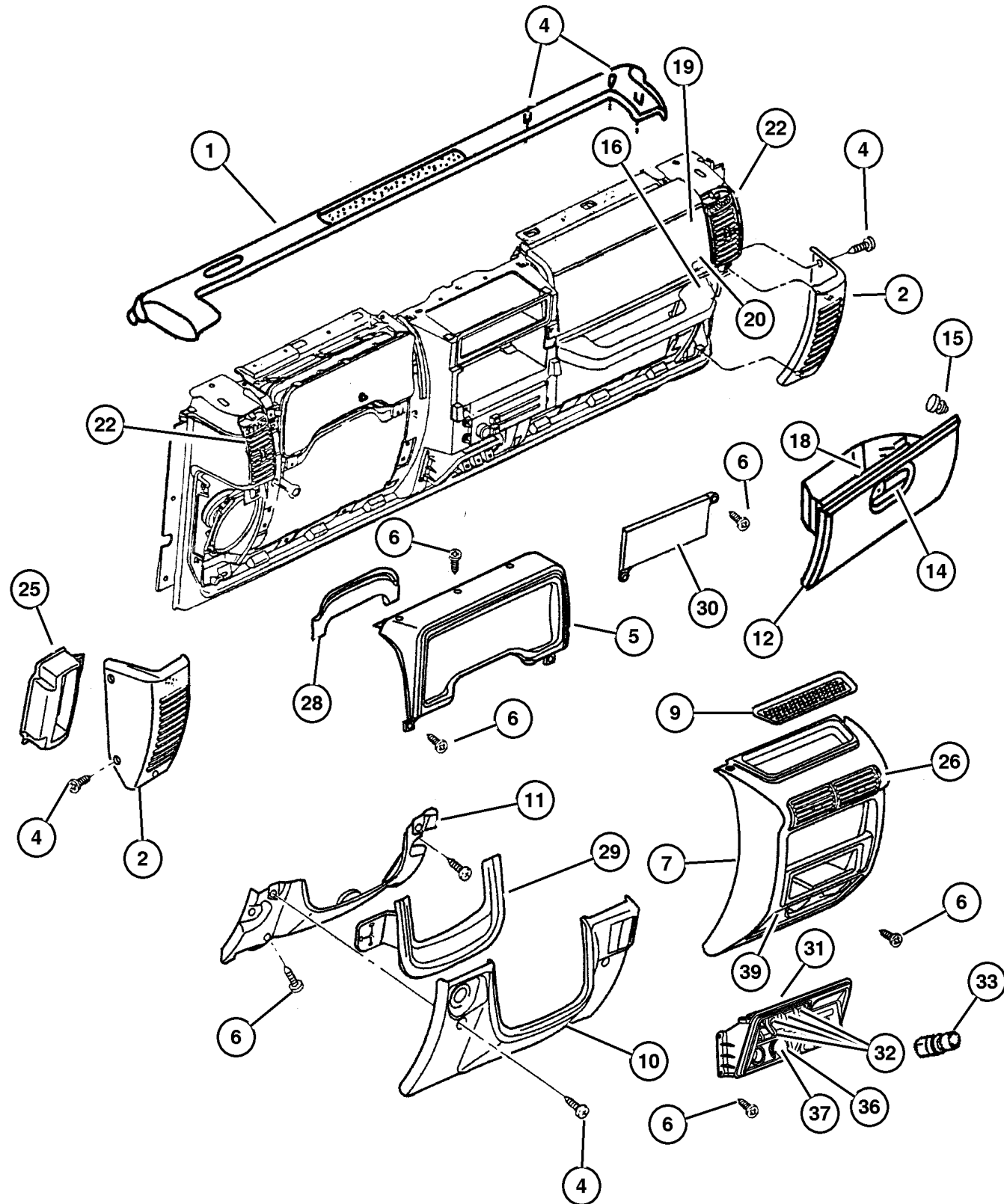
JEEP WRANGLER (TJ)

SERIES	LINE	BODY	ENGINE	TRANSMISSION
H = Sport	J = Wrangler 4WD	77 = 93.4 WB	ED1, ED0 = 2.4L DOHC	DGG, DGD = 32RH 3 Spd Auto
L = SE	U = Wrangler 4WD (RHD)		ERH = 4.0L Power Tech	DDD = 5 Speed HD Manual
M = X				DG0 = Auto. Trans.
P = Sahara				DBB = Manual Trans.
S = Rubicon				DDK = 5 Speed Manual

AR = Use as required - = Non illustrated part # = New this model year

September 29, 2003

**Instrument Panel  
Figure 08A-110**



ITEM	PART NUMBER	QTY	LINE	SERIES	BODY	ENGINE	TRANS	TRIM	DESCRIPTION
15	5503 7225	2							BUMPER, Glove Box Door
16	5DP5 2XDV	1	J						HANDLE, Grab, I/Panel [DV]
	5DP5 2ZJ3	1	U						[DV]
		1	J						[J3]
		1	U						[J3]
-17	5EE1 1XDV	1	J						HANDLE, Grab, Bezel Only [DV]
	5EE1 1ZJ3	1	U						[DV]
		1	J						[J3]
		1	U						[J3]
18	5511 5170	1	J						STRIKER, Glove Box Door Latch
		1	U						
19	55314 982AE	1	J						AIR BAG, Passenger
		1	U						
20	5DU3 8XDV	1	J						DOOR, Passenger Air Bag [DV]
	5DU3 8ZJ3	1	U						[DV]
		1	J						[J3]
		1	U						[J3]
-21	6101 455	2	J						SCREW AND WASHER, Hex Head, M6x1x20 Passenger Airbag Attaching
		2	U						Passenger Airbag Attaching
22	5DP5 4XDV	1	J						OUTLET, Air Conditioning & Heater [DV], Right
	5DP5 4ZJ3	1	U						[DV], Right
		1	J						[J3], Right
		1	U						[J3], Right
-23	#XX15 XDVAA	1	J						PANEL, Instrument [DV]
	#XX15 ZJ3AA	1	J						[J3]
	#XX16 XDVAA	1	U						[DV]
	#XX16 ZJ3AA	1	U						[J3]
-24	#5HG71 XDVAB	1	J						PANEL, Instrument, Cosmetic Repair Panel [DV]
	#5HG71 ZJ3AB	1	U						[DV]
		1	J						[J3]

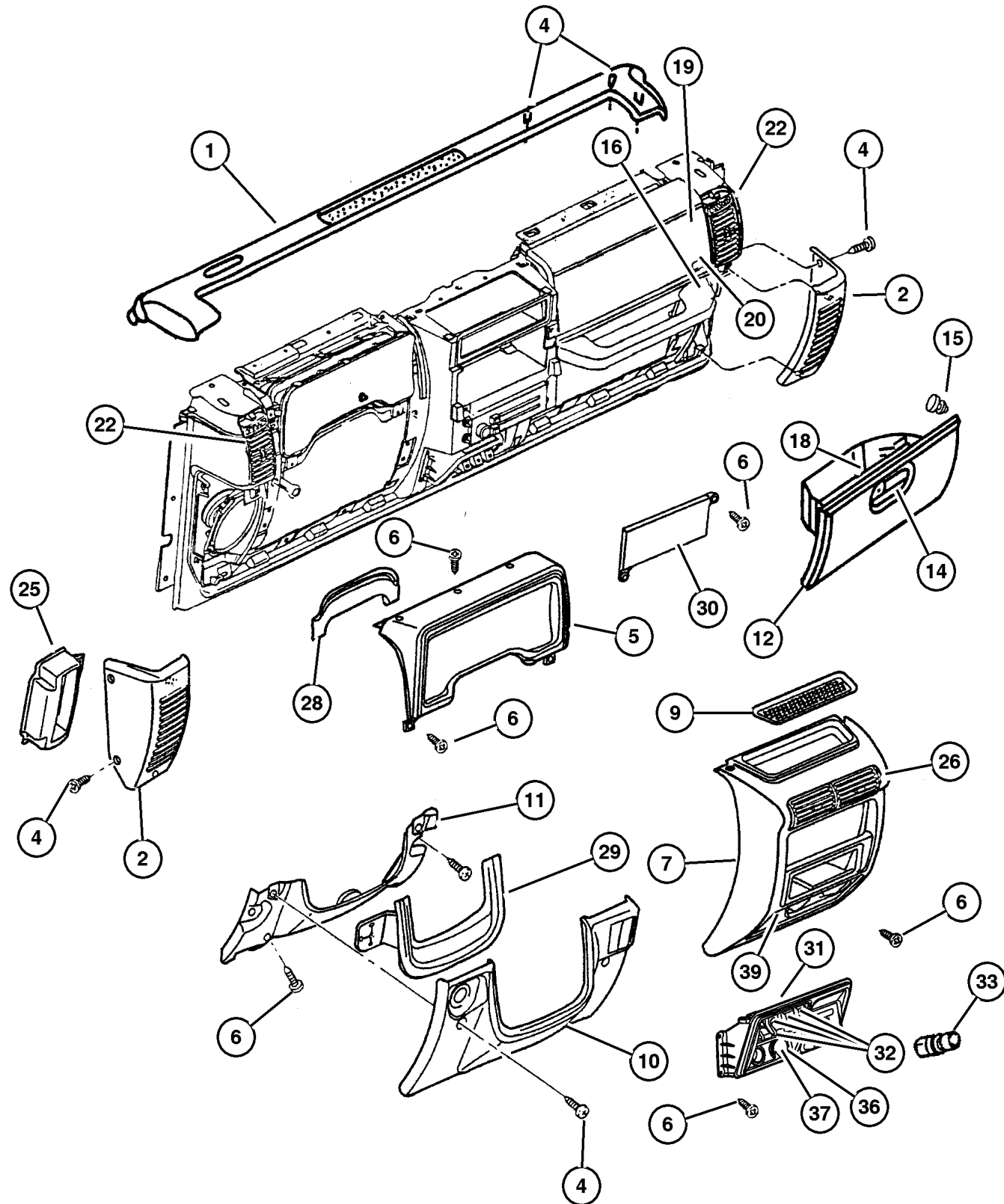
**JEEP WRANGLER (TJ)**

<b>SERIES</b>	<b>LINE</b>	<b>BODY</b>	<b>ENGINE</b>	<b>TRANSMISSION</b>
H = Sport	J = Wrangler 4WD	77 = 93.4 WB	ED1, ED0 = 2.4L DOHC	DGG, DGD = 32RH 3 Spd Auto
L = SE	U = Wrangler 4WD (RHD)		ERH = 4.0L Power Tech	DDD = 5 Speed HD Manual
M = X				DG0 = Auto. Trans.
P = Sahara				DBB = Manual Trans.
S = Rubicon				DDK = 5 Speed Manual

AR = Use as required - = Non illustrated part # = New this model year

September 29, 2003

**Instrument Panel  
Figure 08A-110**



ITEM	PART NUMBER	QTY	LINE	SERIES	BODY	ENGINE	TRANS	TRIM	DESCRIPTION
		1	U						[J3]
25									BAFFLE, Speaker, (NOT REQUIRED)
26	5FS1 0DX9	2							OUTLET, Air Conditioning & Heater
-27	6503 175	5							CLIP, Quarter Panel, I/Panel
28									FILLER, I/P To A Pillar, FILLER, Gap (Serviced in Item # 5), (NOT SERVICED) (Not Serviced)
29									FILLER, I/P To A Pillar, FILLER, Gap (Serviced In Item # 9), (NOT SERVICED) (Not Serviced)
30									COVER, Radio Opening, (NOT SERVICED) (Not Serviced)
31	#56047 071AA	1					DBB		BEZEL, Cigar Lighter 4 Switch Plugs, Cigar & Power Outlet with Socket / Cap Included
		1					DG0		4 Switch Plugs, Cigar & Power Outlet with Socket / Cap Included
	#5096 094AA	1					DG0		4 Switch Plugs Not Included
	#5101 964AA	1					DBB		4 Switch Plugs Not Included
32									PLUG, Switch Opening
	#56007 285AB	1					DBB		Overdrive Lockout
	5600 7329	1					DBB		Rear Washer & Wiper
		1					DG0		Rear Washer & Wiper
	5600 7330	1					DBB		Heated Rear Window
		1					DG0		Heated Rear Window
	#56047 065AA	1					DBB		Axle Lock
		1					DG0		Axle Lock
33	4685 536	1							KNOB AND ELEMENT, Cigar Lighter
-34									BASE, Cigar Lighter
	4685 590	1					DBB		
		1					DG0		
-35									RING, Cigar Lighter Mounting
	4793 555	1					DBB		
		1					DG0		
36									POWER OUTLET
	4793 554AB	1					DBB		
		1					DG0		
37									CAP, Power Outlet
	#4685 666AB	1					DBB		
		1					DG0		

**JEEP WRANGLER (TJ)**

SERIES  
H = Sport  
L = SE  
M = X  
P = Sahara  
S = Rubicon

LINE  
J = Wrangler 4WD  
U = Wrangler 4WD (RHD)

BODY  
77 = 93.4 WB

ENGINE  
ED1, ED0 = 2.4L DOHC  
ERH = 4.0L Power Tech

TRANSMISSION  
DGG, DGD = 32RH 3 Spd Auto  
DDD = 5 Speed HD Manual  
DG0 = Auto. Trans.  
DBB = Manual Trans.  
DDK = 5 Speed Manual

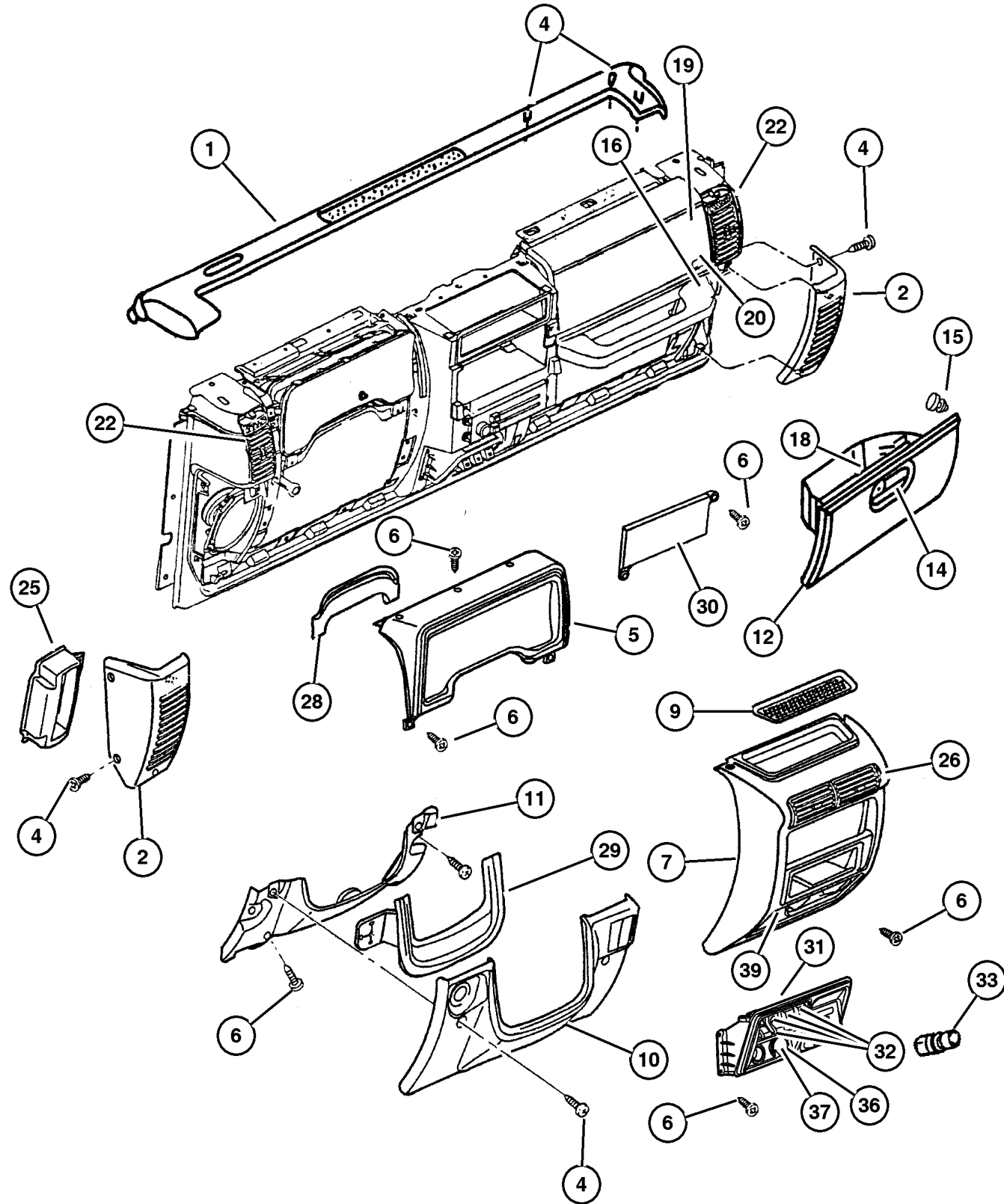
AR = Use as required - = Non illustrated part # = New this model year

September 29, 2003



Instrument Panel  
Figure 08A-110

ITEM	PART NUMBER	QTY	LINE	SERIES	BODY	ENGINE	TRANS	TRIM	DESCRIPTION
-38	5600 8852	1							CAP, Cigar Lighter, Without Cigar Lighter
39	#55157 068AA	1							DIMENSIONAL GRAPHIC, Decal 'TOMB RAIDER LIMITED EDITION' with VIN ID #



<b>JEEP WRANGLER (TJ)</b>				
SERIES	LINE	BODY	ENGINE	TRANSMISSION
H = Sport	J = Wrangler 4WD	77 = 93.4 WB	ED1, ED0 = 2.4L DOHC	DGG, DGD = 32RH 3 Spd Auto
L = SE	U = Wrangler 4WD (RHD)		ERH = 4.0L Power Tech	DDD = 5 Speed HD Manual
M = X				DG0 = Auto. Trans.
P = Sahara				DBB = Manual Trans.
S = Rubicon				DDK = 5 Speed Manual

AR = Use as required - = Non illustrated part # = New this model year

September 29, 2003

## Instrument Cluster Figure 08A-210

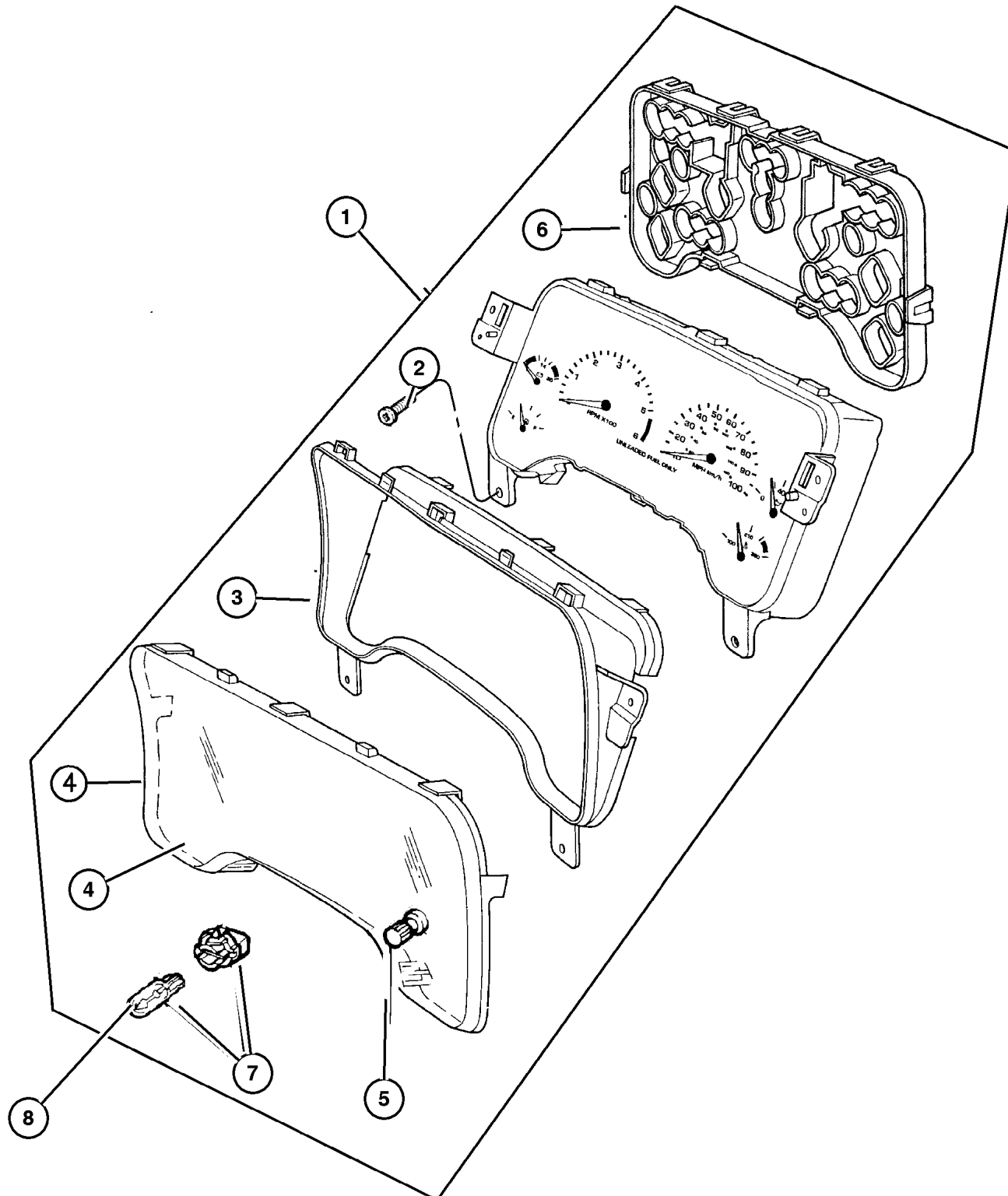
ITEM	PART NUMBER	QTY	LINE	SERIES	BODY	ENGINE	TRANS	TRIM	DESCRIPTION
------	-------------	-----	------	--------	------	--------	-------	------	-------------

**Notes:**

[ED0]=All 4 Cylinder Engine

[ER0]=4.0L Engine

1									CLUSTER
	#56047 016AB	1							MPH
	#56047 017AB	1				ED0, ER0			KPH without Rear Foglamp
	#56047 018AD	1	U			ED0, ER0			MPH
	#56047 019AD	1	U			ED0, ER0			KPH
	#56047 078AF	1				ED0, ER0			KPH with Rear Foglamp
2	6034 949	4							SCREW
3	4874 344	1							MASK, Instrument Cluster
4	4874 345	1							LENS, Cluster
5	4874 346	1							GROMMET, Speedometer Trip Reset
6									COVER, Cluster, Serviced in Assembly Only , (NOT SERVICED) (Not Serviced)
7	4874 349	5							BULB AND SOCKET
8	L000 PC74	1							BULB, PC74



**JEEP WRANGLER (TJ)**

SERIES	LINE	BODY	ENGINE	TRANSMISSION
H = Sport	J = Wrangler 4WD	77 = 93.4 WB	ED1, ED0 = 2.4L DOHC	DGG, DGD = 32RH 3 Spd Auto
L = SE	U = Wrangler 4WD (RHD)		ERH = 4.0L Power Tech	DDD = 5 Speed HD Manual
M = X				DG0 = Auto. Trans.
P = Sahara				DBB = Manual Trans.
S = Rubicon				DDK = 5 Speed Manual

AR = Use as required - = Non illustrated part # = New this model year

September 29, 2003

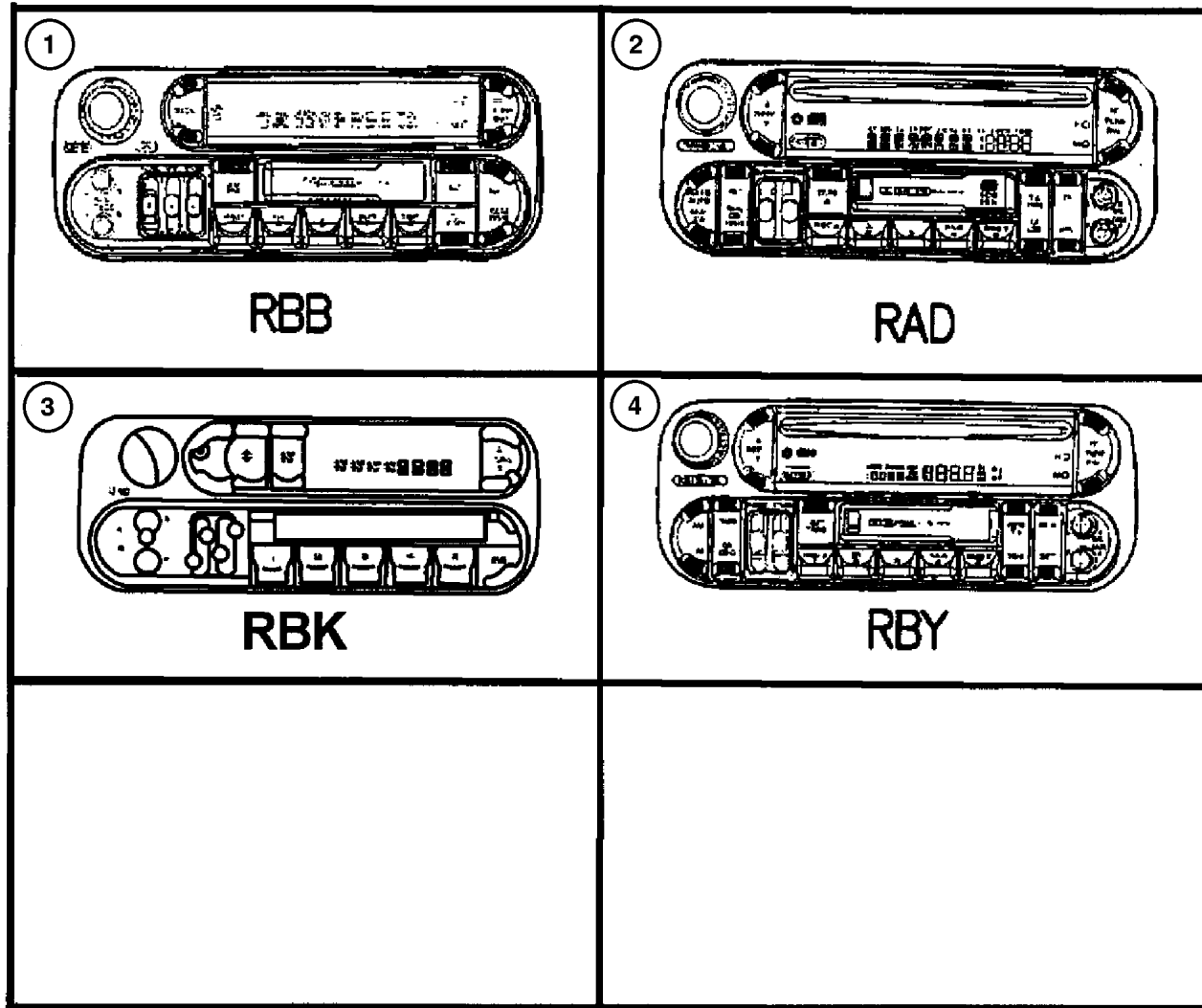
**Radio**  
**Figure 08A-315**

ITEM	PART NUMBER	QTY	LINE	SERIES	BODY	ENGINE	TRANS	TRIM	DESCRIPTION
------	-------------	-----	------	--------	------	--------	-------	------	-------------

Notes:

- [RAD]=AM/FM Cassette /CD with Changer
- [RBB]=AM/FM Cassette with Changer
- [RBK]=AM/FM Compact Disc with Changer
- [RBP]=AM/FM Cassette /CD with Changer
- [RBT]=AM/FM Cassette /CD with Changer
- [RBY]=AM/FM Cassette /CD with Changer

1	#5064 335AD	1							RADIO, AM/FM/Cassette With CD Control, [RBB]
2	#5064 385AF	1							RADIO, AM/FM/Cassette With CD, [RAD]
3	#5064 354AD	1							RADIO, AM/FM with CD and Equalizer, [RBK]
4	56038 583AH	1							RADIO, AM/FM/Cassette With CD, [RBY]
-5	#5064 384AF	1							RADIO, AM/FM/Cassette With CD, [RBT]
-6	#5064 125AC	1							RADIO, AM/FM/Cassette With CD, [RBP]
-7	6101 945	4							SCREW, Radio Mounting
-8	5600 9161	1							STRAP, Ground
-9	#56038 745AC	1							BRACKET, Radio
-10	#56038 744AC	1							PLATE, Radio Opening, Rear Radio Plate Mounting
-11	6035 859	4			J				CLIP, Speaker, Radio attaching
-12	#5271 299AA	1			J				WIRING, Radio Jumper
-13	J400 4642	1							SCREW, Round Head, .164-18x.560, Dedicated Radio Ground



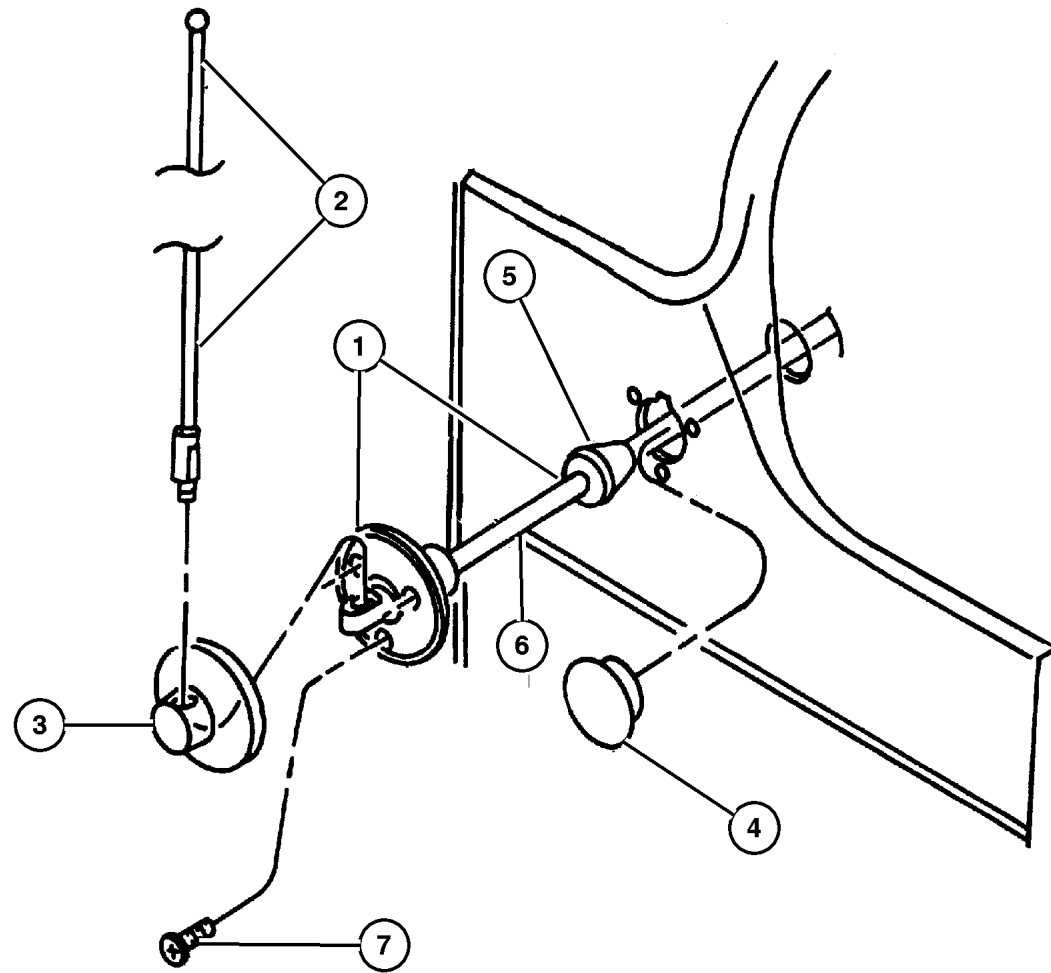
**JEEP WRANGLER (TJ)**

SERIES	LINE	BODY	ENGINE	TRANSMISSION
H = Sport	J = Wrangler 4WD	77 = 93.4 WB	ED1, ED0 = 2.4L DOHC	DGG, DGD = 32RH 3 Spd Auto
L = SE	U = Wrangler 4WD (RHD)		ERH = 4.0L Power Tech	DDD = 5 Speed HD Manual
M = X				DG0 = Auto. Trans.
P = Sahara				DBB = Manual Trans.
S = Rubicon				DDK = 5 Speed Manual

AR = Use as required - = Non illustrated part # = New this model year

September 29, 2003

Antenna  
Figure 08A-320



ITEM	PART NUMBER	QTY	LINE	SERIES	BODY	ENGINE	TRANS	TRIM	DESCRIPTION
1	#56038 660AB	1							ANTENNA, Base Cable And Bracket, With pigtail
2	#56009 081AC	1							MAST, Antenna, Chrome
3	5603 8504	1							COVER, Antenna Opening
4	5600 8929	1	J						PLUG, Antenna Hole
5									GROMMET, Antenna, (NOT SERVICED) (Not Serviced)
6	#56038 661AB	1							CABLE, Antenna
7									SCREW, .164-18x.75, (NOT SERVICED) (Not Serviced)
-8	#5094 003AA	1							ANTENNA, Satellite

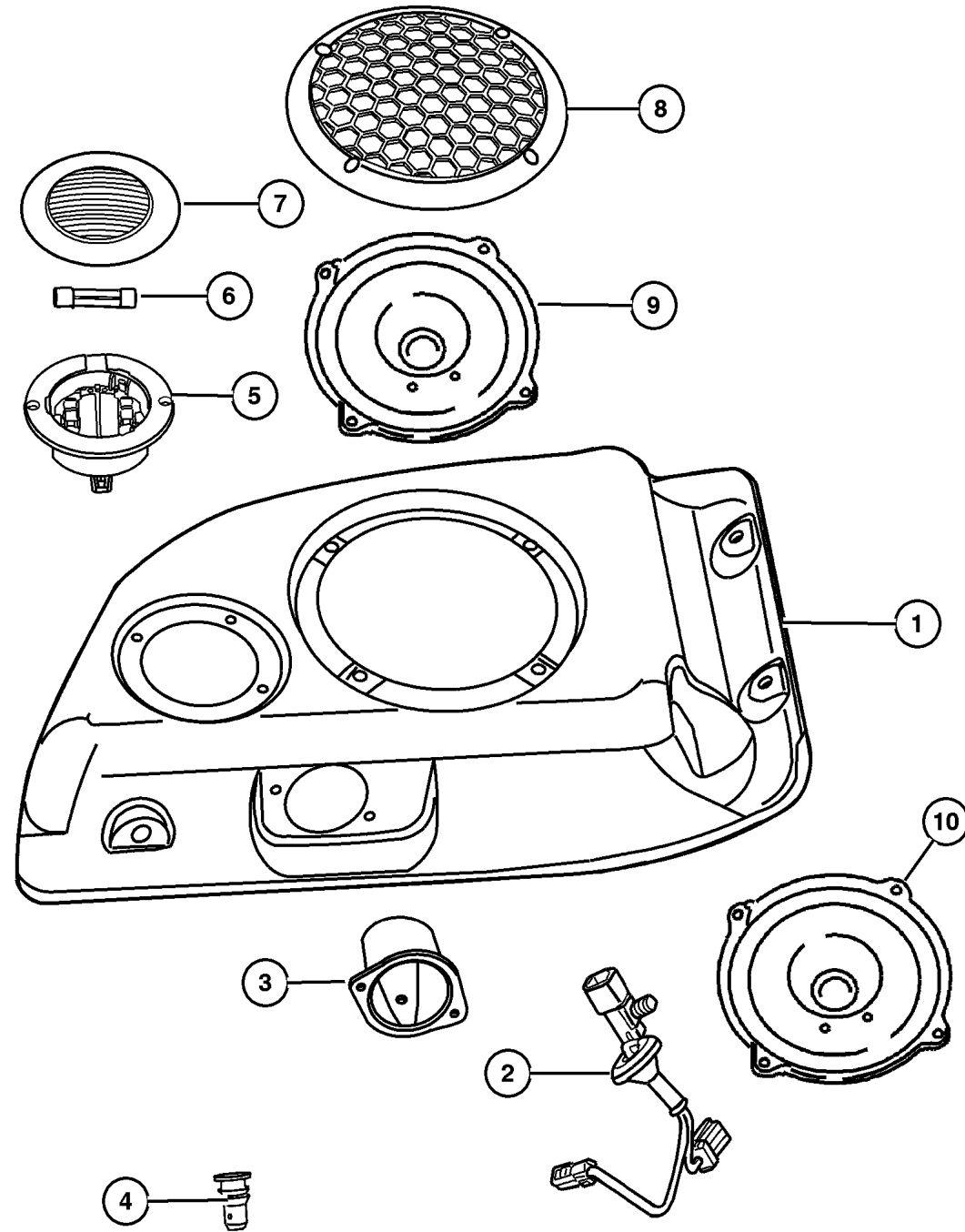
JEEP WRANGLER (TJ)

SERIES	LINE	BODY	ENGINE	TRANSMISSION
H = Sport	J = Wrangler 4WD	77 = 93.4 WB	ED1, ED0 = 2.4L DOHC	DGG, DGD = 32RH 3 Spd Auto
L = SE	U = Wrangler 4WD (RHD)		ERH = 4.0L Power Tech	DDD = 5 Speed HD Manual
M = X				DG0 = Auto. Trans.
P = Sahara				DBB = Manual Trans.
S = Rubicon				DDK = 5 Speed Manual

AR = Use as required - = Non illustrated part # = New this model year

September 29, 2003

## Speakers Figure 08A-325



ITEM	PART NUMBER	QTY	LINE	SERIES	BODY	ENGINE	TRANS	TRIM	DESCRIPTION
1									HOUSING, Speaker
	#5HU98 DX9AE	1							Black (Speaker Grille, Lamp, Lens & Wiring Included), Right
	#5HU99 DX9AE	1							Black (Speaker Grille, Lamp, Lens & Wiring Included), Left
2	#56047 121AC	1							WIRING, Speaker - Rear
3									CUP, Wire Cup (Serviced with Speaker Housing) , (NOT SERVICED) (Not Serviced)
4	#5093 022AA	1							SLEEVE, Isolator
5	#56047 114AA	1							LAMP, Dome, Serviced with Bulb
6	L002 1102	1							BULB, 211-2
7	#56047 115AA	1							LENS, Dome Lamp
8	#5086 805AA	1							GRILLE, Speaker
9	#56038 566AE	1							SPEAKER, Rear
10									SPEAKER, Instrument Panel
	#56008 795AG	2							[RCD] 4 Speakers
	56038 719AC	2							[RCU] 7 Speakers Including Subwoofer

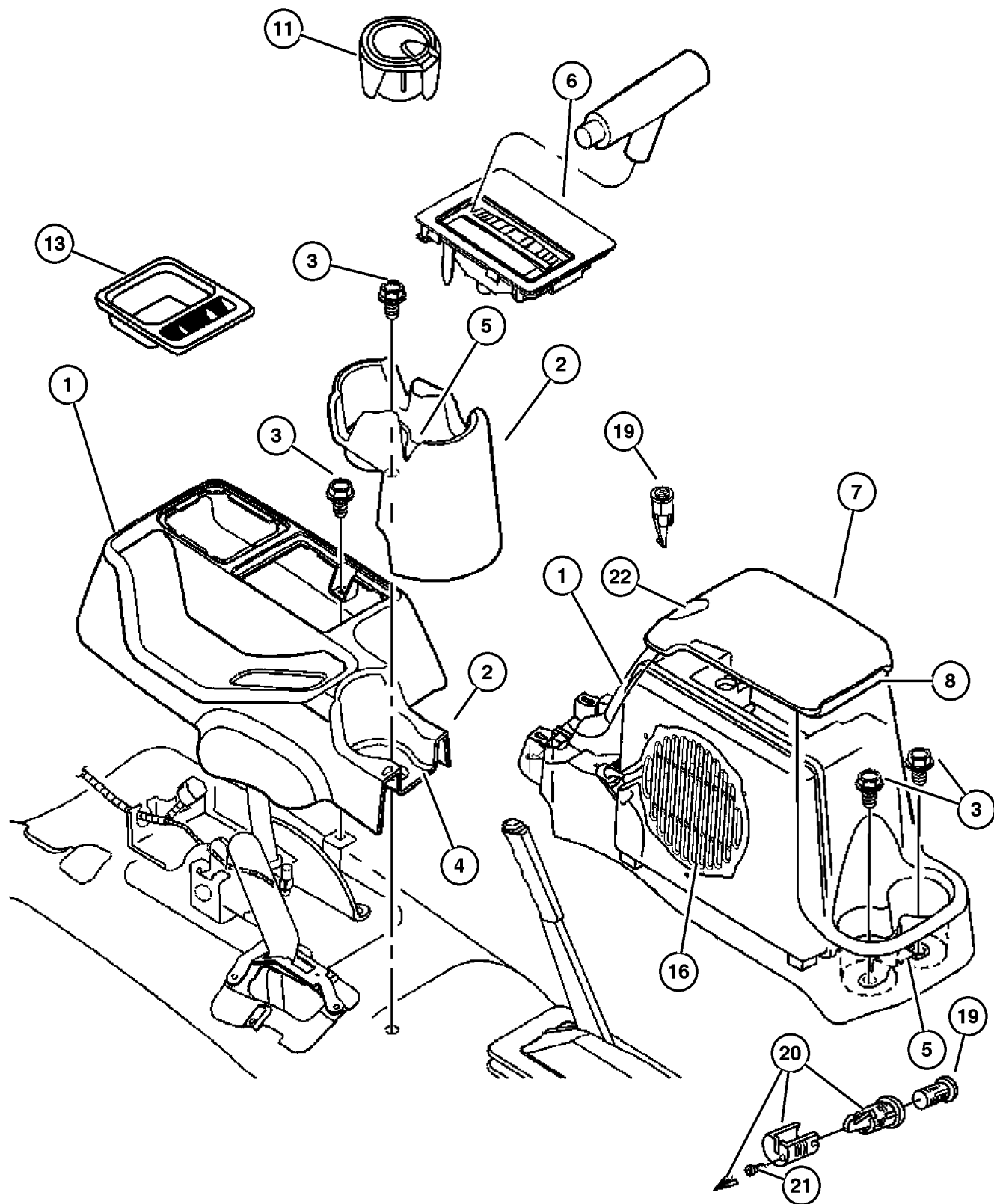
**JEEP WRANGLER (TJ)**

SERIES	LINE	BODY	ENGINE	TRANSMISSION
H = Sport	J = Wrangler 4WD	77 = 93.4 WB	ED1, ED0 = 2.4L DOHC	DGG, DGD = 32RH 3 Spd Auto
L = SE	U = Wrangler 4WD (RHD)		ERH = 4.0L Power Tech	DDD = 5 Speed HD Manual
M = X				DG0 = Auto. Trans.
P = Sahara				DBB = Manual Trans.
S = Rubicon				DDK = 5 Speed Manual

AR = Use as required - = Non illustrated part # = New this model year

September 29, 2003

**Consoles Full & Mini  
Figure 08A-410**



ITEM	PART NUMBER	QTY	LINE	SERIES	BODY	ENGINE	TRANS	TRIM	DESCRIPTION
Notes:									
[DG0]=All Automatic Transmissions									
1	WS46 XDVAB	1							CONSOLE, Floor [DV] Rear Tower with Full Floor Console & with Subwoofer
	WS46 ZJ3AB	1							[J3] Rear Tower with Full Floor Console & with Subwoofer
	5HF13 XDVAC	1							[DV] Mini Console or Forward Section of Full Console
	5HF13 ZJ3AC	1							[J3] Mini Console or Forward Section of Full Console
	5HE62 XDVAD	1							[DV] Rear Tower with Full Floor Console & without Subwoofer
	5HE62 ZJ3AD	1							[J3] Rear Tower with Full Floor Console & without Subwoofer
2	55315 038AC	1							CUPHOLDER, Console Dual Cupholder (Full Console)
	5HJ98 XDVAB	1							[DV] Rear of Mini Floor Console
	5HJ98 ZJ3AB	1							[J3] Rear of Mini Floor Console
3									SCREW, 0.190-16x.875 , (NOT SERVICED) (Not Serviced)
4	5511 5652	1							MAT, Console Cup Holder, Single Cupholder Mat
5	55315 050AA	1							MAT, Floor, Double Cupholder Mat
6									BEZEL AND DIAL, Gearshift Lever
	55115 571AB	1	U				DG0		
	#55315 059AA	1					DG0		
7	5HE63 XDVAD	1							LID, Center Console Storage [DV] Latch & Hinge Included
	5HE63 ZJ3AD	1							[J3] Latch & Hinge Included
8	55315 039AB	1							HINGE, Floor Console Lid
-9									STRIKER, Console Lid Catch, Serviced in Console, (NOT SERVICED) (Not Serviced)
-10	55315 051AA	2							BUMPER, Glove Box Door
11	#5HZ57 DX9AB	1							ASH RECEIVER, Floor Console
-12	#56010 301AB	1					DBB		SWITCH, Passenger Airbag Disarm
13	#55315 056AB	1							TRAY, Floor Console
-14	55315 000AB	1					DBB		PLUG, Cover, With Tether
-15									BIN, Storage Without Compact Disc & without Subwoofer
	55315 040AC	1							

**JEEP WRANGLER (TJ)**

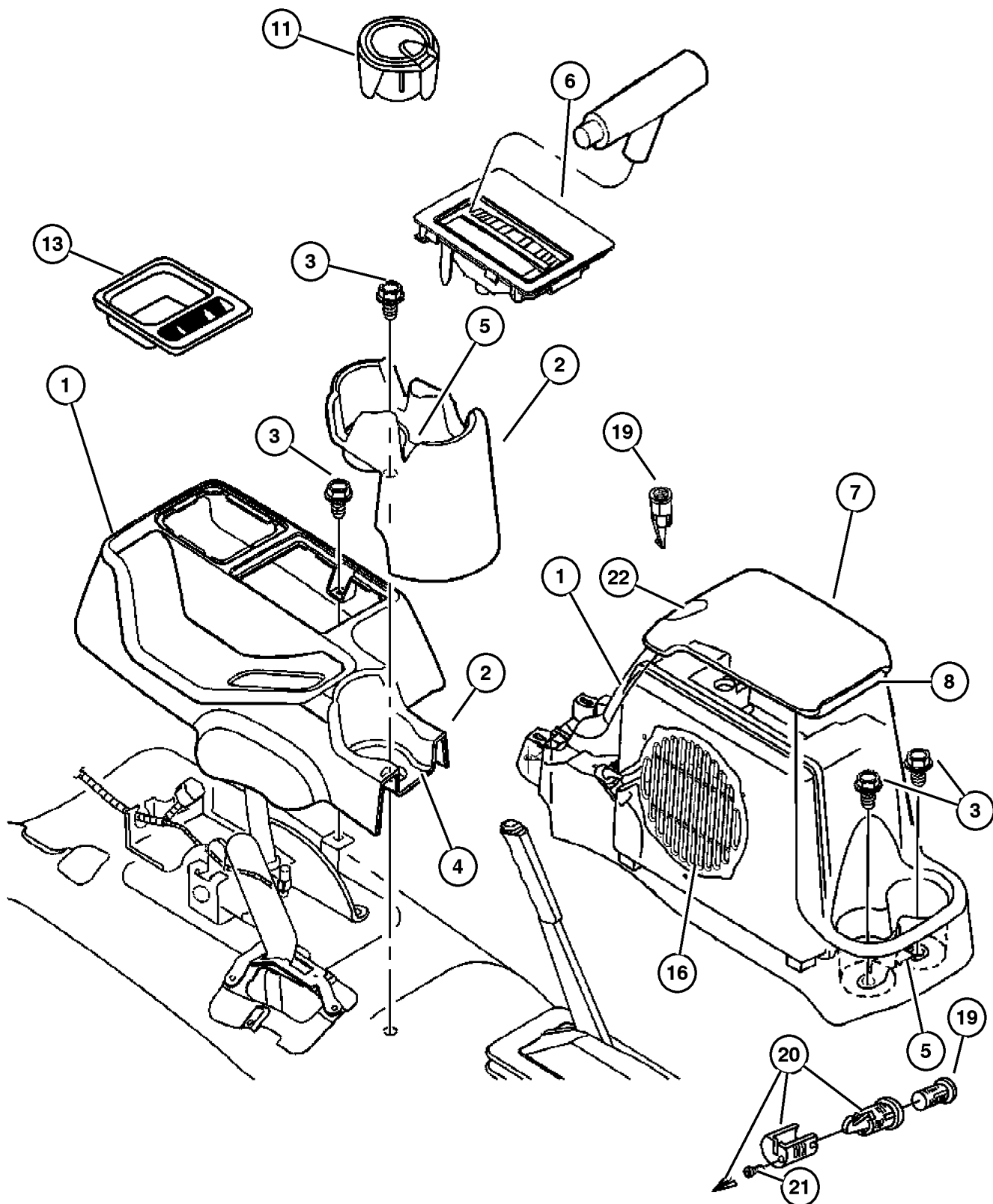
<b>SERIES</b>	<b>LINE</b>	<b>BODY</b>	<b>ENGINE</b>	<b>TRANSMISSION</b>
H = Sport	J = Wrangler 4WD	77 = 93.4 WB	ED1, ED0 = 2.4L DOHC	DGG, DGD = 32RH 3 Spd Auto
L = SE	U = Wrangler 4WD (RHD)		ERH = 4.0L Power Tech	DDD = 5 Speed HD Manual
M = X				DG0 = Auto. Trans.
P = Sahara				DBB = Manual Trans.
S = Rubicon				DDK = 5 Speed Manual

AR = Use as required - = Non illustrated part # = New this model year

September 29, 2003

Consoles Full & Mini  
Figure 08A-410

ITEM	PART NUMBER	QTY	LINE	SERIES	BODY	ENGINE	TRANS	TRIM	DESCRIPTION
	55315 055AA	1							With Compact Disc
16	#56038 743AC	1							SPEAKER, Sub Woofer, Full Console Rear
-17	55315 043AC	1							PLATE, Speaker, Without Compact Disc & without Subwoofer
-18	6034 833	2							CLIP, Push, .164-7.5, Hinge to Console Base
19	4746 305	1							CYLINDER, Console Lock
20	4741 954	1							LATCH, Storage Bin Lid
21									SCREW, (NOT SERVICED) (Not Serviced)
22	55315 041AC	1							LATCH, Armrest Lid, Latch Clamp
-23	J400 4642	1							SCREW, Round Head, .164-18x.560, Subwoofer Ground



JEEP WRANGLER (TJ)

SERIES	LINE	BODY	ENGINE	TRANSMISSION
H = Sport	J = Wrangler 4WD	77 = 93.4 WB	ED1, ED0 = 2.4L DOHC	DGG, DGD = 32RH 3 Spd Auto
L = SE	U = Wrangler 4WD (RHD)		ERH = 4.0L Power Tech	DDD = 5 Speed HD Manual
M = X				DG0 = Auto. Trans.
P = Sahara				DBB = Manual Trans.
S = Rubicon				DDK = 5 Speed Manual

AR = Use as required - = Non illustrated part # = New this model year

September 29, 2003

# Group – 009

## Engine Mounting

### GROUP 9 - Engine Mounting

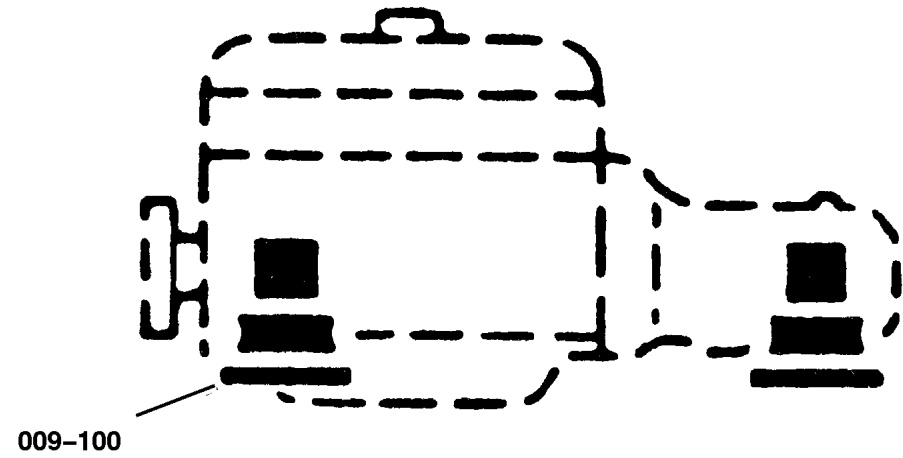
Illustration Title

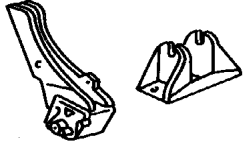
Group-Fig. No.

#### Engine Mounting

Engine Mounting, Front, 2.4 (ED1) 4.0 (ERO) ..... Fig. 009-110

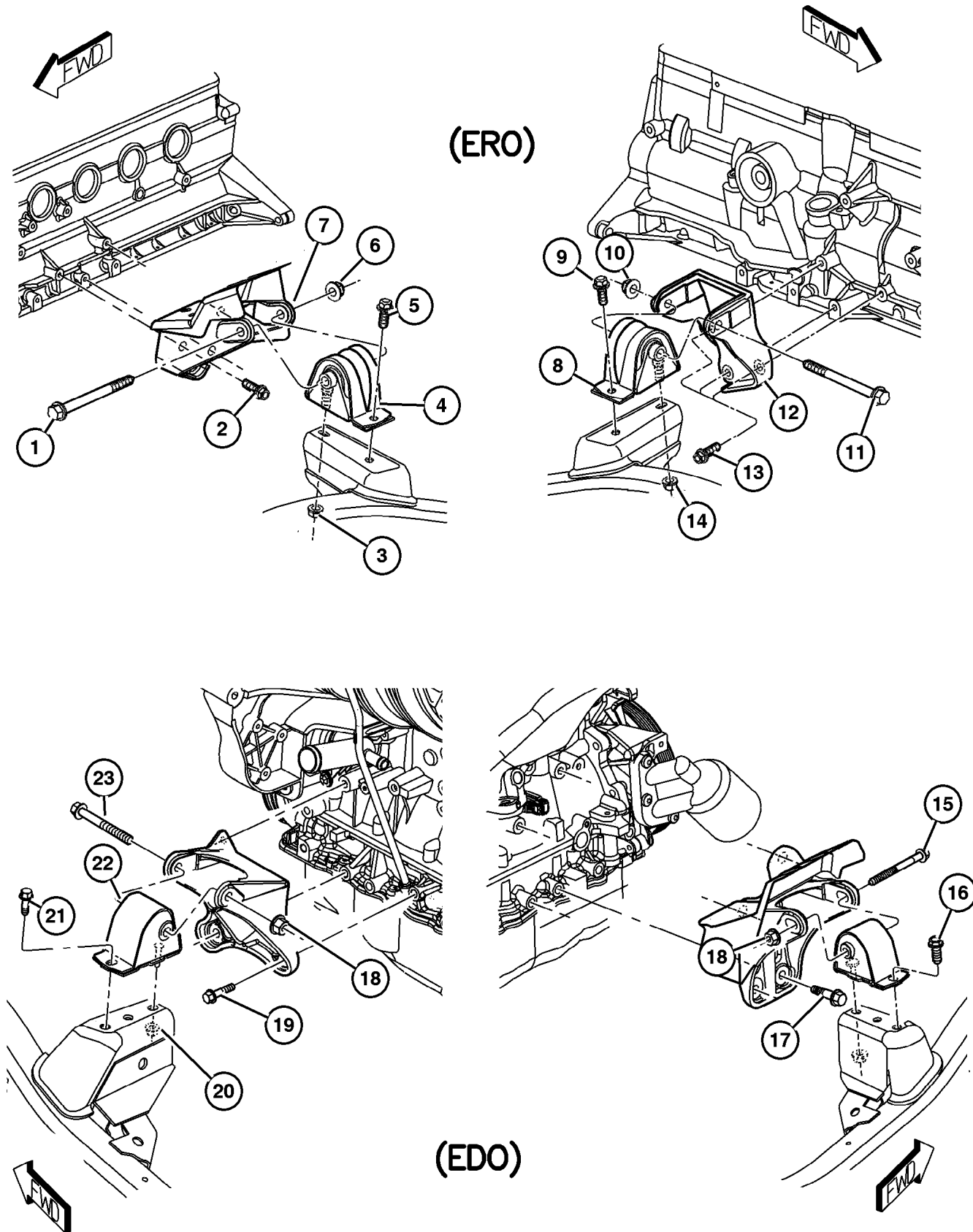
Engine Mounting, Rear, 2.4 (ED1) 4.0 (ERO) ..... Fig. 009-120



<p><b>009-100</b> Engine Mounting</p> 			
---	--	--	--



**Engine Mounting, Front, 2.4 (ED1) 4.0 (ERO)**  
**Figure 009-110**



ITEM	PART NUMBER	QTY	LINE	SERIES	BODY	ENGINE	TRANS	TRIM	DESCRIPTION
NOTE: EP0=All 2.5L Gas Engines									
1	3420 2606	2				ER0			BOLT, Hex Head
2	6503 699	6				ER0			SCREW AND WASHER, Hex Head, M10x1.5x28
3	6502 696	2							NUT, Hex Flange Lock, M10x1.5
4	52019 278AB	2				ER0			INSULATOR, Engine Mount
5	6502 137	2							BOLT, Hex Flange Head, M10x1.50x35
6	6502 697	2							NUT, Hex Flange Lock, M12x1.75
7	52059 285AB	1				ER0			BRACKET, Engine Mount
8	52019 278AB	2				ER0			INSULATOR, Engine Mount
9	6502 137	2							BOLT, Hex Flange Head, M10x1.50x35
10	6502 697	2							NUT, Hex Flange Lock, M12x1.75
11	3420 2606	2				ER0			BOLT, Hex Head
12									BRACKET, Engine Mount
	#52059 418AA	1				ED0			Left
	#52059 419AA	1				ED0			Right
	52059 284AB	1				ER0			
13	6503 699	6				ER0			SCREW AND WASHER, Hex Head, M10x1.5x28
14	6502 696	2							NUT, Hex Flange Lock, M10x1.5
15	3420 2606	1				ED0			BOLT, Hex Head
16	6502 137	2							BOLT, Hex Flange Head, M10x1.50x35
17	6503 699	7				ED0			SCREW AND WASHER, Hex Head, M10x1.5x28
18	6502 697	2							NUT, Hex Flange Lock, M12x1.75
19	6503 699	7				ED0			SCREW AND WASHER, Hex Head, M10x1.5x28
20	6502 696	2							NUT, Hex Flange Lock, M10x1.5
21	6502 137	2							BOLT, Hex Flange Head, M10x1.50x35
22	#52019 276AC	2				ED0			INSULATOR, Engine Mount
23	#6507 344AA	1				ED0			BOLT

**JEEP WRANGLER (TJ)**

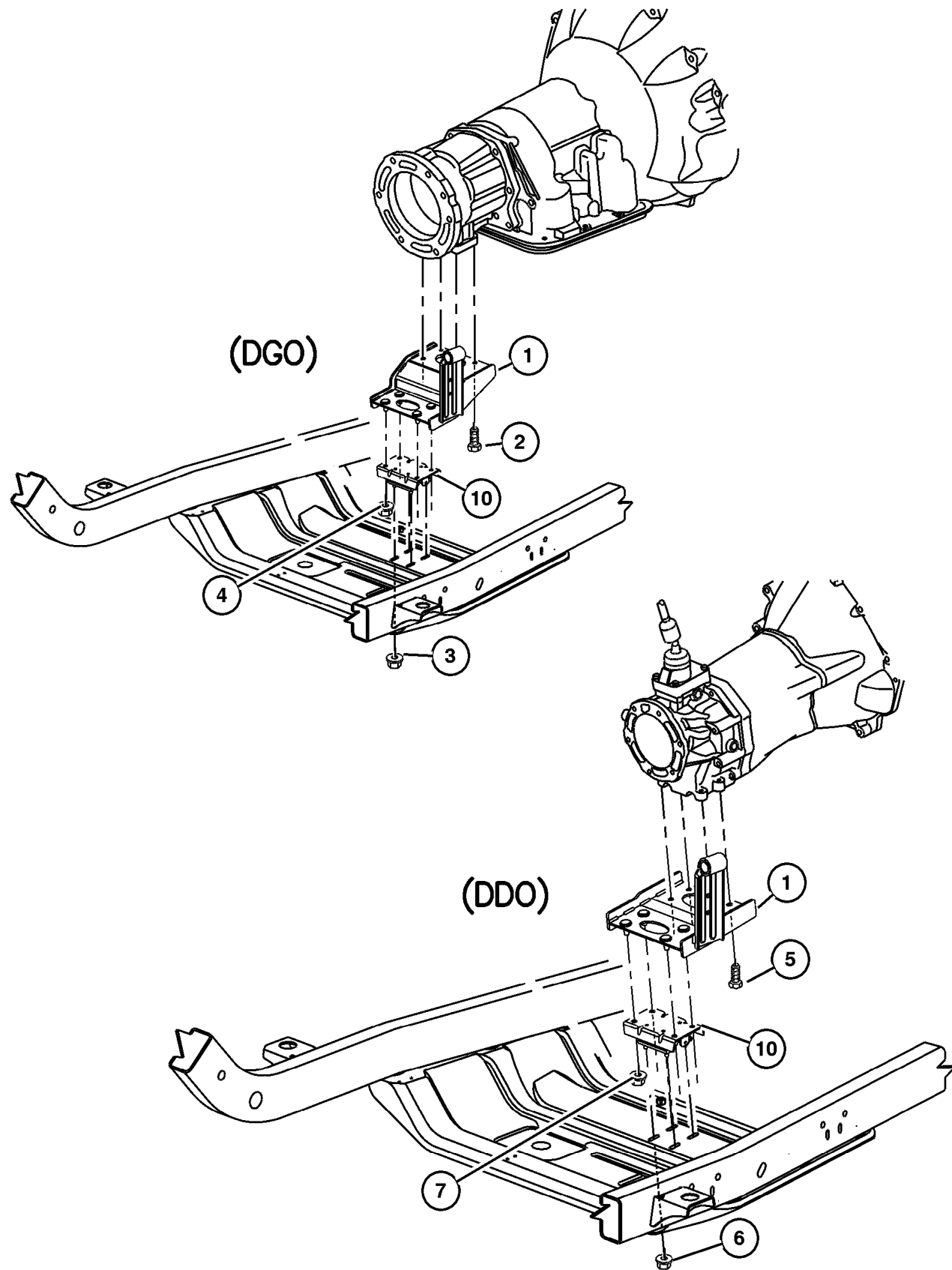
SERIES	LINE	BODY	ENGINE	TRANSMISSION
H = Sport	J = Wrangler 4WD	77 = 93.4 WB	ED1, ED0 = 2.4L DOHC	DGG, DGD = 32RH 3 Spd Auto
L = SE	U = Wrangler 4WD (RHD)		ERH = 4.0L Power Tech	DDD = 5 Speed HD Manual
M = X				DG0 = Auto. Trans.
P = Sahara				DBB = Manual Trans.
S = Rubicon				DDK = 5 Speed Manual

AR = Use as required - = Non illustrated part # = New this model year

September 29, 2003

**Engine Mounting, Rear, 2.4 (ED1) 4.0 (ERO)  
Figure 009-120**

ITEM	PART NUMBER	QTY	LINE	SERIES	BODY	ENGINE	TRANS	TRIM	DESCRIPTION
NOTE: EP0=All 2.5L Gas Engines DDO= All Manual Transmission DG0=All Automatic Transmissions									
1									BRACKET, Transmission Mount
	#52059 422AB	1				ED1	DG0		
	#52059 502AB	1				ER0	DG0		
	#52059 504AB	1				ED0	DD0		
	#52059 509AB	1				ER0	DD0		
2									SCREW, [.437-14x1.12 06035982AA], (NOT SERVICED) (Not Serviced)
3	6502 337	4							NUT, M10x1.5
4	6100 517	4							NUT, Hex Flange Lock
5									SCREW, [.437-14x1.12 06035982AA], (NOT SERVICED) (Not Serviced)
6	6100 517	4							NUT, Hex Flange Lock
7	6502 337	4							NUT, M10x1.5
-8	52058 551AB	1							MOUNT, Transmission
-9	5208 5085	1				ED1	DG0		BUSHING, Exhaust Hanger
10	52058 551AB	1							MOUNT, Transmission



**JEEP WRANGLER (TJ)**

SERIES	LINE	BODY	ENGINE	TRANSMISSION
H = Sport	J = Wrangler 4WD	77 = 93.4 WB	ED1, ED0 = 2.4L DOHC	DGG, DGD = 32RH 3 Spd Auto
L = SE	U = Wrangler 4WD (RHD)		ERH = 4.0L Power Tech	DDD = 5 Speed HD Manual
M = X				DG0 = Auto. Trans.
P = Sahara				DBB = Manual Trans.
S = Rubicon				DDK = 5 Speed Manual

AR = Use as required - = Non illustrated part # = New this model year

September 29, 2003

# Group – 2.4L

## Engine 2.4L Four Cylinder

### GROUP 2.4L - Engine 2.4L Four Cylinder

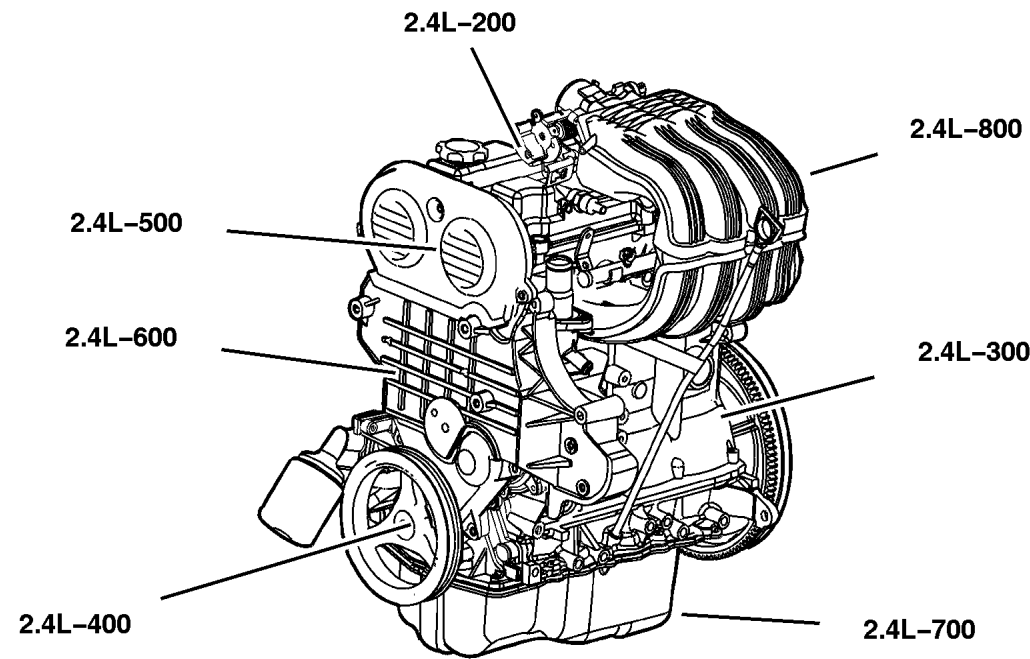


Illustration Title

Group-Fig. No.

#### Cylinder Head

Cylinder Head, 2.4L [ED1] ..... Fig. 2.4L-210

#### Cylinder Block

Cylinder Block, 2.4L [ED1] ..... Fig. 2.4L-310

#### Crankshaft, Piston, and Drive Plate

Crankshaft, Pistons and Flywheel, 2.4L [ED1] ..... Fig. 2.4L-410

#### Camshafts and Valves

Camshaft and Valves 2.4L [ED1] ..... Fig. 2.4L-510

#### Timing Belt and Cover

Timing Belt and Cover, 2.4L [ED1] ..... Fig. 2.4L-610

Balance Shafts, 2.4L [ED1] ..... Fig. 2.4L-620

#### Engine Oiling

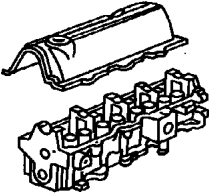
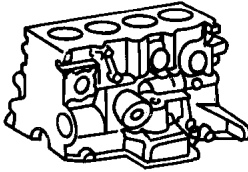
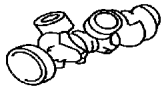
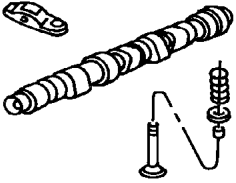
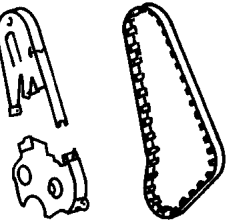
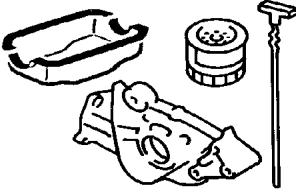
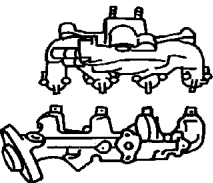
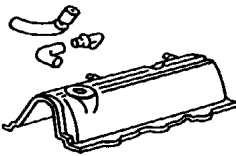
Engine Oiling, 2.4L [ED1] ..... Fig. 2.4L-710

#### Manifolds

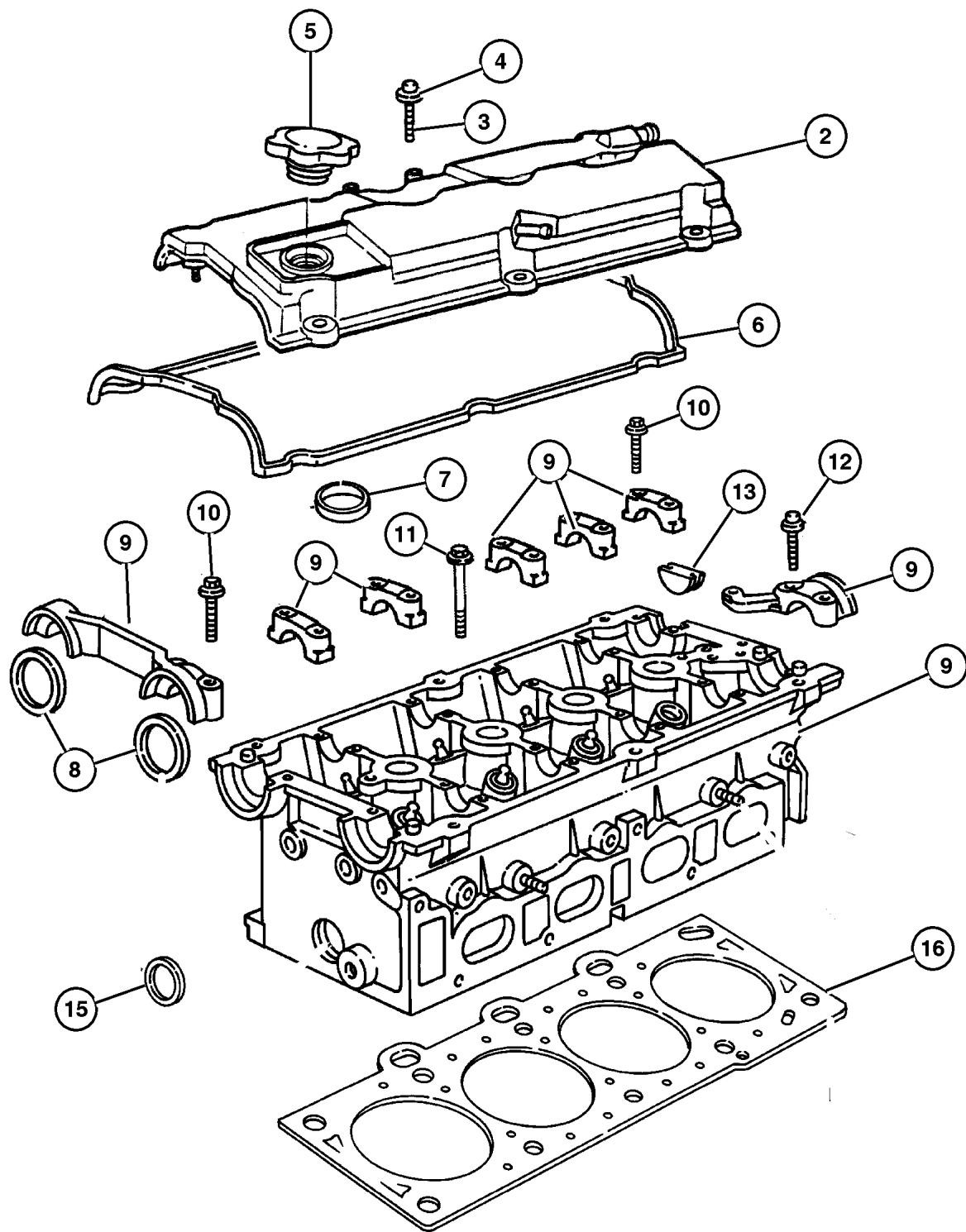
Intake and Exhaust Manifolds, 2.4L [ED1] ..... Fig. 2.4L-810

#### Crankcase Ventilation

Crankcase Ventilation, 2.4L [ED1] ..... Fig. 2.4L-910

<p><b>2.4L-200</b> Cylinder Head</p> 	<p><b>2.4L-300</b> Cylinder Block</p> 	<p><b>2.4L-400</b> Crankshaft, Piston, and Drive Plate</p> 	<p><b>2.4L-500</b> Camshafts and Valves</p> 
<p><b>2.4L-600</b> Timing Belt and Cover</p> 	<p><b>2.4L-700</b> Engine Oiling</p> 	<p><b>2.4L-800</b> Manifolds</p> 	<p><b>2.4L-900</b> Crankcase Ventilation</p> 

**Cylinder Head, 2.4L [ED1]  
Figure 2.4L-210**



ITEM	PART NUMBER	QTY	LINE	SERIES	BODY	ENGINE	TRANS	TRIM	DESCRIPTION
Note; Sales Codes									
[ED0]= All 2.2L,2.5L,2.4L, 4 Cylinder Gas Engines									
-1	5072 474AC	1				ED0			GASKET PACKAGE, Engine Upper
2	53010 493AC	1				ED0			COVER, Cylinder Head
3									SCREW, (NOT SERVICED) (Not Serviced)
4									ISOLATOR, Cylinder Head Cover, Grommet And Bolt
	4777 997AA	3				ED0			
	4884 292AA	2				ED0			
5	4648 831AA	1				ED0			CAP, Oil Filler
6	4777 478	1				ED0			GASKET, Valve Cover
7	4777 477	4				ED0			GASKET, Spark Plug Well
8	4777 086	2				ED0			SEAL, Camshaft, Front
9	#4667 088AD	1				ED0			HEAD, Cylinder
10	6100 918	18				ED0			BOLT, Hex Flange Head, M6x1.00x35
11	6504 033	10				ED0			BOLT, Cylinder Head
12	6101 527	6				ED0			SCREW, Hex Flange Head, M8x1.25x40
13	4667 731	1				ED0			PLUG, Camshaft, Half Round
-14	53010 521AA	1				ED0			PLUG, Camshaft, Round
15	4556 020	2				ED0			PLUG, Core, 1.25 Diameter
16	4884 407AA	1				ED0			GASKET, Cylinder Head

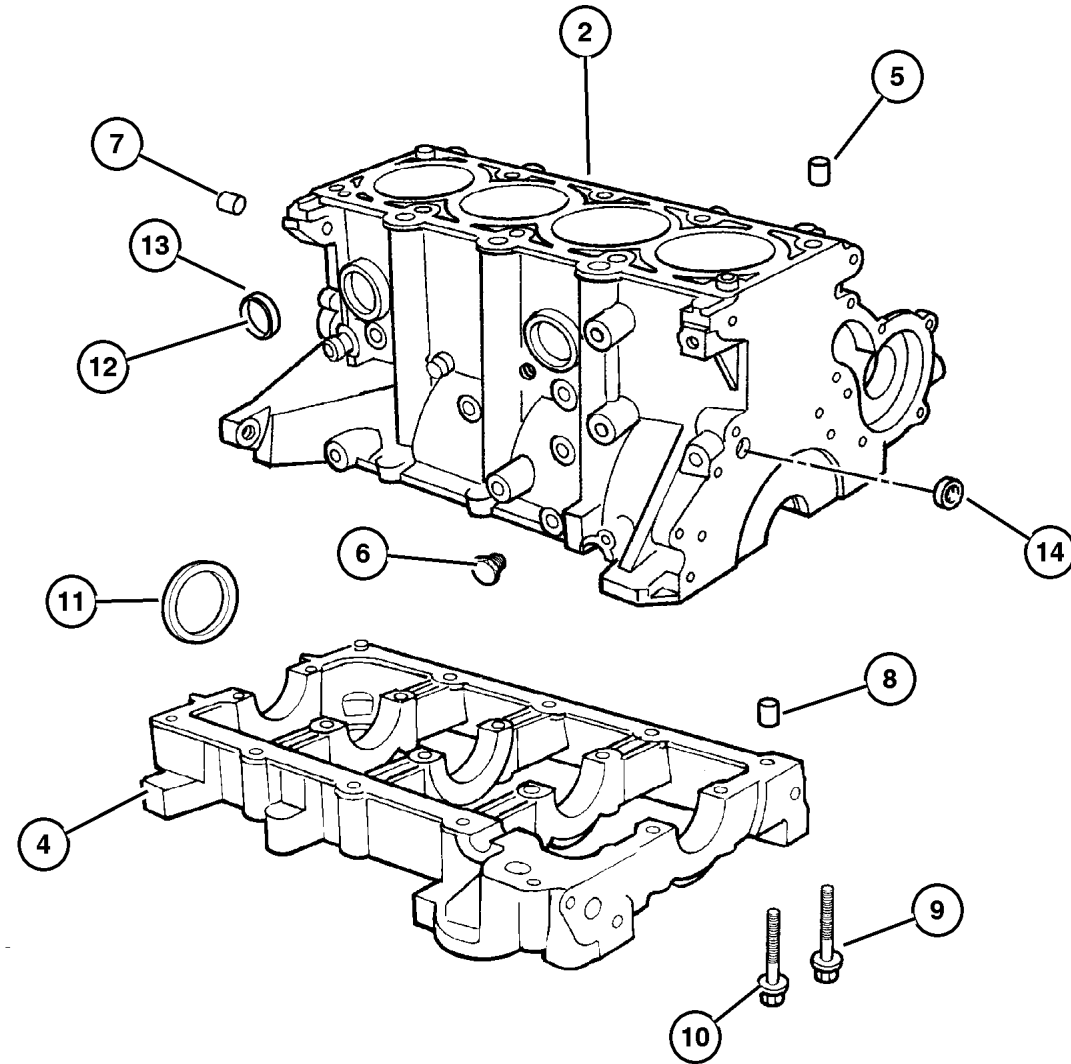
**JEEP WRANGLER (TJ)**

SERIES	LINE	BODY	ENGINE	TRANSMISSION
H = Sport	J = Wrangler 4WD	77 = 93.4 WB	ED1, ED0 = 2.4L DOHC	DGG, DGD = 32RH 3 Spd Auto
L = SE	U = Wrangler 4WD (RHD)		ERH = 4.0L Power Tech	DDD = 5 Speed HD Manual
M = X				DG0 = Auto. Trans.
P = Sahara				DBB = Manual Trans.
S = Rubicon				DDK = 5 Speed Manual

AR = Use as required - = Non illustrated part # = New this model year

September 29, 2003

**Cylinder Block, 2.4L [ED1]  
Figure 2.4L-310**



ITEM	PART NUMBER	QTY	LINE	SERIES	BODY	ENGINE	TRANS	TRIM	DESCRIPTION
Note; Sales Codes									
[ED0]= ALL 2.2L,2.5L,2.4L, 4 Cylinder Gas Engines									
-1	5072 475AA	1				ED0			GASKET PACKAGE, Engine Lower
2	#5134 136AA	1				ED0			BLOCK, Short
-3	6507 155AA	1				ED0			STUD, Double Ended
4									BEDPLATE, Serviced With Short Block Only, (NOT SERVICED) (Not Serviced)
5	4448 856	2				ED0			DOWEL, Block To Cylinder Head
6	6036 020AA	6				ED0			PLUG, Pipe
7	5240 849	2				ED0			DOWEL
8	4694 106	2				ED0			DOWEL, Engine Block To Bedplate
9	6503 387	10				ED0			BOLT, Main Bearing Cap
10	6504 257	9				ED0			BOLT, Hex Head, M8x1.25x70
11	4621 939AB	1				ED0			SEAL, Rear Main Crankshaft
12	4556 020	2				ED0			PLUG, Core, 1.25 Diameter
13	6034 804	4				ED0			PLUG, Core, 1.39 Diameter
14	4556 018AB	1				ED0			PLUG, Cylinder Block Oil Hole
-15	53013 486AA	2				ED0			BRACKET, Engine Lift
-16	6503 096	1				ED0			O RING, Engine Block Heater
-17	4557 686AB	1				ED0			HEATER, Engine Block
-18	56044 160AA	1				ED0			CORD, Engine Block Heater
-19	6034 331	1				ED0			PLUG, Hex Socket, 3/8-18NPTx.475, Block Water Drain

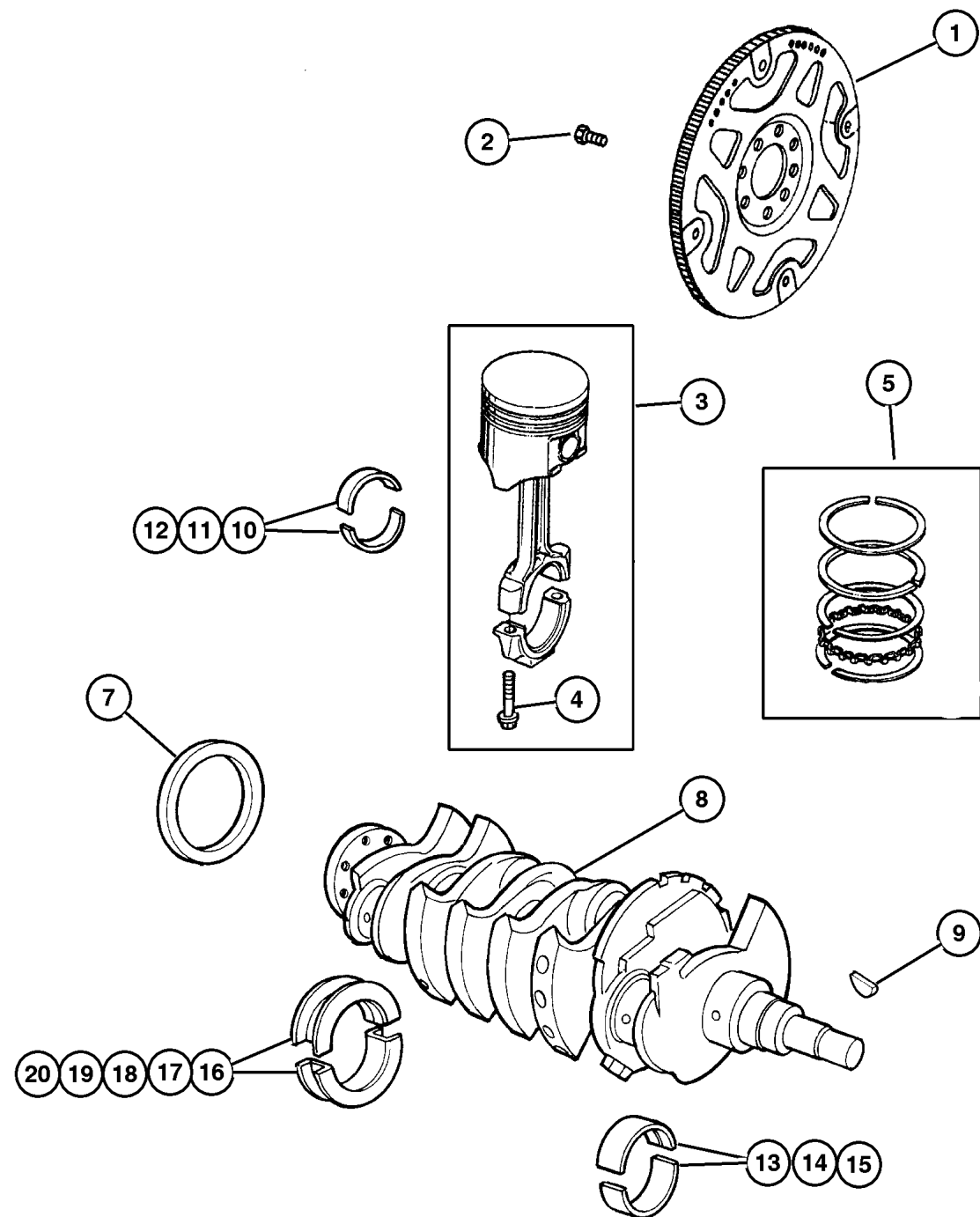
**JEEP WRANGLER (TJ)**

SERIES	LINE	BODY	ENGINE	TRANSMISSION
H = Sport	J = Wrangler 4WD	77 = 93.4 WB	ED1, ED0 = 2.4L DOHC	DGG, DGD = 32RH 3 Spd Auto
L = SE	U = Wrangler 4WD (RHD)		ERH = 4.0L Power Tech	DDD = 5 Speed HD Manual
M = X				DG0 = Auto. Trans.
P = Sahara				DBB = Manual Trans.
S = Rubicon				DDK = 5 Speed Manual

AR = Use as required - = Non illustrated part # = New this model year

September 29, 2003

## Crankshaft, Pistons and Flywheel, 2.4L [ED1] Figure 2.4L-410



ITEM	PART NUMBER	QTY	LINE	SERIES	BODY	ENGINE	TRANS	TRIM	DESCRIPTION
Note; Sales Codes									
[DBB]= All Manual Transmissions									
[ED0]= All 2.2L,2.5L, 2.4L, 4 Cylinder Gas Engines									
1	52104 578AA	1				ED0	DBB		FLYWHEEL
2	6507 240AA	8				ED0	DBB		SCREW
3	5066 565AA	4				ED0			PISTON PIN AND ROD
4	6503 116	8				ED0			BOLT, Connecting Rod
5	5073 524AA	1				ED0			PISTON RING SET, COMPLETE ENGINE, STD.
-6	5073 524AA	4				ED0			PISTON RING SET, COMPLETE ENGINE, STD.
7	4621 939AB	1				ED0			SEAL, Rear Main Crankshaft
8	4621 917	1				ED0			CRANKSHAFT
9	6035 473	1				ED0			KEY, Crankshaft Sprocket
10	5012 588AA	4				ED0			BEARING KIT, Connecting Rod, Standard
11	5012 589AA	AR				ED0			BEARING KIT, Connecting Rod, .025 mm U/S
12	5012 590AA	4				ED0			BEARING KIT, Connecting Rod, .25 mm U/S
13	5012 582AA	8				ED0			BEARING KIT, Crankshaft, Standard
14	52104 337AA	1				ED0	DBB		BEARING, Pilot
15	5012 584AA	4				ED0			BEARING KIT, Crankshaft, .25mm Undersize
16	5012 585AB	1				ED0			BEARING KIT, Crankshaft Thrust, Std
17	5012 587AB	2				ED0			BEARING KIT, Crankshaft Thrust, .25mm Undersize
18	5012 586AB	2				ED0			BEARING KIT, Crankshaft Thrust, .025mm Undersize
19	5012 584AA	4				ED0			BEARING KIT, Crankshaft, .25mm Undersize
20	5012 583AA	4				ED0			BEARING KIT, Crankshaft, .025mm Undersize

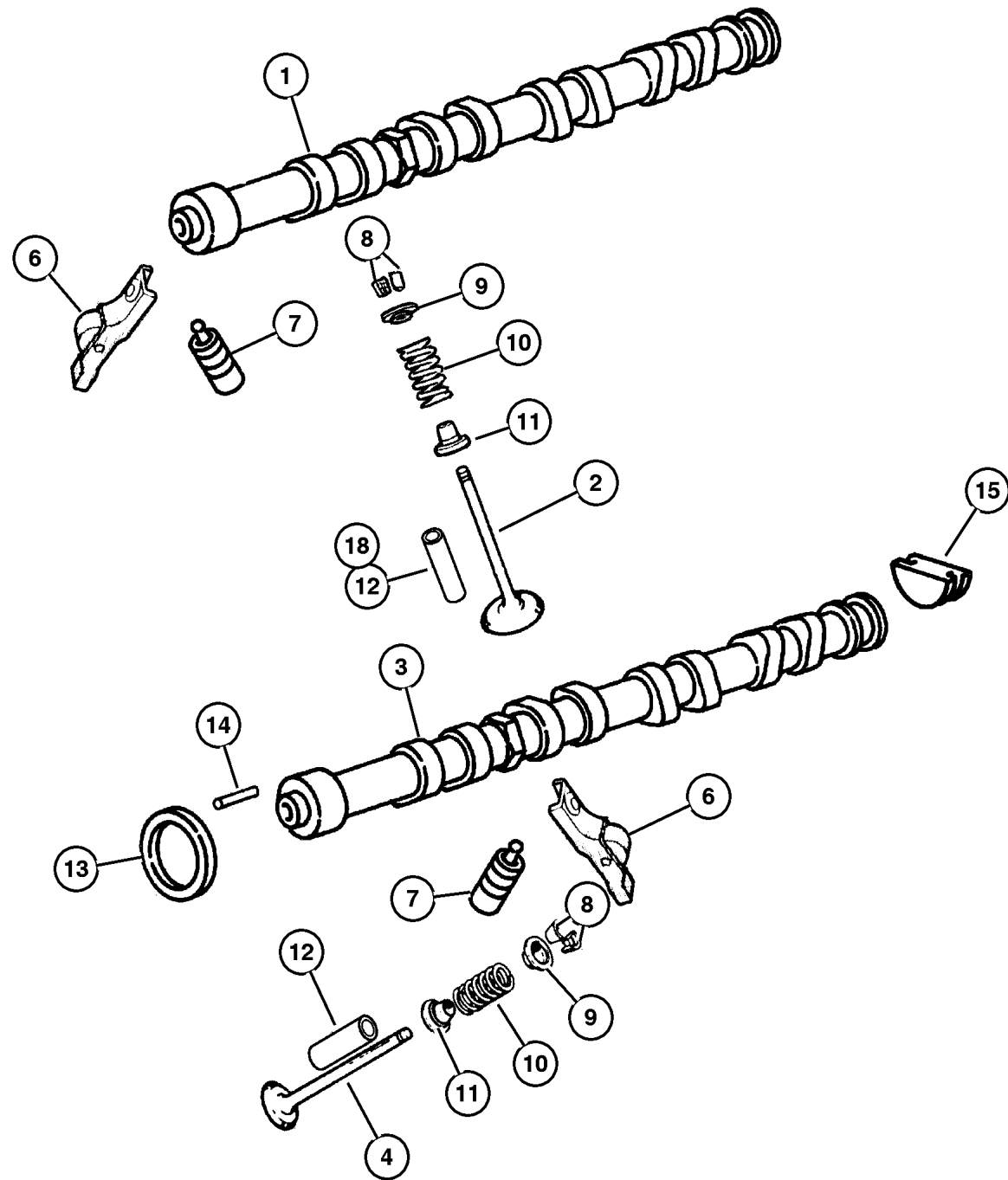
### JEEP WRANGLER (TJ)

SERIES	LINE	BODY	ENGINE	TRANSMISSION
H = Sport	J = Wrangler 4WD	77 = 93.4 WB	ED1, ED0 = 2.4L DOHC	DGG, DGD = 32RH 3 Spd Auto
L = SE	U = Wrangler 4WD (RHD)		ERH = 4.0L Power Tech	DDD = 5 Speed HD Manual
M = X				DG0 = Auto. Trans.
P = Sahara				DBB = Manual Trans.
S = Rubicon				DDK = 5 Speed Manual

AR = Use as required - = Non illustrated part # = New this model year

September 29, 2003

**Camshaft and Valves 2.4L [ED1]  
Figure 2.4L-510**



ITEM	PART NUMBER	QTY	LINE	SERIES	BODY	ENGINE	TRANS	TRIM	DESCRIPTION
Note; Sales Codes									
[ED!]= 2.4L, 4 Cylinder Gas Engines									
1	#4781 681AA	1				ED0			CAMSHAFT, Intake
2	4667 969AB	8				ED0			VALVE, Intake, Standard
3	4781 679AA	1				ED0			CAMSHAFT, Exhaust
4	4777 898AA	8				ED0			VALVE, Exhaust, Standard
-5	53010 549AA	1				ED0			RING, Tone
6	4884 042AA	16				ED0			ROCKER ARM, Valve Roller
7	4777 976AA	16				ED0			ADJUSTER, Valve Lash
8	53010 515AA	24				ER0			LOCK, Valve Spring Retainer
9	4648 682AB	16				ED0			RETAINER, Valve Spring
10	4621 530	16				ED0			SPRING, Valve
11	4648 619	16				ED0			SEAL, Valve Guide
12									GUIDE, Intake/Exhaust Valve, Standard Size, (NOT SERVICED) (Not Serviced)
13	4777 086	2				ED0			SEAL, Camshaft
14									PIN, Dowel
	6100 997	1				ED0			Exhaust Cam
	5203 466	2				ED0			
15	4667 731	1				ED0			PLUG, Camshaft
-16	4777 899AA	8				ED0			VALVE, Exhaust, .015" O/S
-17	4667 970AB	8				ED0			VALVE, Intake, .015" O/S
18	4667 411	16				ED0			GUIDE, Intake/Exhaust Valve, 7mm Oversize, [7MM O/D]

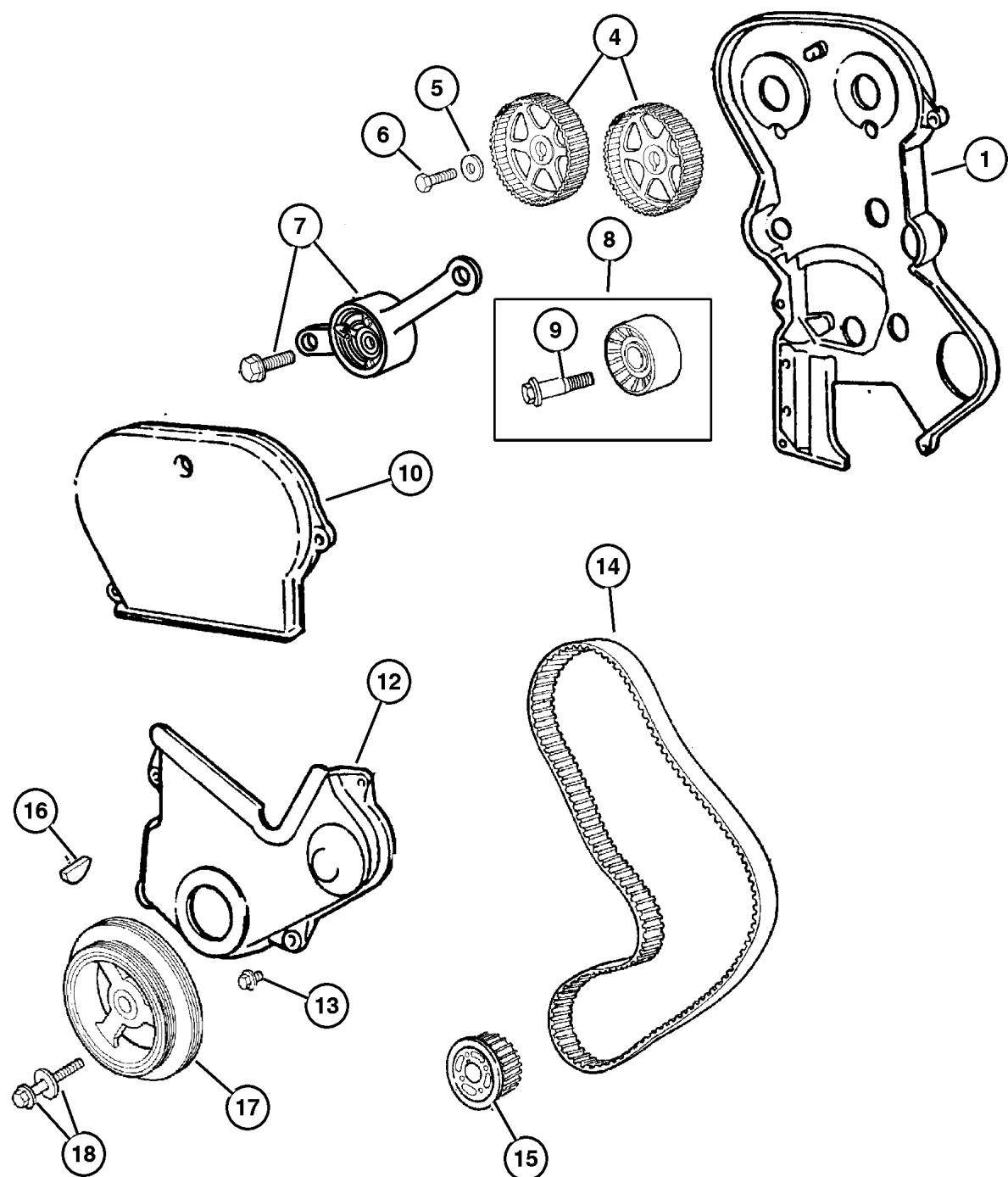
**JEEP WRANGLER (TJ)**

SERIES	LINE	BODY	ENGINE	TRANSMISSION
H = Sport	J = Wrangler 4WD	77 = 93.4 WB	ED1, ED0 = 2.4L DOHC	DGG, DGD = 32RH 3 Spd Auto
L = SE	U = Wrangler 4WD (RHD)		ERH = 4.0L Power Tech	DDD = 5 Speed HD Manual
M = X				DG0 = Auto. Trans.
P = Sahara				DBB = Manual Trans.
S = Rubicon				DDK = 5 Speed Manual

AR = Use as required - = Non illustrated part # = New this model year

September 29, 2003

## Timing Belt and Cover, 2.4L [ED1] Figure 2.4L-610

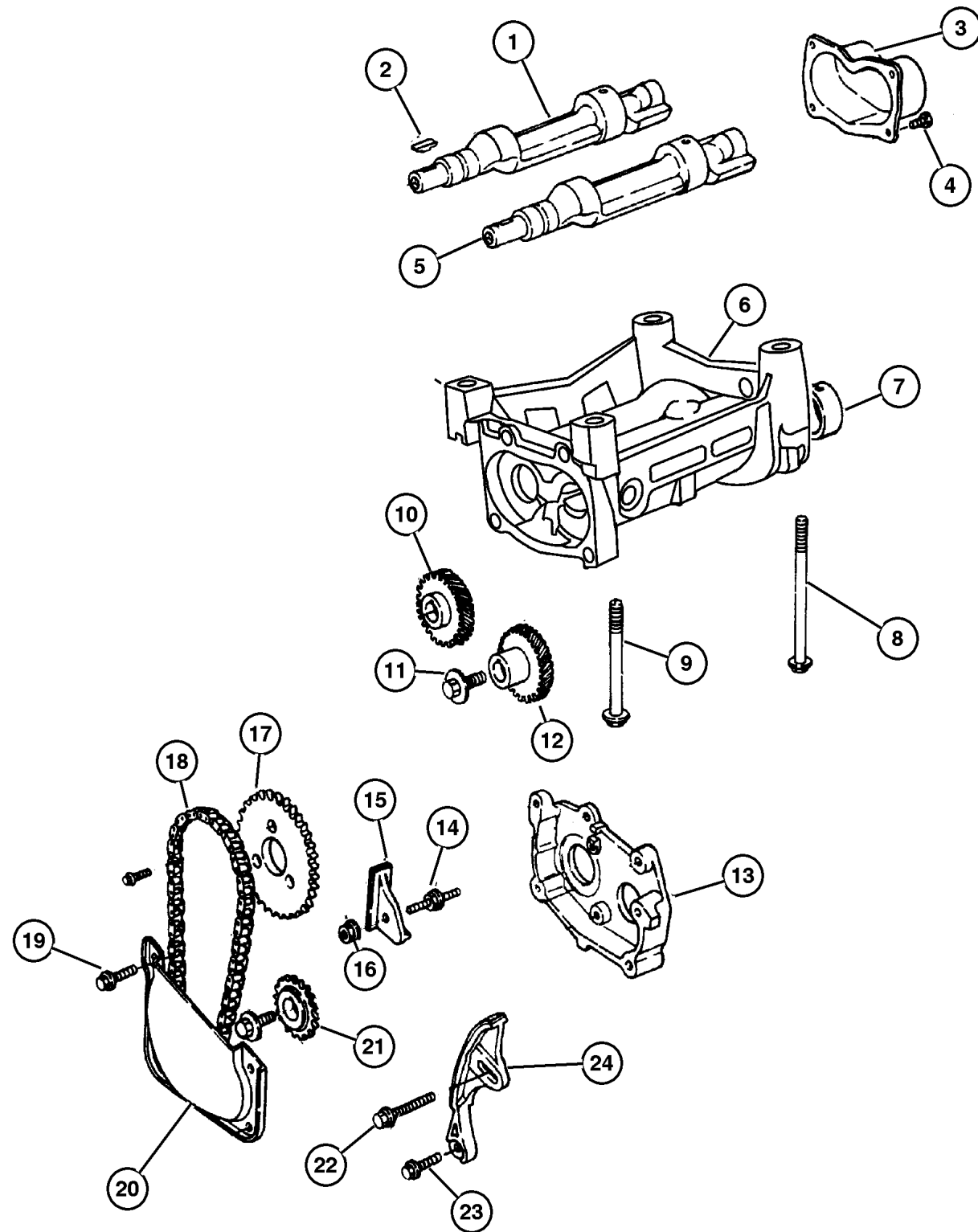


ITEM	PART NUMBER	QTY	LINE	SERIES	BODY	ENGINE	TRANS	TRIM	DESCRIPTION
Note; Sales Codes									
[ED1]=, 2.4L, 4 Cylinder Gas Engines									
1	#53010 482AC	1				ED0			COVER, Timing Belt
-2	6501 979	1							SCREW AND WASHER, Hex Head, M6x1x17
-3	6502 926	3				ED0			BOLT, Hex Flange Head, M6x1.0x20, Inner Cover Attach
4	4667 609	2				ED0			GEAR, Camshaft
5	6503 438	2				ED0			WASHER, Flared, 13x35.00x4.70
6	6501 405	2				ED0			BOLT, Hex Head, M12x1.50x52
7	#4781 570AB	1				ED0			TENSIONER, Belt
8	4781 569AB	1				ED0			PULLEY, Idler
9	6507 550AA	1				ED0			BOLT
10	#53010 483AB	1				ED0			COVER, Timing Belt, Outer
-11	6101 221	3				ED0			SCREW, Upper Cover Attach
12	#53010 484AB	1				ED0			COVER, Timing Belt
13	6101 331	1				ED0			BOLT, M6x1.00x20
14	4621 844	1				ED0			BELT, Timing
15	4648 939AA	1				ED0			GEAR, Crankshaft
16	6035 473	1				ED0			KEY, Crankshaft Sprocket
17	53010 477AA	1				ED0			DAMPER, Crankshaft
18	6503 553	1				ED0			BOLT, Hex Flange Head, M12x1.75x87.50

<b>JEEP WRANGLER (TJ)</b>				
SERIES	LINE	BODY	ENGINE	TRANSMISSION
H = Sport	J = Wrangler 4WD	77 = 93.4 WB	ED1, ED0 = 2.4L DOHC	DGG, DGD = 32RH 3 Spd Auto
L = SE	U = Wrangler 4WD (RHD)		ERH = 4.0L Power Tech	DDD = 5 Speed HD Manual
M = X				DG0 = Auto. Trans.
P = Sahara				DBB = Manual Trans.
S = Rubicon				DDK = 5 Speed Manual



**Balance Shafts, 2.4L [ED1]  
Figure 2.4L-620**



ITEM	PART NUMBER	QTY	LINE	SERIES	BODY	ENGINE	TRANS	TRIM	DESCRIPTION
Note; Sales Codes									
[ED1]= 2.4L, 4 Cylinder Gas Engines									
1	4621 517	1				ED0			SHAFT, Balance, Driver
2	6500 150	2				ED0			KEY, Crankshaft Sprocket
3	4323 043	1				ED0			COVER, Balance Shaft Carrier
4	6101 452	4				ED0			SCREW AND WASHER, Hex Head, M8x1.25x20
5	4621 518	1				ED0			SHAFT, Balance, Driven
6	4621 519AC	1				ED0			CARRIER, Balance Shaft
7									BEARING, Balance Shaft, Sevised With Carrier, Item 6, (NOT SERVICED) (Not Serviced)
8	6504 878AA	2				ED0			BOLT
9	6503 389	2				ED0			BOLT, Hex Flange Head, M10x1.50x108
10	4621 952	1				ED0			GEAR, Balance Shaft Driver
11	6501 404	2				ED0			SCREW AND WASHER, Hex Head, M8x1.25x25
12	4621 951	1				ED0			GEAR, Balance Shaft Driven
13	4323 039	1				ED0			COVER, Balance Shaft Gear
14	6505 188AA	1				ED0			STUD, M6x1.00x40.00
15	#4884 472AA	1				ED0			GUIDE, Balance Shaft Chain
16	6100 047	1				ED0			NUT AND WASHER, Hex Nut-Coned Washer, M6 x 1.00
17	4621 541	1				ED0			GEAR, Crankshaft
18	4621 996	1				ED0			CHAIN, Balance Shaft
19	6100 271	2				ED0			BOLT AND CONED WASHER, Hex Head, M6x45x12.5
20	4323 041AD	1				ED0			TROUGH, Carrier Cover
21	4483 485	1				ED0			GEAR, Balance Shaft
22	6100 279	1				ED0			SCREW AND WASHER, Hex Head, M6x1x35
23	6506 492AA	1				ED0			SCREW
24	4343 662	1				ED0			TENSIONER, Chain

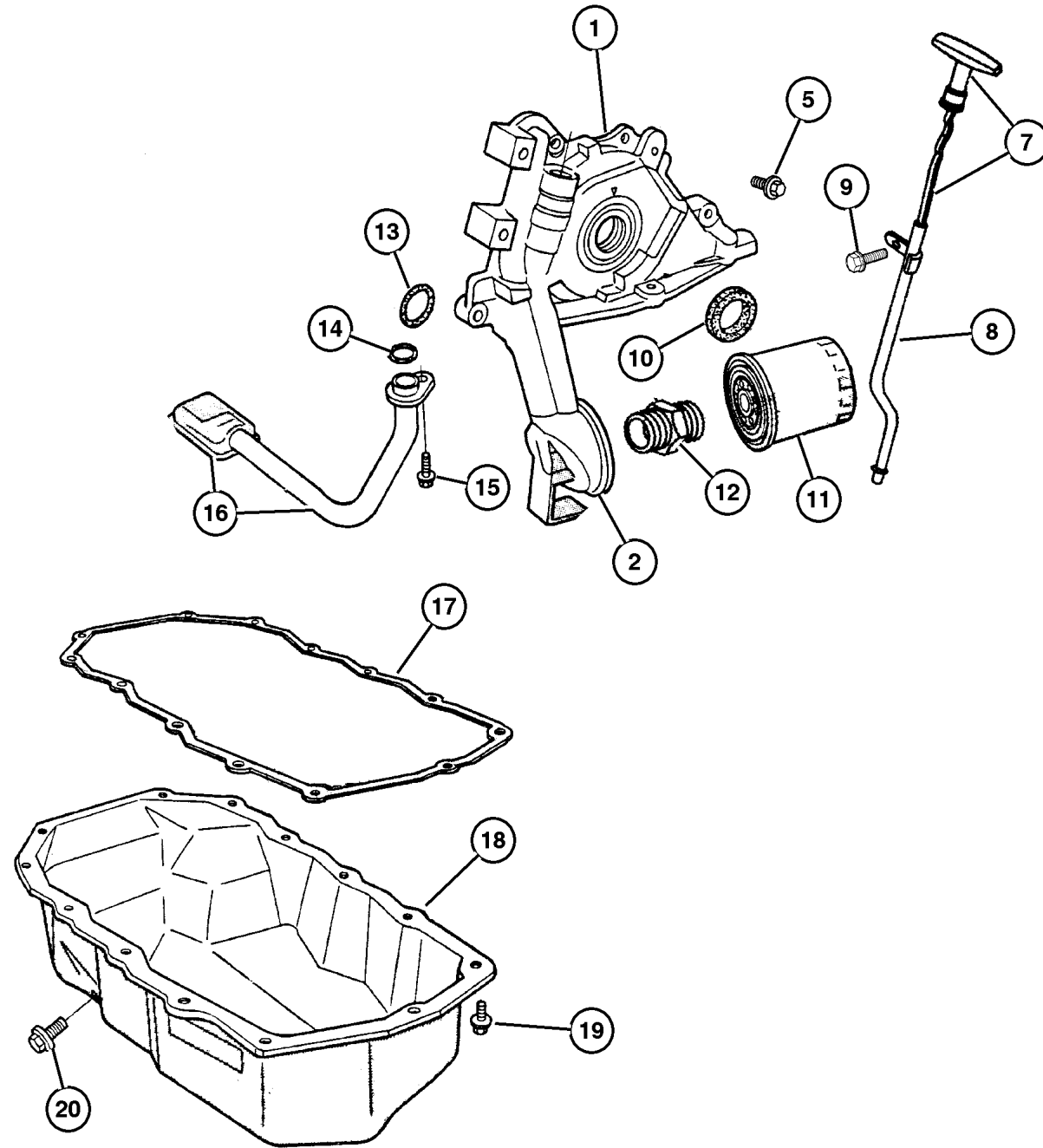
**JEEP WRANGLER (TJ)**

SERIES	LINE	BODY	ENGINE	TRANSMISSION
H = Sport	J = Wrangler 4WD	77 = 93.4 WB	ED1, ED0 = 2.4L DOHC	DGG, DGD = 32RH 3 Spd Auto
L = SE	U = Wrangler 4WD (RHD)		ERH = 4.0L Power Tech	DDD = 5 Speed HD Manual
M = X				DG0 = Auto. Trans.
P = Sahara				DBB = Manual Trans.
S = Rubicon				DDK = 5 Speed Manual

AR = Use as required - = Non illustrated part # = New this model year

September 29, 2003

**Engine Oiling, 2.4L [ED1]  
Figure 2.4L-710**



ITEM	PART NUMBER	QTY	LINE	SERIES	BODY	ENGINE	TRANS	TRIM	DESCRIPTION
Note; Sales Codes									
[ED1]= All 2.4L, 4 Cylinder Gas Engines									
1	53010 487AA	1				ED0			PUMP, Engine Oil
2	#53010 507AA	1				ED0			ADAPTER, Oil Filter
-3									GUARD, Splash, (NOT REQUIRED)
-4									NUT, (NOT REQUIRED)
5	6100 296	3				ED0			BOLT, Hex Head
-6	6503 257	4				ED0			BOLT, Hex Head, M8x1.25x37.50, Oil Pump And Timing Cover To Block
7	53010 494AC	1				ED0			INDICATOR, Engine Oil Level
8	53010 476AB	1				ED0			TUBE, Oil Filler
9	6505 788AA	1				ED0			STUD
10	4667 198	1				ED0			SEAL, Front Main Crankshaft
11	4105 409	1				ED0			FILTER, Engine Oil
12	4694 119	1				ED0			CONNECTOR, Oil Filter Adapter
13	4483 444AB	3				ED0			O RING, Front Cover Oil Inlet
14	6032 920	1				ED0			SEAL, Oil Pick Up Tube
15	6500 070	1				ED0			SCREW AND WASHER, Hex Head, M8x1.25x25
16	53010 488AA	1				ED0			TUBE, Oil Pickup
17	4621 579	1				ED0			GASKET, Oil Pan
18	53010 491AA	1				ED0			PAN, Engine Oil
19	6503 969	11				ED0			BOLT, Hex Flange Head, M6x1. 00x17
20	6035 417	1				ED0			PLUG, Oil Drain

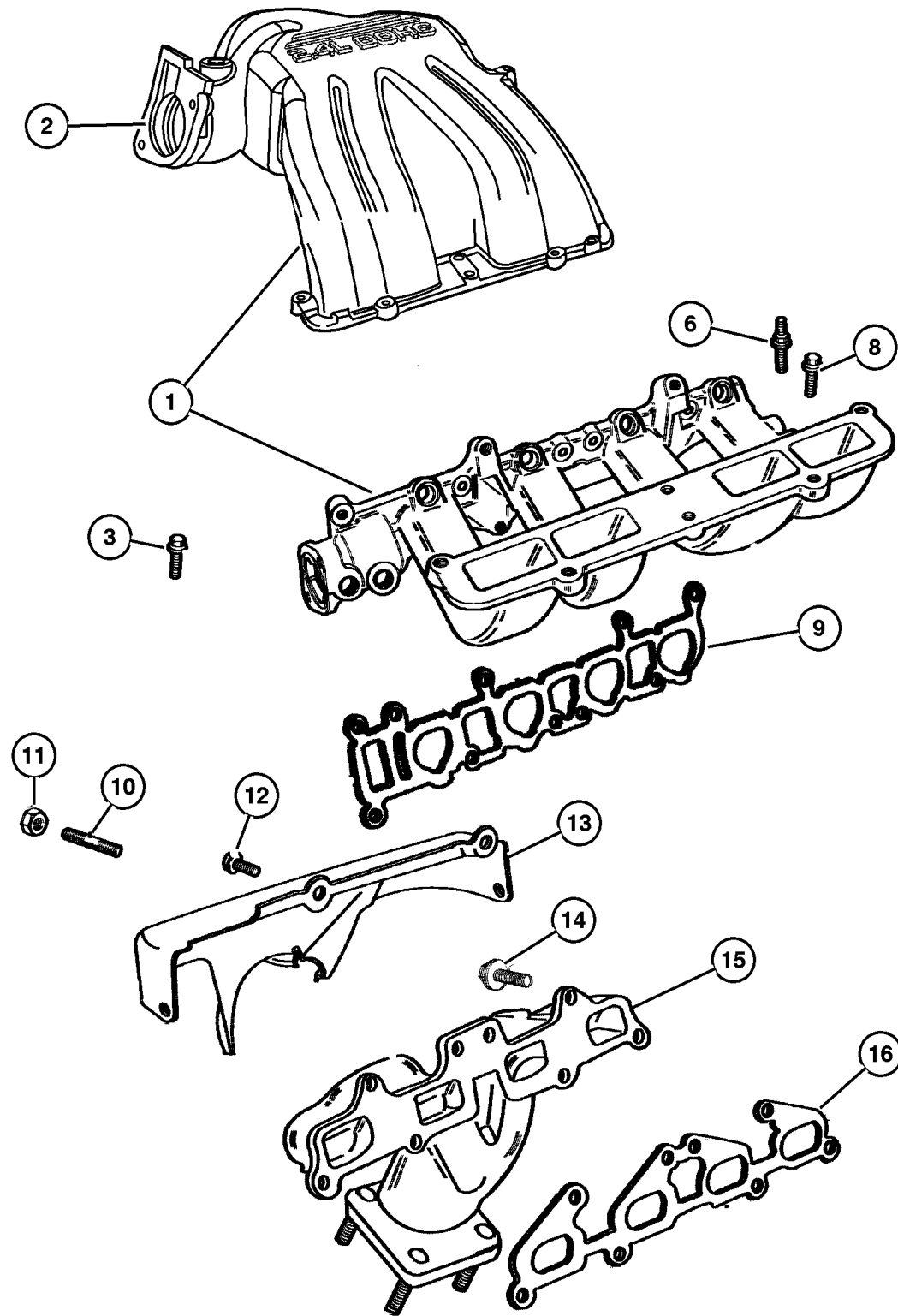
**JEEP WRANGLER (TJ)**

SERIES	LINE	BODY	ENGINE	TRANSMISSION
H = Sport	J = Wrangler 4WD	77 = 93.4 WB	ED1, ED0 = 2.4L DOHC	DGG, DGD = 32RH 3 Spd Auto
L = SE	U = Wrangler 4WD (RHD)		ERH = 4.0L Power Tech	DDD = 5 Speed HD Manual
M = X				DG0 = Auto. Trans.
P = Sahara				DBB = Manual Trans.
S = Rubicon				DDK = 5 Speed Manual

AR = Use as required - = Non illustrated part # = New this model year

September 29, 2003

**Intake and Exhaust Manifolds, 2.4L [ED1]  
Figure 2.4L-810**



ITEM	PART NUMBER	QTY	LINE	SERIES	BODY	ENGINE	TRANS	TRIM	DESCRIPTION
Note; Sales Codes									
[ED1]= 2.4L, 4 Cylinder Gas Engines									
1	#53013 249AD	1				ED0			MANIFOLD, Intake
2	53013 533AA	1				ED0			GASKET, Throttle Body To Intake
3	6101 451	3				ED0			SCREW AND WASHER, Hex Head, M6x1x25
-4	6102 192AA	1				ED0			SCREW, Intake Manifold
-5	6101 506	2				ED0			BOLT AND CONED WASHER, M8x1.25x18
6	6504 171	3				ED0			SCREW, Hex Flange Head, M8x1. 25x32
-7	6101 452	2				ED0			SCREW AND WASHER, Hex Head, M8x1.25x20
8	6506 770AA	5				ED0			SCREW
9	53013 534AA	4				ED0			GASKET, Intake Manifold
10	6504 170	2				ED0			STUD, M8x1.25x44.80
11	6500 363	2				ED0			NUT, Hex Flange Lock, M8x1.25
12	6506 663AA	3				ED0			SCREW, Hex Flange Head, M8x1. 25x11, Heat Shield Mounting
13	53013 264AA	1				ED0			SHIELD, Exhaust Manifold
14	6503 131	8				ED0			BOLT, Hex Flange Head, M8x1. 25x30
15	53013 263AB	1				ED0			MANIFOLD, Exhaust
16	4781 255AA	1				ED0			GASKET, Exhaust Manifold

**JEEP WRANGLER (TJ)**

SERIES	LINE	BODY	ENGINE	TRANSMISSION
H = Sport	J = Wrangler 4WD	77 = 93.4 WB	ED1, ED0 = 2.4L DOHC	DGG, DGD = 32RH 3 Spd Auto
L = SE	U = Wrangler 4WD (RHD)		ERH = 4.0L Power Tech	DDD = 5 Speed HD Manual
M = X				DG0 = Auto. Trans.
P = Sahara				DBB = Manual Trans.
S = Rubicon				DDK = 5 Speed Manual

AR = Use as required - = Non illustrated part # = New this model year

September 29, 2003

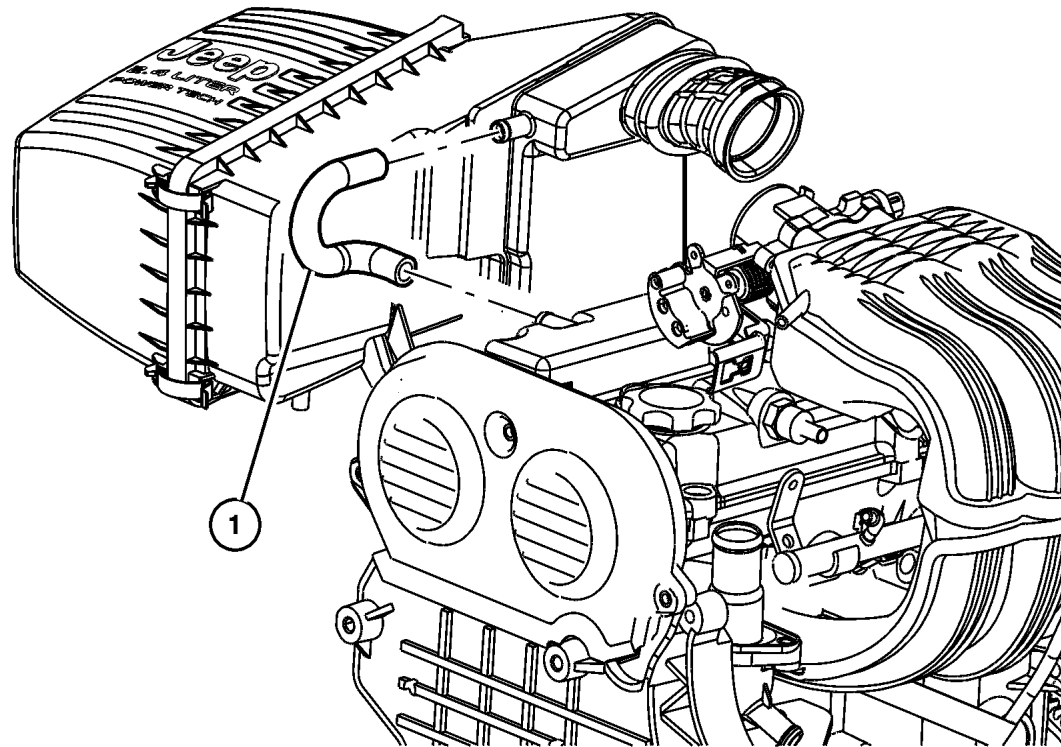
**Crankcase Ventilation, 2.4L [ED1]  
Figure 2.4L-910**

ITEM	PART NUMBER	QTY	LINE	SERIES	BODY	ENGINE	TRANS	TRIM	DESCRIPTION
------	-------------	-----	------	--------	------	--------	-------	------	-------------

Note; Sales Codes

[ED1]= 2.4L, 4 Cylinder Gas Engines

1	53013 093AA	1				ED0			TUBE, Crankcase Vent To Air Cleaner
-2	4884 249AA	1				ED0			VALVE, PCV



**JEEP WRANGLER (TJ)**

SERIES	LINE	BODY	ENGINE	TRANSMISSION
H = Sport	J = Wrangler 4WD	77 = 93.4 WB	ED1, ED0 = 2.4L DOHC	DGG, DGD = 32RH 3 Spd Auto
L = SE	U = Wrangler 4WD (RHD)		ERH = 4.0L Power Tech	DDD = 5 Speed HD Manual
M = X				DG0 = Auto. Trans.
P = Sahara				DBB = Manual Trans.
S = Rubicon				DDK = 5 Speed Manual

AR = Use as required - = Non illustrated part # = New this model year

September 29, 2003

# Group – 4.0L

## Engine 4.0L Six Cylinder

### GROUP 4.0L - Engine 4.0L Six Cylinder

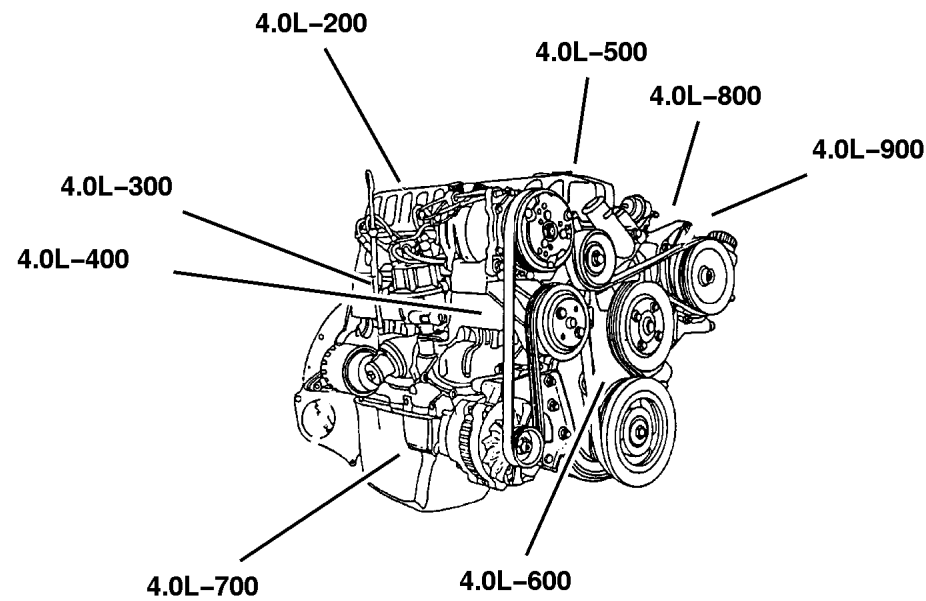


Illustration Title

Group-Fig. No.

#### Cylinder Head

Cylinder Head, 4.0 (ERH) ..... Fig. 4.0L-210

#### Cylinder Block

Cylinder Block, 4.0 (ERH) ..... Fig. 4.0L-310

#### Crankshaft, Piston and Torque Converter

Crankshaft, Piston and Torque Converter, 4.0 (ERH) ..... Fig. 4.0L-410

#### Camshafts & Valves

Camshaft and Valves, 4.0 (ERH) ..... Fig. 4.0L-510

#### Timing Belt and Cover

Timing Cover, 4.0 (ERH) ..... Fig. 4.0L-610

#### Engine Oiling

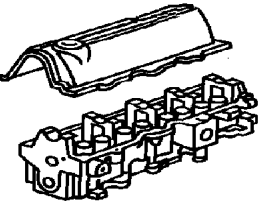
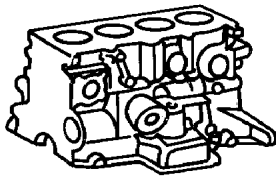
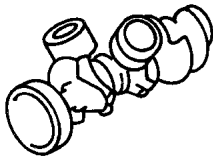
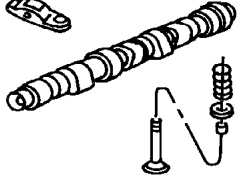
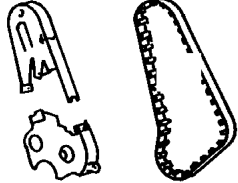
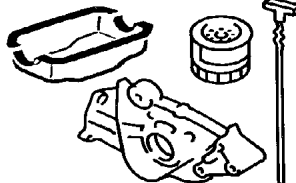
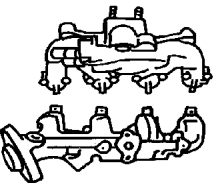
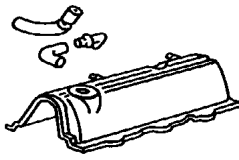
Engine Oiling, 4.0 (ERH) ..... Fig. 4.0L-710

#### Manifolds

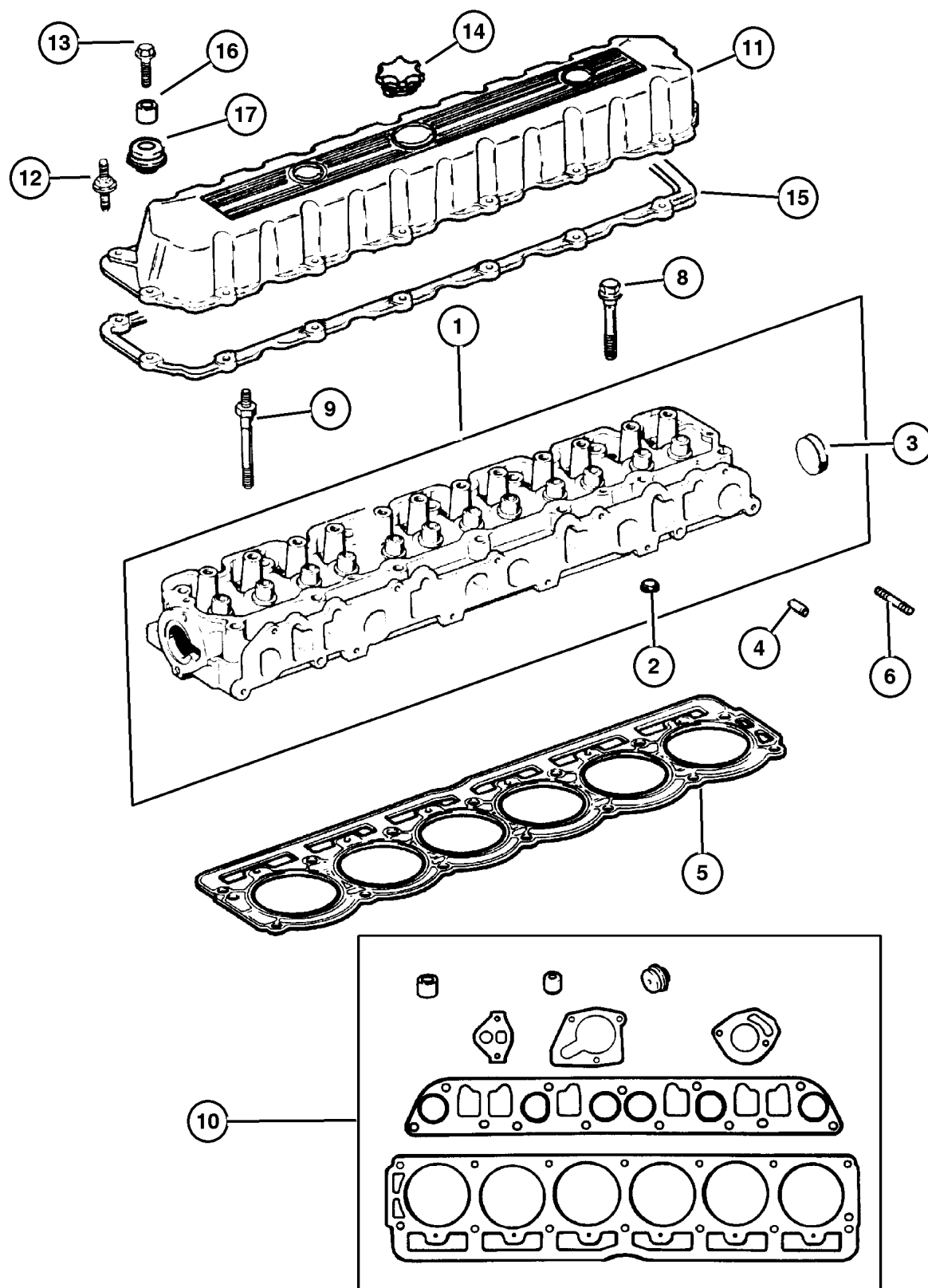
Manifold, Intake and Exhaust ..... Fig. 4.0L-810

#### Crankcase Ventilation

Crankcase Ventilation, 4.0 (ERH) ..... Fig. 4.0L-910

<p><b>4.0L-200</b> Cylinder Head</p> 	<p><b>4.0L-300</b> Cylinder Block</p> 	<p><b>4.0L-400</b> Crankshaft, Piston and Torque Converter</p> 	<p><b>4.0L-500</b> Camshafts &amp; Valves</p> 
<p><b>4.0L-600</b> Timing Belt and Cover</p> 	<p><b>4.0L-700</b> Engine Oiling</p> 	<p><b>4.0L-800</b> Manifolds</p> 	<p><b>4.0L-900</b> Crankcase Ventilation</p> 

**Cylinder Head, 4.0 (ERH)  
Figure 4.0L-210**



ITEM	PART NUMBER	QTY	LINE	SERIES	BODY	ENGINE	TRANS	TRIM	DESCRIPTION
NOTE: ER0=All 4.0L Engines DBB=All Manual Transmissions DG0=All Automatic Transmissions									
1	5301 0334	1				ER0			HEAD, Cylinder
2	J400 7434	4				ER0			PLUG, Cylinder Block Oil Hole
3	J310 5394	1				ER0			PLUG, Cylinder Block Oil Hole
4	J317 2318	2				ER0			DOWEL, Cylinder Head To Intake
5	53020 754AB	1				ER0			GASKET, Cylinder Head
6	6036 193AA	2				ER0			STUD, .375-16/.375-24x1.75
-7	6036 162AA	1				ER0			STUD, Double Ended, [.500-13/.437-14x6.00]
8									BOLT, Cylinder Head
	6035 514	5				ER0			
	6035 515	2				ER0			
9	6035 516	6				ER0			STUD, Double Ended, .50-13/.437-14x6.00
10	5012 365AC	1				ER0			GASKET PACKAGE, Engine Upper COVER, Cylinder Head
11	5302 0323	1				ER0			COVER, Cylinder Head
12	6035 968AA	8				ER0			STUD, .250-20x2.00
13	6035 566	7				ER0			BOLT, Hex Flange Head, .250-20x1.00
14	4648 831AA	1				ER0			CAP, Oil Filler
15	53020 758AC	1				ER0			GASKET, Valve Cover
16	53020 598AB	15				ER0			SLEEVE, Torque Limiter
17	5301 0424	15				ER0			GROMMET, Insulator

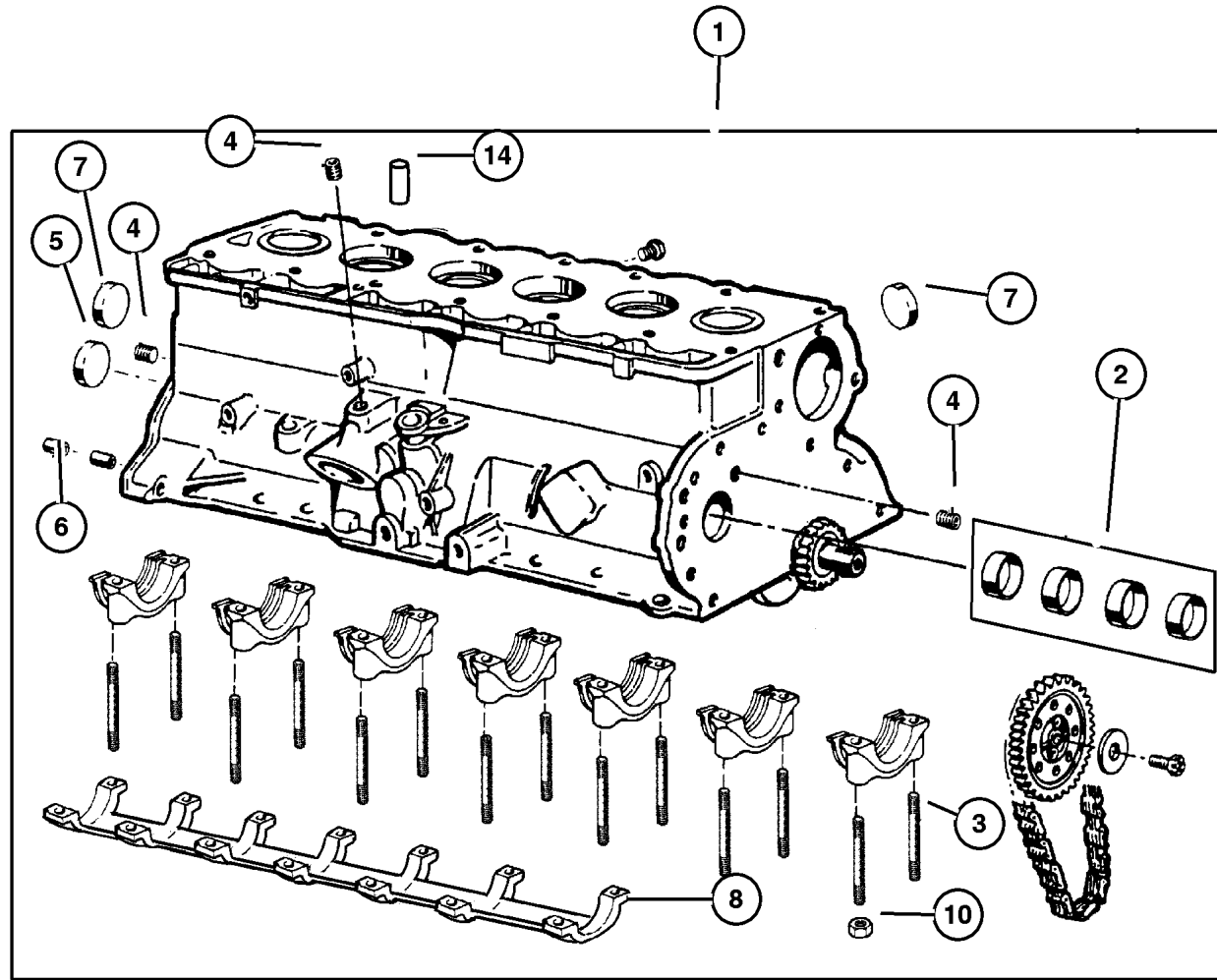
**JEEP WRANGLER (TJ)**

SERIES	LINE	BODY	ENGINE	TRANSMISSION
H = Sport	J = Wrangler 4WD	77 = 93.4 WB	ED1, ED0 = 2.4L DOHC	DGG, DGD = 32RH 3 Spd Auto
L = SE	U = Wrangler 4WD (RHD)		ERH = 4.0L Power Tech	DDD = 5 Speed HD Manual
M = X				DG0 = Auto. Trans.
P = Sahara				DBB = Manual Trans.
S = Rubicon				DDK = 5 Speed Manual

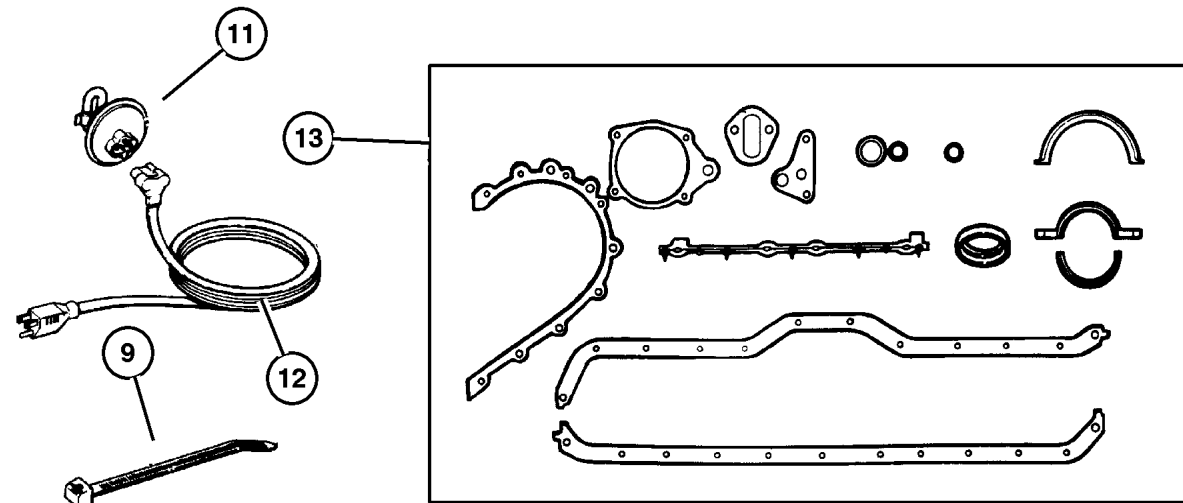
AR = Use as required - = Non illustrated part # = New this model year

September 29, 2003

**Cylinder Block, 4.0 (ERH)  
Figure 4.0L-310**



ITEM	PART NUMBER	QTY	LINE	SERIES	BODY	ENGINE	TRANS	TRIM	DESCRIPTION
NOTE: Short Block contains: Crank, Rods, Pistons, Rings, Cam Bearings, Timing Chain, Sprockets									
Sales Codes: [ER0] = All 4.0L Engines									
1	5013 161AC	1				ER0			BLOCK, Short, See notes Up to 6-30-03
	#5013 161AD	1				ER0			After 6-30-03
2	4636 985AB	1				ER0			BEARING PACKAGE, Camshaft, Standard Size Up to 6-30-03
	4636 985AC	1				ER0			After 6-30-03
3	6035 207	14				ER0			STUD, .500-13/.375-16x3.97
4	6034 166	3				ER0			PLUG, Cylinder Block Oil Hole
	J420 0413	2				ER0			
5	J317 2313	1				ER0			PLUG, Camshaft
6	J400 5148	2				ER0			DOWEL, Transmission
7	J310 5394	6				ER0			PLUG, Cylinder Block Oil Hole
8	5302 0566	1				ER0			BRACE, Main Bearing Cap
9	4641 780	3				ER0			STRAP, Tie
10	0152 474	14				ER0			NUT, Hex Flange Lock, .375-16
11	8220 1506	1				ER0			HEATER PACKAGE, Engine Block
12	5601 6834	1				ER0			CORD, Engine Block Heater
13	5017 432AB	1				ER0			GASKET PACKAGE, Engine Lower
14	0141 215	2				ER0			DOWEL, .312 x .500
-15	5302 0465	1				ER0			PLUG, Cylinder Block, Rubber Style Plug



<b>JEEP WRANGLER (TJ)</b>				
SERIES	LINE	BODY	ENGINE	TRANSMISSION
H = Sport	J = Wrangler 4WD	77 = 93.4 WB	ED1, ED0 = 2.4L DOHC	DGG, DGD = 32RH 3 Spd Auto
L = SE	U = Wrangler 4WD (RHD)		ERH = 4.0L Power Tech	DDD = 5 Speed HD Manual
M = X				DG0 = Auto. Trans.
P = Sahara				DBB = Manual Trans.
S = Rubicon				DDK = 5 Speed Manual

AR = Use as required - = Non illustrated part # = New this model year

September 29, 2003

**Crankshaft, Piston and Torque Converter, 4.0 (ERH)  
Figure 4.0L-410**

ITEM	PART NUMBER	QTY	LINE	SERIES	BODY	ENGINE	TRANS	TRIM	DESCRIPTION
------	-------------	-----	------	--------	------	--------	-------	------	-------------

**NOTE:**

Sales Codes  
[ER0] = All 4.0L Engines

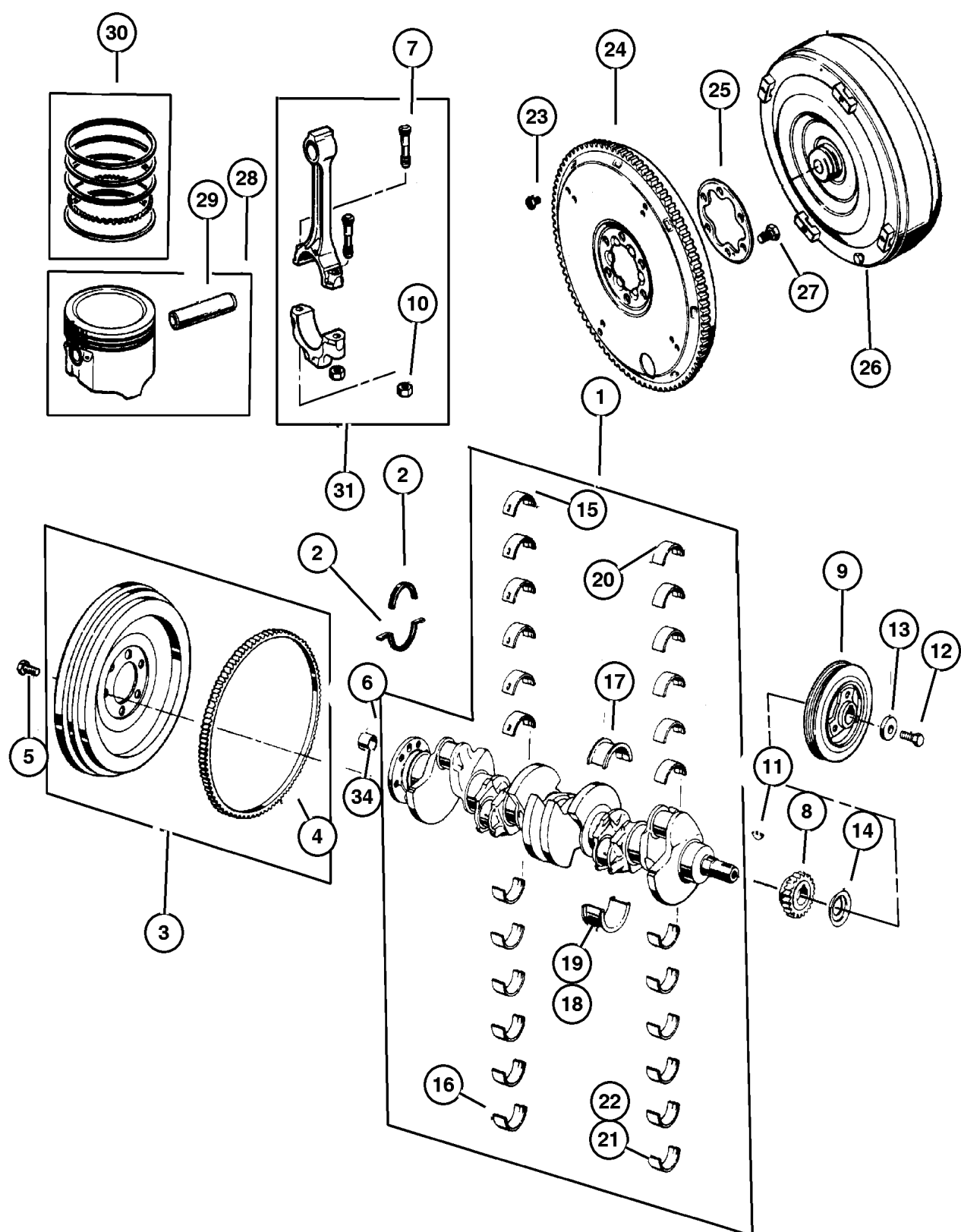
1									CRANKSHAFT
	#4864 726AC	1				ER0			Up to 6-30-03
	#4864 726AD	1				ER0			After 6-30-03
2	5018 594AA	1				ER0			SEAL PACKAGE, Crankshaft
3	53020 519AB	1				ER0	DBB		FLYWHEEL
4	J317 9741	1				ER0	DBB		GEAR, Ring
5	J317 0524	6				ER0	DBB		BOLT, Flywheel
6	53009 180AB	1				ER0	DBB		BEARING, Pilot, Sleeve and Bearing
7	5302 0123	12				ER0			BOLT, Connecting Rod
8	5302 0443	1				ER0			GEAR, Crankshaft
9	33002 920AB	1				ER0			DAMPER, Crankshaft
10	J400 6385	12				ER0			NUT, Hex Flange, .3437-24
11	6034 749	1				ER0			KEY, Crankshaft Sprocket
12	0182 776	1				ER0			BOLT
13	J323 0155	1				ER0			WASHER, Plain
14									SLINGER, Oil, (NOT REQUIRED)
15									BEARING PACKAGE, Crankshaft, Standard
	8350 7079	6				ER0			Up to 6-30-03
	83507 079AB	6				ER0			After 6-30-03
16									BEARING PACKAGE, Crankshaft, .001 Undersize
	8350 7080	AR				ER0			Up to 6-30-03
	83507 080AB	AR				ER0			After 6-30-03
17									BEARING PACKAGE, Crankshaft Thrust, Standard Size
	8350 7084	1				ER0			Up to 6-30-03
	83507 084AB	1				ER0			After 6-30-03
18									BEARING PACKAGE, Crankshaft Thrust, .001" Undersize
	8350 7086	AR				ER0			Up to 6-30-03
	#83507 086AB	AR				ER0			After 6-30-03
19									BEARING PACKAGE, Crankshaft, .002" U/S
	8350 7081	AR				ER0			Up to 6-30-03
	#83507 081AB	AR				ER0			After 6-30-03
20									BEARING KIT, Connecting Rod, Standard

**JEEP WRANGLER (TJ)**

<b>SERIES</b>	<b>LINE</b>	<b>BODY</b>	<b>ENGINE</b>	<b>TRANSMISSION</b>
H = Sport	J = Wrangler 4WD	77 = 93.4 WB	ED1, ED0 = 2.4L DOHC	DGG, DGD = 32RH 3 Spd Auto
L = SE	U = Wrangler 4WD (RHD)		ERH = 4.0L Power Tech	DDD = 5 Speed HD Manual
M = X				DG0 = Auto. Trans.
P = Sahara				DBB = Manual Trans.
S = Rubicon				DDK = 5 Speed Manual

AR = Use as required - = Non illustrated part # = New this model year

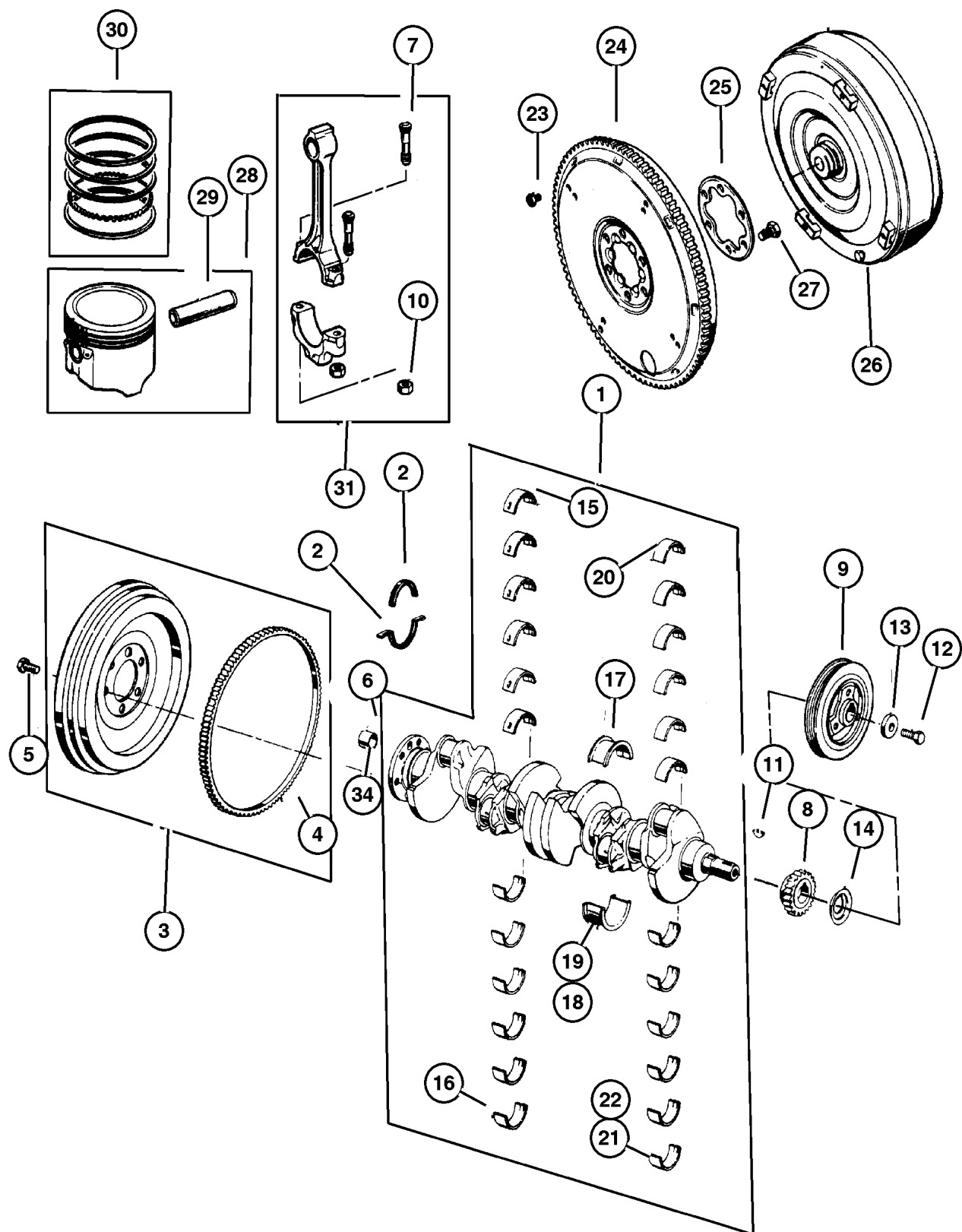
September 29, 2003





**Crankshaft, Piston and Torque Converter, 4.0 (ERH)**  
**Figure 4.0L-410**

ITEM	PART NUMBER	QTY	LINE	SERIES	BODY	ENGINE	TRANS	TRIM	DESCRIPTION
	83500 300AB	6				ER0			Up to 6-30-03
	83500 300AC	12				ER0			After 6-30-03
21									BEARING KIT, Connecting Rod, .001 Undersize
	83501 397AB	AR				ER0			Up to 6-30-03
	83501 397AC	1				ER0			After 6-30-03
22									BEARING PACKAGE, Connecting Rod, .010 Undersize
	83500 301AB	AR				ER0			Up to 6-30-03
	83500 301AC	AR				ER0			After 6-30-03
23	1949 765	4				ER0	DG0		SCREW, Hex Head Header Point, .312-24x.44
24	#4752 460AB	1				ER0	DG0		PLATE, Drive Plate
25	J321 4094	1				ER0	DG0		PLATE, Drive Plate Backing
26	#5093 944AA	1				ER0	DG6		CONVERTER PACKAGE, Torque
27	J315 1407	6				ER0	DG0		BOLT, Hex Head, .50-20x.56
28									PISTON PIN AND ROD
	4798 329AC	6				ER0			B Size 3.8742
	4798 330AC	6				ER0			C Size 3.8746
	4798 331AC	6				ER0			D Size 3.8750
	4798 332AC	6				ER0			E Size 3.8754
	4798 333AC	6				ER0			F Size 3.8758
29									PIN, Piston, Serviced in Piston Assembly, (NOT SERVICED) (Not Serviced)
30	4798 878	1				ER0			RING PACKAGE, Piston, Standard Size Complete Engine
31									ROD, Connecting, Serviced in Piston Assembly, (NOT SERVICED) (Not Serviced)
-32	5018 594AA	1				ER0			SEAL PACKAGE, Crankshaft
-33									NUT, Hex Flange Lock, (NOT REQUIRED)
34	#4736 204AA	1				ER0	DG0		SLEEVE



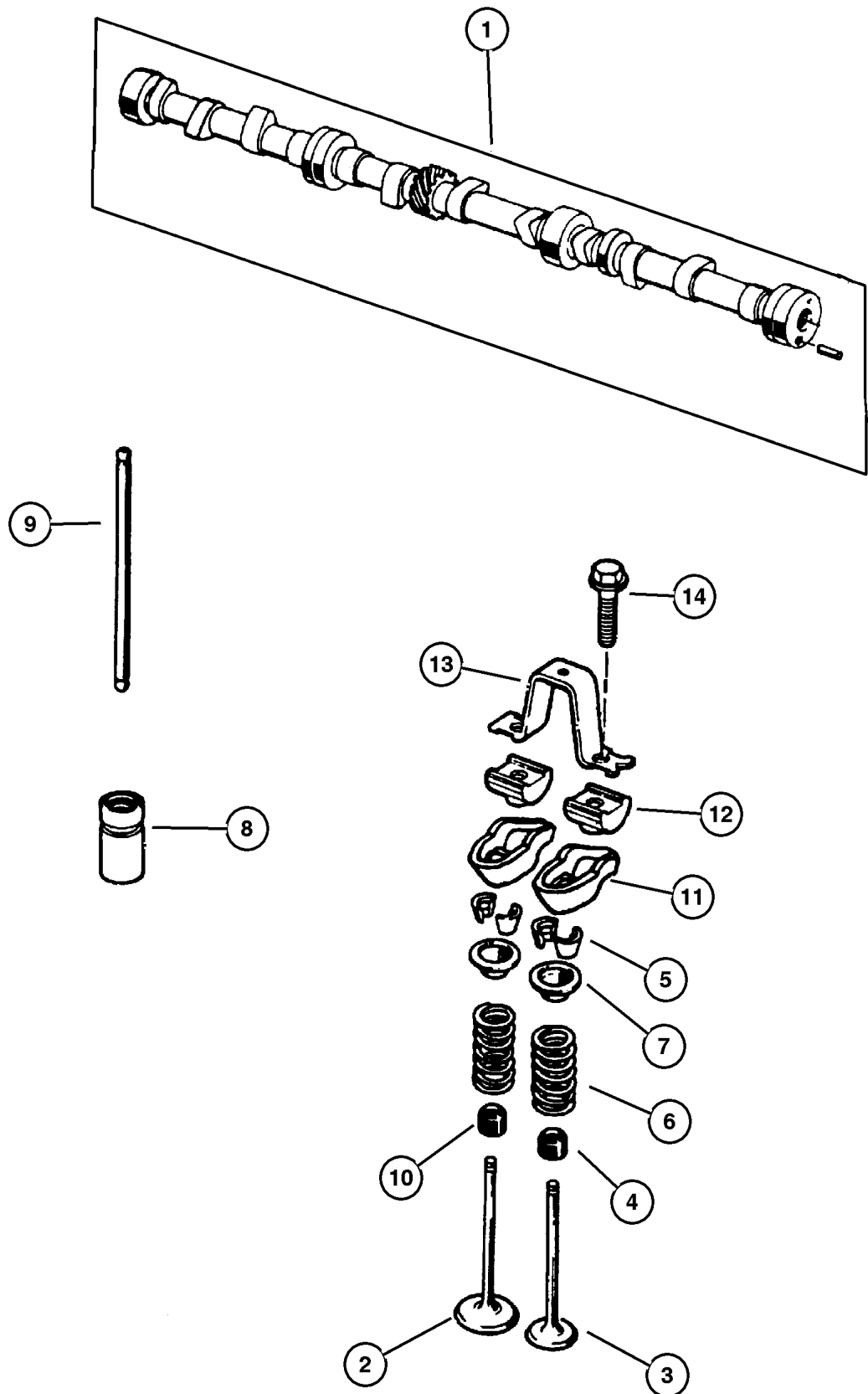
**JEEP WRANGLER (TJ)**

<b>SERIES</b>	<b>LINE</b>	<b>BODY</b>	<b>ENGINE</b>	<b>TRANSMISSION</b>
H = Sport	J = Wrangler 4WD	77 = 93.4 WB	ED1, ED0 = 2.4L DOHC	DGG, DGD = 32RH 3 Spd Auto
L = SE	U = Wrangler 4WD (RHD)		ERH = 4.0L Power Tech	DDD = 5 Speed HD Manual
M = X				DG0 = Auto. Trans.
P = Sahara				DBB = Manual Trans.
S = Rubicon				DDK = 5 Speed Manual

AR = Use as required - = Non illustrated part # = New this model year

September 29, 2003

Camshaft and Valves, 4.0 (ERH)  
Figure 4.0L-510



ITEM	PART NUMBER	QTY	LINE	SERIES	BODY	ENGINE	TRANS	TRIM	DESCRIPTION
NOTE: ER0=All 4.0L Engines									
1	53010 448AA	1				ER0			CAMSHAFT
2	53010 512AA	6				ER0			VALVE, Intake, Standard
3	53010 513AA	6				ER0			VALVE, Exhaust, Standard
4	5300 9887	6				ER0			SEAL, Valve Guide, Exhaust
5	53010 515AA	24				ER0			LOCK, Valve Spring Retainer
6	5301 0388	12				ER0			SPRING, Valve
7	53010 514AA	12				ER0			RETAINER, Valve Spring
8	53010 574AB	12				ER0			TAPPET, Valve
9	3300 2986	12				ER0			PUSH ROD, Valve
10	5300 9886	6				ER0			SEAL, Valve Guide, Intake
11	J324 2393	12				ER0			ROCKER ARM, Valve
12	J323 5090	12				ER0			PIVOT, Rocker Arm
13	J323 6513	6				ER0			BRIDGE, Rocker Arm
14	J942 5708	12				ER0			BOLT, Hex Flange Head, .312-18x1.25

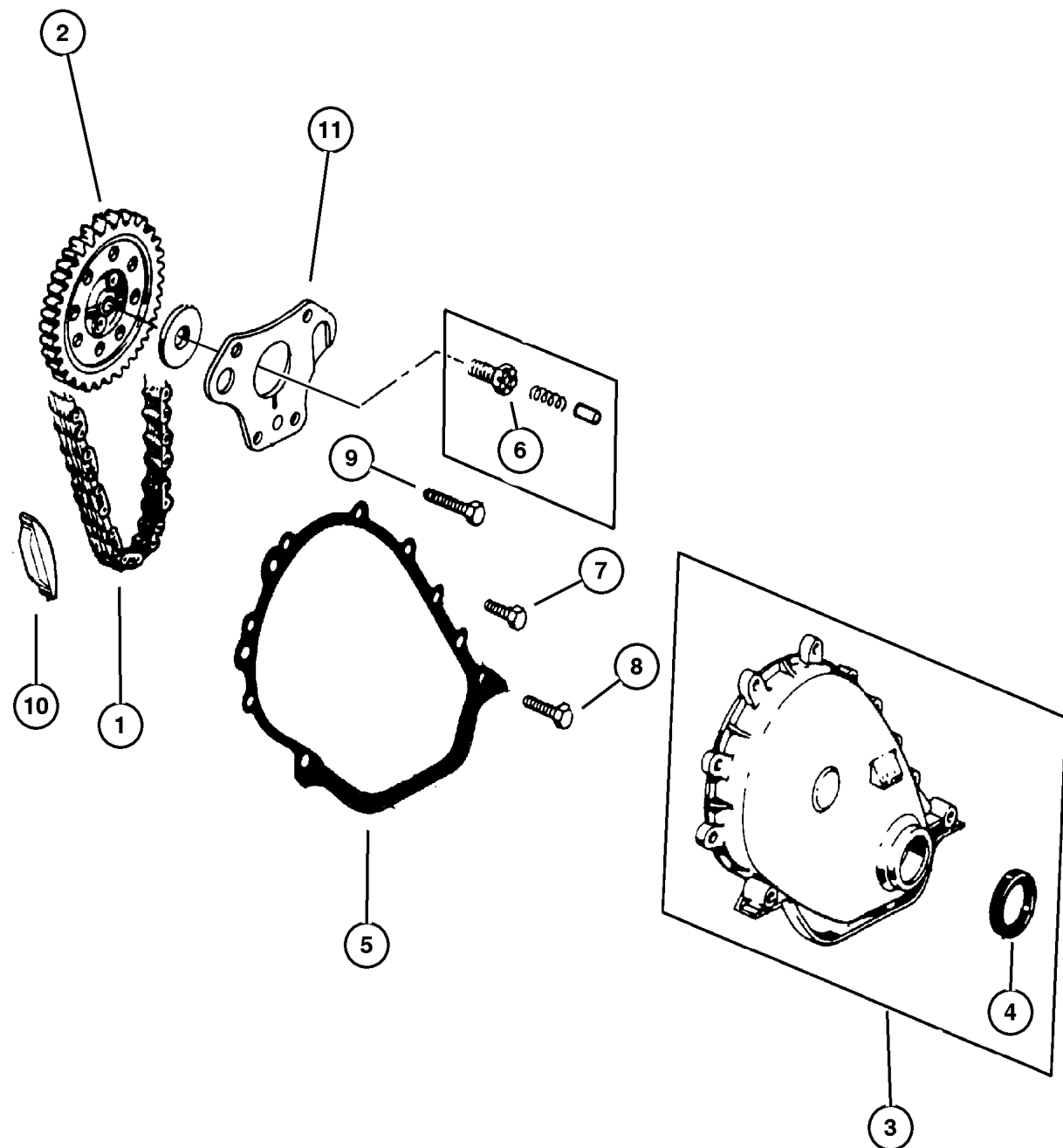
JEEP WRANGLER (TJ)

SERIES	LINE	BODY	ENGINE	TRANSMISSION
H = Sport	J = Wrangler 4WD	77 = 93.4 WB	ED1, ED0 = 2.4L DOHC	DGG, DGD = 32RH 3 Spd Auto
L = SE	U = Wrangler 4WD (RHD)		ERH = 4.0L Power Tech	DDD = 5 Speed HD Manual
M = X				DG0 = Auto. Trans.
P = Sahara				DBB = Manual Trans.
S = Rubicon				DDK = 5 Speed Manual

AR = Use as required - = Non illustrated part # = New this model year

September 29, 2003

Timing Cover, 4.0 (ERH)  
Figure 4.0L-610



ITEM	PART NUMBER	QTY	LINE	SERIES	BODY	ENGINE	TRANS	TRIM	DESCRIPTION
Note; EP0= All 2.5L 4 Cylinder Gas Engines									
ER0= All 4.0L 6 Cylinder Gas Engines									
1	5302 0444	1				ER0			CHAIN, Timing
2	53010 557AA	1				ER0			SPROCKET, Camshaft
3	5301 0421	1				ER0			COVER, Timing Belt
4	3300 4681	1				ER0			SEAL, Front Main Crankshaft
5	5302 0487	1				ER0			GASKET, Front Cover
6	6024 030	1				ER0			SCREW AND WASHER, Hex
7	6035 893	5				ER0			BOLT, Hex
8	6035 895	2				ER0			SCREW
9	6035 894	2				ER0			SCREW
10	3300 3446	1				ER0			SNUBBER, Timing Chain
11	5301 0401	1				ER0			PLATE, Camshaft Thrust
-12	6035 975AA	2				ER0			SCREW, Pan Head

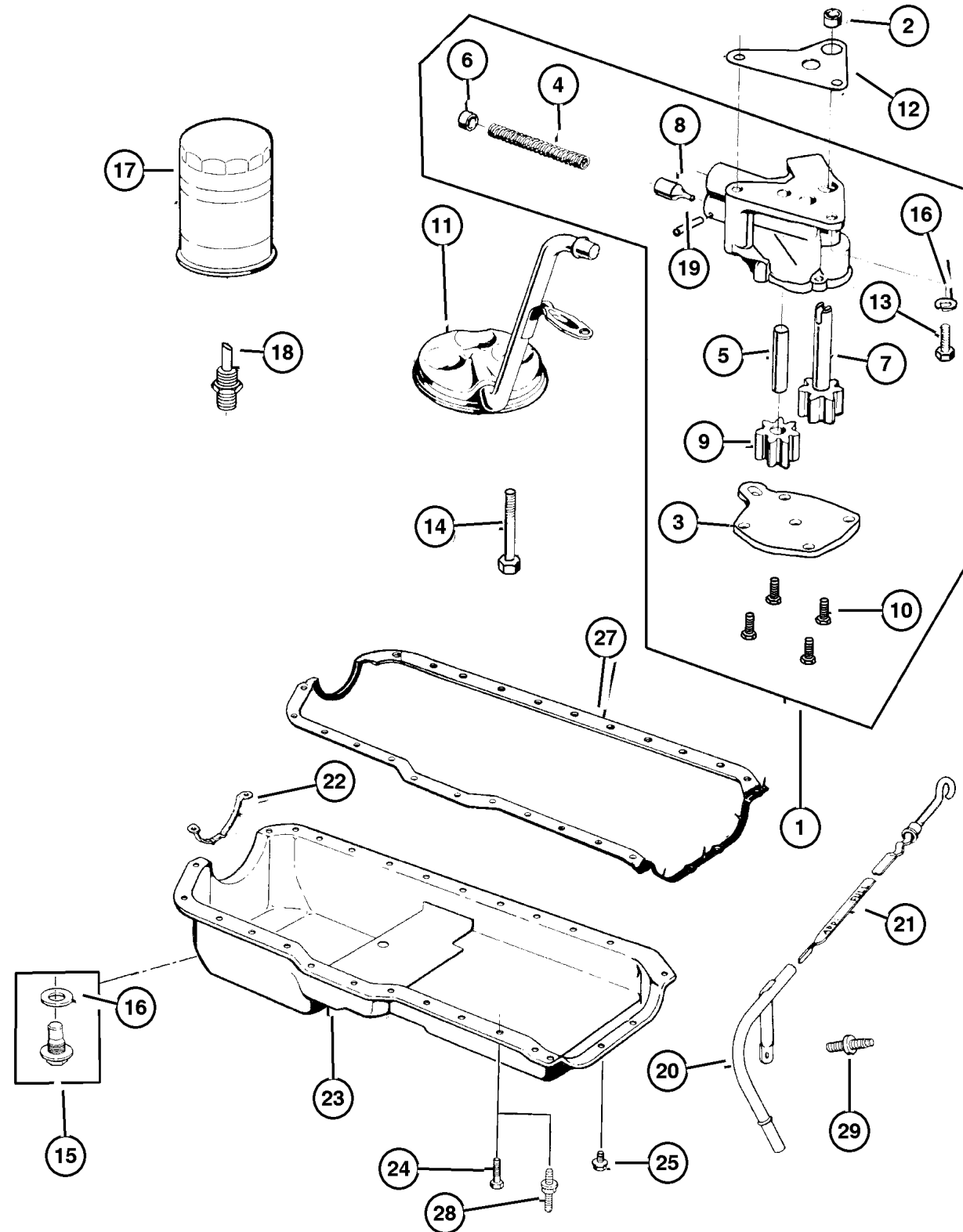
JEEP WRANGLER (TJ)

SERIES	LINE	BODY	ENGINE	TRANSMISSION
H = Sport	J = Wrangler 4WD	77 = 93.4 WB	ED1, ED0 = 2.4L DOHC	DGG, DGD = 32RH 3 Spd Auto
L = SE	U = Wrangler 4WD (RHD)		ERH = 4.0L Power Tech	DDD = 5 Speed HD Manual
M = X				DG0 = Auto. Trans.
P = Sahara				DBB = Manual Trans.
S = Rubicon				DDK = 5 Speed Manual

AR = Use as required - = Non illustrated part # = New this model year

September 29, 2003

**Engine Oiling, 4.0 (ERH)  
Figure 4.0L-710**



Note; EP0= 2.4L 4 Cylinder Gas Engines

ER0= 4.0L 6 Cylinder Gas Engines

ITEM	PART NUMBER	QTY	LINE	SERIES	BODY	ENGINE	TRANS	TRIM	DESCRIPTION
1	J324 1399	1				ER0			PUMP, Engine Oil
2	J400 5149	1				ER0			DOWEL, Oil Pump
3	J324 1733	1				ER0			COVER, Engine Oil Pump
4	J323 9668	1				ER0			SPRING, Oil Pressure Relief Valve
5	J317 1956	1				ER0			SHAFT, Oil Pump
6	J317 1958	1				ER0			RETAINER, Oil Release Valve
7	J317 2334	1				ER0			GEAR, Oil Pump
8	J318 8661	1				ER0			PLUNGER, Oil Pressure Relief Valve
9	J319 6843	1				ER0			GEAR, Oil Pump Driven
10	J941 6852	4				ER0			SCREW, Hex Flange Head, .25-20x.50
11	3300 2696	1				ER0			TUBE, Oil Pump Inlet
12	J317 2332	1				ER0			GASKET, Oil Pump
13	6022 235	1				ER0			BOLT AND WASHER, Hex Head, .312-18x1.00
14	0154 593	1				ER0			SCREW, Hex Head Coned, .312-18x2.625
15	6035 417	1				ER0			PLUG, Oil Drain
16									GASKET, Oil Drain Plug, Serviced in Plug, (NOT SERVICED) (Not Serviced)
17	5281 090	1				ER0			FILTER, Engine Oil
18	5300 7563	1				ER0			CONNECTOR, Oil Filter
19	J027 1448	1				ER0			PIN, Roll, 5/32" x 1.00"
20	5302 0782	1				ER0			TUBE, Oil Filler
21	5301 0445	1				ER0			INDICATOR, Engine Oil Level
22	53010 511AA	1				ER0			SUPPORT, Engine Oil Pan
23	5301 0340	1				ER0			PAN, Engine Oil
24	6034 732	14				ER0			SCREW AND WASHER, Hex Head, .25-20x.545
25	6036 407AA	3				ER0			SCREW, Hex Head Coned, .312-18x.875
-26	6034 733	1				ER0			STUD, .312-18/.250-20x1.680
27	53007 568AC	1				ER0			GASKET, Oil Pan
28	6034 734	10				ER0			BOLT, Double Stud Hex, .250-20x1.437 & .250-20 x.700
29	6035 664	1				ER0			STUD, .312-18x1.560
-30	53010 615AA	1				ER0			DRIVE, OIL PUMP
-31	J318 1288	1				ER0			GASKET, Distributor

**JEEP WRANGLER (TJ)**

SERIES  
H = Sport  
L = SE  
M = X  
P = Sahara  
S = Rubicon

LINE  
J = Wrangler 4WD  
U = Wrangler 4WD (RHD)

BODY  
77 = 93.4 WB

ENGINE  
ED1, ED0 = 2.4L DOHC  
ERH = 4.0L Power Tech

TRANSMISSION  
DGG, DGD = 32RH 3 Spd Auto  
DDD = 5 Speed HD Manual  
DGO = Auto. Trans.  
DBB = Manual Trans.  
DDK = 5 Speed Manual

AR = Use as required - = Non illustrated part # = New this model year

September 29, 2003

**Manifold, Intake and Exhaust  
Figure 4.0L-810**

ITEM	PART NUMBER	QTY	LINE	SERIES	BODY	ENGINE	TRANS	TRIM	DESCRIPTION
------	-------------	-----	------	--------	------	--------	-------	------	-------------

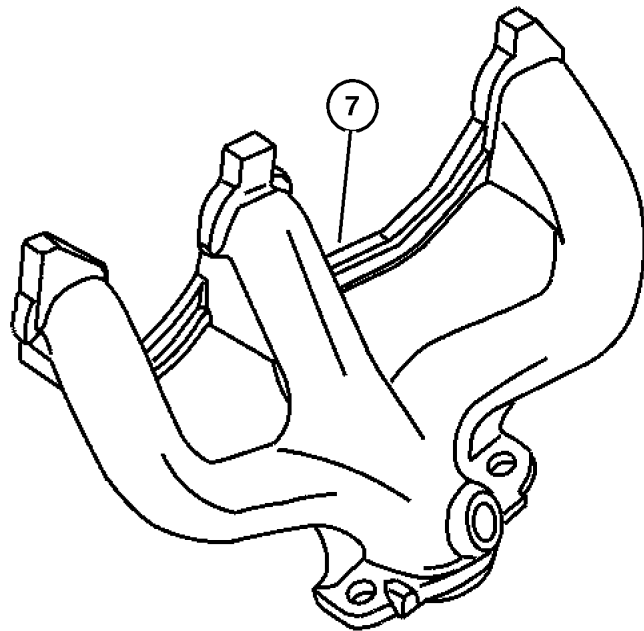
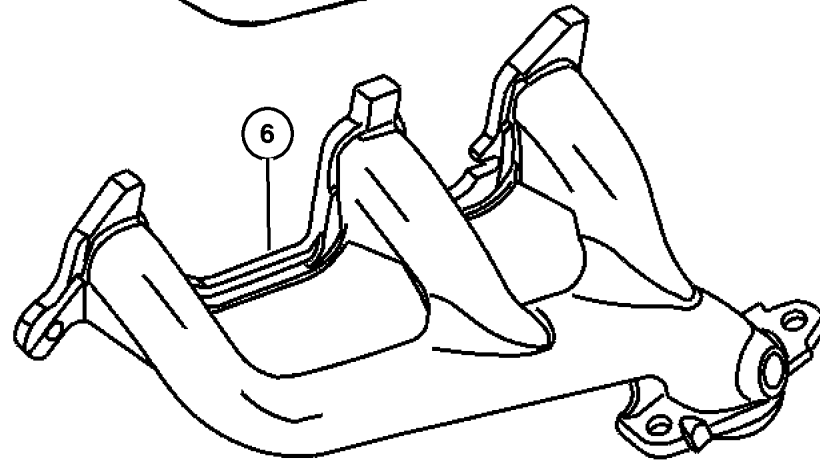
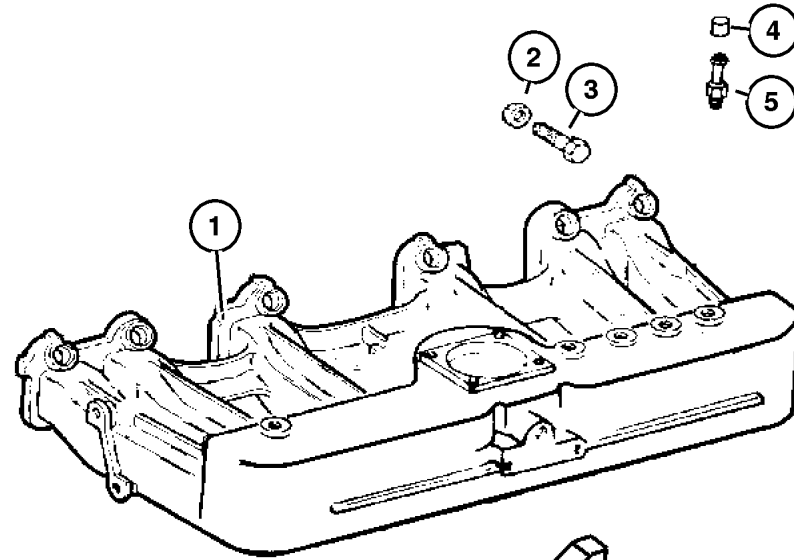
**NOTES:**

Sales Codes:

[EP0] = All 2.5L 4 Cylinder Gas Engines

[ER0] = All 4.0L 6 Cylinder Gas Engines

1	#4854 197AB	1				ER0			MANIFOLD, Intake
2	6036 171AA	2				ER0			NUT AND WASHER
3	6036 045AA	1				ER0			BOLT AND RETAINER, Hex Head
4	5503 5614	1							RESERVOIR, Vacuum
5	4854 194	1				ER0			FITTING, Vacuum
6	5301 0196	1				ER0			MANIFOLD, Exhaust, Front
7	5301 0199	1				ER0			MANIFOLD, Exhaust, Rear
-8	4854 038	1				ER0			GASKET, Intake/Exhaust Manifold
-9	6036 193AA	2				ER0			STUD, .375-16/.375-24x1.75
-10	6506 546AA	2				ER0			NUT, Exhaust Manifold



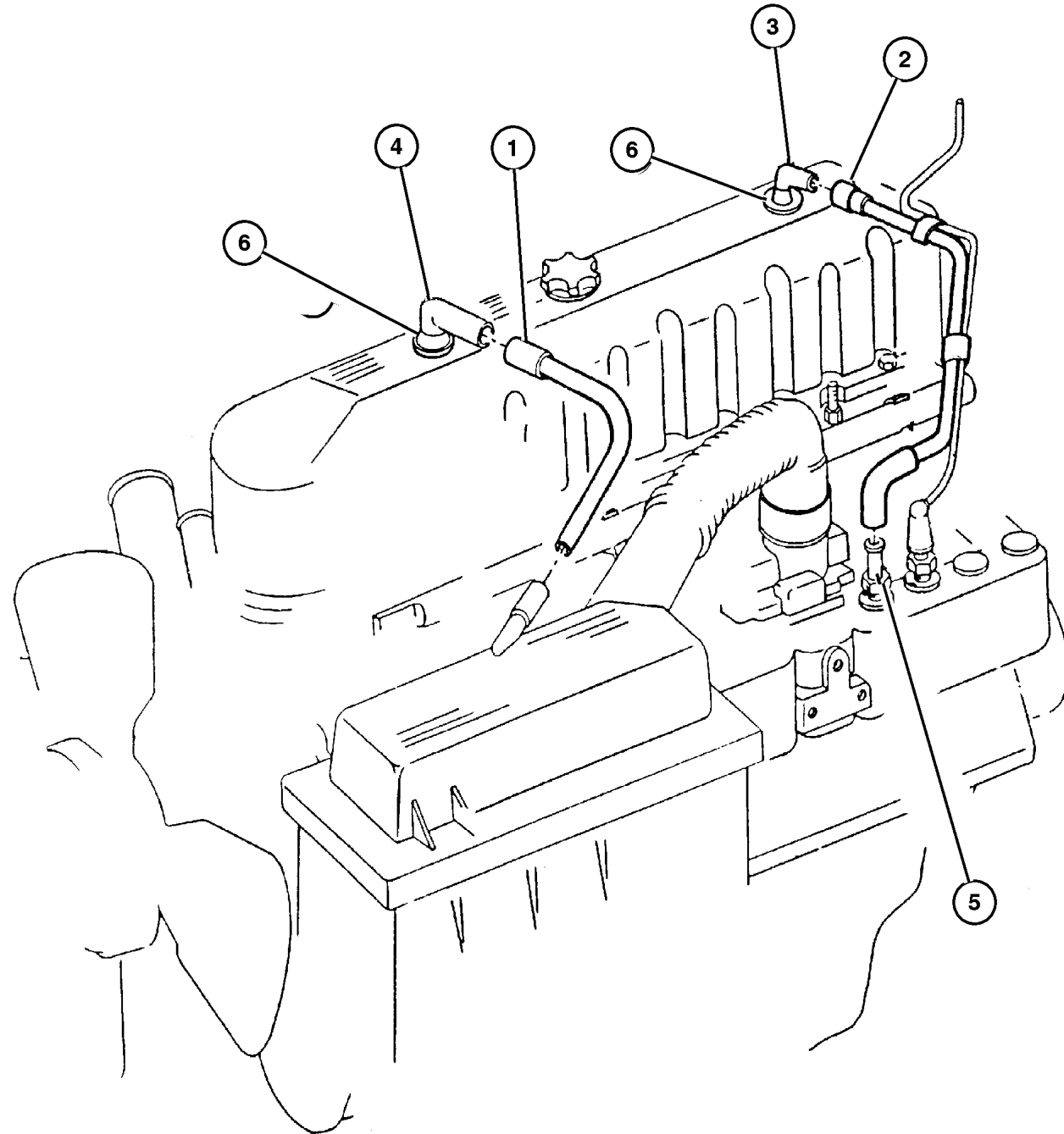
**JEEP WRANGLER (TJ)**

SERIES	LINE	BODY	ENGINE	TRANSMISSION
H = Sport	J = Wrangler 4WD	77 = 93.4 WB	ED1, ED0 = 2.4L DOHC	DGG, DGD = 32RH 3 Spd Auto
L = SE	U = Wrangler 4WD (RHD)		ERH = 4.0L Power Tech	DDD = 5 Speed HD Manual
M = X				DG0 = Auto. Trans.
P = Sahara				DBB = Manual Trans.
S = Rubicon				DDK = 5 Speed Manual

AR = Use as required - = Non illustrated part # = New this model year

September 29, 2003

**Crankcase Ventilation, 4.0 (ERH)  
Figure 4.0L-910**



ITEM	PART NUMBER	QTY	LINE	SERIES	BODY	ENGINE	TRANS	TRIM	DESCRIPTION
------	-------------	-----	------	--------	------	--------	-------	------	-------------

Note; EP0= All 2.5L 4 Cylinder Gas Engines

ER0= All 4.0L 6 Cylinder Gas Engines

1	5303 0615	1				ER0			TUBE, Crankcase Vent Valve
2	4854 265	1				ER0			TUBE, Crankcase Vent To Intake Manifold
3	5303 0495	1				ER0			TUBE, Crankcase Vent To Air Cleaner
4	5303 0497	1				ER0			FITTING, Crankcase Vent Tube
5	4854 194	1				ER0			FITTING, Vacuum
6	2946 079	2				ER0			GROMMET, Crankcase Vent

**JEEP WRANGLER (TJ)**

SERIES	LINE	BODY	ENGINE	TRANSMISSION
H = Sport	J = Wrangler 4WD	77 = 93.4 WB	ED1, ED0 = 2.4L DOHC	DGG, DGD = 32RH 3 Spd Auto
L = SE	U = Wrangler 4WD (RHD)		ERH = 4.0L Power Tech	DDD = 5 Speed HD Manual
M = X				DG0 = Auto. Trans.
P = Sahara				DBB = Manual Trans.
S = Rubicon				DDK = 5 Speed Manual

AR = Use as required - = Non illustrated part # = New this model year

September 29, 2003

# Group – 011

## Exhaust

### GROUP 11 - Exhaust

Illustration Title

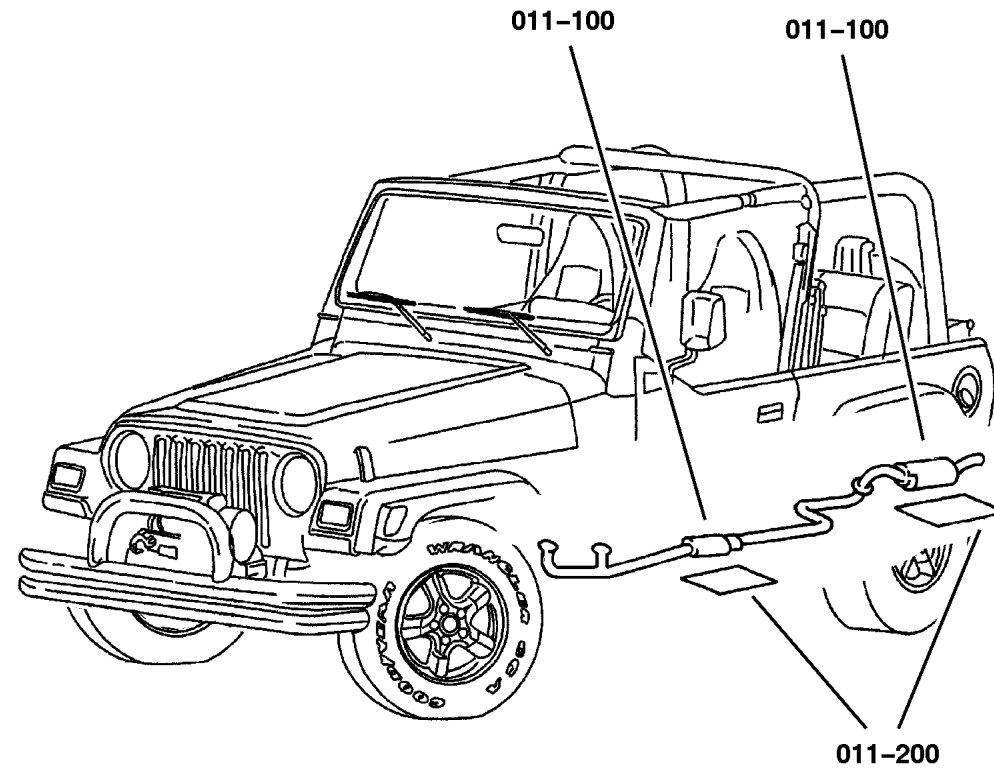
Group-Fig. No.

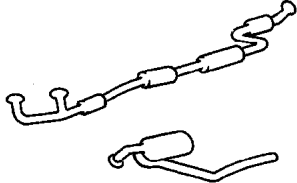
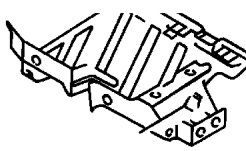
#### Exhaust System

Exhaust System, 2.4 (ED1), 4.0 (ERO) ..... Fig. 011-110

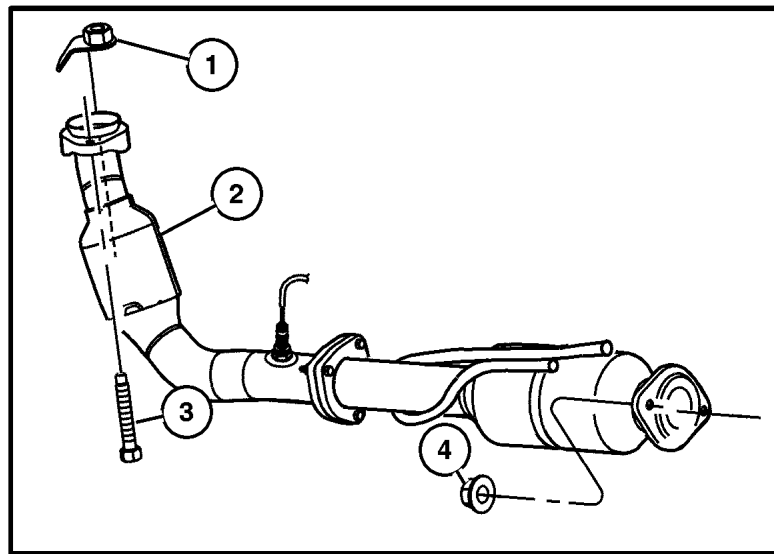
#### Heat Shields

Heat Shields, 2.4 (ED1), 4.0 (ERH) ..... Fig. 011-210

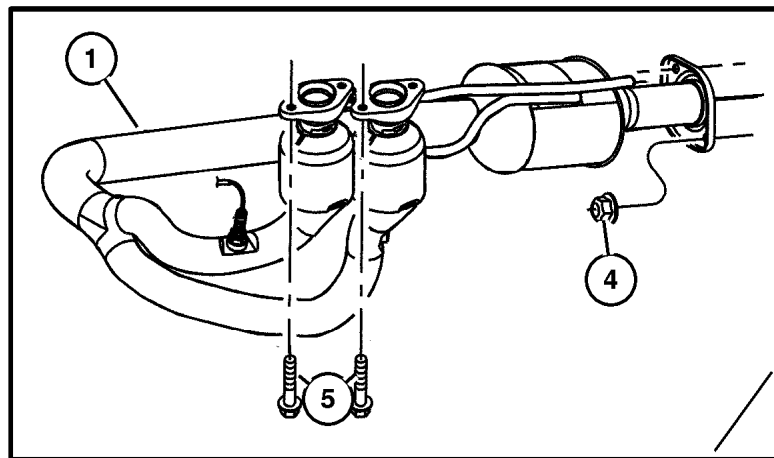


<p><b>011-100</b> Exhaust System</p> 	<p><b>011-200</b> Heat Shields</p> 		
--	--	--	--

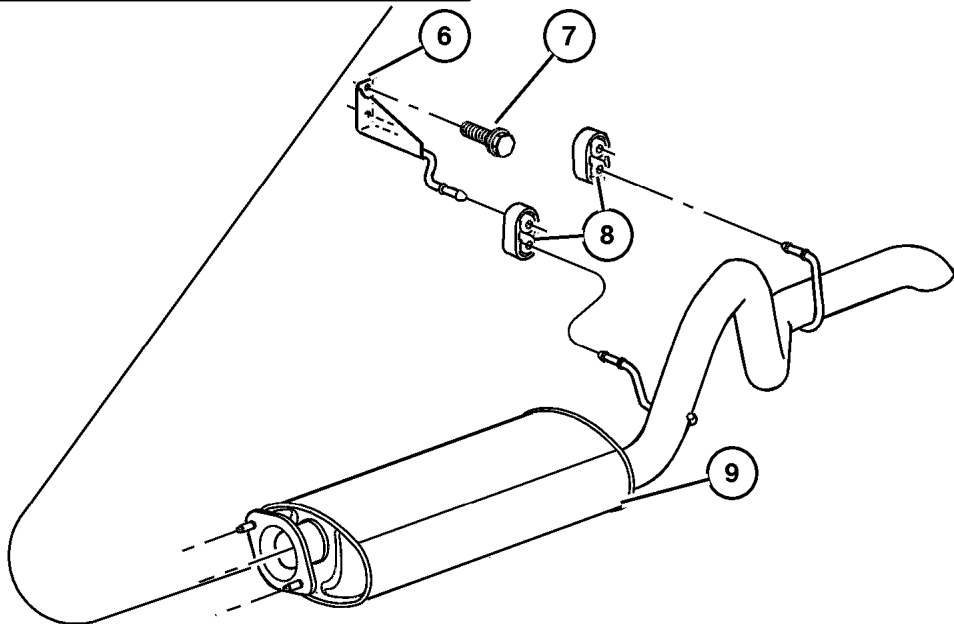
**Exhaust System, 2.4 (ED1), 4.0 (ERO)  
Figure 011-110**



(EDO)



(ERO)



ITEM	PART NUMBER	QTY	LINE	SERIES	BODY	ENGINE	TRANS	TRIM	DESCRIPTION
NOTE:[ EP0]=All 2.5L Gas Engines [ER0]=All 4.0L Engines [ DBB]=All Manual Transmissions [ DG0]=All Automatic Transmissions									
1	4682 810AB	2				ED1	DBB, DG0		NUT, Hex Flange, M8x1.25
2	#52059 566AC	1				ED1			PIPE AND CONVERTER, Exhaust
	#52059 567AB	1				ER0			
3	6505 954AA	2				ED1	DBB, DG0		SCREW, Hex Head Pilot Point, M8x1.25x65.00
4	6502 337	2							NUT, M10x1.5, ED1
5	6505 754AA	4				ER0			SCREW, Hex Head
6	5201 9408	1							HANGER, Muffler
7	6035 613	4							SCREW
8	5210 1035	2							INSULATOR, Exhaust
9	#52059 614AA	1				ED1			MUFFLER AND TAILPIPE, Exhaust
	52019 241AE	1				ER0			

**JEEP WRANGLER (TJ)**

SERIES	LINE	BODY	ENGINE	TRANSMISSION
H = Sport	J = Wrangler 4WD	77 = 93.4 WB	ED1, ED0 = 2.4L DOHC	DGG, DGD = 32RH 3 Spd Auto
L = SE	U = Wrangler 4WD (RHD)		ERH = 4.0L Power Tech	DDD = 5 Speed HD Manual
M = X				DG0 = Auto. Trans.
P = Sahara				DBB = Manual Trans.
S = Rubicon				DDK = 5 Speed Manual

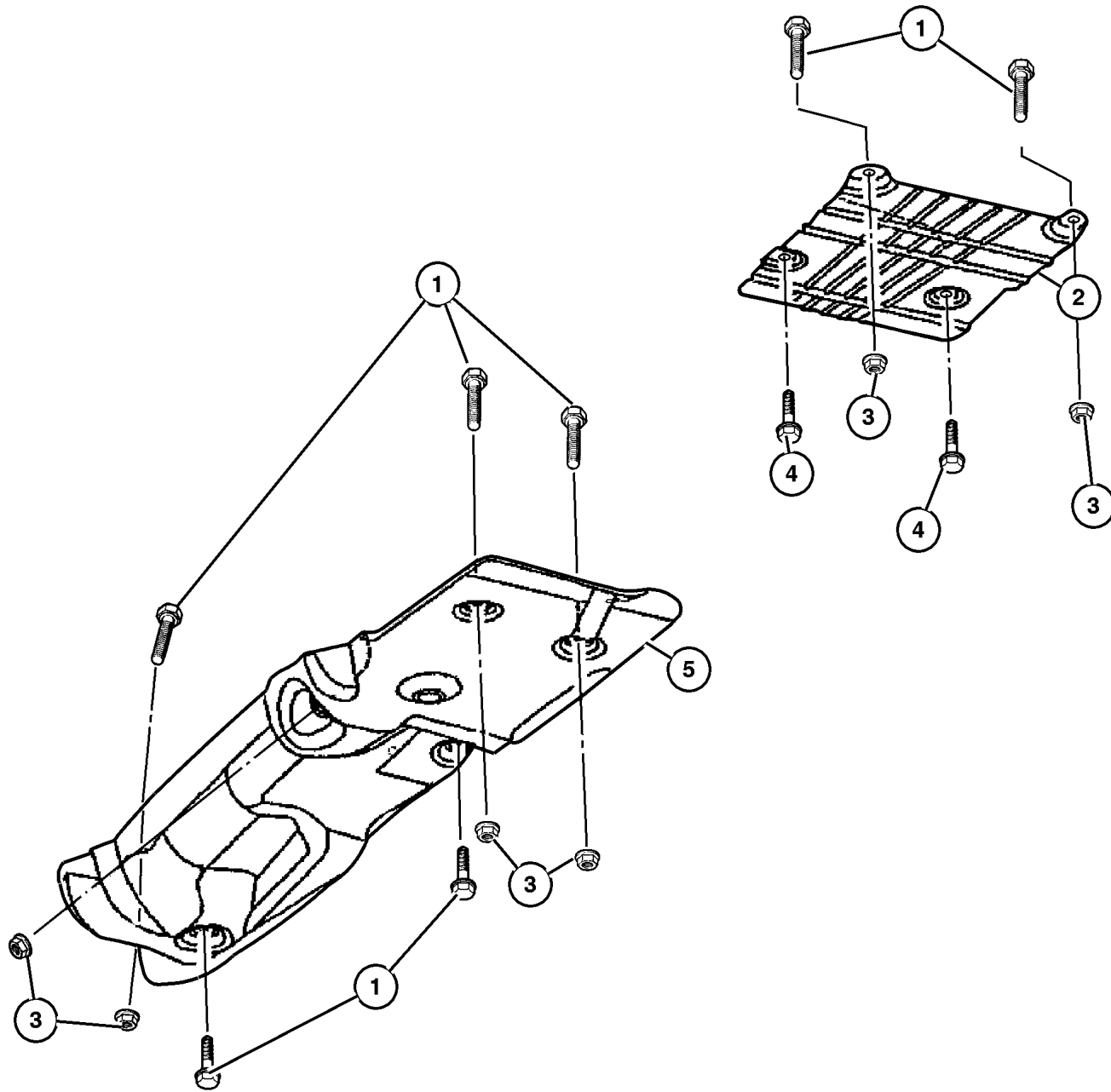
AR = Use as required - = Non illustrated part # = New this model year

September 29, 2003



Heat Shields, 2.4 (ED1), 4.0 (ERH)  
Figure 011-210

ITEM	PART NUMBER	QTY	LINE	SERIES	BODY	ENGINE	TRANS	TRIM	DESCRIPTION
1									SCREW, [.250-20x.875], (NOT SERVICED) (Not Serviced)
2	5517 6205	1							SHIELD, Muffler
3									NUT, [M6X1.00] , (NOT SERVICED) (Not Serviced)
4									SCREW, [.250-20x625], (NOT SERVICED) (Not Serviced)
5	55176 694AE	1							SHIELD, Muffler



JEEP WRANGLER (TJ)  
 SERIES LINE BODY ENGINE TRANSMISSION  
 H = Sport J = Wrangler 4WD 77 = 93.4 WB ED1, ED0 = 2.4L DOHC DGG, DGD = 32RH 3 Spd Auto  
 L = SE U = Wrangler 4WD (RHD) ERH = 4.0L Power Tech DDD = 5 Speed HD Manual  
 M = X DBB = Manual Trans.  
 P = Sahara DDK = 5 Speed Manual  
 S = Rubicon

AR = Use as required - = Non illustrated part # = New this model year

September 29, 2003

# Group – 013

## Frames and Bumpers

### GROUP 13 - Frames and Bumpers

Illustration Title

Group-Fig. No.

**Frames**

Frame ..... Fig. 013-110

**Front Bumper and Fascia**

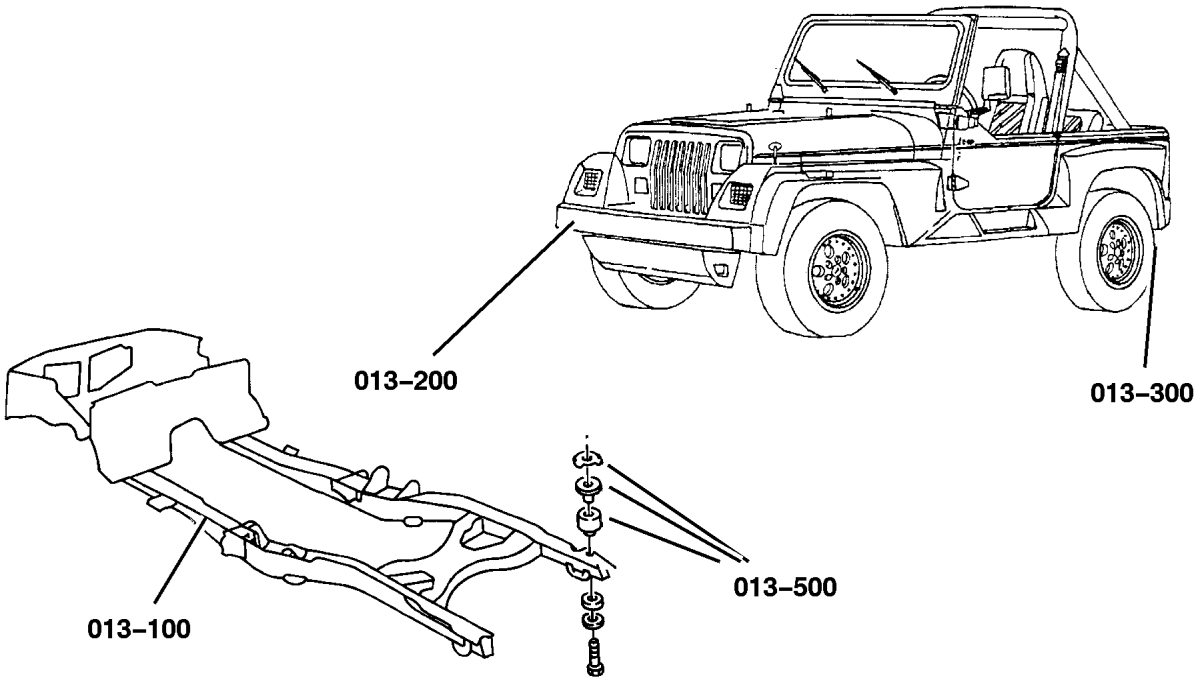
Bumper, Front ..... Fig. 013-210

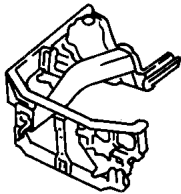
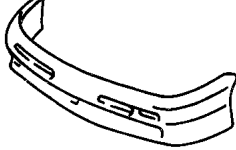


**Rear Bumper and Fascia**

Bumper, Rear ..... Fig. 013-310

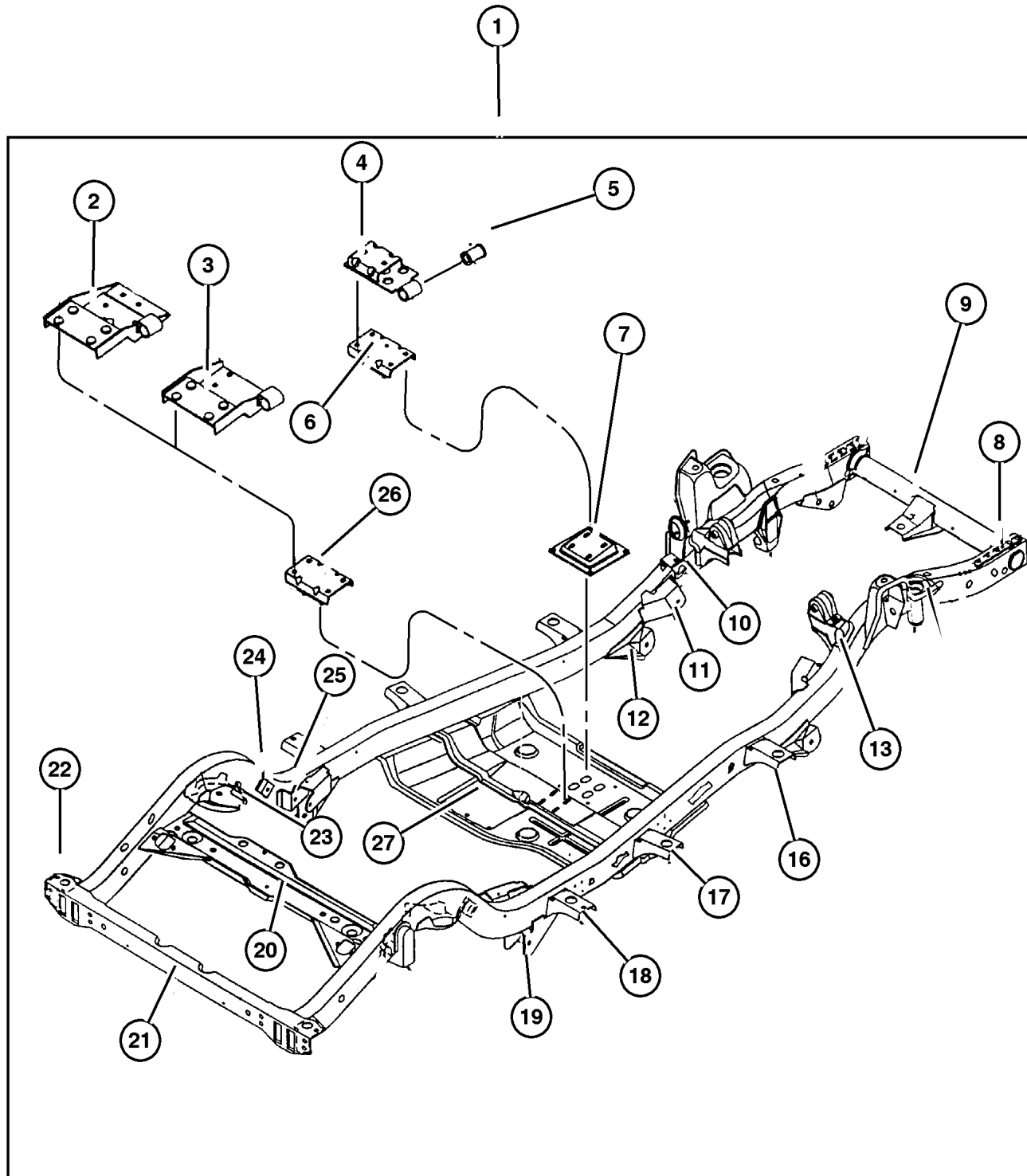
**Body Hold Down**

Body Mounting Hardware ..... Fig. 013-510



<p><b>013-100</b> Frames</p> 	<p><b>013-200</b> Front Bumper and Fascia</p> 	<p><b>013-300</b> Rear Bumper and Fascia</p> 	<p><b>013-500</b> Body Hold Down</p> 
--	---	---	--

Frame  
Figure 013-110



ITEM	PART NUMBER	QTY	LINE	SERIES	BODY	ENGINE	TRANS	TRIM	DESCRIPTION
Note: Sales Code ED0 = 2.4L Gas Engine									
Note: Sales Code ER0 = 4.0L Gas Engine									
Note: Sales Code DG0 = Auto Transmission									
Note: Sales Code DD0 = Manual Transmission									
1									FRAME, Chassis
	#52058 813AH	1	J						[ED0], Without [XDC]
	#52058 811AH	1	J						[ER0], Without [XDC]
	#52058 815AH	1	U						[ER0], Without [XDC]
	#52059 651AB	1	J						[ED0], With [XDC]
	#52059 652AB	1	J						[ER0], With [XDC]
	#52059 653AB	1	U						[ER0], With [XDC]
2									BRACKET, Transmission Mount
	#52059 422AB	1							[ED0][DG0]
	#52059 504AB	1							[ED0][DD0]
	#52059 502AB	1							[ER0][DG0]
	#52059 509AB	1							[ER0][DD0]
3									BRACKET, Transmission Mount
	#52059 422AB	1							[ED0][DG0]
	#52059 504AB	1							[ED0][DD0]
	#52059 502AB	1							[ER0][DG0]
	#52059 509AB	1							[ER0][DD0]
4									BRACKET, Transmission Mount
	#52059 422AB	1							[ED0][DG0]
	#52059 504AB	1							[ED0][DD0]
	#52059 502AB	1							[ER0][DG0]
	#52059 509AB	1							[ER0][DD0]
5	5208 5085	1							BUSHING, Exhaust Hanger
6	52058 551AB	1							MOUNT, Transmission, Trans. Support
7									BRACKET, Transmission Mount
	#52059 422AB	1							[ED0][DG0]
	#52059 504AB	1							[ED0][DD0]
	#52059 502AB	1							[ER0][DG0]
	#52059 509AB	1							[ER0][DD0]
8									PLATE, Suspension
	5205 8430	2	J						
		2	U						
9									CROSSMEMBER, Underbody
	5003 819AA	1	J						
		1	U						
10									BRACKET, Frame Rail

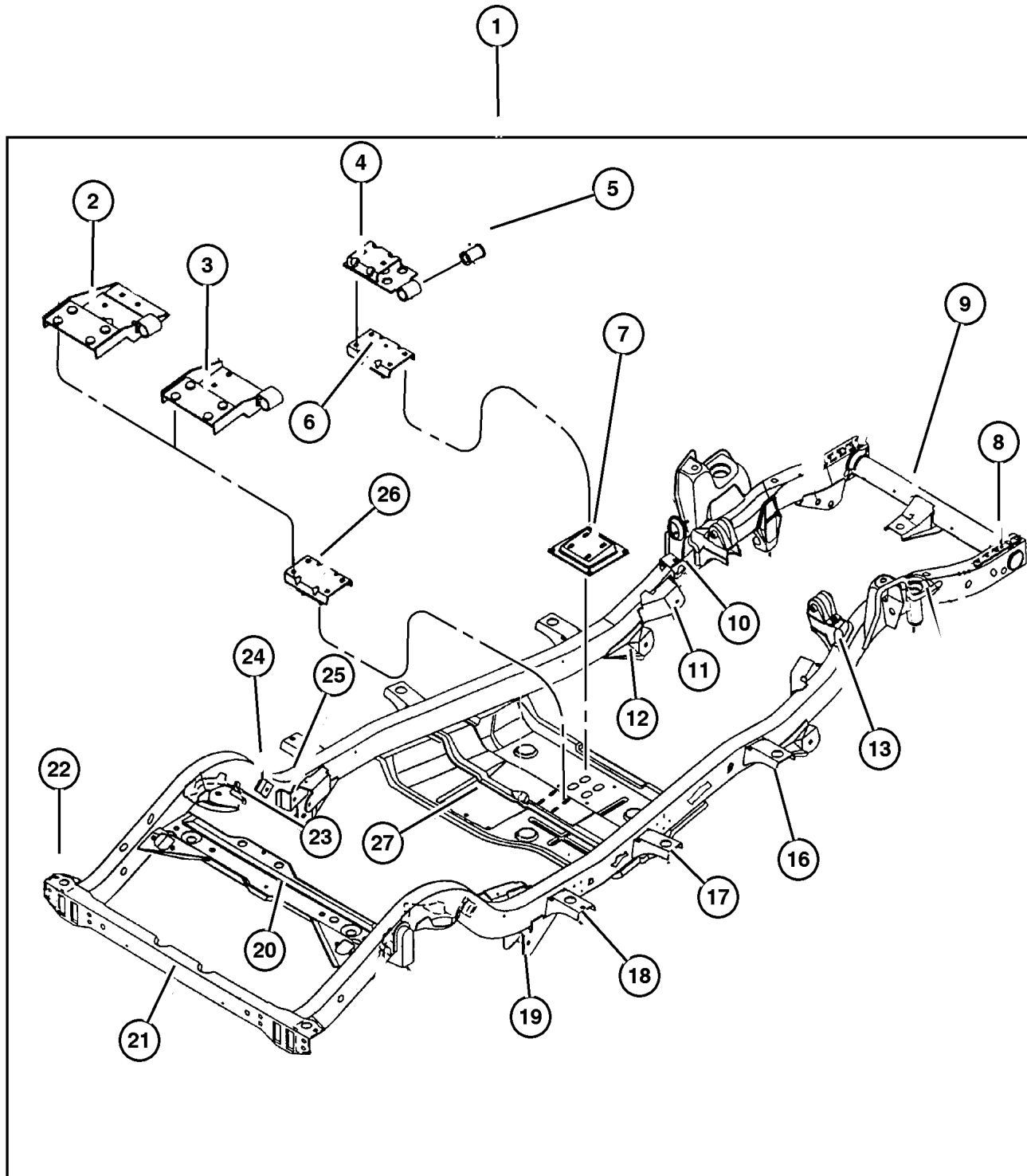
JEEP WRANGLER (TJ)

SERIES	LINE	BODY	ENGINE	TRANSMISSION
H = Sport	J = Wrangler 4WD	77 = 93.4 WB	ED1, ED0 = 2.4L DOHC	DGG, DGD = 32RH 3 Spd Auto
L = SE	U = Wrangler 4WD (RHD)		ERH = 4.0L Power Tech	DDD = 5 Speed HD Manual
M = X				DG0 = Auto. Trans.
P = Sahara				DBB = Manual Trans.
S = Rubicon				DDK = 5 Speed Manual

AR = Use as required - = Non illustrated part # = New this model year

September 29, 2003

Frame  
Figure 013-110



ITEM	PART NUMBER	QTY	LINE	SERIES	BODY	ENGINE	TRANS	TRIM	DESCRIPTION
	5205 8893	1	J						
	5205 8894	1	U						
11	52058 160AB	1	J						BRACKET, Frame Rail Right
	52058 161AB	1	J						Left
	52058 160AB	1	U						Right
	52058 161AB	1	U						Left
12	5205 8090	1	J						BRACKET, Frame Rail Right
	5205 8091	1	J						Left
	5205 8090	1	U						Right
	5205 8091	1	U						Left
13									BRACKET, Engine Mount
	5205 8864	1	J						[ER0], Right
		1	U						[ER0], Right
	5205 8865	1	J						[ER0], Left
		1	U						[ER0], Left
	5205 8870	1	J						[ED0], Right
	5205 8871	1	J						[ED0], Left
-14									REINFORCEMENT, Engine Mount
	5205 8846	1	J						[ED0], Right
-15									REINFORCEMENT, Engine Mount
	5205 8911	1	J						[ER0], Right
		1	U						[ER0], Right
	5205 8845	1	J						[ER0], Left
		1	U						[ER0], Left
16									BRACKET, Frame
	5003 831AA	4	J						
		4	U						
17									BRACKET, Frame
	5003 831AA	4	J						
		4	U						
18									BRACKET, Frame
	5003 836AA	2	J						
		2	U						
19									BRACKET, Frame Rail
	5003 832AA	1	J						Right
		1	U						Right
	5003 833AA	1	J						Left
		1	U						Left
20									CROSSMEMBER, Intermediate Rear

JEEP WRANGLER (TJ)

SERIES  
H = Sport  
L = SE  
M = X  
P = Sahara  
S = Rubicon

LINE  
J = Wrangler 4WD  
U = Wrangler 4WD (RHD)

BODY  
77 = 93.4 WB

ENGINE  
ED1, ED0 = 2.4L DOHC  
ERH = 4.0L Power Tech

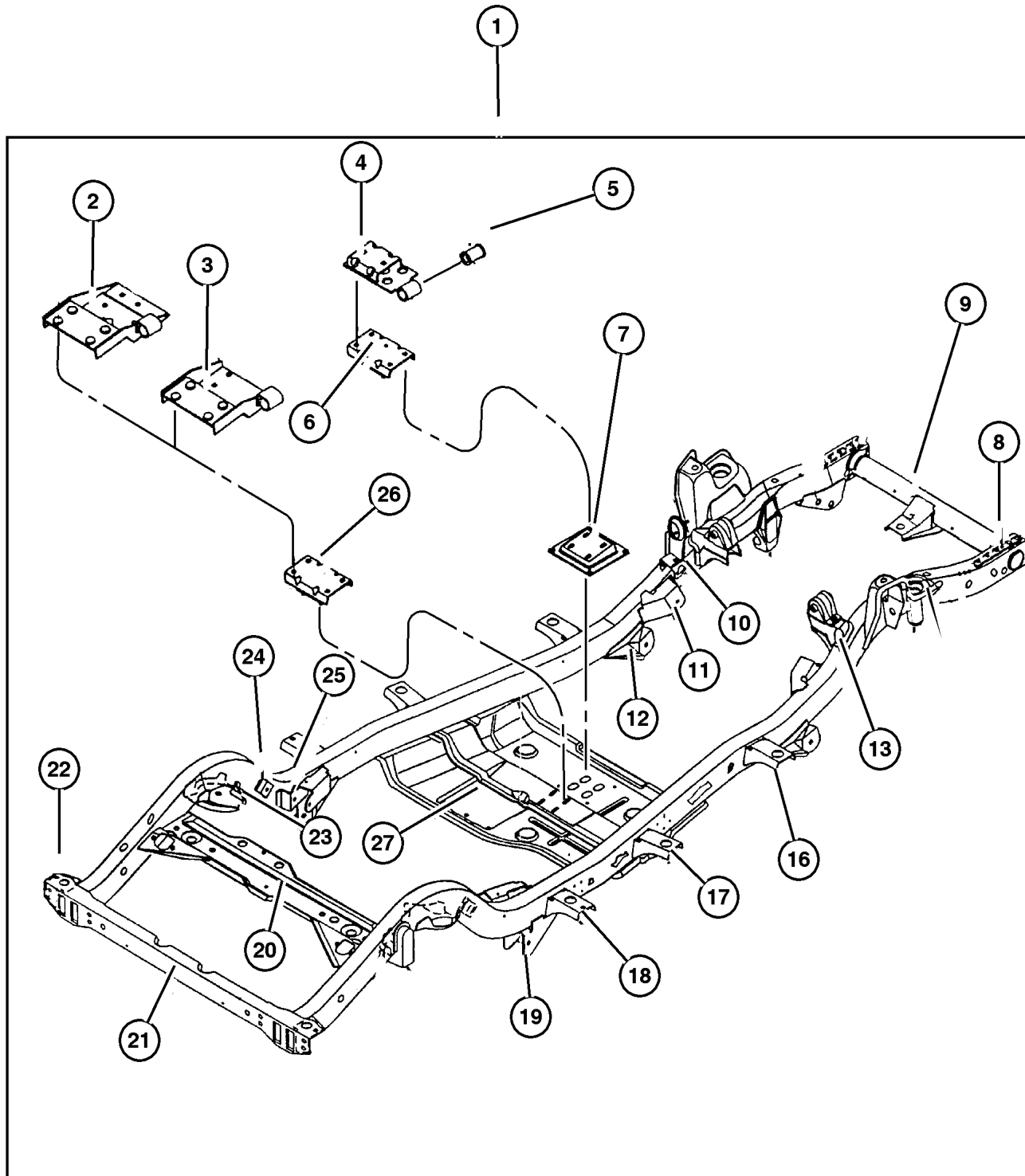
TRANSMISSION  
DGG, DGD = 32RH 3 Spd Auto  
DDD = 5 Speed HD Manual  
DGO = Auto. Trans.  
DBB = Manual Trans.  
DDK = 5 Speed Manual

AR = Use as required - = Non illustrated part # = New this model year

September 29, 2003

Frame  
Figure 013-110

ITEM	PART NUMBER	QTY	LINE	SERIES	BODY	ENGINE	TRANS	TRIM	DESCRIPTION
	#52058 136AB	1	J						
		1	U						
21	52058 121AB	1	J						CROSSMEMBER, Rear Frame
		1	U						
22	5205 8772	1	J						REINFORCEMENT, Crossmember Right
		1	U						Right
	5205 8773	1	J						Left
		1	U						Left
23	#52058 420AB	1	J						BRACKET, Frame Rail Right
		1	U						Right
	#52058 421AB	1	J						Left
		1	U						Left
24	5205 8632	2	J						BRACKET, Stabilizer Bar
		2	U						
25	#5003 834AC	1	J						BRACKET, Upper Control Arm Right
		1	U						Right
	#5003 835AC	1	J						Left
		1	U						Left
26	52058 551AB	1							MOUNT, Transmission, Trans. Support
27	#52059 501AA	1	J						SKID PLATE, Support
		1	U						
-28	#6506 629AA	2							NUT, Rivet, Skid Plate Attaching



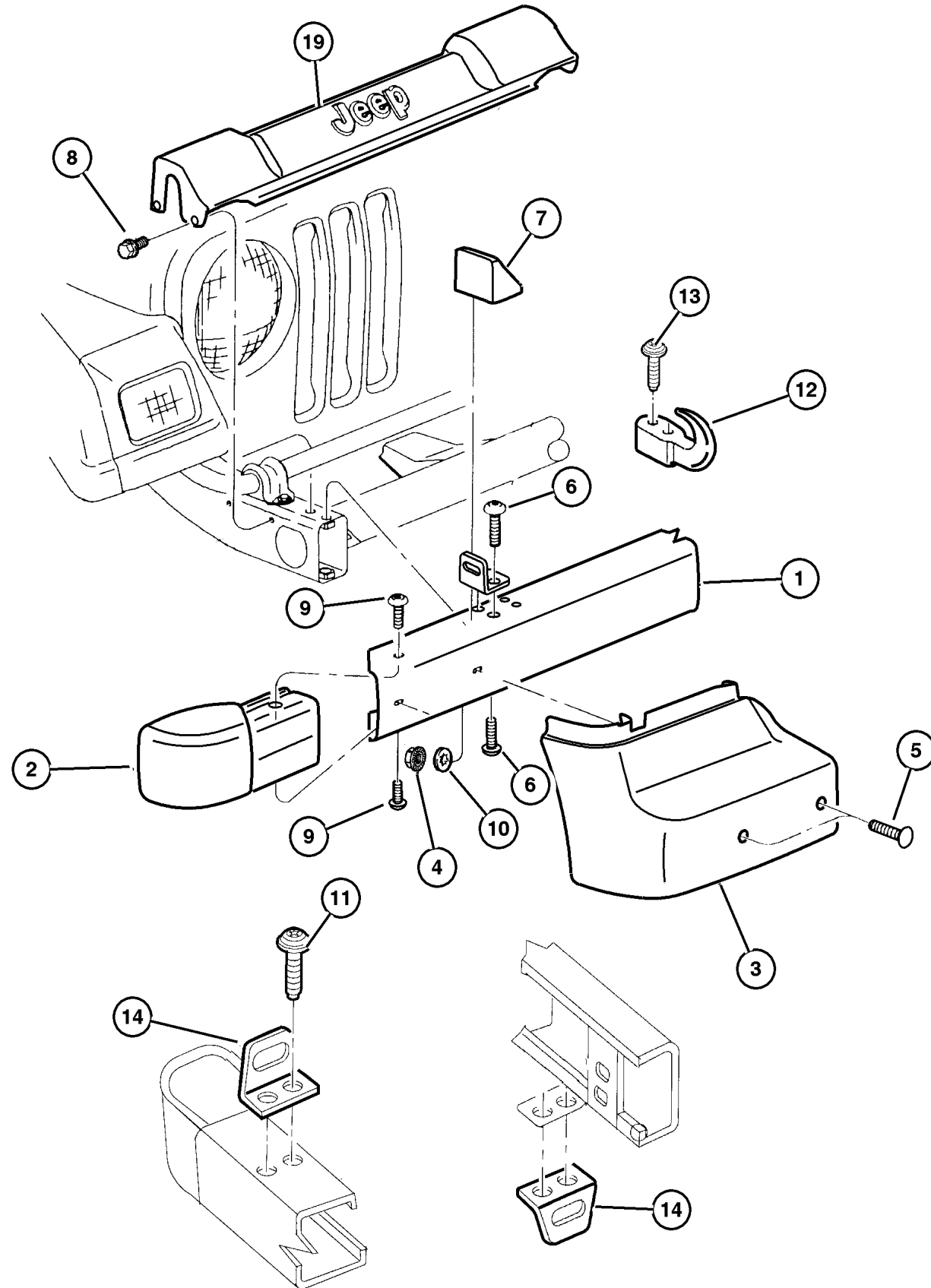
JEEP WRANGLER (TJ)

SERIES	LINE	BODY	ENGINE	TRANSMISSION
H = Sport	J = Wrangler 4WD	77 = 93.4 WB	ED1, ED0 = 2.4L DOHC	DGG, DGD = 32RH 3 Spd Auto
L = SE	U = Wrangler 4WD (RHD)		ERH = 4.0L Power Tech	DDD = 5 Speed HD Manual
M = X				DG0 = Auto. Trans.
P = Sahara				DBB = Manual Trans.
S = Rubicon				DDK = 5 Speed Manual

AR = Use as required - = Non illustrated part # = New this model year

September 29, 2003

## Bumper, Front Figure 013-210



ITEM	PART NUMBER	QTY	LINE	SERIES	BODY	ENGINE	TRANS	TRIM	DESCRIPTION
1	5ED16 JX8AF	1							BAR, Bumper Front - Painted
2									EXTENSION, Bumper
	55155 756AA	1	J						Right
	55155 757AA	1	J						Left
	55155 762AA	1							Export, Right
	55155 763AA	1							Export, Left
3									COVER, Bumper
	55155 667AF	1							Export, Right
	55155 668AB	1							Export, Left
4	6100 840	4							NUT, Spring
5	6504 723	4							BOLT
6									SCREW, Pan Head, (NOT SERVICED) (Not Serviced)
7									CAP, (NOT SERVICED) (Not Serviced)
8	6036 181AA	4							SCREW AND WASHER
9	6504 212	2							SCREW, Large Round Washer Head Lock, M6x1.00x20.00
10	6100 840	4							NUT, Spring
11									SCREW, (NOT SERVICED) (Not Serviced)
12									HOOK, Tow
	5205 9015	1							Right
	5205 9016	1							Left
13									SCREW, (NOT SERVICED) (Not Serviced)
14									HOOK, Tow
	5205 9015	1							Left Front
	5205 9016	1							Right Front
	52059 379AB	1							Rear
-15									BRACKET, License Plate [MFR]
	5517 4994	1	J						Without [ABJ]
	5515 5193	1							With [ABJ]
	55155 764AB	1							SCREW, (NOT SERVICED) (Not Serviced)
-16									SCREW, (NOT SERVICED) (Not Serviced)
-17	6504 662	4	J						RETAINER, Push On
-18									NUT, (NOT SERVICED) (Not Serviced)
19	55155 667AF	1							COVER, Bumper
-20	52000 240AC	2							GUARD, Bumper

### JEEP WRANGLER (TJ)

SERIES  
H = Sport  
L = SE  
M = X  
P = Sahara  
S = Rubicon

LINE  
J = Wrangler 4WD  
U = Wrangler 4WD (RHD)

BODY  
77 = 93.4 WB

ENGINE  
ED1, ED0 = 2.4L DOHC  
ERH = 4.0L Power Tech

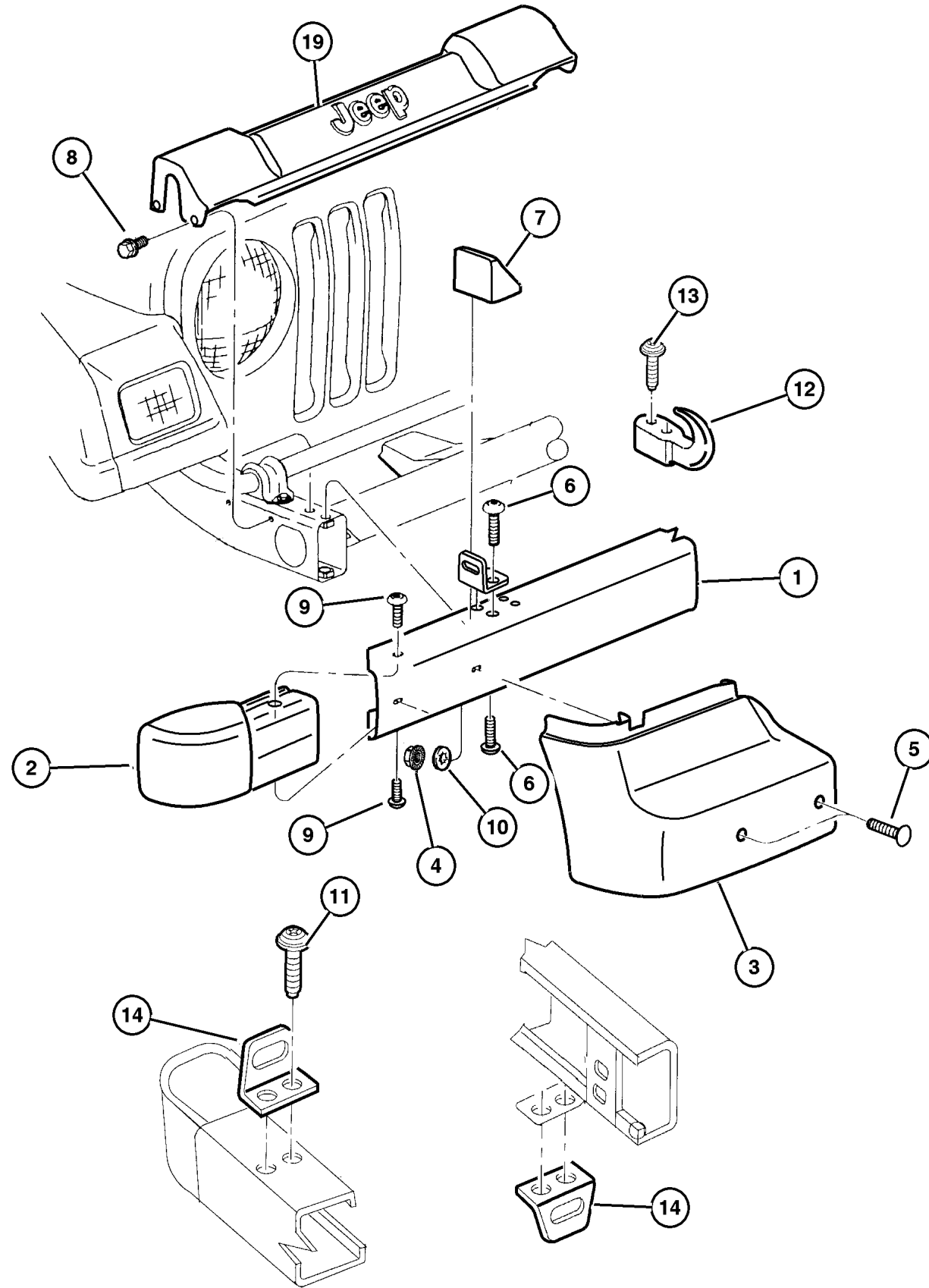
TRANSMISSION  
DGG, DGD = 32RH 3 Spd Auto  
DDD = 5 Speed HD Manual  
DGO = Auto. Trans.  
DDB = Manual Trans.  
DDK = 5 Speed Manual

AR = Use as required - = Non illustrated part # = New this model year

September 29, 2003

# Bumper, Front

## Figure 013-210



ITEM	PART NUMBER	QTY	LINE	SERIES	BODY	ENGINE	TRANS	TRIM	DESCRIPTION
------	-------------	-----	------	--------	------	--------	-------	------	-------------

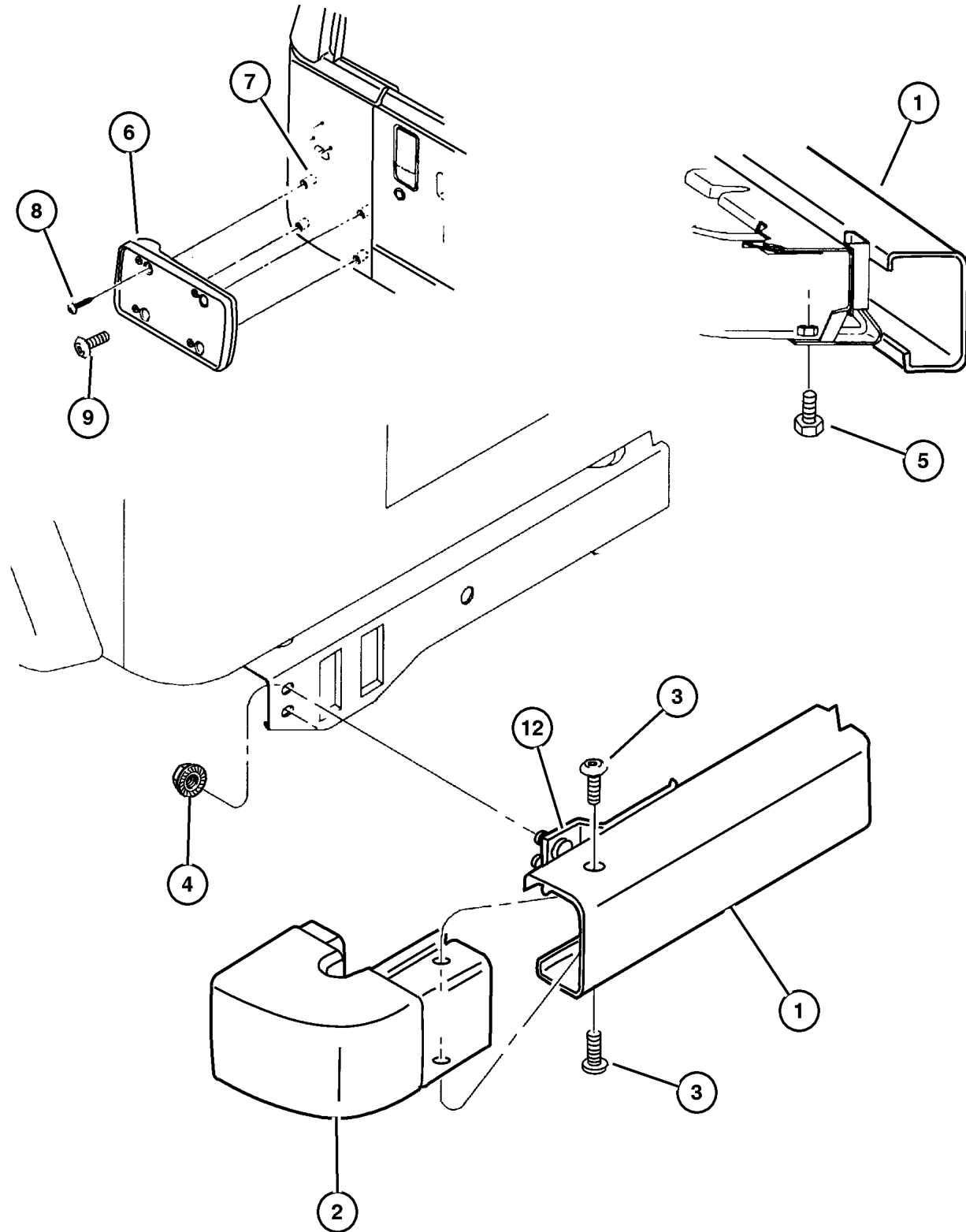
-21	52059 191AA	2							EYE, Tow
-----	-------------	---	--	--	--	--	--	--	----------


JEEP WRANGLER (TJ)				
SERIES	LINE	BODY	ENGINE	TRANSMISSION
H = Sport	J = Wrangler 4WD	77 = 93.4 WB	ED1, ED0 = 2.4L DOHC	DGG, DGD = 32RH 3 Spd Auto
L = SE	U = Wrangler 4WD (RHD)		ERH = 4.0L Power Tech	DDD = 5 Speed HD Manual
M = X				DG0 = Auto. Trans.
P = Sahara				DBB = Manual Trans.
S = Rubicon				DDK = 5 Speed Manual

AR = Use as required - = Non illustrated part # = New this model year

## Bumper, Rear Figure 013-310

ITEM	PART NUMBER	QTY	LINE	SERIES	BODY	ENGINE	TRANS	TRIM	DESCRIPTION
1									BAR, Bumper Rear - Black
	5ED18 JX8AB	1	J						
	5EY03 JX8AE	1							Export
2									EXTENSION, Bumper
	55155 760AA	1	J						Right
	55155 761AA	1	J						Left
	55155 762AA	1							Export, Right
	55155 763AA	1							Export, Left
3	6504 212	2							SCREW, Large Round Washer Head
									Lock, M6x1.00x20.00
4									NUT, Hex, .437-14, (NOT REQUIRED)
5									SCREW, (NOT SERVICED) (Not Serviced)
6									BRACKET, License Plate
	5517 4994	1	J						
	5515 5193	1							Export
7	6504 662	4	J						RETAINER, Push On
8									SCREW, (NOT SERVICED) (Not Serviced)
9	3420 1686	2							BOLT, Hex Flange Head, M12x1.18x35
-10	52059 379AB	1							HOOK, Tow
-11	52059 191AA	2							EYE, Tow
12									BRACKET, Bumper
	55155 872AA	1							Right
	55155 873AA	1							Left



### JEEP WRANGLER (TJ)

SERIES  
H = Sport  
L = SE  
M = X  
P = Sahara  
S = Rubicon

LINE  
J = Wrangler 4WD  
U = Wrangler 4WD (RHD)

BODY  
77 = 93.4 WB

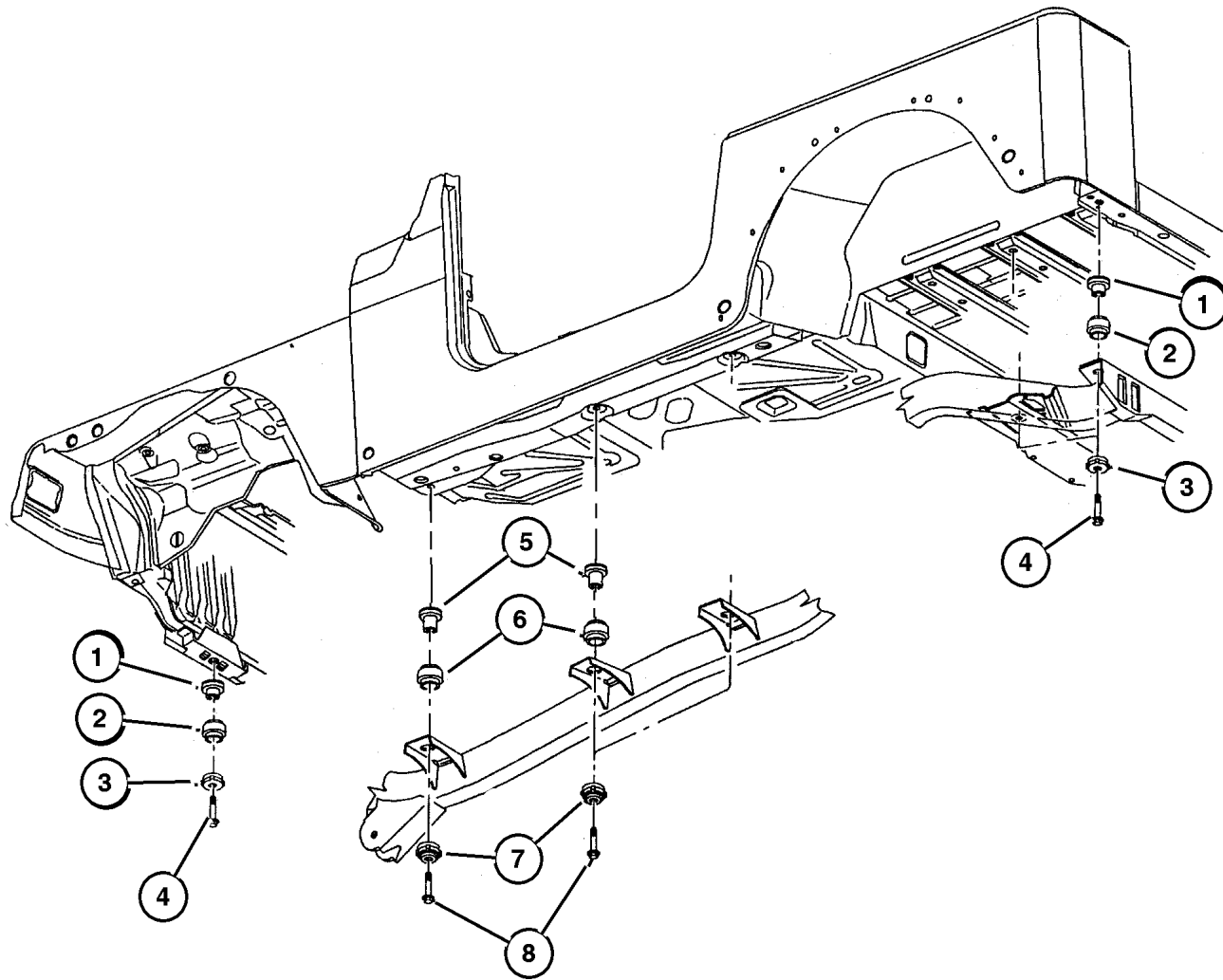
ENGINE  
ED1, ED0 = 2.4L DOHC  
ERH = 4.0L Power Tech

TRANSMISSION  
DGG, DGD = 32RH 3 Spd Auto  
DDD = 5 Speed HD Manual  
DGO = Auto. Trans.  
DBB = Manual Trans.  
DDK = 5 Speed Manual



## Body Mounting Hardware Figure 013-510

ITEM	PART NUMBER	QTY	LINE	SERIES	BODY	ENGINE	TRANS	TRIM	DESCRIPTION
1	5200 1961	6							RETAINER, Body Mount
2	5517 6179	5							INSULATOR, Body Hold Down
3	5517 6178	5							INSULATOR, Body Hold Down
4									SCREW, .437-14x.75, Use J4007412, (NOT SERVICED) (Not Serviced)
5	5200 1961	6							RETAINER, Body Mount
6	55176 177AB	6							INSULATOR, Body Hold Down
7	5517 6180	6							INSULATOR, Body Hold Down
8									SCREW, Hex Flange Head, .50-13x3.75, (NOT SERVICED) (Not Serviced)



### JEEP WRANGLER (TJ)

SERIES	LINE	BODY	ENGINE	TRANSMISSION
H = Sport	J = Wrangler 4WD	77 = 93.4 WB	ED1, ED0 = 2.4L DOHC	DGG, DGD = 32RH 3 Spd Auto
L = SE	U = Wrangler 4WD (RHD)		ERH = 4.0L Power Tech	DDD = 5 Speed HD Manual
M = X				DG0 = Auto. Trans.
P = Sahara				DBB = Manual Trans.
S = Rubicon				DDK = 5 Speed Manual

AR = Use as required - = Non illustrated part # = New this model year

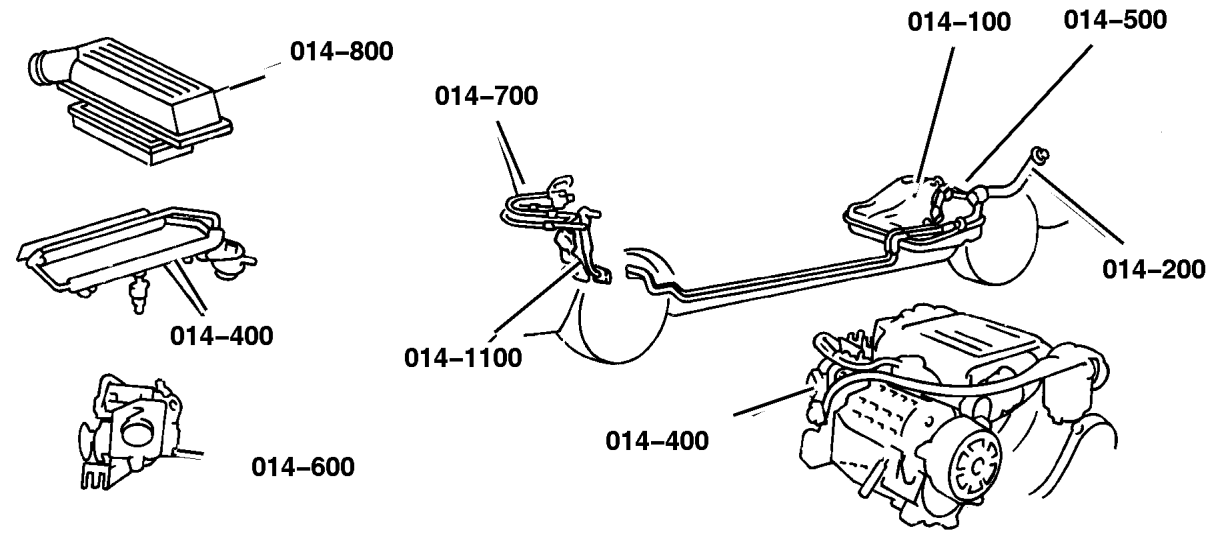
September 29, 2003

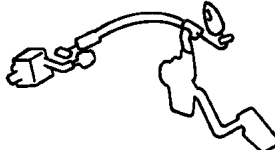

# Group – 014

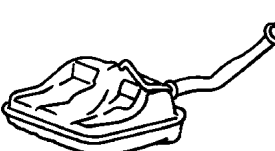

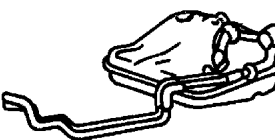
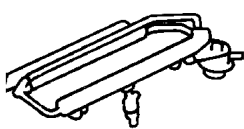
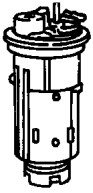

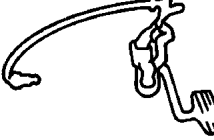
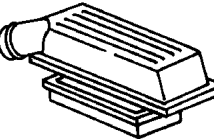
## Fuel

# Group – 014

## Fuel



<p><b>014-1000</b> Speed Control</p> 	<p><b>014-1100</b> Accelerator Pedal</p> 		
--	--	--	--

<p><b>014-100</b> Tank, Fuel</p> 	<p><b>014-200</b> Fuel Tank Filler Tube</p> 	<p><b>014-300</b> Fuel Lines</p> 	<p><b>014-400</b> Fuel Rail</p> 
<p><b>014-500</b> Fuel Pump and Sending Unit</p> 	<p><b>014-600</b> Throttle Body</p> 	<p><b>014-700</b> Throttle Controls</p> 	<p><b>014-800</b> Air Cleaner</p> 



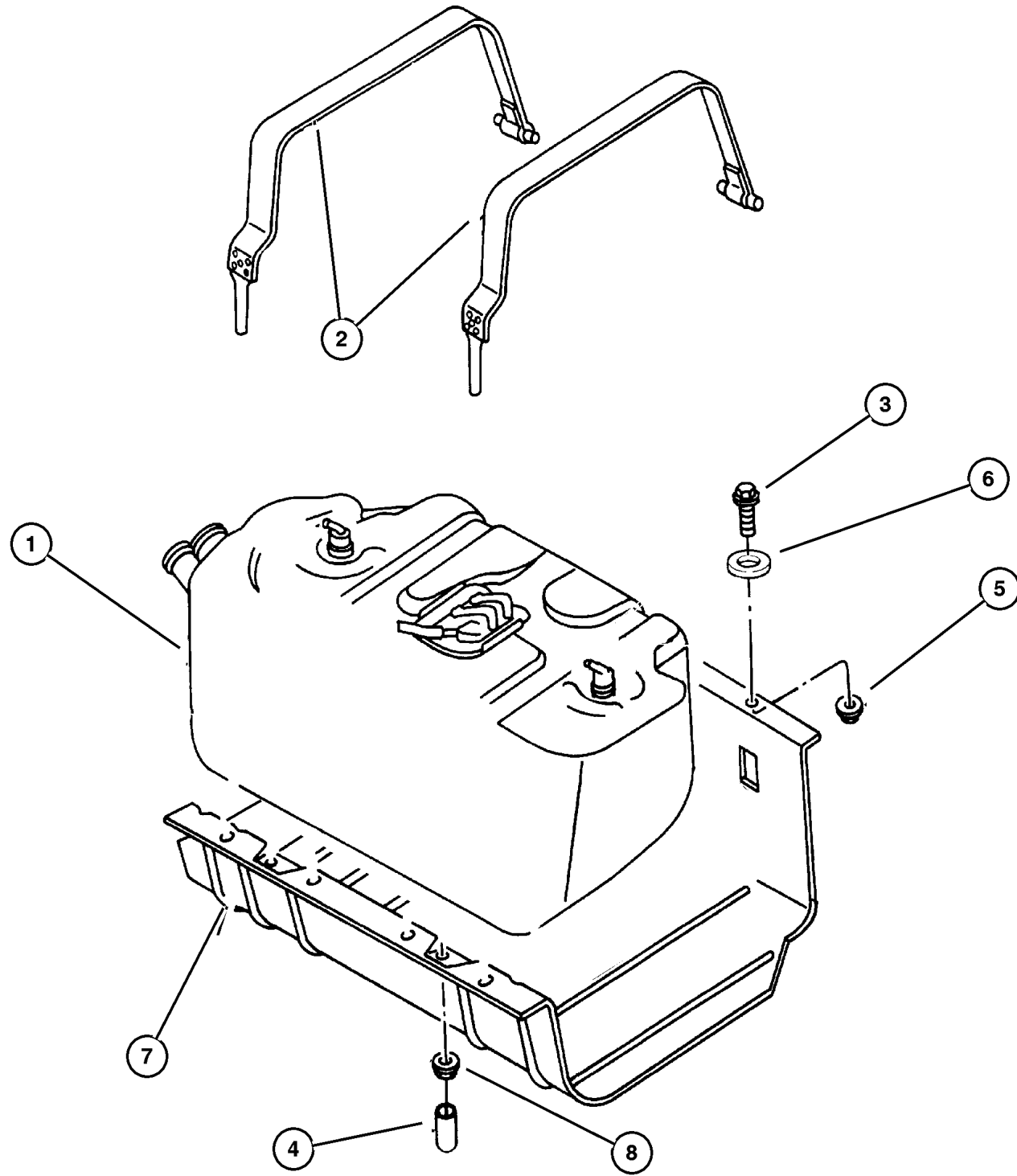
---

## GROUP 14 - Fuel

Illustration Title	Group-Fig. No.
<b>Tank, Fuel</b>	
Fuel Tank, 2.4 (ED1), 4.0 (ERH) .....	Fig. 014-110
<b>Fuel Tank Filler Tube</b>	
Fuel Filler Tube, 2.4 (ED1), 4.0 (ERH) .....	Fig. 014-210
<b>Fuel Lines</b>	
Fuel Lines, Front,2.4 (ED1) 4.0 (ERH) .....	Fig. 014-310
Fuel Lines, Rear, Chassis 2.4L (ED1) 4.0 (ERH) .....	Fig. 014-320
<b>Fuel Rail</b>	
Fuel Injection System, 2.4 (ED1), 4.0 (ERH) .....	Fig. 014-410
<b>Fuel Pump and Sending Unit</b>	
Fuel Module, 2.4 (ED1), 4.0 (ERH) .....	Fig. 014-510
<b>Throttle Body</b>	
Throttle Body, 2.4 (ED1), 4.0 (ERH) .....	Fig. 014-610
<b>Throttle Controls</b>	
Throttle Controls, 2.4 (ED1), 4.0 (ERH) .....	Fig. 014-710
<b>Air Cleaner</b>	
Air Cleaner, 2.4 (ED1), 4.0 (ERH) .....	Fig. 014-810
<b>Speed Control</b>	
Speed Control, 2.4 (ED1), 4.0 (ERH) .....	Fig. 014-1010
<b>Accelerator Pedal</b>	
Accelerator Pedal, 2.4 (ED1), 4.0 (ERH) .....	Fig. 014-1110



Fuel Tank, 2.4 (ED1), 4.0 (ERH)  
Figure 014-110



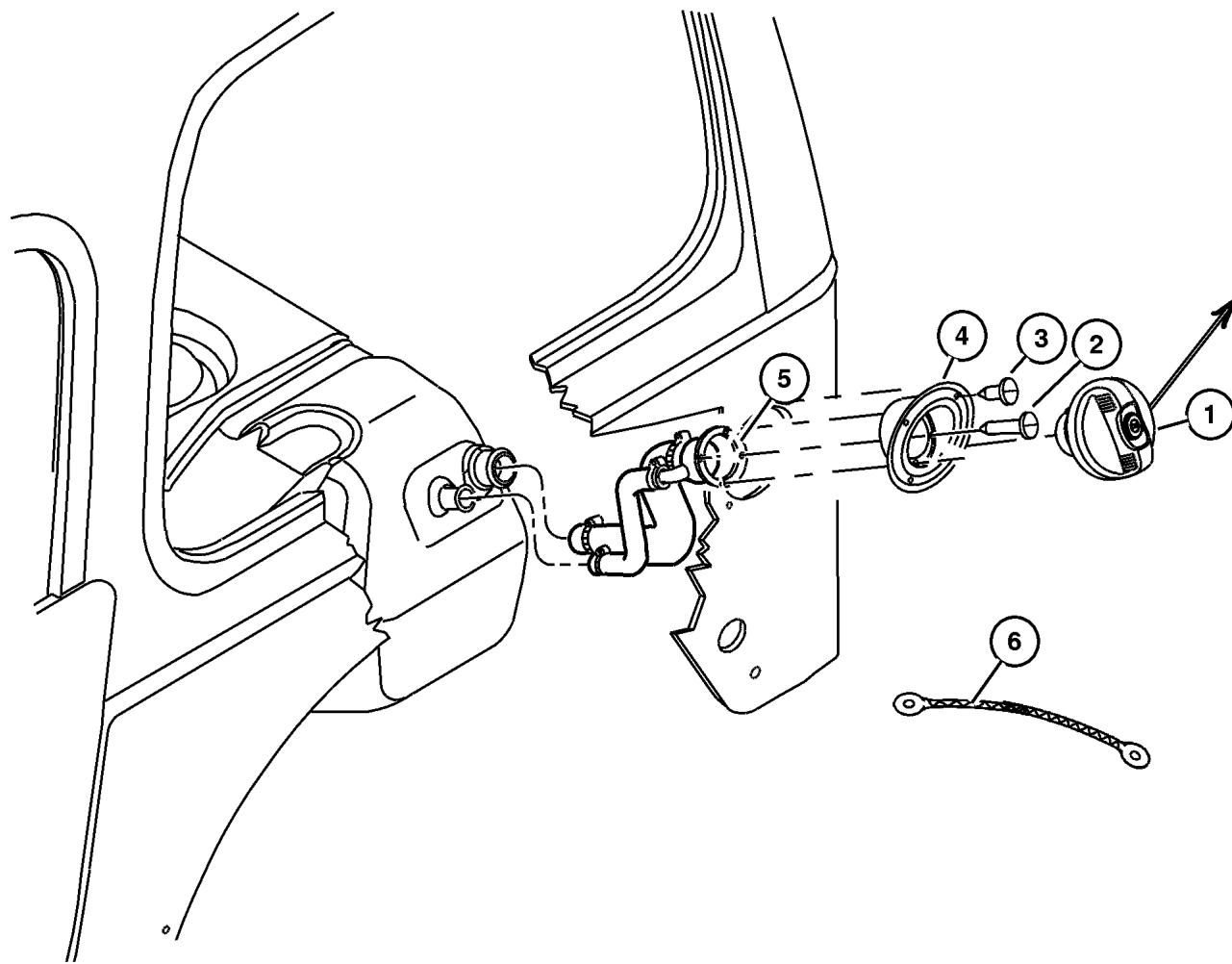
ITEM	PART NUMBER	QTY	LINE	SERIES	BODY	ENGINE	TRANS	TRIM	DESCRIPTION
NOTE: ED1=All 2.4L Gas Engines ER0=All 4.0L Engines									
1	#52100 484AC	1				ED1, ER0			TANK, Fuel
2	5210 0235	2							STRAP, Fuel Tank
3									BOLT, .312-18x.750, (NOT SERVICED) (Not Serviced)
4	5201 8098	2							CAP, Support Strap Stud
5	J400 3587	2							NUT, Hex
6	J400 5293	7							RETAINER, Push In Type M6.3 Hole
7	52100 219AB	1							PLATE, Skid, With Sales Code XEE
8	J400 3587	2							NUT, Hex

JEEP WRANGLER (TJ)				
SERIES	LINE	BODY	ENGINE	TRANSMISSION
H = Sport	J = Wrangler 4WD	77 = 93.4 WB	ED1, ED0 = 2.4L DOHC	DGG, DGD = 32RH 3 Spd Auto
L = SE	U = Wrangler 4WD (RHD)		ERH = 4.0L Power Tech	DDD = 5 Speed HD Manual
M = X				DG0 = Auto. Trans.
P = Sahara				DBB = Manual Trans.
S = Rubicon				DDK = 5 Speed Manual

AR = Use as required - = Non illustrated part # = New this model year

September 29, 2003

Fuel Filler Tube, 2.4 (ED1), 4.0 (ERH)  
Figure 014-210



ITEM	PART NUMBER	QTY	LINE	SERIES	BODY	ENGINE	TRANS	TRIM	DESCRIPTION
NOTE: EP0=All 2.5L Gas Engines ER0=All 4.0L Engines									
1	#52100 552AD	1	J						CAP, Fuel Filler [Non Locking Quick on]
	#52100 553AD	1	J						[Export Non Locking Quick on]
2	0153 832	4							SCREW, .190-16x1.00
3	0153 651	4							SCREW AND WASHER, .190-16x.500
4	#52127 675AD	1							HOUSING, Fuel Filler
5	#52100 495AD	1				ED1, ER0			TUBE, Fuel Filler
6	5600 9161	1							STRAP, Ground
-7	5016 763AC	1							CAP KIT, Fuel Tank Locking

JEEP WRANGLER (TJ)

SERIES	LINE	BODY	ENGINE	TRANSMISSION
H = Sport	J = Wrangler 4WD	77 = 93.4 WB	ED1, ED0 = 2.4L DOHC	DGG, DGD = 32RH 3 Spd Auto
L = SE	U = Wrangler 4WD (RHD)		ERH = 4.0L Power Tech	DDD = 5 Speed HD Manual
M = X				DG0 = Auto. Trans.
P = Sahara				DBB = Manual Trans.
S = Rubicon				DDK = 5 Speed Manual

AR = Use as required - = Non illustrated part # = New this model year

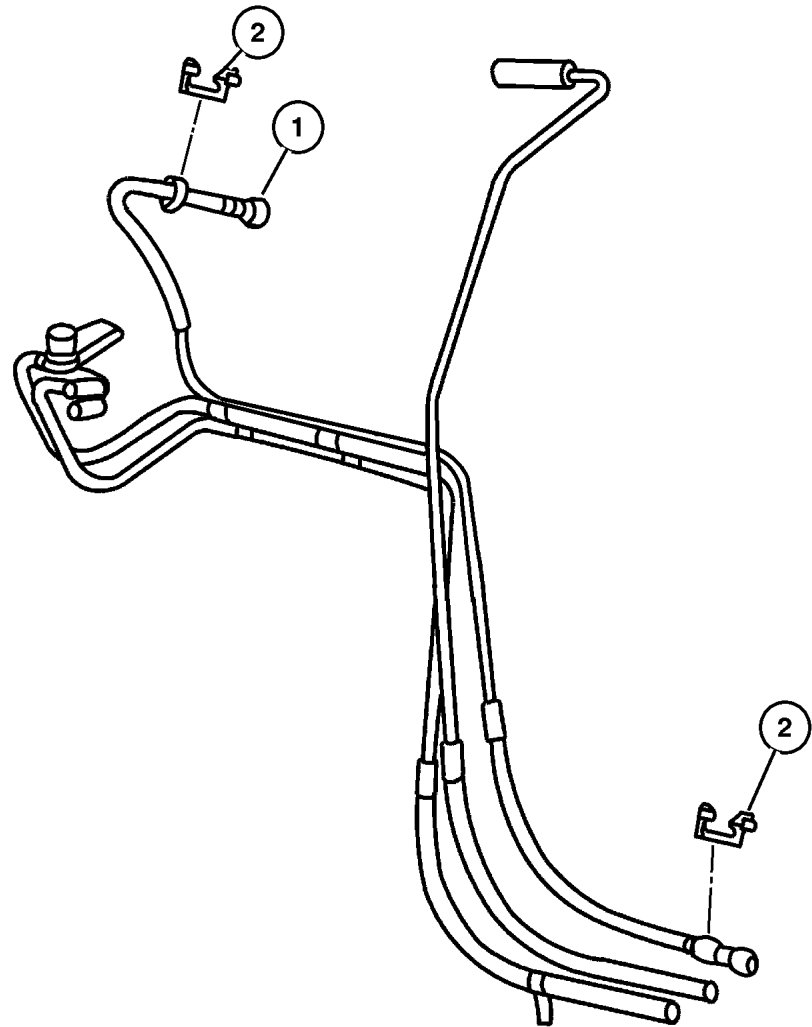
September 29, 2003

Fuel Lines, Front, 2.4 (ED1) 4.0 (ERH)  
Figure 014-310

ITEM	PART NUMBER	QTY	LINE	SERIES	BODY	ENGINE	TRANS	TRIM	DESCRIPTION
------	-------------	-----	------	--------	------	--------	-------	------	-------------

Note; ERO= All 4.0 Gas Engines

1									BUNDLE, Fuel Line
	#52100 490AD	1				ED0			
	#52100 493AD	1				ER0			
2									CLIP, Fuel
	#52850 680AA	2				ER0			
		2				ED0			



JEEP WRANGLER (TJ)

SERIES	LINE	BODY	ENGINE	TRANSMISSION
H = Sport	J = Wrangler 4WD	77 = 93.4 WB	ED1, ED0 = 2.4L DOHC	DGG, DGD = 32RH 3 Spd Auto
L = SE	U = Wrangler 4WD (RHD)		ERH = 4.0L Power Tech	DDD = 5 Speed HD Manual
M = X				DG0 = Auto. Trans.
P = Sahara				DBB = Manual Trans.
S = Rubicon				DDK = 5 Speed Manual

AR = Use as required - = Non illustrated part # = New this model year

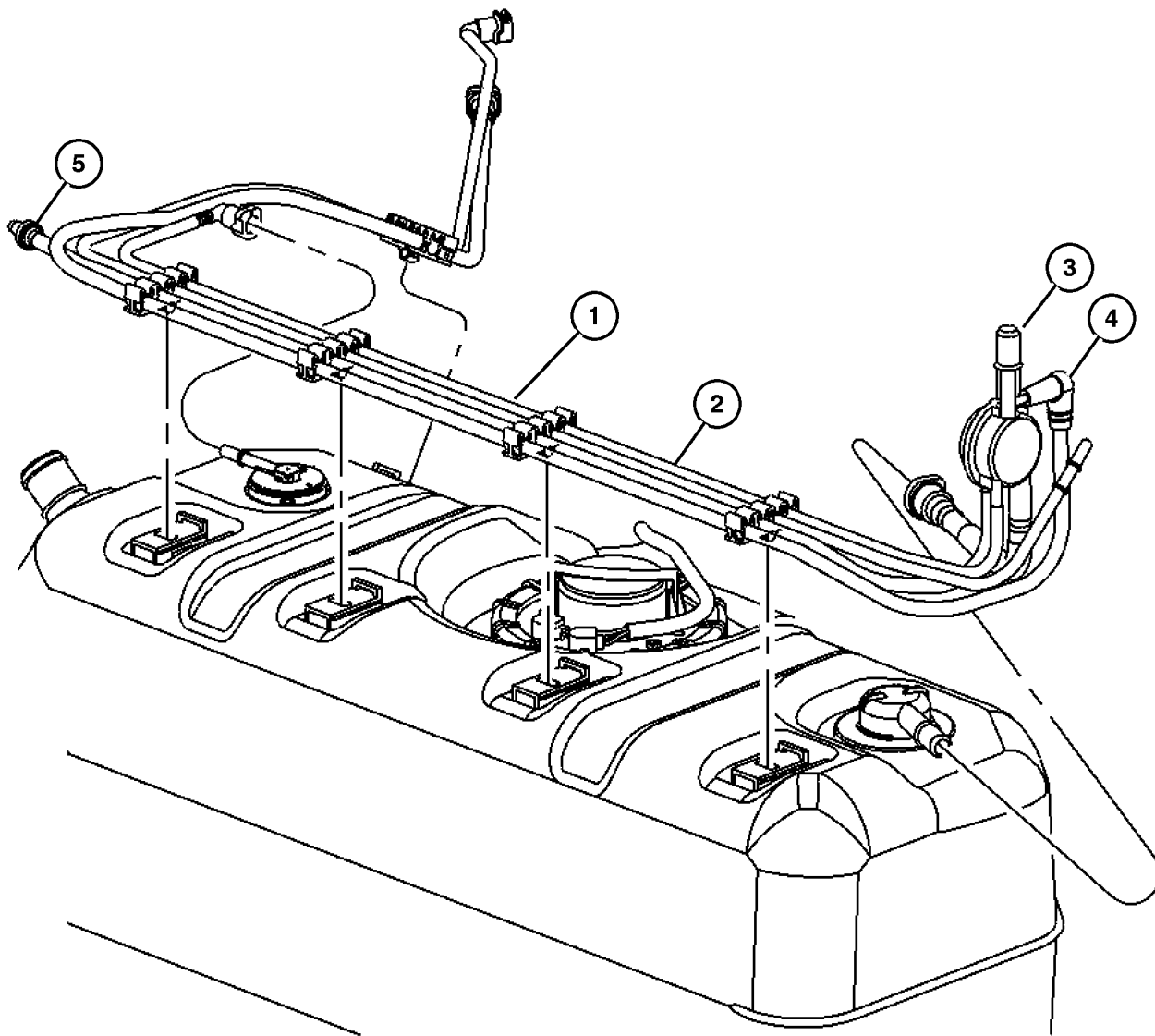
September 29, 2003

Fuel Lines, Rear, Chassis 2.4L (ED1) 4.0 (ERH)  
Figure 014-320

ITEM	PART NUMBER	QTY	LINE	SERIES	BODY	ENGINE	TRANS	TRIM	DESCRIPTION
------	-------------	-----	------	--------	------	--------	-------	------	-------------

Note; ED0= All 2.4L 4 Cylinder Gas Engines  
ER0= All 4.0L 6 Cylinder Gas Engines

1	#52100 489AD	1				ED0, ER0			BUNDLE, Fuel Supply and Vapor Lines
2	#52100 491AE	1				ED0, ER0			BUNDLE, Fuel Line
3									VALVE, Flow Control, (NOT SERVICED) (Not Serviced)
4									CONNECTOR, (NOT SERVICED) (Not Serviced)
5									CHECK VALVE, Fuel, (NOT SERVICED) (Not Serviced)



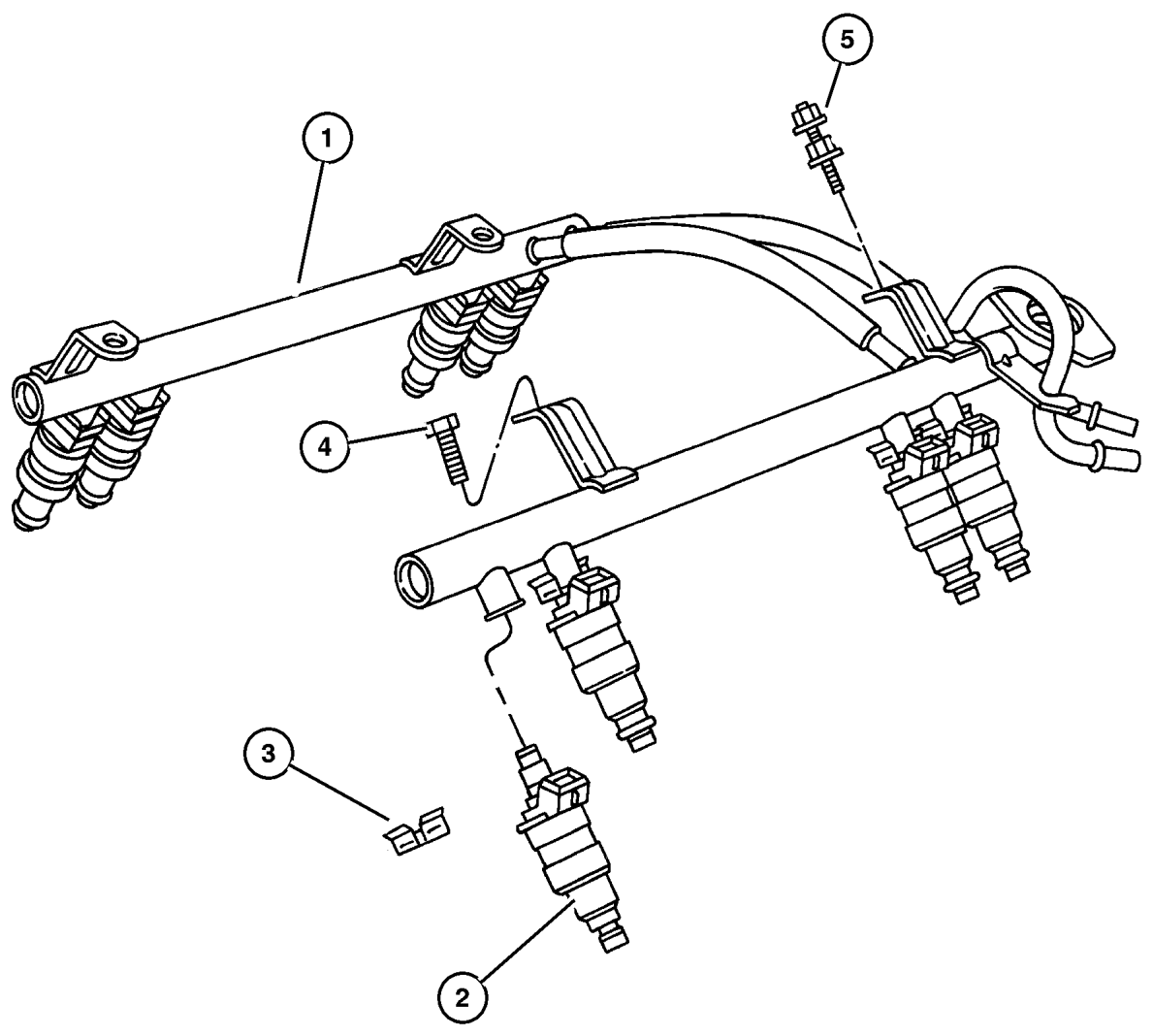
JEEP WRANGLER (TJ)		BODY	ENGINE	TRANSMISSION
SERIES	LINE	77 = 93.4 WB	ED1, ED0 = 2.4L DOHC ERH = 4.0L Power Tech	DGG, DGD = 32RH 3 Spd Auto DDD = 5 Speed HD Manual DGO = Auto. Trans. DBB = Manual Trans. DDK = 5 Speed Manual
H = Sport	J = Wrangler 4WD			
L = SE	U = Wrangler 4WD (RHD)			
M = X				
P = Sahara				
S = Rubicon				

AR = Use as required - = Non illustrated part # = New this model year

September 29, 2003

**Fuel Injection System, 2.4 (ED1), 4.0 (ERH)  
Figure 014-410**

ITEM	PART NUMBER	QTY	LINE	SERIES	BODY	ENGINE	TRANS	TRIM	DESCRIPTION
NOTE: EDO=All 2.4L Gas Engines ER0=All 4.0L Engines									
1	5014 496AB	1				ER0			RAIL, Fuel
	#5072 484AB	1				ED0			
2	4854 181	6				ER0			INJECTOR, Fuel
	53013 490AA	4				ED0			Engines - All 4.0L 6 CYL Gas
3	4418 257AB	6				ER0			CLIP, Fuel Injector
	#53013 504AB	4				ED0			
4	6501 979	2				ER0			SCREW AND WASHER, Hex Head, M6x1x17
5	6502 647	2				ER0			STUD, M6x1.00x44

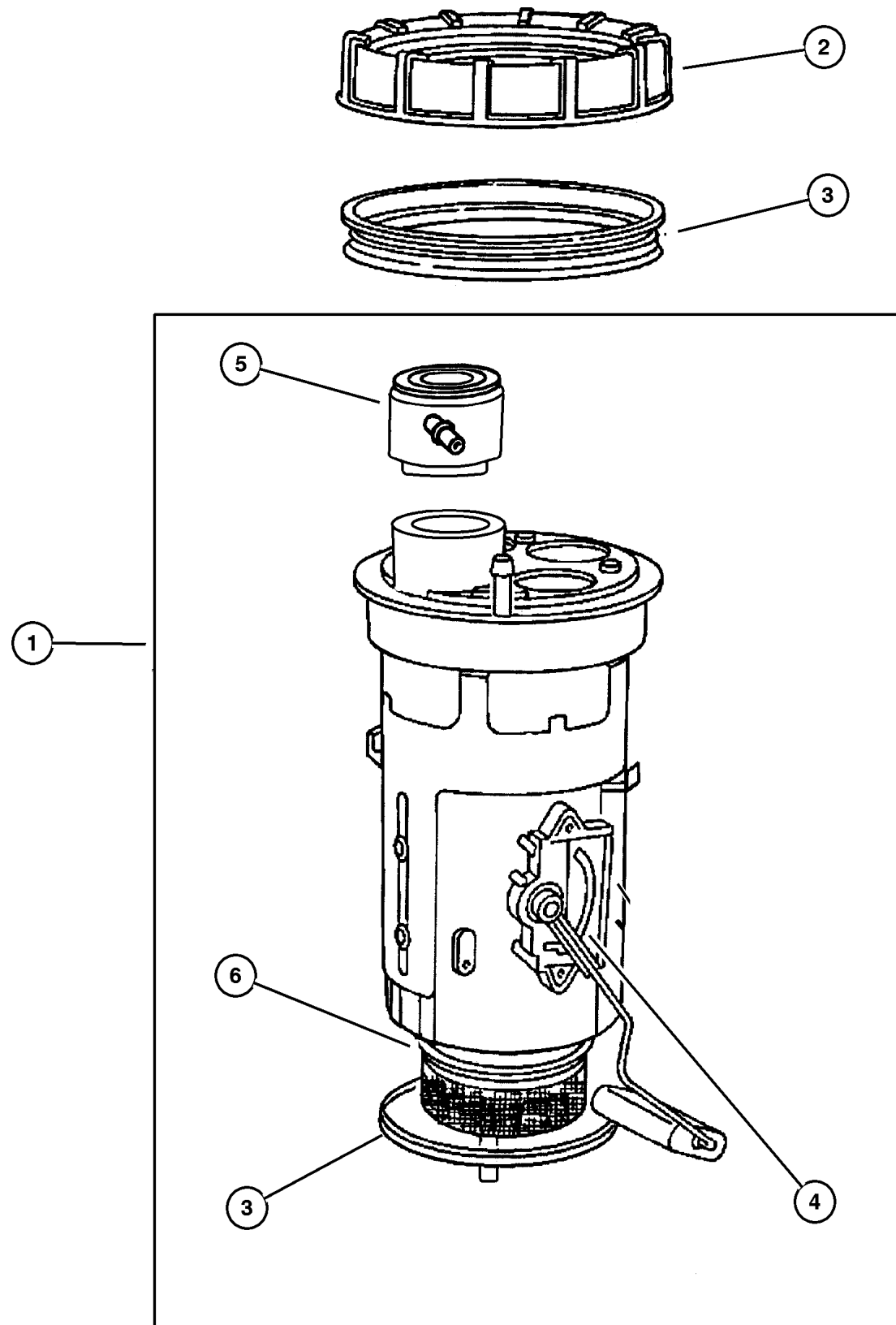


<b>JEEP WRANGLER (TJ)</b>				
SERIES	LINE	BODY	ENGINE	TRANSMISSION
H = Sport	J = Wrangler 4WD	77 = 93.4 WB	ED1, ED0 = 2.4L DOHC	DGG, DGD = 32RH 3 Spd Auto
L = SE	U = Wrangler 4WD (RHD)		ERH = 4.0L Power Tech	DDD = 5 Speed HD Manual
M = X				DG0 = Auto. Trans.
P = Sahara				DBB = Manual Trans.
S = Rubicon				DDK = 5 Speed Manual

AR = Use as required - = Non illustrated part # = New this model year September 29, 2003



Fuel Module, 2.4 (ED1), 4.0 (ERH)  
Figure 014-510



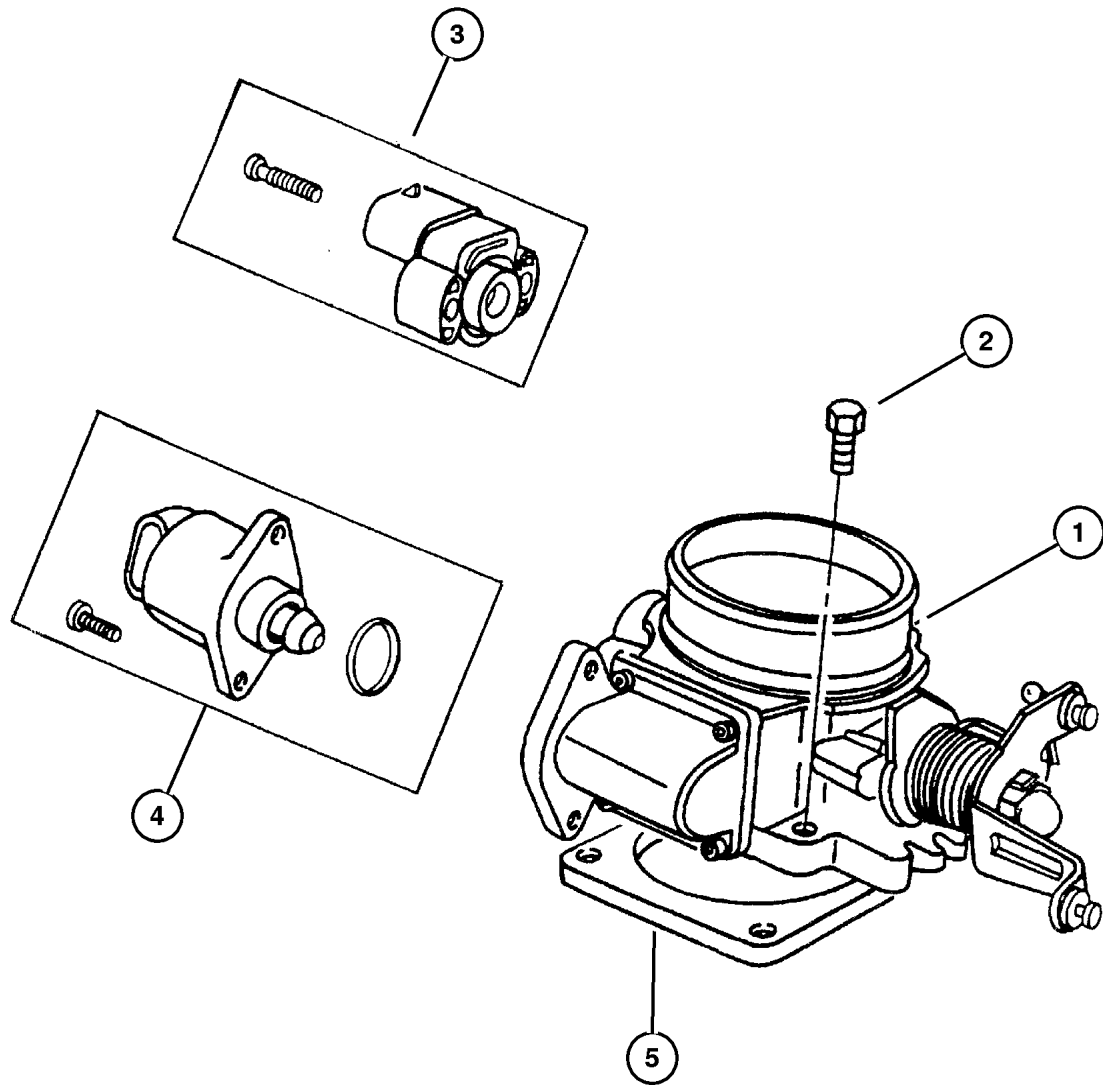
ITEM	PART NUMBER	QTY	LINE	SERIES	BODY	ENGINE	TRANS	TRIM	DESCRIPTION
NOTE: ED0=All 2.4L Gas Engines ER0=All 4.0L Engines									
1	#5093 788AA	1				ED1, ER0			MODULE PACKAGE, Fuel Tank
2	5200 5389	1				ED1, ER0			NUT, Fuel Pump Module
3	5201 8808	1				ED1, ER0			SEAL, Fuel Pump and Level Unit
4	4897 757AC	1				ED1, ER0			LEVEL UNIT PACKAGE, Fuel
5	4798 301	1				ED1, ER0			FILTER, Fuel
6									FILTER, Fuel Module, Serviced in Module Assembly, (NOT SERVICED) (Not Serviced)

JEEP WRANGLER (TJ)				
SERIES	LINE	BODY	ENGINE	TRANSMISSION
H = Sport	J = Wrangler 4WD	77 = 93.4 WB	ED1, ED0 = 2.4L DOHC	DGG, DGD = 32RH 3 Spd Auto
L = SE	U = Wrangler 4WD (RHD)		ERH = 4.0L Power Tech	DDD = 5 Speed HD Manual
M = X				DG0 = Auto. Trans.
P = Sahara				DBB = Manual Trans.
S = Rubicon				DDK = 5 Speed Manual

AR = Use as required - = Non illustrated part # = New this model year

September 29, 2003

**Throttle Body, 2.4 (ED1), 4.0 (ERH)  
Figure 014-610**



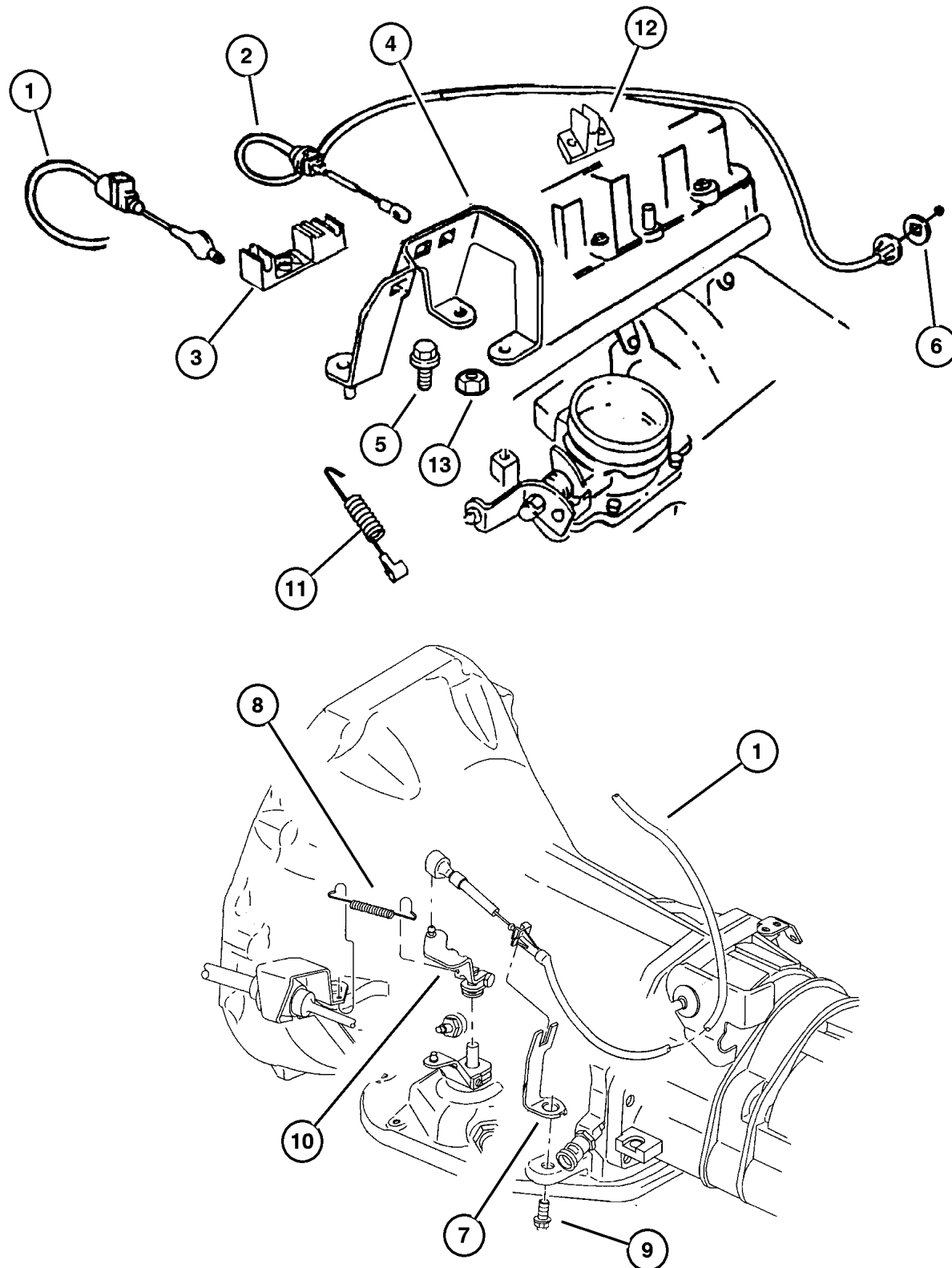
ITEM	PART NUMBER	QTY	LINE	SERIES	BODY	ENGINE	TRANS	TRIM	DESCRIPTION
NOTE: ED1=All 2.4L Gas Engines ER0=All 4.0L Engines									
1	53013 290AA	1				ER0			THROTTLE BODY
2	6503 929	4				ER0			SCREW AND WASHER, Coned Pilot, M6x1x30
3									SENSOR KIT, Throttle Position
	5019 411AB	1				ED0			
		1				ER0			
4	4874 373AB	1				ER0			MOTOR, Air Idle Speed
5	5300 7543	1				ER0			GASKET, Throttle Body
-6	5300 9672	1				ER0			CONNECTOR, Emission Hose

<b>JEEP WRANGLER (TJ)</b>				
SERIES	LINE	BODY	ENGINE	TRANSMISSION
H = Sport	J = Wrangler 4WD	77 = 93.4 WB	ED1, ED0 = 2.4L DOHC	DGG, DGD = 32RH 3 Spd Auto
L = SE	U = Wrangler 4WD (RHD)		ERH = 4.0L Power Tech	DDD = 5 Speed HD Manual
M = X				DG0 = Auto. Trans.
P = Sahara				DBB = Manual Trans.
S = Rubicon				DDK = 5 Speed Manual

AR = Use as required - = Non illustrated part # = New this model year

September 29, 2003

Throttle Controls, 2.4 (ED1), 4.0 (ERH)  
Figure 014-710



ITEM	PART NUMBER	QTY	LINE	SERIES	BODY	ENGINE	TRANS	TRIM	DESCRIPTION
NOTE: ED1=All 2.4L Gas Engines ER0=All 4.0L Engines DBB=All Manual Transmissions DG0=All Automatic Transmissions									
1									CABLE, Throttle Valve, (NOT REQUIRED)
2									CABLE, Accelerator
	4854 137	1				ER0			
	#52109 501AB	1	J			ED0			
3	5207 9029	1				ER0			GUIDE, Accelerator Cable
4	53013 160AA	1				ER0			BRACKET, Accelerator Cable
5	6501 979	2				ER0			SCREW AND WASHER, Hex Head, M6x1x17
6									PLUG, Access Hole, (NOT REQUIRED)
7	52127 952AC	1							BRACKET, Cable
8	52078 102AB	1				ER0	DBB		SPRING, Throttle Return
9	6501 979	2				ER0			SCREW AND WASHER, Hex Head, M6x1x17
10									LEVER, Throttle Valve, (NOT REQUIRED)
11	52078 102AB	1				ER0	DBB		SPRING, Throttle Return
12									GUIDE, Accelerator Cable
	#52109 563AA	1	J			ER0			
		1	U			ER0			
13	6100 047	1				ED0			NUT AND WASHER, Hex Nut-Coned Washer, M6 x 1.00
-14	53013 681AA	AR							CLIP, Locking, Accelerator Cable
-15	53013 682AA	AR							CLIP, Push In

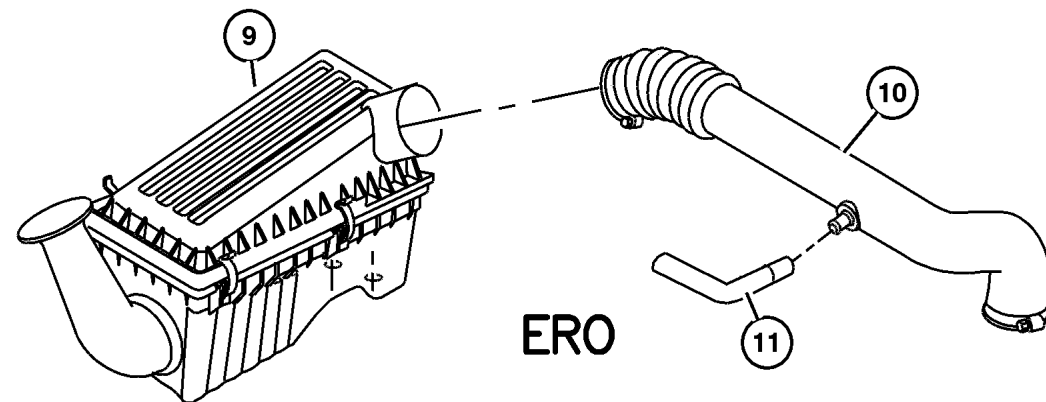
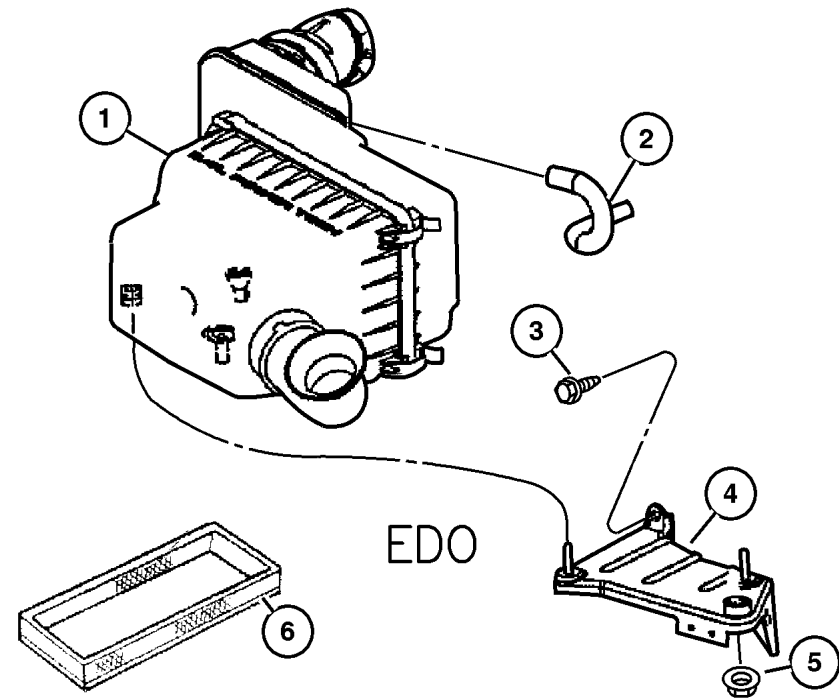
JEEP WRANGLER (TJ)

SERIES	LINE	BODY	ENGINE	TRANSMISSION
H = Sport	J = Wrangler 4WD	77 = 93.4 WB	ED1, ED0 = 2.4L DOHC	DGG, DGD = 32RH 3 Spd Auto
L = SE	U = Wrangler 4WD (RHD)		ERH = 4.0L Power Tech	DDD = 5 Speed HD Manual
M = X				DG0 = Auto. Trans.
P = Sahara				DBB = Manual Trans.
S = Rubicon				DDK = 5 Speed Manual

AR = Use as required - = Non illustrated part # = New this model year

September 29, 2003

**Air Cleaner, 2.4 (ED1), 4.0 (ERH)  
Figure 014-810**



ITEM	PART NUMBER	QTY	LINE	SERIES	BODY	ENGINE	TRANS	TRIM	DESCRIPTION
NOTE: ED1=All 2.4L Gas Engines ER0=All 4.0L Engines									
1	#53013 501AA	1				ED0			BODY, Air Cleaner
2	53013 093AA	1				ED0			TUBE, Crankcase Vent To Air Cleaner
3	6503 692	2				ED0			SCREW, M8-1.25
4	53013 473AA	1				ED0			BRACKET, Air Cleaner
5	6501 483	1				ED0			NUT, Hex Flange, M8x1.25
6	4797 777AB	1				ER0			FILTER, Air
	5019 443AA	1				ED0			
-7	53013 475AA	1				ED0			CLAMP, Hose to Throttle Body
-8	53013 476AA	1				ED0			CLAMP, Hose to Air Cleaner
9	53013 650AA	1				ER0			AIR CLEANER
10	5303 0611	1				ER0			HOSE, Air Cleaner
11	5303 0615	1				ER0			TUBE, Crankcase Vent Valve
-12	6101 444	3				ER0			NUT AND WASHER, Hex, M6x1.0
		2				ED0			

**JEEP WRANGLER (TJ)**

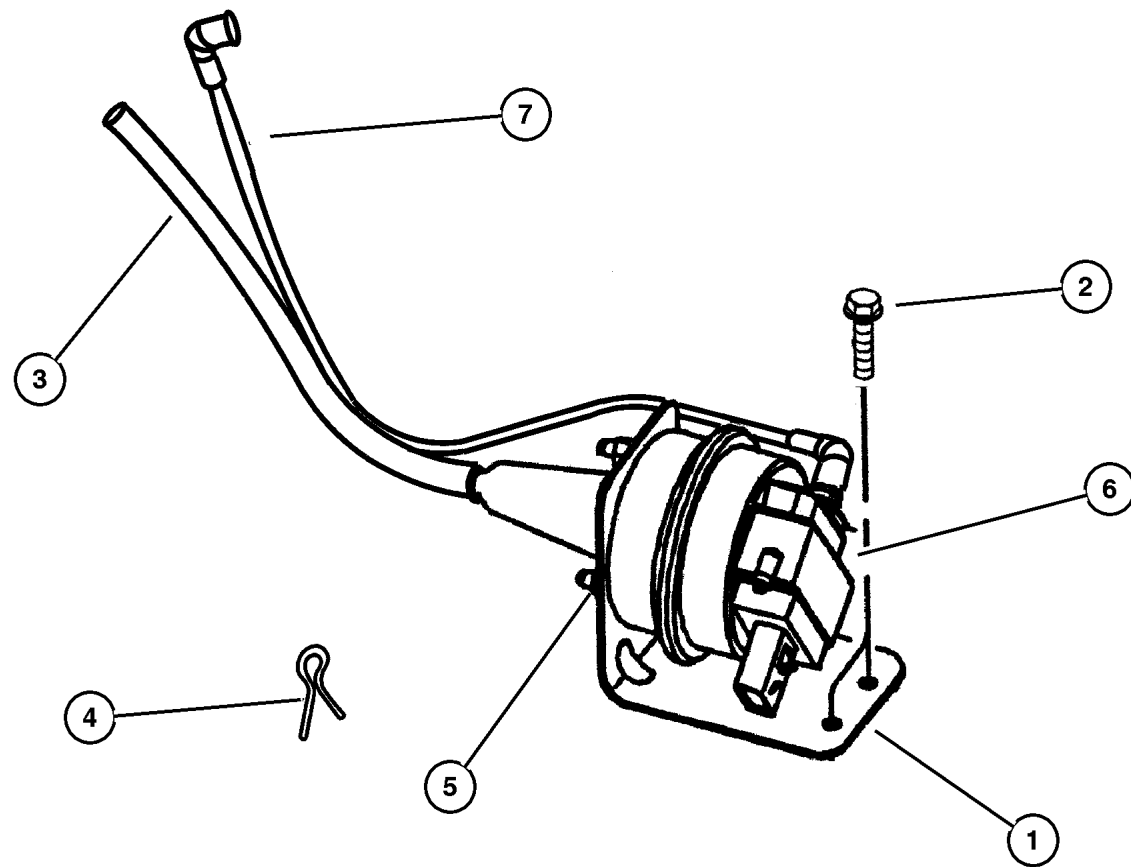
SERIES	LINE	BODY	ENGINE	TRANSMISSION
H = Sport	J = Wrangler 4WD	77 = 93.4 WB	ED1, ED0 = 2.4L DOHC	DGG, DGD = 32RH 3 Spd Auto
L = SE	U = Wrangler 4WD (RHD)		ERH = 4.0L Power Tech	DDD = 5 Speed HD Manual
M = X				DG0 = Auto. Trans.
P = Sahara				DBB = Manual Trans.
S = Rubicon				DDK = 5 Speed Manual

AR = Use as required - = Non illustrated part # = New this model year

September 29, 2003

**Speed Control, 2.4 (ED1), 4.0 (ERH)  
Figure 014-1010**

ITEM	PART NUMBER	QTY	LINE	SERIES	BODY	ENGINE	TRANS	TRIM	DESCRIPTION
Note; ED1= 2.4 Gas Engines, ERO= All 4.0 Gas Engines.									
1	#52109 523AB	1				ED1			BRACKET, Speed Control Servo
		1				ERO			
2									SCREW, M6x1.00x20.00, (NOT SERVICED) (Not Serviced)
3	#52109 524AC	1				ERO			CABLE, Speed Control
	#52109 527AB	1				ED1			
4	6025 867	1				ED1			CLIP, Cable to Servo Attach
		1				ERO			
5	6502 493	2				ED1			NUT, Hex Flange Serration, M6x1
		2				ERO			
6	4669 979	1				ED1			SERVO, Speed Control
		1				ERO			
7	#52109 525AB	1				ERO			HARNESS, Speed Control Vacuum
	#52109 529AC	1				ED1			

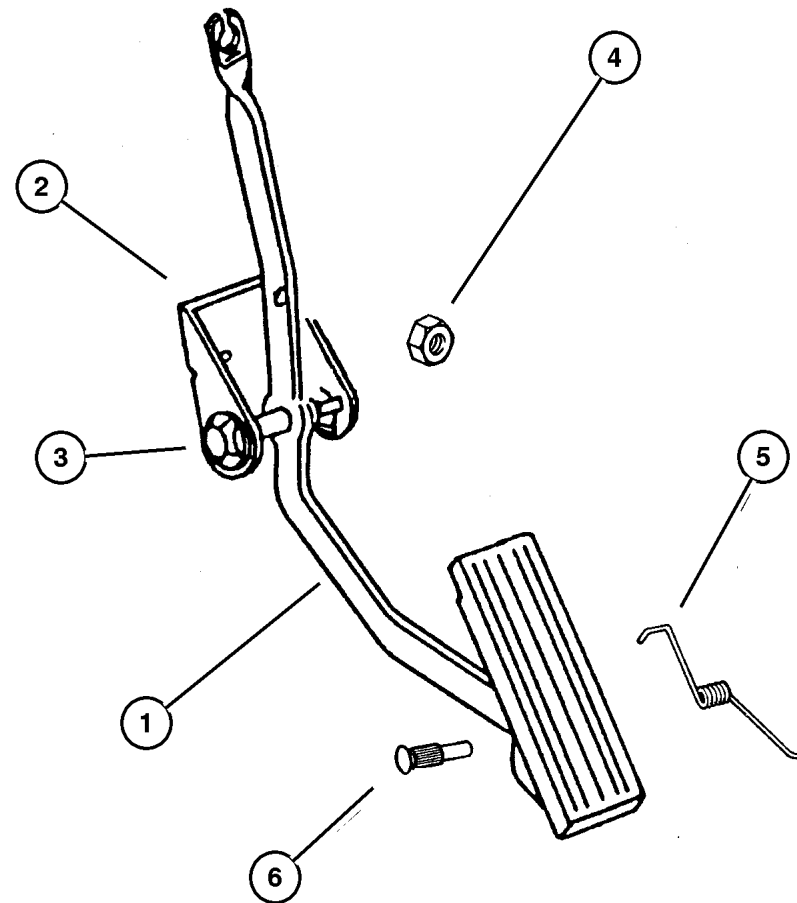


<b>JEEP WRANGLER (TJ)</b>				
SERIES	LINE	BODY	ENGINE	TRANSMISSION
H = Sport	J = Wrangler 4WD	77 = 93.4 WB	ED1, ED0 = 2.4L DOHC	DGG, DGD = 32RH 3 Spd Auto
L = SE	U = Wrangler 4WD (RHD)		ERH = 4.0L Power Tech	DDD = 5 Speed HD Manual
M = X				DG0 = Auto. Trans.
P = Sahara				DBB = Manual Trans.
S = Rubicon				DDK = 5 Speed Manual

AR = Use as required - = Non illustrated part # = New this model year

September 29, 2003

**Accelerator Pedal, 2.4 (ED1), 4.0 (ERH)  
Figure 014-1110**



ITEM	PART NUMBER	QTY	LINE	SERIES	BODY	ENGINE	TRANS	TRIM	DESCRIPTION
NOTE: ED1=I 24L Gas Engines ER0=All 4.0L Engines									
1									PEDAL, Accelerator
	5207 8714	1	J			ED0, ER0			
	5207 8715	1	U			ED0, ER0			
2									BRACKET, Accelerator Cable, Serviced in Pedal Assembly, (NOT SERVICED) (Not Serviced)
3									BUSHING, Accelerator Pedal
	5207 8653	2	J			ED0, ER0			
		2	U			ED0, ER0			
4	3420 1680	2							NUT, Hex Flange, M6x1
5									SPRING, Torsion
	5303 0874	1	J			ED0, ER0			
		1	U			ED0, ER0			
6									PIN, Accelerator Pedal Mtg.
	5207 9019	1	J			ED0, ER0			
		1	U			ED0, ER0			

**JEEP WRANGLER (TJ)**

SERIES	LINE	BODY	ENGINE	TRANSMISSION
H = Sport	J = Wrangler 4WD	77 = 93.4 WB	ED1, ED0 = 2.4L DOHC	DGG, DGD = 32RH 3 Spd Auto
L = SE	U = Wrangler 4WD (RHD)		ERH = 4.0L Power Tech	DDD = 5 Speed HD Manual
M = X				DG0 = Auto. Trans.
P = Sahara				DBB = Manual Trans.
S = Rubicon				DDK = 5 Speed Manual

AR = Use as required - = Non illustrated part # = New this model year

September 29, 2003

# Group – 016

## Propeller Shafts and U-Joints

### GROUP 16 - Propeller Shafts and U-Joints

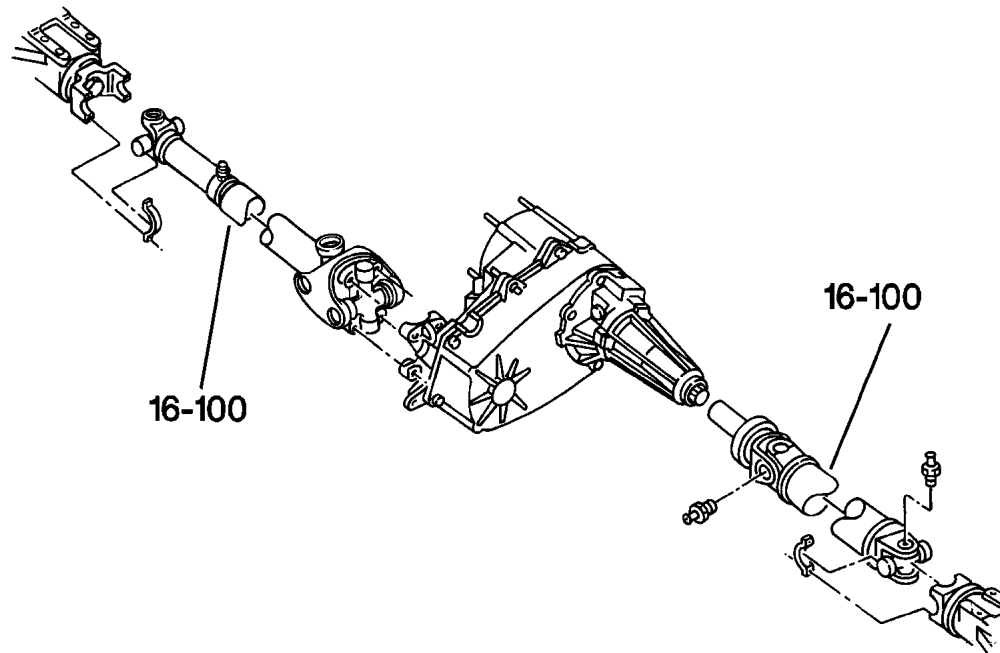
Illustration Title

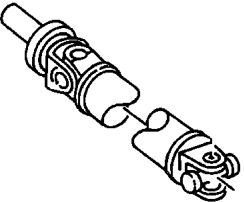
Group-Fig. No.

#### Propeller Shaft

Propshaft, Front and Rear

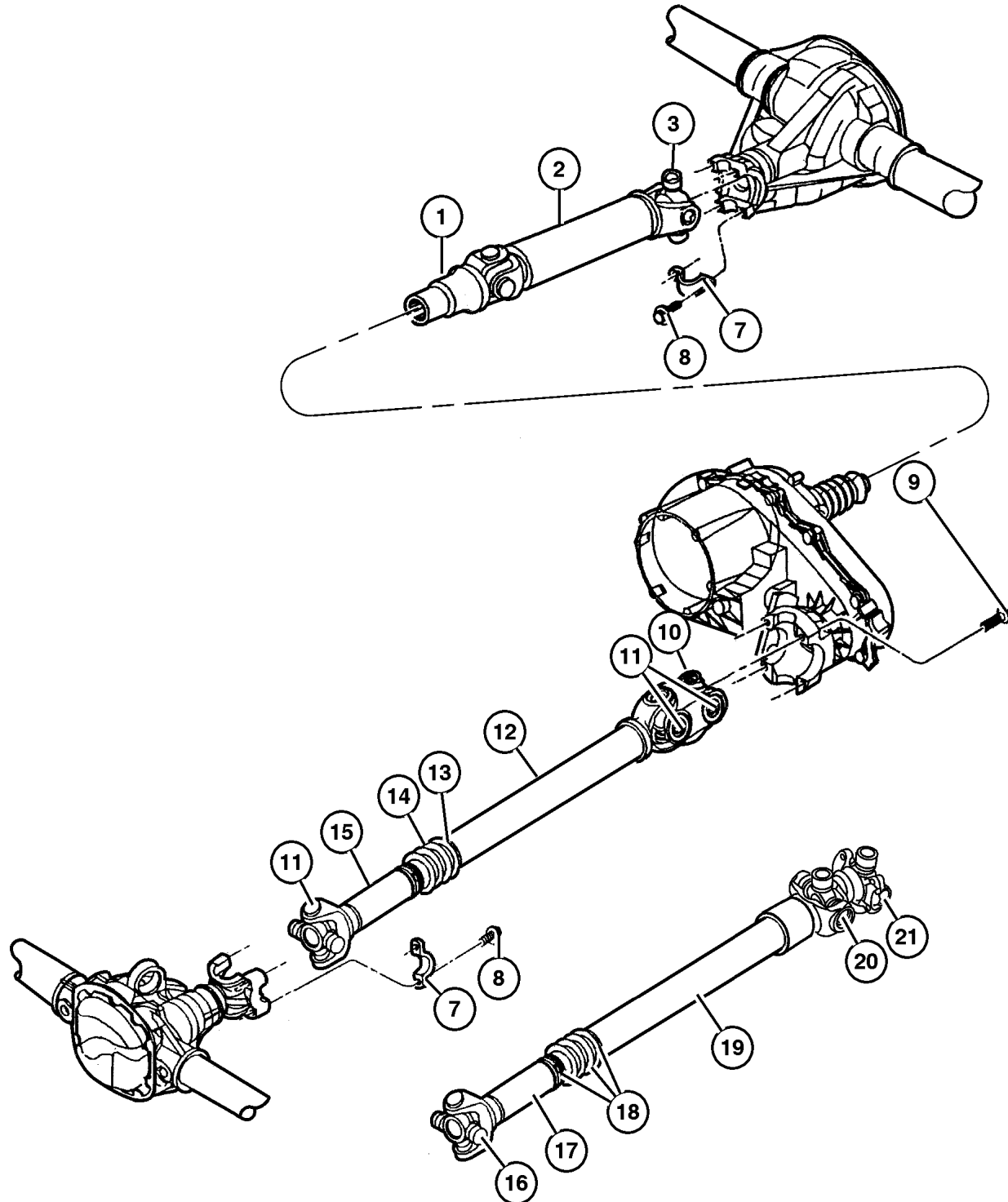
Fig. 016-110



<p><b>016-100</b> Propeller Shaft</p> 			
---	--	--	--

**Propshaft,Front and Rear  
Figure 016-110**

ITEM	PART NUMBER	QTY	LINE	SERIES	BODY	ENGINE	TRANS	TRIM	DESCRIPTION
Note:Sales Codes;									
[DBB]=Transmissions - All Manual									
[DDK]=Transmission - 5-Speed Heavy Duty Manual									
[DG0]=Transmissions - All Automatic									
[DG6]=Transmission 4-Speed Automatic, 42RL									
[DRJ]=Axle - Rear,Dana M35/194MM									
[DRK]=Axle - Rear,Dana 44/226MM									
[ED0]=Engines - All 2.2L,2.5L,2.4L 4 Cylinder Gas									
[ER0]=Engines - All 4.0L 6 Cylinder Gas									
1									YOKE, Drive Shaft
	4882 714	1				ED0	DDK		
		1				ED0	DG6		
		1				ER0			[DHN]
	#5093 821AA	1				ER0			[DHW]
2									SHAFT, Drive, Rear 1-Piece
	#52853 407AA	1				ED0	DDK		
	#52853 405AA	1				ED0	DG6		
	52098 787AC	1				ER0			[DHN]
	52098 784AC	1				ER0			
	#52853 410AA	1				ER0			[DHW]
3									U JOINT
	5015 694AA	2				ED0	DDK		
		2				ED0	DG6		
	4882 793	1				ER0			[DHN]
		2				ER0	DG6		
	#5093 377AA	1				ER0			[DHW], Front
	#5093 820AA	1				ER0			[DHW], Rear
-4									RING, U Joint
	J320 7886	1				ED0	DDK		[DRJ] As Required
		1				ED0	DG6		[DRJ] As Required
		1				ER0			[DHN] As Required
		1				ER0			[DRJ] As Required
-5	#5093 824AA	1				ER0			FLANGE, Drive Shaft, [DRK,DHW] On Rear of Drive Shaft
-6	6506 497AA	4							BOLT, Hex Head, M12, [DRK,DHW] Flange to Rear Axle Yoke, Mounting
7	J324 0553	2							STRAP, Prop Shaft, Prop Shaft, Mounting
8	J400 6928	4							BOLT, Prop Shaft, Mounting



**JEEP WRANGLER (TJ)**

SERIES  
H = Sport  
L = SE  
M = X  
P = Sahara  
S = Rubicon

LINE  
J = Wrangler 4WD  
U = Wrangler 4WD (RHD)

BODY  
77 = 93.4 WB

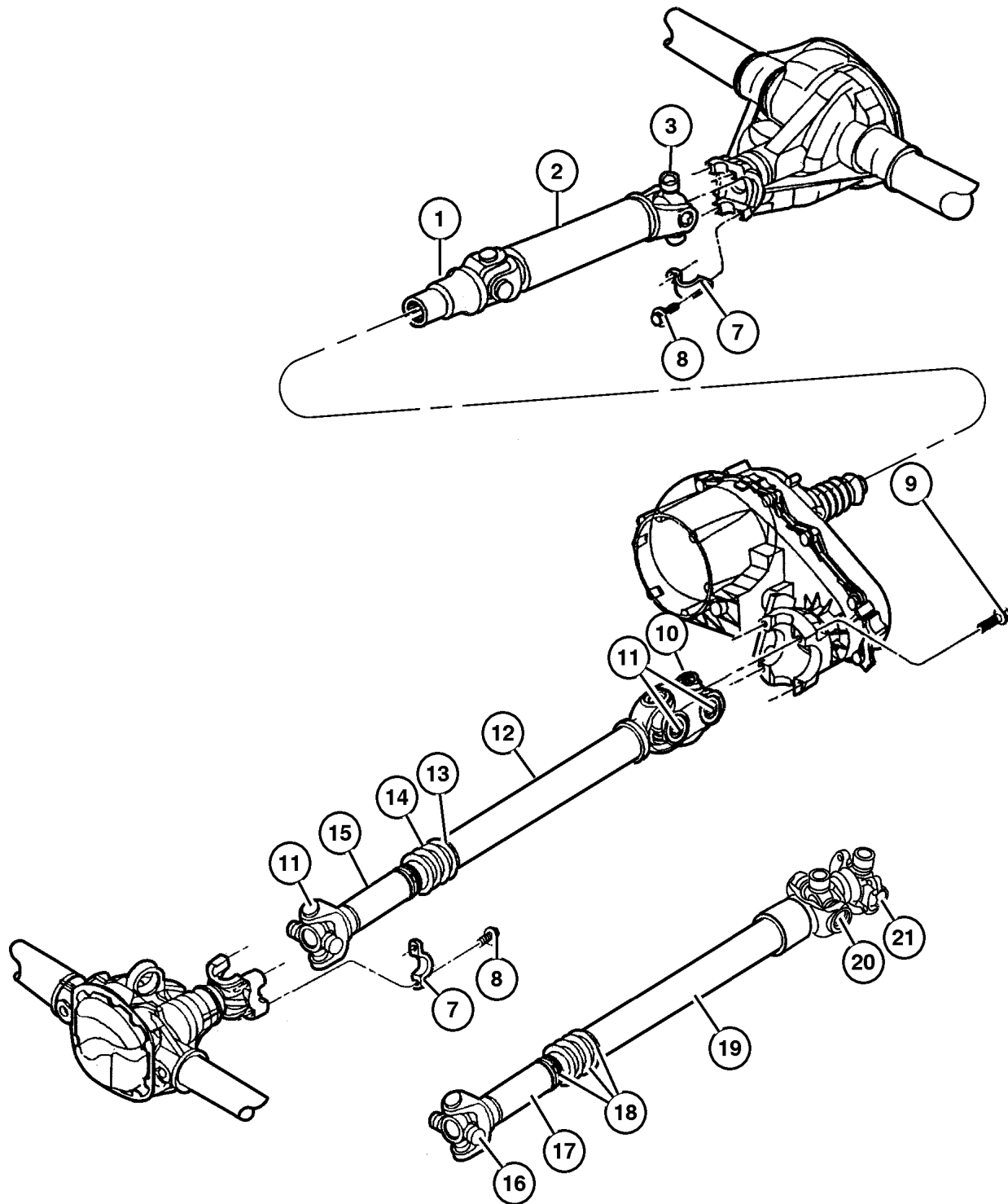
ENGINE  
ED1, ED0 = 2.4L DOHC  
ERH = 4.0L Power Tech

TRANSMISSION  
DGG, DGD = 32RH 3 Spd Auto  
DDD = 5 Speed HD Manual  
DG0 = Auto. Trans.  
DBB = Manual Trans.  
DDK = 5 Speed Manual



Propshaft, Front and Rear  
Figure 016-110

ITEM	PART NUMBER	QTY	LINE	SERIES	BODY	ENGINE	TRANS	TRIM	DESCRIPTION
9	6036 415AA	4							BOLT, Transfer Case Yoke to U-Joint, Mounting
10	J320 7886	1				ED0	DBB		RING, U Joint As Required
		1				ED0	DG0		As Required
		1				ER0			[DHN] As Required
11	5015 694AA	3				ED0	DBB		U JOINT
		3				ED0	DG0		
		3				ER0			[DHN]
12	#52853 402AA	1				ED0	DBB		SHAFT, Drive, Front
		1				ED0	DG0		
		1				ER0			[DHN]
13	#52098 377AE	1				ED0	DBB		CLAMP, Boot Large
		1				ED0	DBB		Small
		1				ED0	DG0		Large
		1				ED0	DG0		Small
		1				ER0			[DHN], Small
		1				ER0			[DHN], Large
14	5083 001AA	1				ED0	DBB		BOOT, Drive Shaft Without Clamps
		1				ED0	DG0		Without Clamps
		1				ER0			[DHN] Without Clamps
15	5016 375AA	1				ED0	DBB		YOKE, Drive Shaft
		1				ED0	DG0		
		1				ER0			[DHN]
16	#5093 820AA	1			ER0			U JOINT, [DHW], Front	
17	#5093 821AA	1			ER0			YOKE, Drive Shaft, [DHW]	
18	#5093 823AA	1			ER0			BOOT, Drive Shaft, [DHW] With Clamps	
19	#52853 404AA	1			ER0			SHAFT, Drive, Front, [DHW]	
20	#5093 377AA	1			ER0			U JOINT, [DHW], Middle	
21	#5093 820AA	1			ER0			U JOINT, [DHW], Rear	



JEEP WRANGLER (TJ)

SERIES  
H = Sport  
L = SE  
M = X  
P = Sahara  
S = Rubicon

LINE  
J = Wrangler 4WD  
U = Wrangler 4WD (RHD)

BODY  
77 = 93.4 WB

ENGINE  
ED1, ED0 = 2.4L DOHC  
ERH = 4.0L Power Tech

TRANSMISSION  
DGG, DGD = 32RH 3 Spd Auto  
DDD = 5 Speed HD Manual  
DG0 = Auto. Trans.  
DBB = Manual Trans.  
DDK = 5 Speed Manual

AR = Use as required - = Non illustrated part # = New this model year

September 29, 2003

# Group - 017

## Rear Suspension

### GROUP 17 - Rear Suspension

Illustration Title

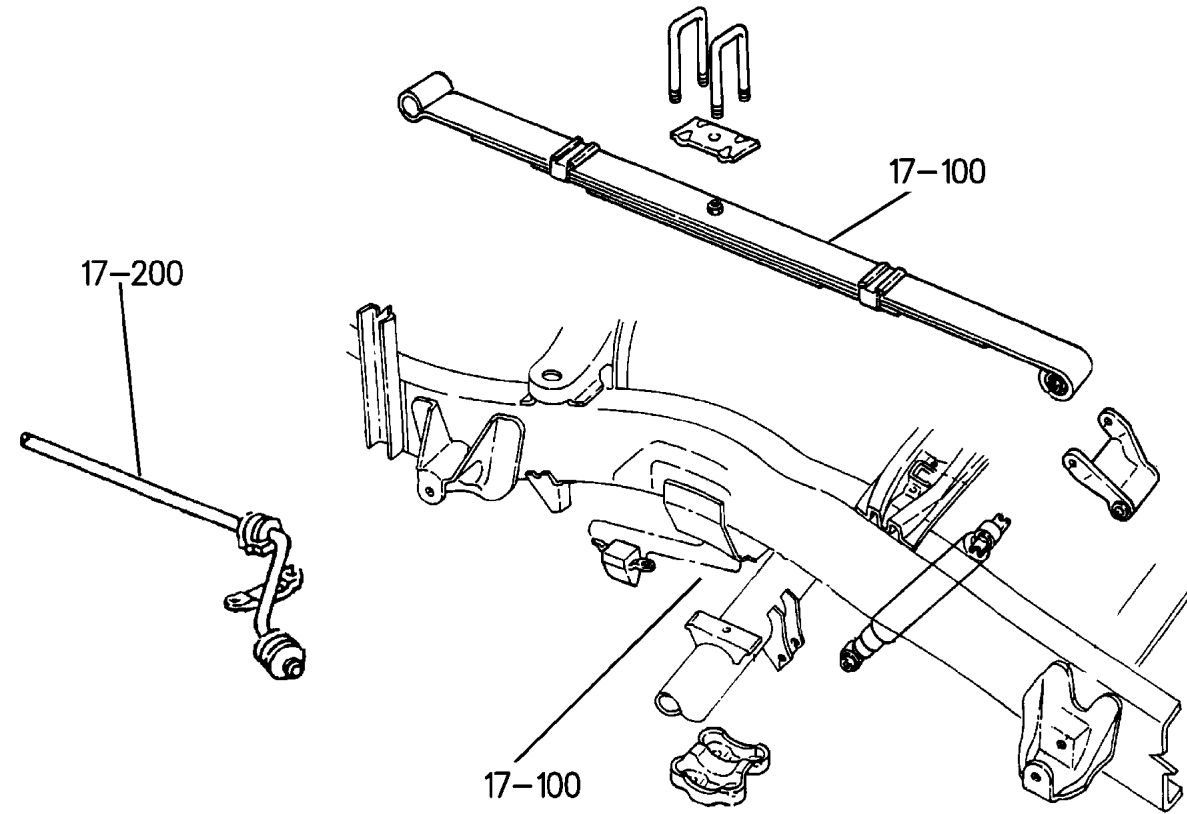
Group-Fig. No.

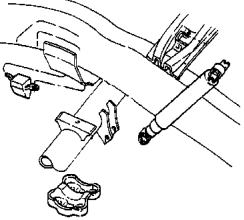
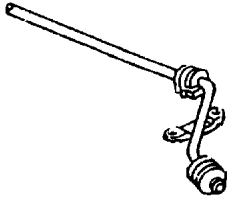
#### Rear Suspension

Suspension, Rear with Shocks, Springs and Track Bar ..... Fig. 017-110

#### Rear Stabilizer

Stabilizer, Rear ..... Fig. 017-210



<p><b>017-100</b> Rear Suspension</p> 	<p><b>017-200</b> Rear Stabilizer</p> 		
---	---	--	--

## Suspension, Rear with Shocks, Springs and Track Bar Figure 017-110

ITEM	PART NUMBER	QTY	LINE	SERIES	BODY	ENGINE	TRANS	TRIM	DESCRIPTION
------	-------------	-----	------	--------	------	--------	-------	------	-------------

Note: Sales Codes;

[SDA]=Suspension - Normal Duty

[SDU]=Shocks - High Pressure Gas Charged

[ZAU] Through [ZNW]=Spring Sales Codes will be found on Vehicle Identification Number [VIN] Sales Code Listing.

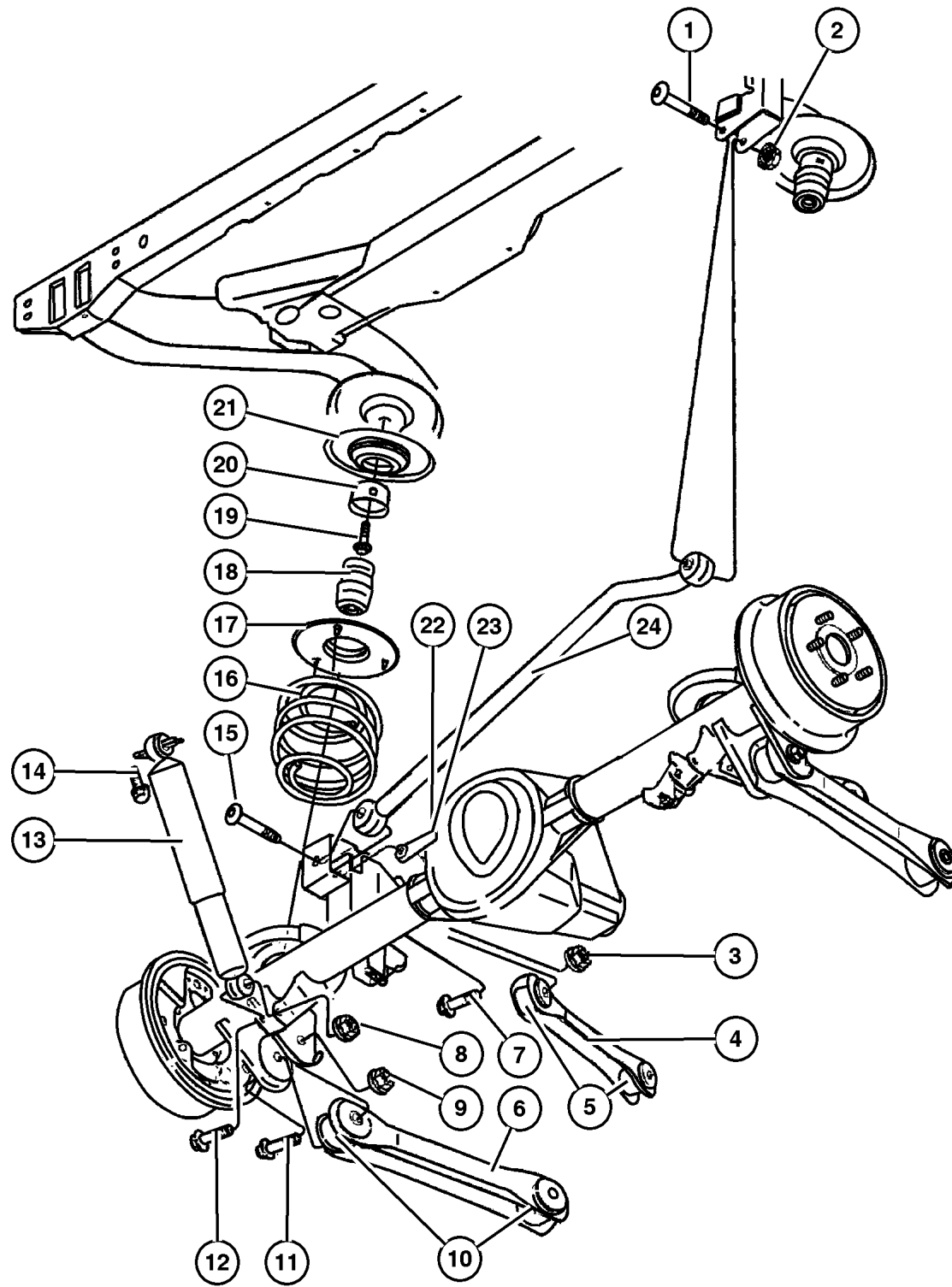
1	6506 147AA	1							SCREW, Hex Flange Head, M12x1.75x80, Track Bar to Frame, Mounting
2	6502 697	1							NUT, Hex Flange Lock, M12x1.75, Track Bar to Frame, Mounting
3	6502 696	2							NUT, Hex Flange Lock, M10x1.5, UCA to Axle, Mounting
4	5208 8520	2							ARM, Control, Upper, Right or Left
5	5208 7709	4							BUSHING, Control Arm, Upper
6	5208 8654	2							ARM, Control, Lower, Right or Left
7	6503 085	4							BOLT, Hex Flange Head, M10x1.50x78.20, UCA to Frame and Axle, Mounting
8	6502 697	2							NUT, Hex Flange Lock, M12x1.75, Shock Lower, Mounting
9	6502 698	4							NUT, Hex Flange Lock, LCA to Frame and Axle, Mounting
10	5208 8433	4							BUSHING, Control Arm, Lower
11	6506 033AA	4							BOLT, Hex Flange Head, M14x2.0x105, LCA to Frame and Axle, Mounting
12	6502 473	2							BOLT, Hex Flange Head, M12x1.75x65, Shock Lower, Mounting
13									SHOCK ABSORBER, Suspension, Rear
	52087 835AB	2							[SDA]
	52088 651AJ	2							[SDU]
14	3420 2467	4							SCREW, Hex Head, M8x1.25x30, Shock Upper, Mounting
15	6505 467AA	1							SCREW, Truss Head, M12x1.75x80, Track Bar to Axle, Mounting
16									SPRING, Rear Coil
	5208 9103	1							[ZAU,ZNU]
	5208 9104	1							[ZAV,ZNV]
	52090 105AA	1							[ZAW,ZNW]
	#52060 106AA	1							[ZAX,ZNX]
17	5208 7866	2							ISOLATOR, Spring, Lower
18	5208 7992	2							BUMPER, Jounce

### JEEP WRANGLER (TJ)

SERIES	LINE	BODY	ENGINE	TRANSMISSION
H = Sport	J = Wrangler 4WD	77 = 93.4 WB	ED1, ED0 = 2.4L DOHC	DGG, DGD = 32RH 3 Spd Auto
L = SE	U = Wrangler 4WD (RHD)		ERH = 4.0L Power Tech	DDD = 5 Speed HD Manual
M = X				DG0 = Auto. Trans.
P = Sahara				DBB = Manual Trans.
S = Rubicon				DDK = 5 Speed Manual

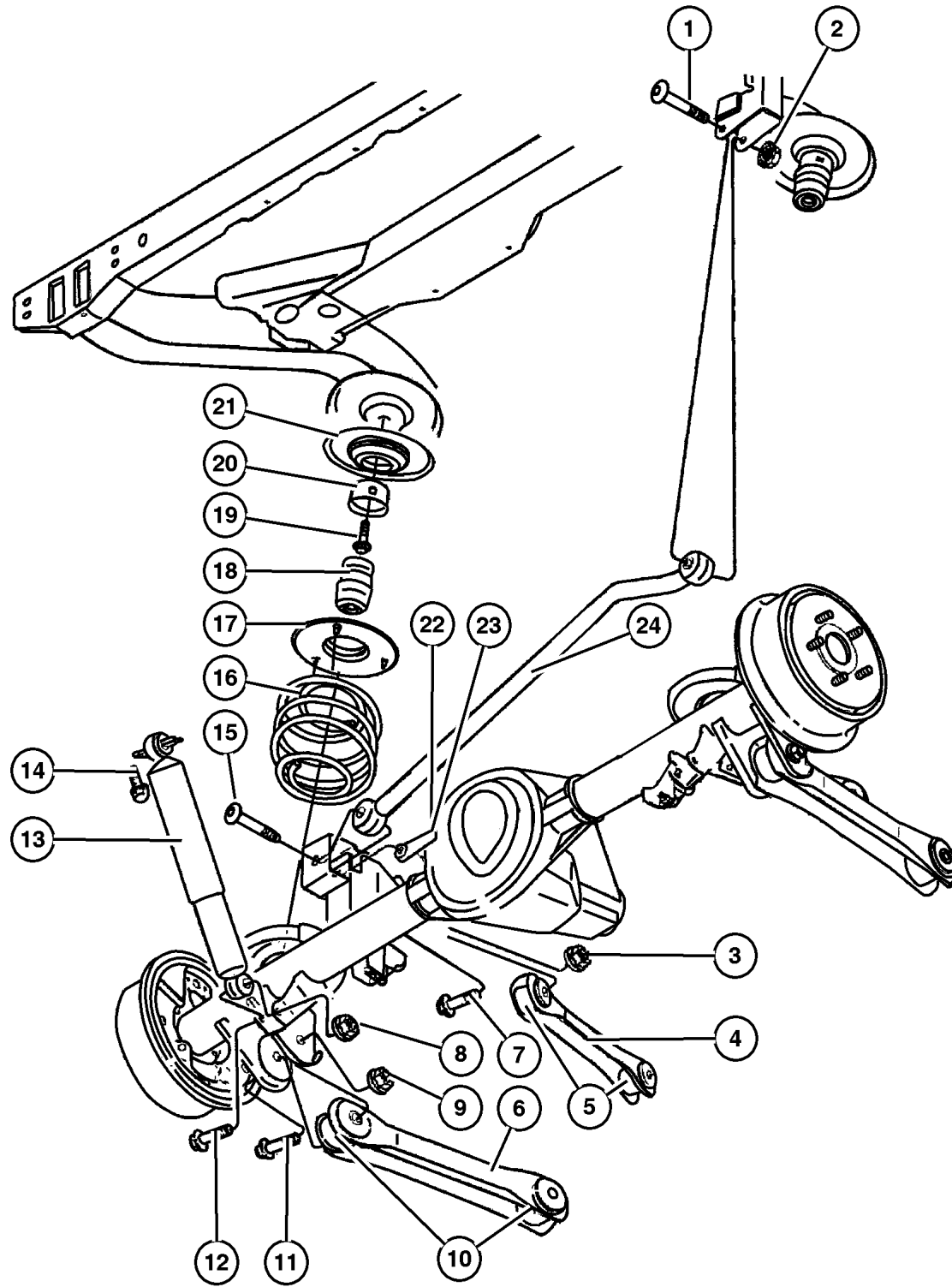
AR = Use as required - = Non illustrated part # = New this model year

September 29, 2003



## Suspension, Rear with Shocks, Springs and Track Bar Figure 017-110

ITEM	PART NUMBER	QTY	LINE	SERIES	BODY	ENGINE	TRANS	TRIM	DESCRIPTION
19	6100 402	2							BOLT, Hex Head, M10x35, Jounce Bumper Cup, Mounting
20	5208 7635	2							CUP, Jounce Bumper
21	5208 7832	2							ISOLATOR, Spring, Coil Spring Rear, Upper
22	6503 652	1	J						NUT AND RETAINER, Hex Flange Lock, m8x1.25, Track Bar to Axle, Mounting
23	6502 697	1	U						NUT, Hex Flange Lock, M12x1.75
24									BAR, Track
	5208 7878	1	J						
	5208 8175	1	U						
-25	6503 648	2							NUT AND RETAINER, Hex Flange Lock, m8x1.25, UCA to Frame, Mounting
-26	5209 8805	1	J						COVER, Track Bar Bracket
-27	6030 441	2	J						PIN, Retainer, Track Bar Cover, Mounting



**JEEP WRANGLER (TJ)**

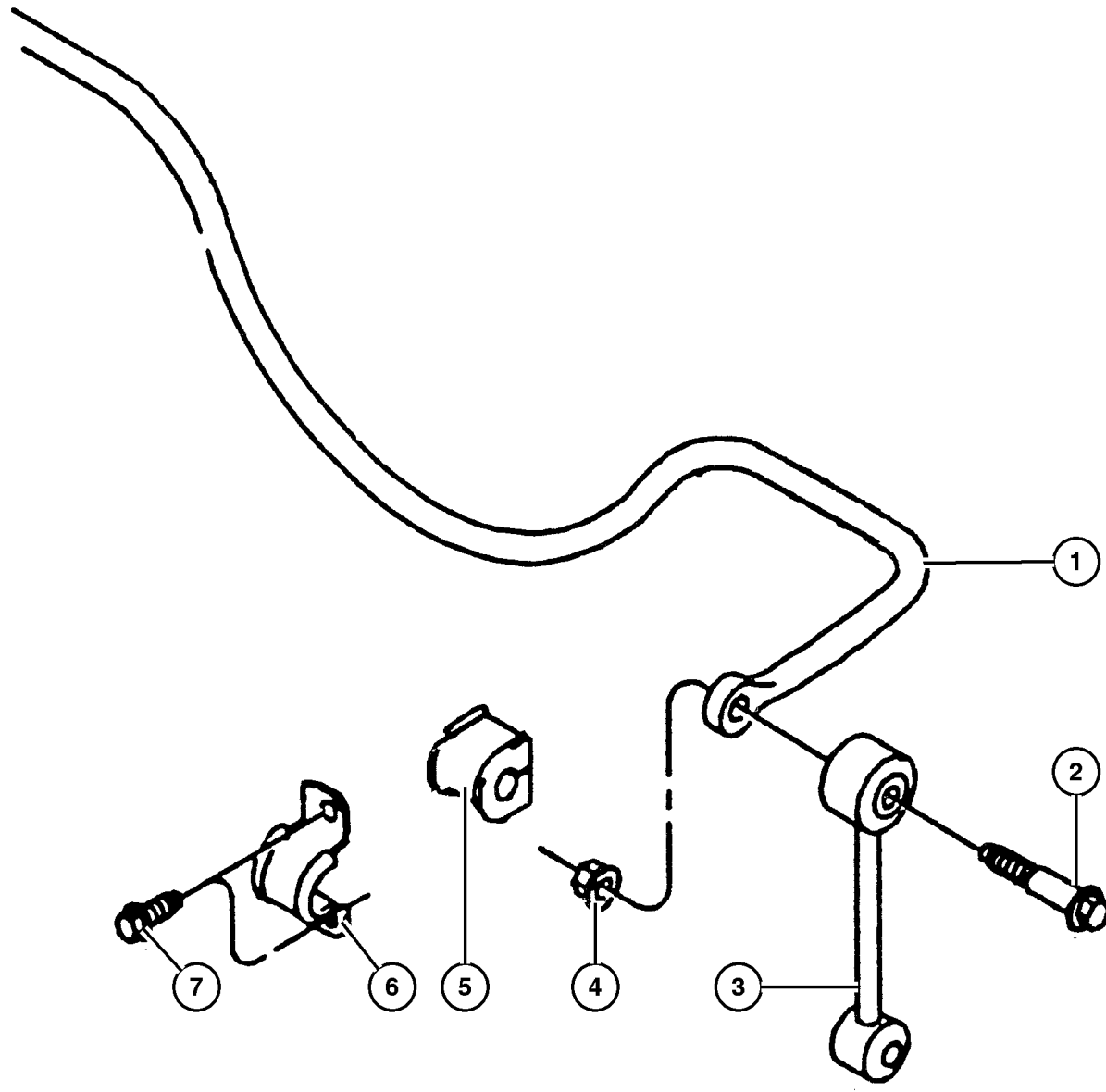
SERIES	LINE	BODY	ENGINE	TRANSMISSION
H = Sport	J = Wrangler 4WD	77 = 93.4 WB	ED1, ED0 = 2.4L DOHC	DGG, DGD = 32RH 3 Spd Auto
L = SE	U = Wrangler 4WD (RHD)		ERH = 4.0L Power Tech	DDD = 5 Speed HD Manual
M = X				DG0 = Auto. Trans.
P = Sahara				DBB = Manual Trans.
S = Rubicon				DDK = 5 Speed Manual

AR = Use as required - = Non illustrated part # = New this model year

September 29, 2003

**Stabilizer, Rear  
Figure 017-210**

ITEM	PART NUMBER	QTY	LINE	SERIES	BODY	ENGINE	TRANS	TRIM	DESCRIPTION
1	5208 8002	1							BAR, Rear Sway
2	6503 726	2							SCREW, Shoulder, Sway Bar to Link
3	52088 896AA	2							LINK, Sway Eliminator
4	6502 696	2							NUT, Hex Flange Lock, M10x1.5, Sway Bar to Link
5	5208 8125	2							BUSHING, Sway Bar
6	5208 7865	2							RETAINER, Sway Bar
7	6503 571	4							SCREW AND WASHER, M10x1.50x35
-8	6503 726	2							SCREW, Shoulder, Sway Bar Link to Frame
-9	6503 648	2							NUT AND RETAINER, Hex Flange Lock, m8x1.25, Sway Bar Link to Frame



**JEEP WRANGLER (TJ)**

SERIES	LINE	BODY	ENGINE	TRANSMISSION
H = Sport	J = Wrangler 4WD	77 = 93.4 WB	ED1, ED0 = 2.4L DOHC	DGG, DGD = 32RH 3 Spd Auto
L = SE	U = Wrangler 4WD (RHD)		ERH = 4.0L Power Tech	DDD = 5 Speed HD Manual
M = X				DG0 = Auto. Trans.
P = Sahara				DBB = Manual Trans.
S = Rubicon				DDK = 5 Speed Manual

AR = Use as required - = Non illustrated part # = New this model year

September 29, 2003

# Group – 019

## Steering

### GROUP 19 - Steering

Illustration Title

Group-Fig. No.

#### Steering Wheel

Wheel, Steering ..... Fig. 019-110

#### Steering Column

Column, Steering Upper and Lower ..... Fig. 019-210

#### Steering Gear

Gear, Power Steering ..... Fig. 019-310

#### Steering Linkage

Linkage and Damper ..... Fig. 019-410

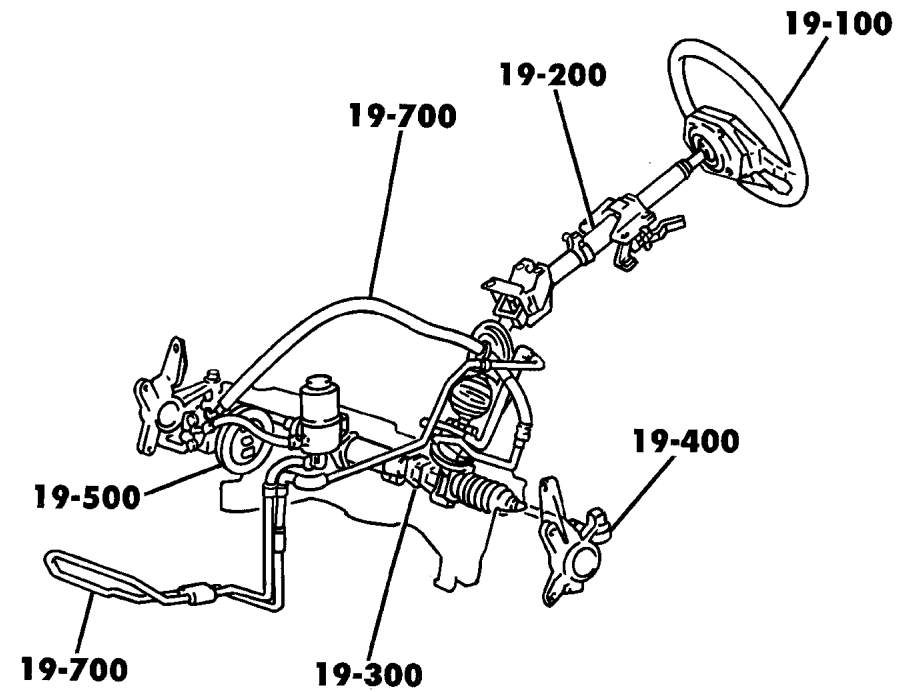
#### Power Steering Pump


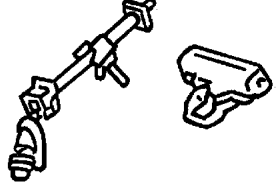
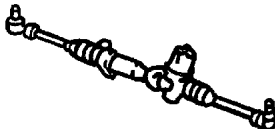
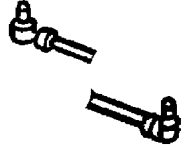
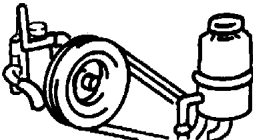

Pump, Power Steering ..... Fig. 019-510

#### Power Steering Hoses

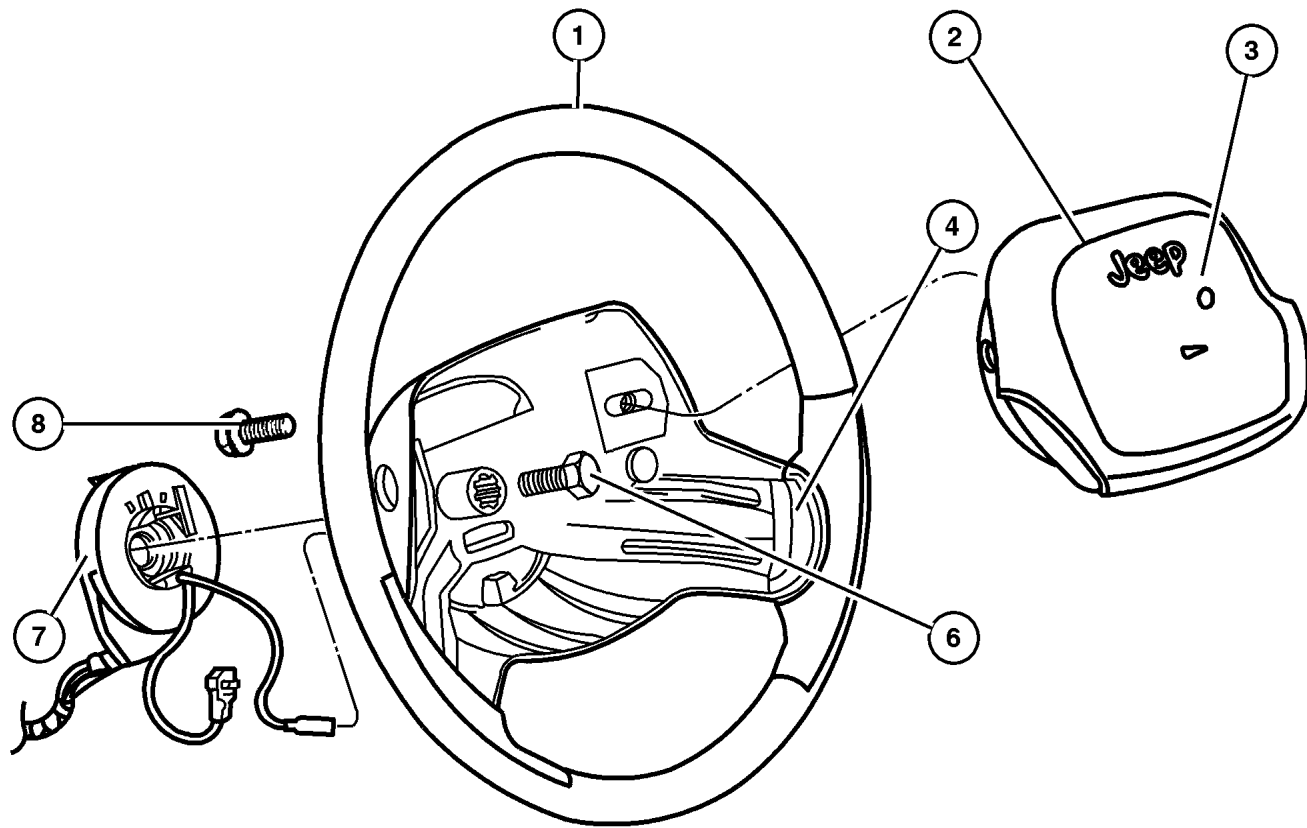
Hoses and Reservoir, 2.4L Engine [ED0] ..... Fig. 019-710

Hoses and Reservoir, 4.0L Engine [ER0] ..... Fig. 019-720



<p><b>019-100</b> Steering Wheel</p> 	<p><b>019-200</b> Steering Column</p> 	<p><b>019-300</b> Steering Gear</p> 	<p><b>019-400</b> Steering Linkage</p> 
<p><b>019-500</b> Power Steering Pump</p> 	<p><b>019-700</b> Power Steering Hoses</p> 		

## Wheel, Steering Figure 019-110



ITEM	PART NUMBER	QTY	LINE	SERIES	BODY	ENGINE	TRANS	TRIM	DESCRIPTION
Note: If Horn Switch is defective, you must replace the AIR BAG COVER WITH SWITCH and not the AIR BAG MODULE ASSEMBLY itself.									
Note: Sales Codes;									
[SCE]=Steering Wheel-2-Spoke Soft Feel									
[SCG]=Steering Wheel-Leather Wrapped									
[NHM]= Speed Control									
1									WHEEL, Steering
	#XP71 1X9AA	1							[SCL] + [NHM]
	#5JG60 DX9AA	1							[SCE]
		1							[SCA]
	#5JG61 1X9AA	1							[SCG] - [NHM]
		1							[SCL] - [NHM]
2	#5JG52 DX9AA	1							AIR BAG, Driver
3	#XZ03 DX9AA	1							COVER, Air Bag Module
4									SWITCH, Speed Control
	5GY38 DX9AA	1							Right
	5GY39 DX9AA	1							Left
-5									BEZEL, Steering Wheel
	5GK16 DX9AB	1							[SCE], Right
	5GK17 DX9AB	1							[SCE], Left
	#5JG22 DX9AA	1							[SCG] - [NHM], Right
		1							[SCA], Right
		1							[SCL] - [NHM], Right
	#5JG23 DX9AA	1							[SCG] - [NHM], Left
		1							[SCA], Left
		1							[SCL] - [NHM], Left
6	6505 656AA	1							SCREW, Hex Flange Head, M10x1.5x35.
7	#56047 144AA	1							CLOCKSPRING
8	6506 091AA	2							SCREW, M6x1x25
-9	5600 9437	1							WIRING, Steering Wheel, Service with Clockspring
-10	55314 966AB	1							LABEL, Airbag, [ABB]

### JEEP WRANGLER (TJ)

SERIES  
H = Sport  
L = SE  
M = X  
P = Sahara  
S = Rubicon

LINE  
J = Wrangler 4WD  
U = Wrangler 4WD (RHD)

BODY  
77 = 93.4 WB

ENGINE  
ED1, ED0 = 2.4L DOHC  
ERH = 4.0L Power Tech

TRANSMISSION  
DGG, DGD = 32RH 3 Spd Auto  
DDD = 5 Speed HD Manual  
DG0 = Auto. Trans.  
DBB = Manual Trans.  
DDK = 5 Speed Manual

AR = Use as required - = Non illustrated part # = New this model year

September 29, 2003

## Column, Steering Upper and Lower Figure 019-210

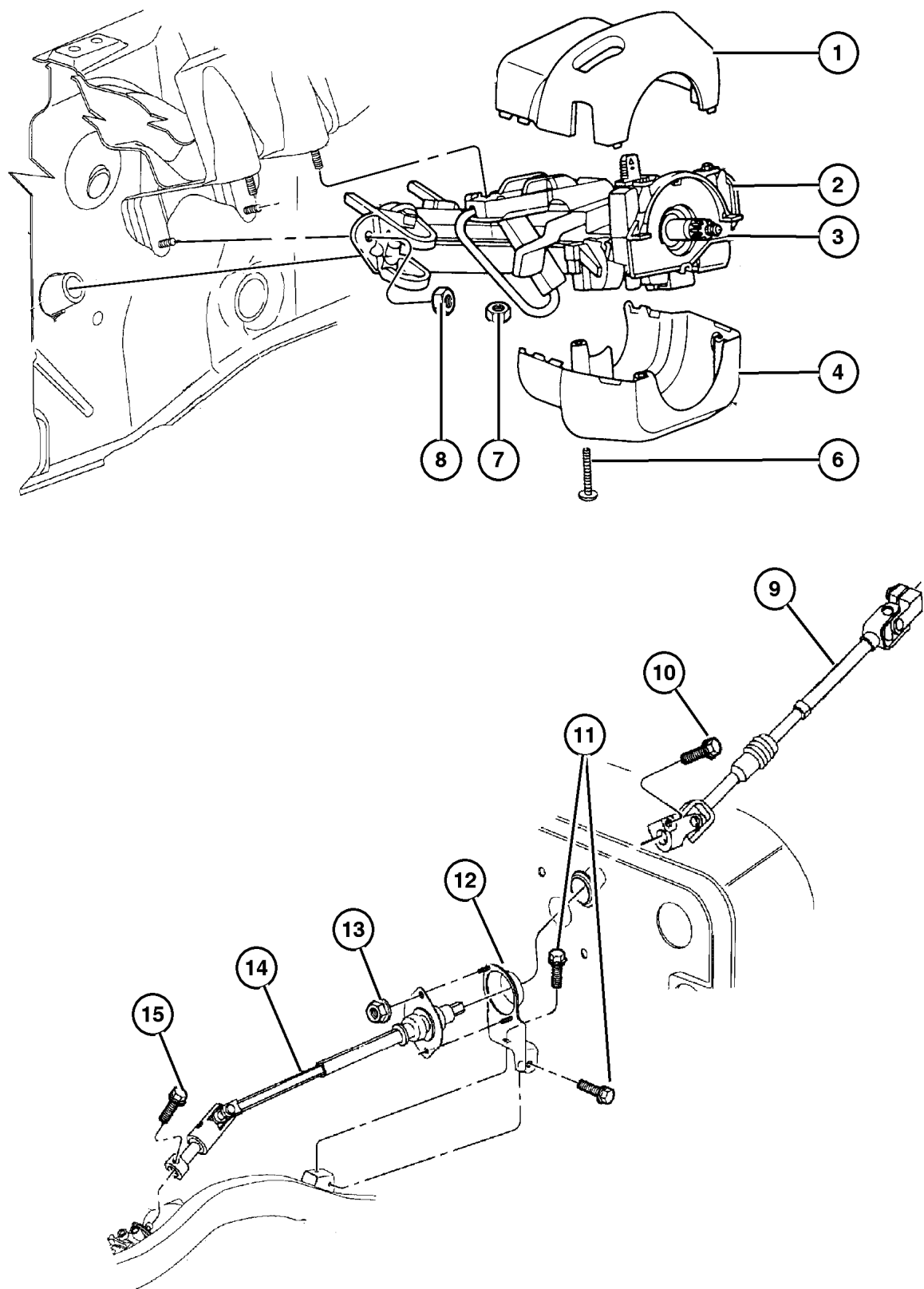
ITEM	PART NUMBER	QTY	LINE	SERIES	BODY	ENGINE	TRANS	TRIM	DESCRIPTION
Note: Sales Codes;									
[ABB] = European Equipment Group									
[DBB] = Transmissions - All Manual									
[DG0] = Transmissions - All Automatic									
[ED0] = Engines - All 2.4L 4 Cylinder Gas									
[ER0] = Engines - All 4.0L 6 Cylinder Gas									
1	5GN31 DX9AD	1							SHROUD, Steering Column, Upper
2	5057 080AA	1					DBB		COLUMN, Steering, Tilt Without [ABB]
	5057 079AA	1					DG0		Without [ABB]
	5057 082AA	1					DBB		With [ABB]
	5057 081AA	1					DG0		With [ABB]
3	5057 077AA	1					DBB		COLUMN, steering, non tilt Without [ABB]
	5057 078AA	1					DG0		
4	5GN30 DX9AB	1					DBB		SHROUD, Steering Column, Lower
	5GN36 DX9AB	1					DG0		
-5	55314 965AB	1					DG0		TRIM RING, Ignition Key Cylinder
6	6035 434	2							SCREW AND WASHER, Pan Head, Upper Shroud to Lower Shroud, Mounting
7	6501 279	4							NUT, Hex Flange Lock, M8x1.25, Mounting Stud, Upper
8	6505 245AA	2							NUT, M8x1.25, Mounting Stud, Lower
9	55315 014AD	1							SHAFT, Intermediate
10	6504 926AA	3							SCREW, Hex Flange Head, M10x1. 5x40, Upper Shaft to Lower shaft, Mounting
11	6504 153	2							SCREW AND WASHER, Hex Head, M10x1.5x35, Shaft Bracket to Frame
12	5205 8841	1		J			ER0		BRACKET, Intermediate Shaft
	5205 8854	1		U			ER0		
	5205 8855	1		J			ED0		
	52058 856AB	1		U			ED0		
13	6100 516	2							NUT, Hex Flange Lock, M6 Phosphate, Intermediate Shaft Bracket, Mounting
14	#55315 044AA	1							SHAFT, Intermediate

### JEEP WRANGLER (TJ)

SERIES	LINE	BODY	ENGINE	TRANSMISSION
H = Sport	J = Wrangler 4WD	77 = 93.4 WB	ED1, ED0 = 2.4L DOHC	DGG, DGD = 32RH 3 Spd Auto
L = SE	U = Wrangler 4WD (RHD)		ERH = 4.0L Power Tech	DDD = 5 Speed HD Manual
M = X				DG0 = Auto. Trans.
P = Sahara				DBB = Manual Trans.
S = Rubicon				DDK = 5 Speed Manual

AR = Use as required - = Non illustrated part # = New this model year

September 29, 2003

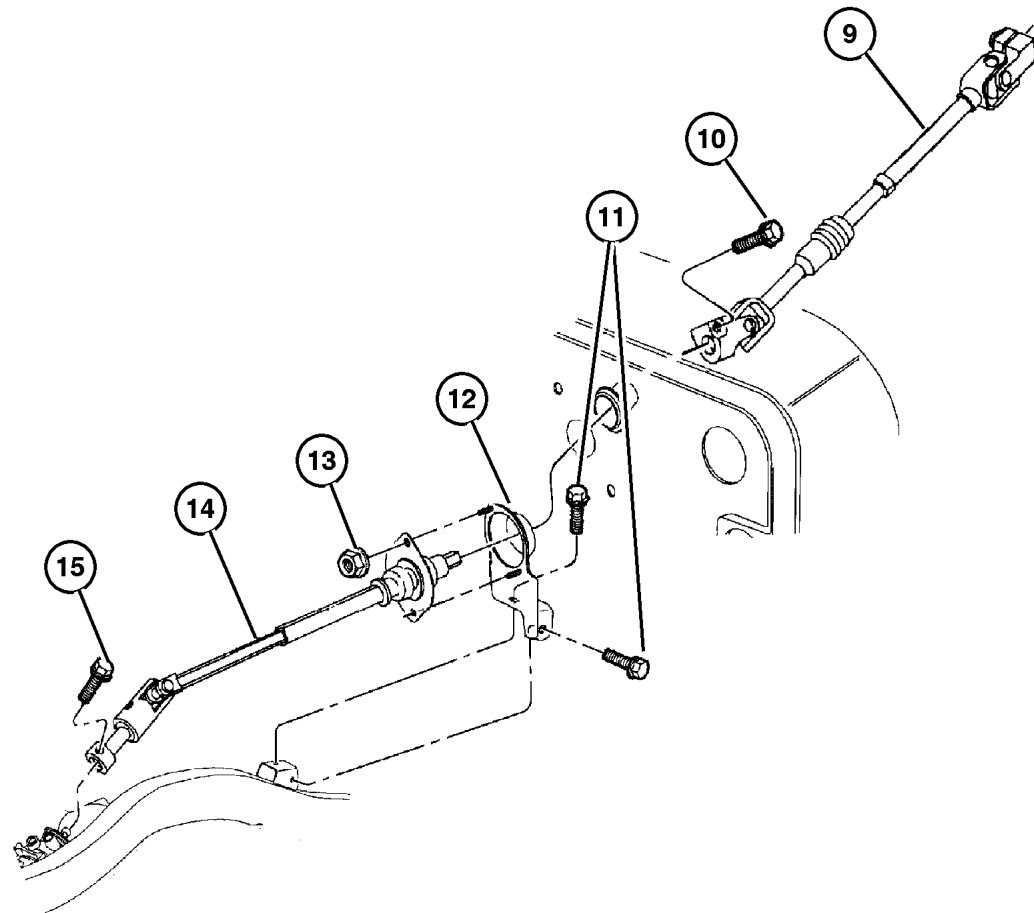
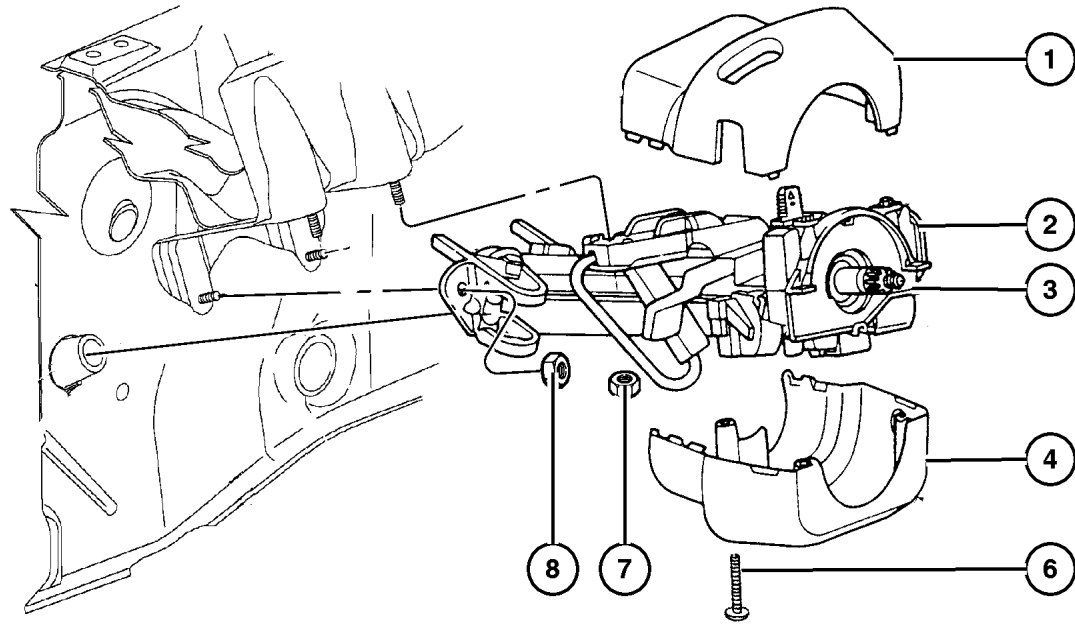




Column, Steering Upper and Lower  
Figure 019-210

ITEM	PART NUMBER	QTY	LINE	SERIES	BODY	ENGINE	TRANS	TRIM	DESCRIPTION
------	-------------	-----	------	--------	------	--------	-------	------	-------------

15	6504 926AA	3							SCREW, Hex Flange Head, M10x1.5x40, Lower Shaft to Steering Box, Mounting
----	------------	---	--	--	--	--	--	--	---



JEEP WRANGLER (TJ)

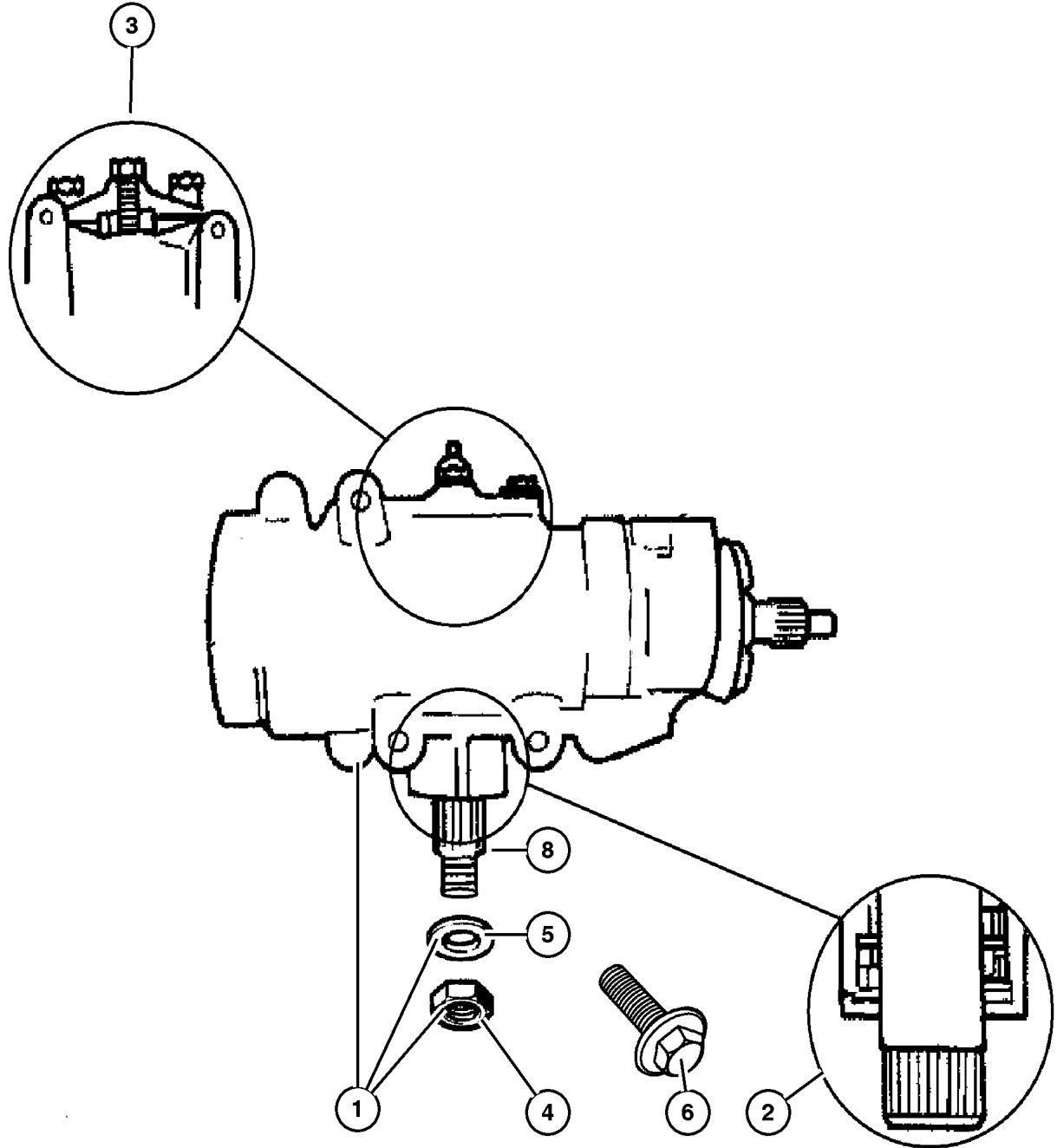
SERIES	LINE	BODY	ENGINE	TRANSMISSION
H = Sport	J = Wrangler 4WD	77 = 93.4 WB	ED1, ED0 = 2.4L DOHC	DGG, DGD = 32RH 3 Spd Auto
L = SE	U = Wrangler 4WD (RHD)		ERH = 4.0L Power Tech	DDD = 5 Speed HD Manual
M = X				DG0 = Auto. Trans.
P = Sahara				DBB = Manual Trans.
S = Rubicon				DDK = 5 Speed Manual

AR = Use as required - = Non illustrated part # = New this model year

September 29, 2003

**Gear, Power Steering  
Figure 019-310**

ITEM	PART NUMBER	QTY	LINE	SERIES	BODY	ENGINE	TRANS	TRIM	DESCRIPTION
1									GEAR, Power Steering
	#52088 993AC	1	J						
	#52088 994AC	1	U						
2									SEAL KIT, Steering gear pitman shaft
	#5083 823AA	1	J						
	#52059 405AB	1	U						
3									O RING KIT, Cover, Valve
	#5083 825AA	1	J						
		1	U						
4	J320 0501	1							NUT, Steering Gear Arm, Pitman Arm to Gear
5	S010 3336	1							WASHER, Lock, .875x1.469, Pitman Arm to Gear
6	#6036 502AA	3							SCREW AND WASHER, Steering Gear Mounting
-7									GASKET KIT, Top Cover
	#5093 838AA	1	J						
		1	U						
8									SHAFT KIT, Pitman Shaft Replacement
	5083 289AA	1	J						
	#5093 039AA	1	U						
-9									SEAL KIT, Input Shaft Seal
	#5083 824AA	1	J						
		1	U						



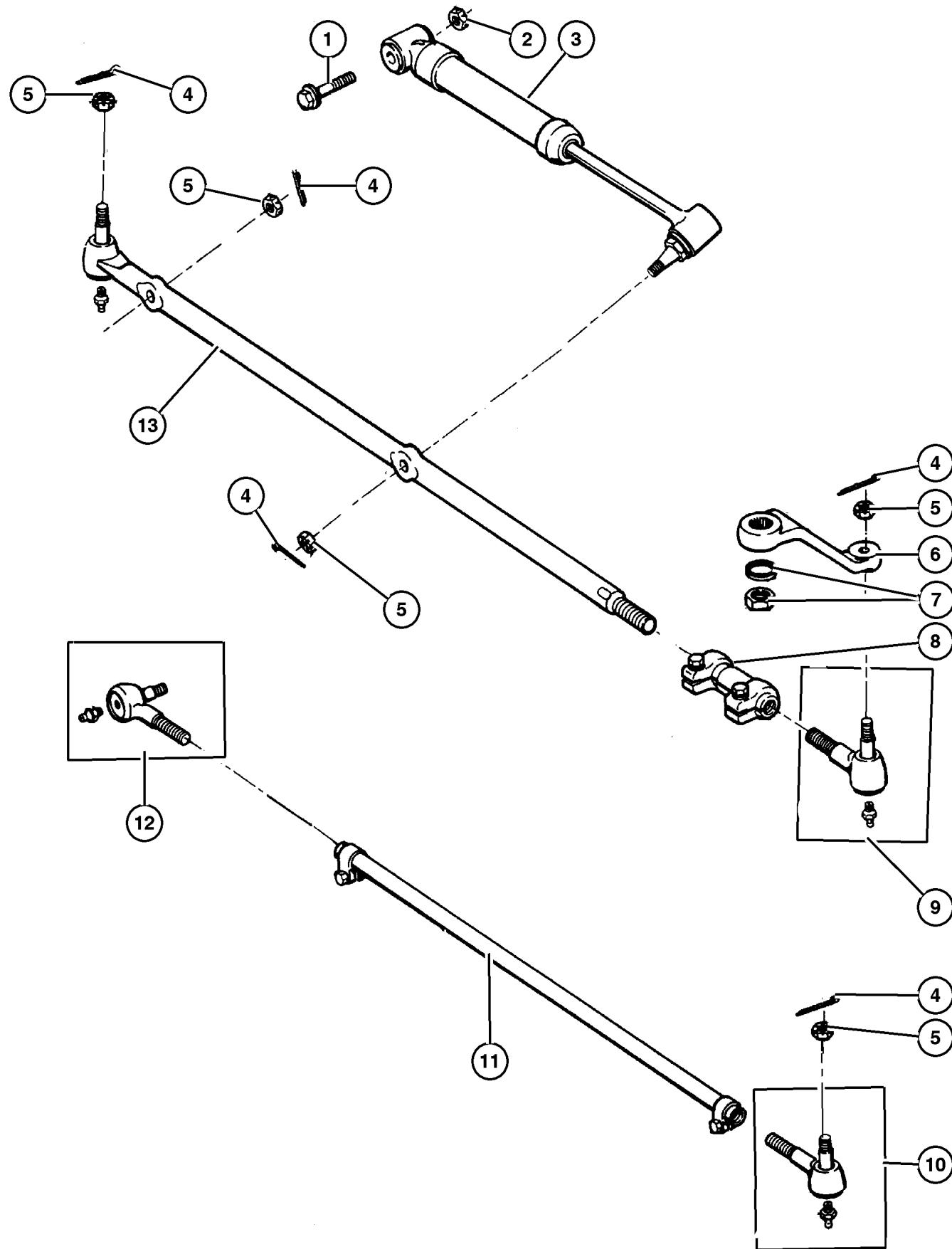
**JEEP WRANGLER (TJ)**

SERIES	LINE	BODY	ENGINE	TRANSMISSION
H = Sport	J = Wrangler 4WD	77 = 93.4 WB	ED1, ED0 = 2.4L DOHC	DGG, DGD = 32RH 3 Spd Auto
L = SE	U = Wrangler 4WD (RHD)		ERH = 4.0L Power Tech	DDD = 5 Speed HD Manual
M = X				DG0 = Auto. Trans.
P = Sahara				DBB = Manual Trans.
S = Rubicon				DDK = 5 Speed Manual

AR = Use as required - = Non illustrated part # = New this model year

September 29, 2003

## Linkage and Damper Figure 019-410



ITEM	PART NUMBER	QTY	LINE	SERIES	BODY	ENGINE	TRANS	TRIM	DESCRIPTION
1	6502 473	1							BOLT, Hex Flange Head, M12x1.75x65, Steering Damper to Axle Bracket, Mounting
2	6502 697	1							NUT, Hex Flange Lock, M12x1.75, Steering Damper to Axle Bracket, Mounting
3	52088 959AA	1	J						DAMPER, Steering Linkage
	52088 960AA	1	U						
4									PIN, Cotter, (NOT SERVICED) (Not Serviced)
5	6034 358	1							NUT, Hex, .50-20
		1							Tie Rod to Knuckle, Mounting
		1							Damper Stud to Drag Link, Mounting
		1							Drag Link to Pitman Arm, Mounting
		1							Tie Rod to Drag Link, Mounting
		1							Drag Link to Knuckle, Mounting
6	5203 8337	1	J						ARM, Pitman
	5203 8338	1	U						
7									NUT AND WASHER, Must Purchase Gear Box Assembly, (NOT SERVICED) (Not Serviced)
8									TUBE, Tie Rod
	52037 536AB	1	J						SOCKET Inner
	52005 742AB	1	U						
9	5200 5739	1	J						Inner SOCKET, Tie Rod, Outer
		1	U						
10	5200 5741	1	J						Outer SOCKET, Tie Rod, Inner
		1	U						
11	52005 743AB	1	J						TUBE, Tie Rod
		1	U						
12	5200 5740	1	J						SOCKET, Tie Rod, Inner
		1	U						
13	5208 7887	1	J						SOCKET, Drag Link Outer

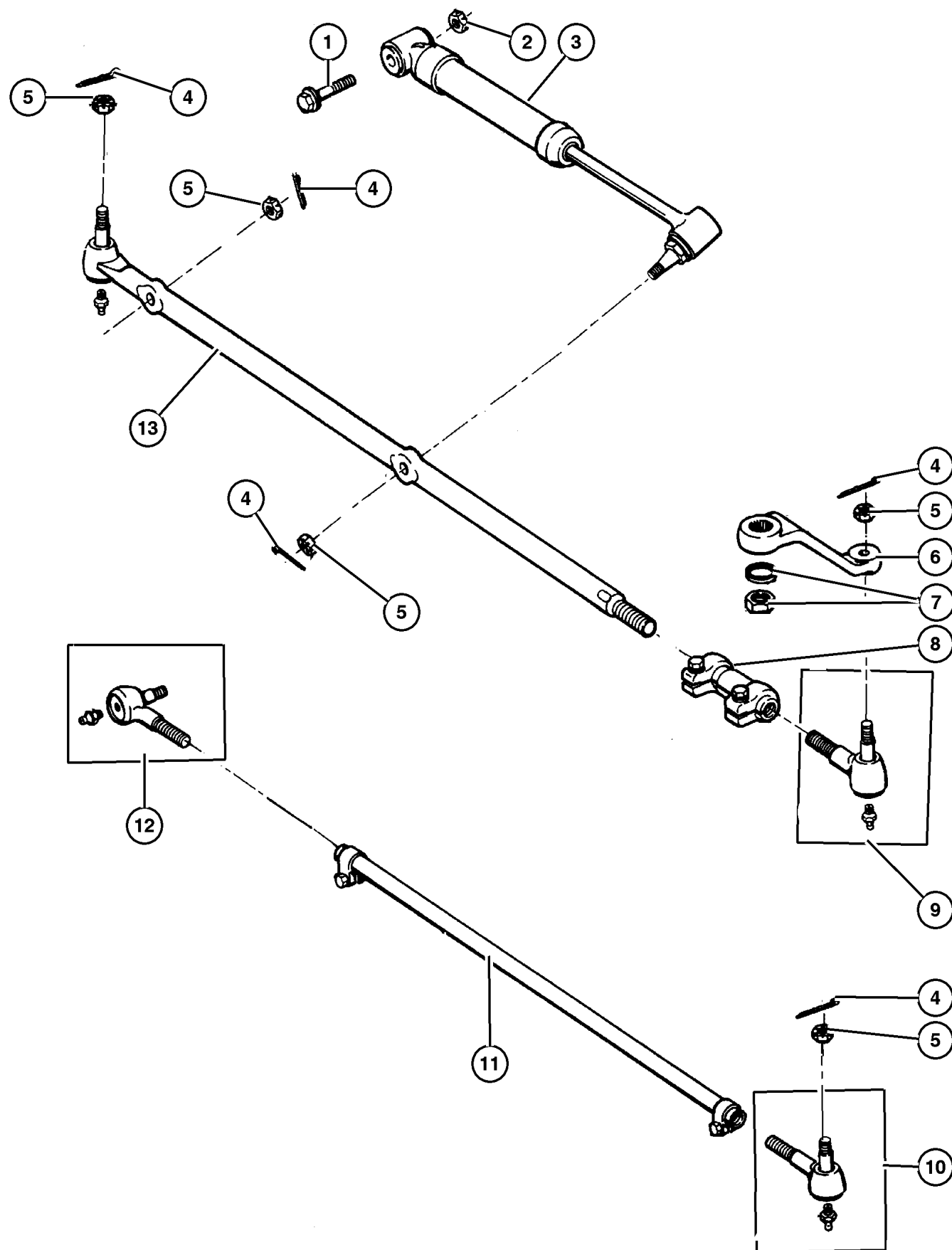
**JEEP WRANGLER (TJ)**

<b>SERIES</b>	<b>LINE</b>	<b>BODY</b>	<b>ENGINE</b>	<b>TRANSMISSION</b>
H = Sport	J = Wrangler 4WD	77 = 93.4 WB	ED1, ED0 = 2.4L DOHC	DGG, DGD = 32RH 3 Spd Auto
L = SE	U = Wrangler 4WD (RHD)		ERH = 4.0L Power Tech	DDD = 5 Speed HD Manual
M = X				DG0 = Auto. Trans.
P = Sahara				DBB = Manual Trans.
S = Rubicon				DDK = 5 Speed Manual

AR = Use as required - = Non illustrated part # = New this model year

September 29, 2003

# Linkage and Damper Figure 019-410



ITEM	PART NUMBER	QTY	LINE	SERIES	BODY	ENGINE	TRANS	TRIM	DESCRIPTION
------	-------------	-----	------	--------	------	--------	-------	------	-------------

	5200 6582	1	U						Outer
--	-----------	---	---	--	--	--	--	--	-------

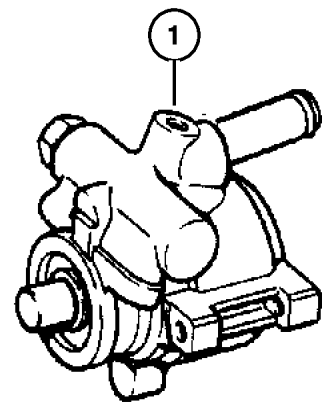
JEEP WRANGLER (TJ)			
SERIES	LINE	BODY	ENGINE
H = Sport	J = Wrangler 4WD	77 = 93.4 WB	ED1, ED0 = 2.4L DOHC
L = SE	U = Wrangler 4WD (RHD)		ERH = 4.0L Power Tech
M = X			
P = Sahara			
S = Rubicon			

TRANSMISSION
DGG, DGD = 32RH 3 Spd Auto
DDD = 5 Speed HD Manual
DG0 = Auto. Trans.
DBB = Manual Trans.
DDK = 5 Speed Manual

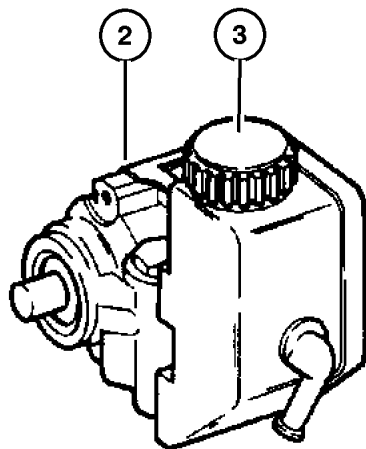
AR = Use as required - = Non illustrated part # = New this model year

September 29, 2003

**Pump, Power Steering  
Figure 019-510**



**W/2.4L**



**W/4.0L**

ITEM	PART NUMBER	QTY	LINE	SERIES	BODY	ENGINE	TRANS	TRIM	DESCRIPTION
Note:Sales Codes;									
[ED0]=Engines - All 2.4L 4 Cylinder Gas									
[ER0]=Engines - All 4.0L 6 Cylinder Gas									
1	#52089 018AC	1				ED0			PUMP, Power Steering
2									PUMP, Power Steering with Reservoir
	52087 871AD	1				ER0			
	#52089 018AC	1				ED0			
3	4897 287AA	1				ER0			CAP, Power Steering Reservoir
-4									CLIP, Power Steering Reservoir
	5203 7547	1				ER0			Mounting, Right
	5203 7546	1				ER0			Mounting, Left
-5	8350 3489	1				ER0			VALVE, Flow Control
-6	2537 833	1				ER0			SPRING, Power Steering Pump Flow
-7	4778 797AB	1				ER0			SEAL, Power Steering Pump
-8	5066 223AA	1				ER0			KIT, Pump Assembly Service
-9	5066 224AA	1				ER0			KIT, Reservoir Service

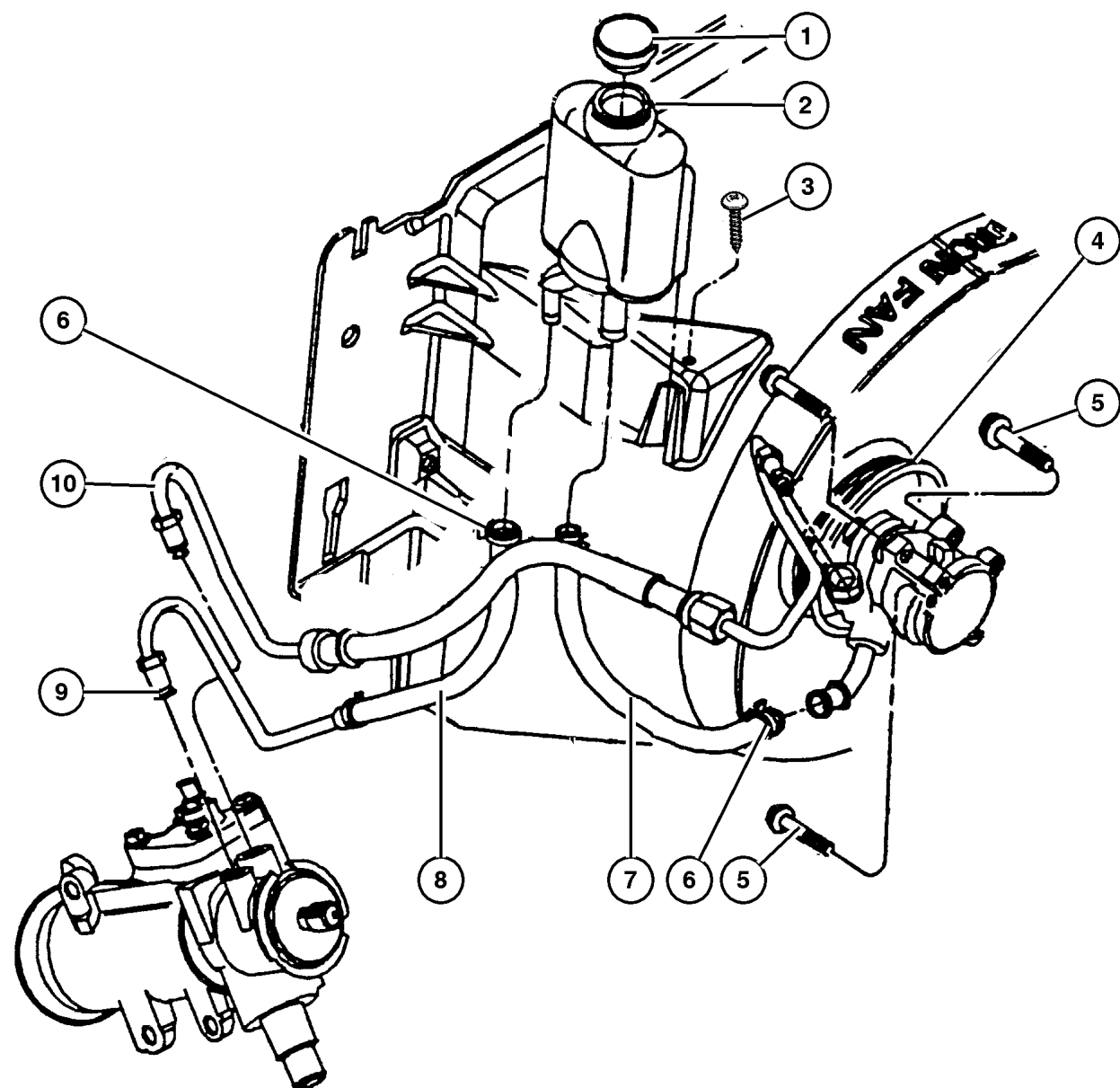
**JEEP WRANGLER (TJ)**

SERIES	LINE	BODY	ENGINE	TRANSMISSION
H = Sport	J = Wrangler 4WD	77 = 93.4 WB	ED1, ED0 = 2.4L DOHC	DGG, DGD = 32RH 3 Spd Auto
L = SE	U = Wrangler 4WD (RHD)		ERH = 4.0L Power Tech	DDD = 5 Speed HD Manual
M = X				DG0 = Auto. Trans.
P = Sahara				DBB = Manual Trans.
S = Rubicon				DDK = 5 Speed Manual

AR = Use as required - = Non illustrated part # = New this model year

September 29, 2003

## Hoses and Reservoir, 2.4L Engine [ED0] Figure 019-710



ITEM	PART NUMBER	QTY	LINE	SERIES	BODY	ENGINE	TRANS	TRIM	DESCRIPTION
Note: Sales Codes;									
[ED0]=Engines - All 2.4L 4 Cylinder Gas									
1	4694 766	1				ED0			CAP, Power Steering Pump
2	52087 713AB	1				ED0			RESERVOIR, Power Steering Pump
3	52088 924AA	1				ED0			RETAINER, Reservoir
4	53031 722AA	1				ED0			PULLEY, Power Steering Pump
5	6502 425	3				ED0			SCREW AND WASHER, Hex Head, M8x1.25x95
6	2448 761	2	J			ED0			CLAMP, Hose
7	#52089 017AC	1				ED0			HOSE, Power Steering Reservoir
8	#52089 014AC	1	J			ED0			HOSE, Power Steering Return
9	5205 254	2	J			ED0			O RING, Power Steering Hose, As Required
10	#52089 016AD	1	J			ED0			HOSE, Power Steering Pressure
-11	3420 1888	1	U						SCREW, Hex Head, Power Steering Hose Bracket to Frame, Mounting
-12	4486 273	1	U						BRACKET, Power Steering Hose, Pressure and Return Reservoir to Pump, Mounting
-13	56027 906AB	1	J			ED0			SWITCH, Power Steering High Pressure
	#56044 169AA	1	J			ED0			
-14	6035 358	1	U						CLIP, Oil Cooler Tube
-15	5200 2044	1	U						CLIP, Tube, Power Steering Line to Frame, Mounting

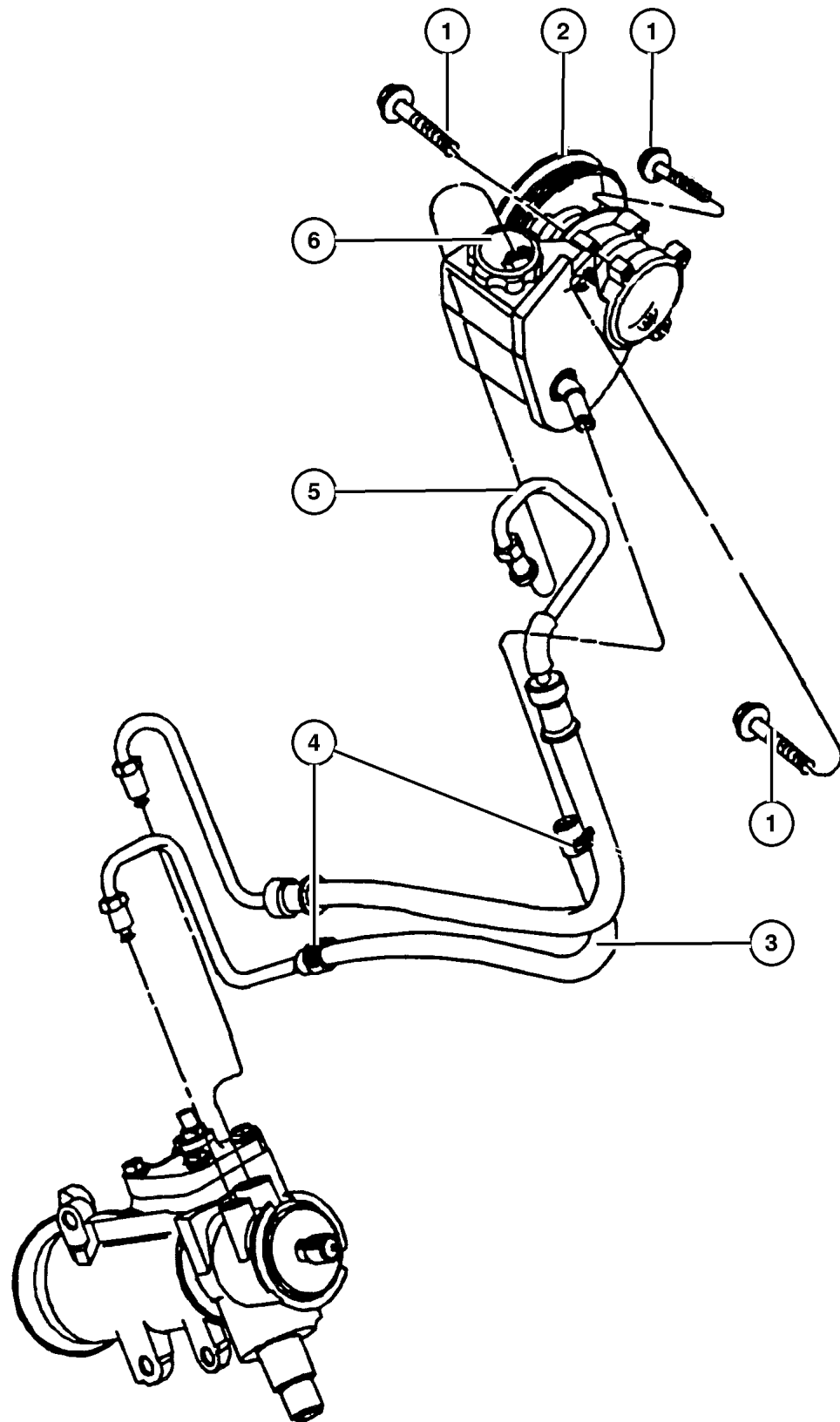
### JEEP WRANGLER (TJ)

SERIES	LINE	BODY	ENGINE	TRANSMISSION
H = Sport	J = Wrangler 4WD	77 = 93.4 WB	ED1, ED0 = 2.4L DOHC	DGG, DGD = 32RH 3 Spd Auto
L = SE	U = Wrangler 4WD (RHD)		ERH = 4.0L Power Tech	DDD = 5 Speed HD Manual
M = X				DG0 = Auto. Trans.
P = Sahara				DBB = Manual Trans.
S = Rubicon				DDK = 5 Speed Manual

AR = Use as required - = Non illustrated part # = New this model year

September 29, 2003

## Hoses and Reservoir, 4.0L Engine [ER0] Figure 019-720



ITEM	PART NUMBER	QTY	LINE	SERIES	BODY	ENGINE	TRANS	TRIM	DESCRIPTION
Note: Sales Codes;									
[ER0]=Engines - All 4.0L 6 Cylinder Gas									
1	6502 425	3				ER0			SCREW AND WASHER, Hex Head, M8x1.25x95
2	53010 258AB	1				ER0			PULLEY, Power Steering Pump
3									HOSE, Power Steering Return
	#52089 169AD	1	J			ER0			
	#52089 172AD	1	U			ER0			
4									CLAMP, Hose
	2448 770	1	J			ER0			
		1	U			ER0			
5									HOSE, Power Steering Pressure
	#52089 168AC	1	J			ER0			
	#52089 170AC	1	U			ER0			
6	4897 287AA	1				ER0			CAP, Power Steering Reservoir
-7	3420 1888	1	U						SCREW, Hex Head, Power Steering Hose Bracket to Frame, Mounting
-8	6035 358	1	U						CLIP, Oil Cooler Tube
-9	5200 2044	1	U						CLIP, Tube, Power Steering Line to Frame
-10	4486 273	1	U						BRACKET, Power Steering Hose, Pressure and Return Reservoir to Pump

### JEEP WRANGLER (TJ)

SERIES	LINE	BODY	ENGINE	TRANSMISSION
H = Sport	J = Wrangler 4WD	77 = 93.4 WB	ED1, ED0 = 2.4L DOHC	DGG, DGD = 32RH 3 Spd Auto
L = SE	U = Wrangler 4WD (RHD)		ERH = 4.0L Power Tech	DDD = 5 Speed HD Manual
M = X				DG0 = Auto. Trans.
P = Sahara				DBB = Manual Trans.
S = Rubicon				DDK = 5 Speed Manual

AR = Use as required - = Non illustrated part # = New this model year

September 29, 2003

# Group – 42RLE

## Automatic Transaxle 4 Speed

### GROUP 42RLE - Automatic Transaxle 4 Speed

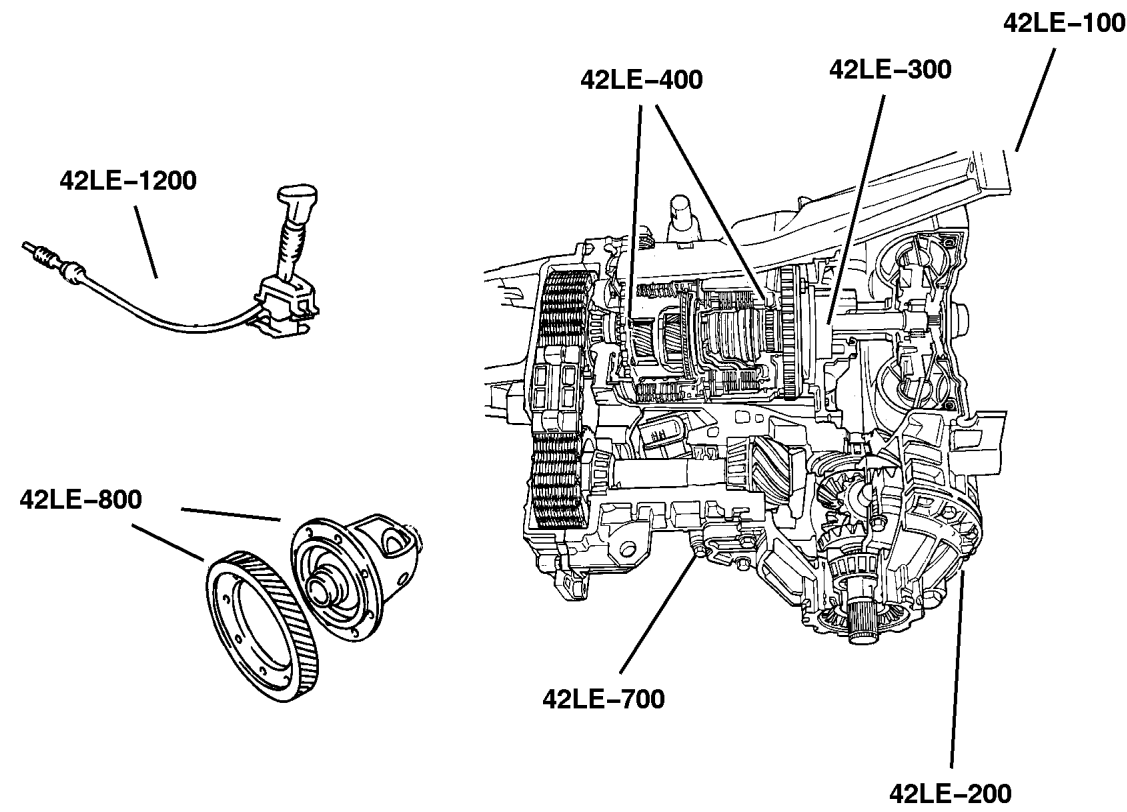


Illustration Title

Group-Fig. No.

#### Transaxle Assembly

Transaxle Assembly [DG6] .....	Fig. 42RLE-110
Mounting, Transmission [ED1 + DG6] .....	Fig. 42RLE-120
Mounting, Transmission [ERH + DG6] .....	Fig. 42RLE-130

#### Case and Extension

Transmission Case [DG6] .....	Fig. 42RLE-210
Adapter, Rear [DG6] .....	Fig. 42RLE-220

#### Oil Pump

Oil Pump & Reaction Shaft [DG6] .....	Fig. 42RLE-310
---------------------------------------	----------------

#### Gear Train


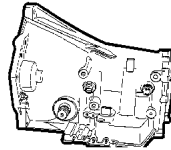

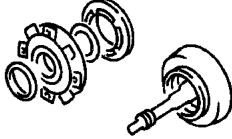


Clutch, Input Shaft [DG6] .....	Fig. 42RLE-410
Gear Train [DG6] .....	Fig. 42RLE-420

#### Valve Body

Valve Body [DG6] .....	Fig. 42RLE-710
Accumulator Piston & Springs [DG6] .....	Fig. 42RLE-720
Parking Sprag [DG6] .....	Fig. 42RLE-730

#### Gearshift Controls

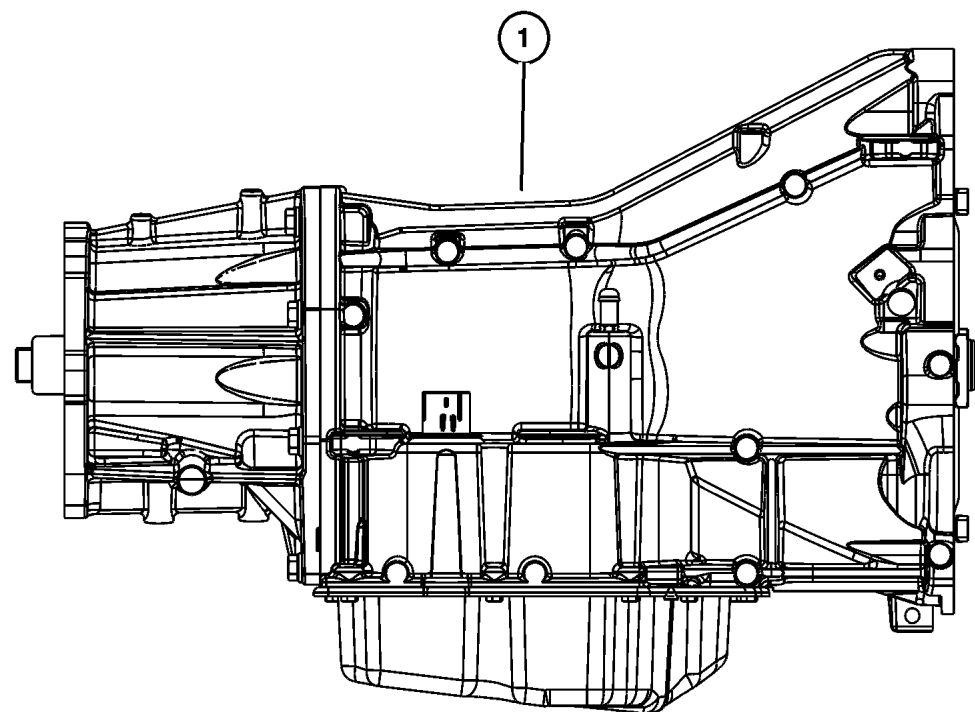
Gearshift Controls [DG6] .....	Fig. 42RLE-1210
--------------------------------	-----------------

<p><b>42RLE-100</b> Transaxle Assembly</p> 	<p><b>42RLE-200</b> Case and Extension</p> 	<p><b>42RLE-300</b> Oil Pump</p> 	<p><b>42RLE-400</b> Gear Train</p> 
<p><b>42RLE-700</b> Valve Body</p> 	<p><b>42RLE-1200</b> Gearshift Controls</p> 		



**Transaxle Assembly [DG6]  
Figure 42RLE-110**

ITEM	PART NUMBER	QTY	LINE	SERIES	BODY	ENGINE	TRANS	TRIM	DESCRIPTION
NOTE:									
Sales Codes:									
[DG6]=4 Speed Automatic Transmission - 42RLE									
[ED0]=All 2.4L 4 Cyl. Engines									
[ER0]=All 4.0L Inline 6 Engines									
1									TRANSMISSION PACKAGE
	#5101 752AA	1				ER0	DG6		
	#5101 753AA	1				ED0	DG6		
-2	#5093 944AA	1				ER0	DG6		CONVERTER PACKAGE, Torque
-3	#4736 235AA	1				ED0	DG6		TORQUE CONVERTER
-4									OVERHAUL PACKAGE, Transmission
	#5101 920AA	1				ER0	DG6		Up to 10/20/2002
		1				ED0	DG6		Up to 10/20/2002
	#5103 073AA	1				ER0	DG6		After 10/20/2002
		1				ED0	DG6		After 10/20/2002
-5	4202 151	AR					DG0		WEIGHT, Torque Converter Balance



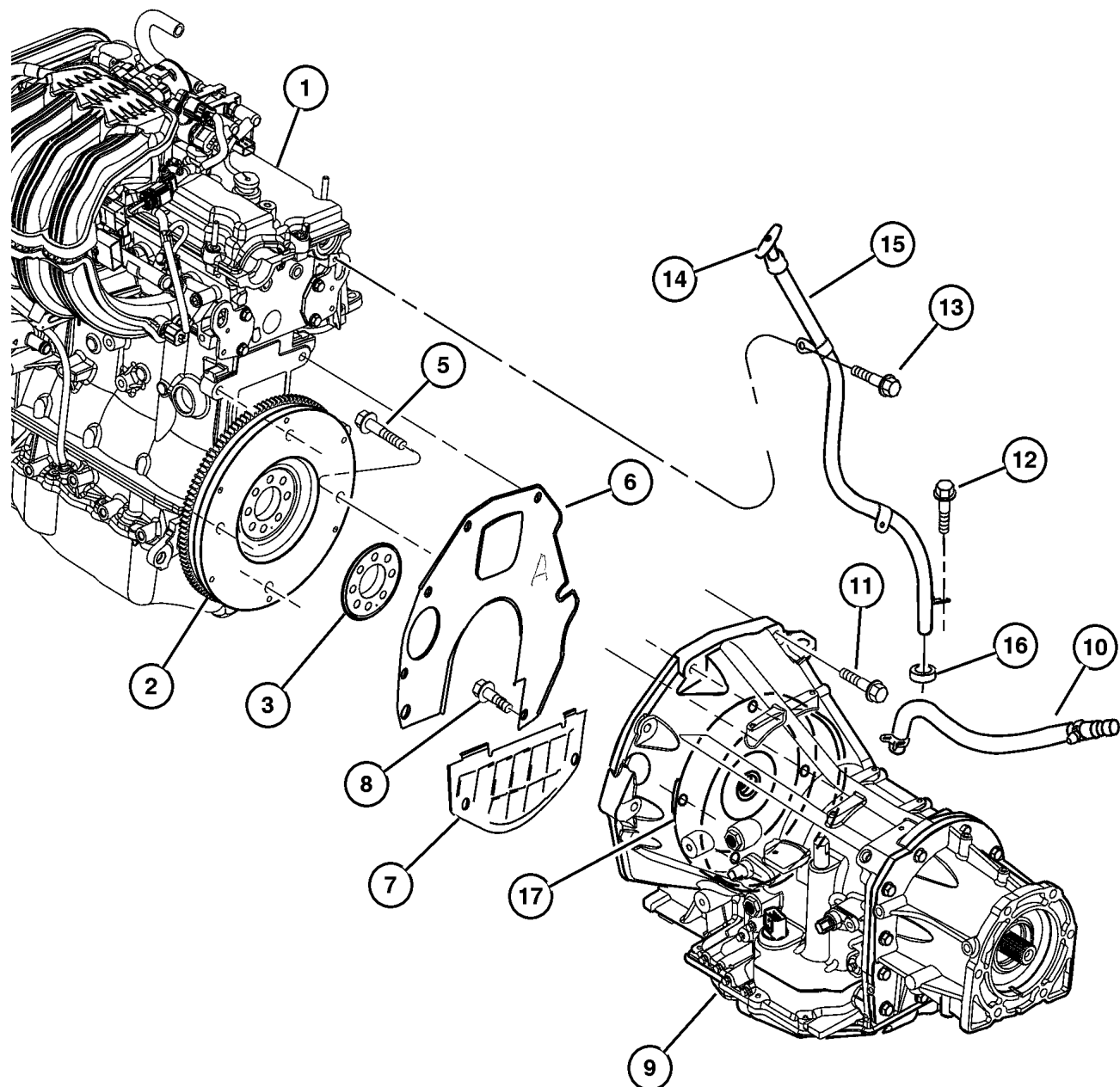
**JEEP WRANGLER (TJ)**

SERIES	LINE	BODY	ENGINE	TRANSMISSION
H = Sport	J = Wrangler 4WD	77 = 93.4 WB	ED1, ED0 = 2.4L DOHC	DGG, DGD = 32RH 3 Spd Auto
L = SE	U = Wrangler 4WD (RHD)		ERH = 4.0L Power Tech	DDD = 5 Speed HD Manual
M = X				DG0 = Auto. Trans.
P = Sahara				DBB = Manual Trans.
S = Rubicon				DDK = 5 Speed Manual

AR = Use as required - = Non illustrated part # = New this model year

September 29, 2003

**Mounting, Transmission [ED1 + DG6]  
Figure 42RLE-120**



ITEM	PART NUMBER	QTY	LINE	SERIES	BODY	ENGINE	TRANS	TRIM	DESCRIPTION
NOTE:									
Sales Codes:									
[DG6]=4 Speed Automatic Transmission - 42RLE									
[ED0]=All 2.4L 4 Cyl. Engines									
[ER0]=All 4.0L Inline 6 Engines									
1									ENGINE, Complete, See Engine Group, (NOT SERVICED) (Not Serviced)
2	#52104 335AA	1				ED0	DG0		PLATE, Torque Converter Drive
3	4471 933	1				ED0	DG0		PLATE, Drive Plate Backing
-4	6503 465	8				ED0	DG0		BOLT, Drive Plate and Flywheel
5	6504 383	4				ED0	DG0		BOLT, Hex Head, M10x1.50 x 13.20
6	#52104 333AA	1				ED0	DG6		SHIELD, Clutch
7	#53013 489AA	1				ED0	DG0		SHIELD, Lower Bell
8	6101 828	2				ED0	DG6		SCREW, Hex Flange Head
9	#5101 753AA	1				ED0	DG6		TRANSMISSION PACKAGE
10	#52104 365AB	1					DG6		TUBE, Vent
11	6501 742	4				ED0	DBB		SCREW, Hex Head, M12x1.75x50
12	6501 979	1							SCREW AND WASHER, Hex Head, M6x1x17
13	6101 506	1				ED0	DG6		BOLT AND CONED WASHER, M8x1.25x18
14	#53013 560AC	1				ED0	DG0		INDICATOR, Transmission Fluid Level
15	#52104 429AB	1				ED0	DG0		TUBE, Transmission Oil Filler
16	4810 021	1				ED0	DG6		GROMMET
17	#4736 235AA	1				ED0	DG6		TORQUE CONVERTER
-18	5222 629	1				ED0	DG6		SEAL, Torque Converter Hub
		1				ER0	DG6		

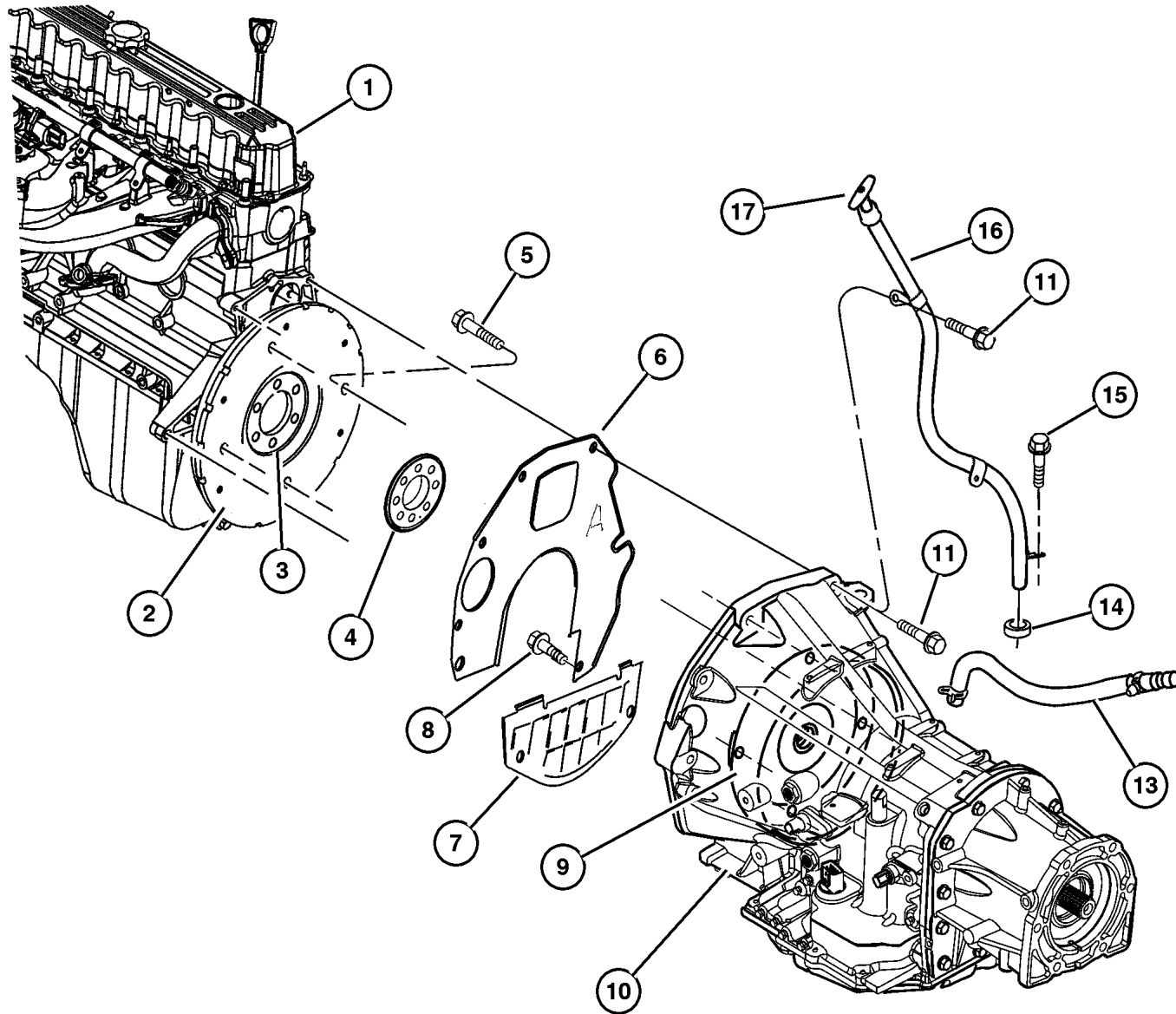
**JEEP WRANGLER (TJ)**

SERIES	LINE	BODY	ENGINE	TRANSMISSION
H = Sport	J = Wrangler 4WD	77 = 93.4 WB	ED1, ED0 = 2.4L DOHC	DGG, DGD = 32RH 3 Spd Auto
L = SE	U = Wrangler 4WD (RHD)		ERH = 4.0L Power Tech	DDD = 5 Speed HD Manual
M = X				DG0 = Auto. Trans.
P = Sahara				DBB = Manual Trans.
S = Rubicon				DDK = 5 Speed Manual

AR = Use as required - = Non illustrated part # = New this model year

September 29, 2003

**Mounting, Transmission [ERH + DG6]  
Figure 42RLE-130**



ITEM	PART NUMBER	QTY	LINE	SERIES	BODY	ENGINE	TRANS	TRIM	DESCRIPTION
NOTE:									
Sales Codes:									
[DG6]=4 Speed Automatic Transmission - 42RLE									
[ED0]=All 2.4L 4 Cyl. Engines									
[ER0]=All 4.0L Inline 6 Engines									
1									ENGINE, Complete, See Engine Group, (NOT SERVICED) (Not Serviced)
2	#4752 460AB	1				ER0	DG0		PLATE, Drive Plate
3	J315 1407	6				ER0	DG0		BOLT, Hex Head, .50-20x.56
4	J321 4094	1				ER0	DG0		PLATE, Drive Plate Backing
5	6504 383	4				ER0	DG0		BOLT, Hex Head, M10x1.50 x 13.20
6	#52104 426AA	1				ER0	DG6		SHIELD, Lower Bell
7	#52104 427AA	1				ER0	DG6		SPACER
8	6101 828	3				ER0	DG6		SCREW, Hex Flange Head
9	#5093 944AA	1				ER0	DG6		CONVERTER PACKAGE, Torque
10									TRANSMISSION, 4 Speed, See Illustration # 110, (NOT SERVICED) (Not Serviced)
11	J400 7389	2				ER0	DG6		BOLT, Torx
-12	J400 4370	2				ER0	DG6		BOLT AND WASHER, Hex Head, .437-14x2.75
13	#52104 365AB	1					DG6		TUBE, Vent
14	4810 021	1				ER0	DG6		GROMMET
15	6501 979	1							SCREW AND WASHER, Hex Head, M6x1x17
16	#52104 428AA	1				ER0	DG0		TUBE, Transmission Oil Filler
17	#52104 414AC	1				ER0	DG0		INDICATOR, Transmission Fluid Level

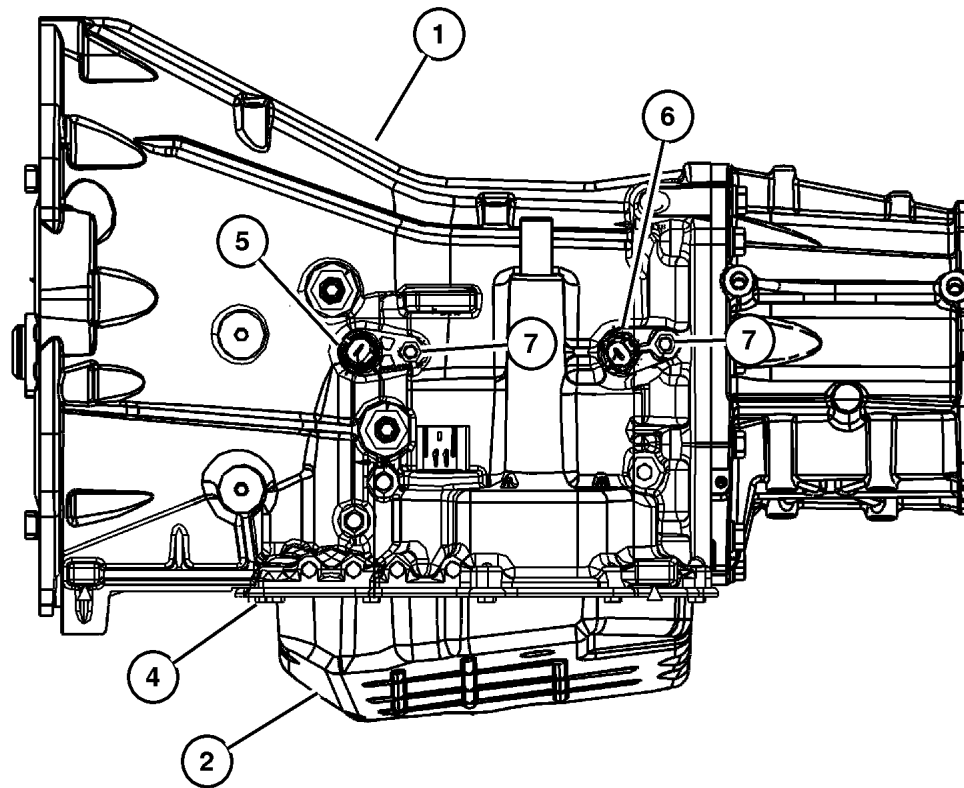
**JEEP WRANGLER (TJ)**

SERIES	LINE	BODY	ENGINE	TRANSMISSION
H = Sport	J = Wrangler 4WD	77 = 93.4 WB	ED1, ED0 = 2.4L DOHC	DGG, DGD = 32RH 3 Spd Auto
L = SE	U = Wrangler 4WD (RHD)		ERH = 4.0L Power Tech	DDD = 5 Speed HD Manual
M = X				DG0 = Auto. Trans.
P = Sahara				DBB = Manual Trans.
S = Rubicon				DDK = 5 Speed Manual

AR = Use as required - = Non illustrated part # = New this model year

September 29, 2003

Transmission Case [DG6]  
Figure 42RLE-210



ITEM	PART NUMBER	QTY	LINE	SERIES	BODY	ENGINE	TRANS	TRIM	DESCRIPTION
NOTE:									
Sales Codes:									
[DG6]=4 Speed Automatic Transmission - 42RLE									
[ED0]=All 2.4L 4 Cyl. Engines									
[ER0]=All 4.0L Inline 6 Engines									
1									CASE, Transmission
	#5101 876AA	1				ER0	DG6		Thru 1/28/03
	#5101 877AA	1				ED0	DG6		
	#5114 350AA	1				ER0	DG6		From 1/29/03
2									PAN, Transmission Oil
	#52852 912AA	1				ER0	DG6		Up to 1/27/2003
		1				ED0	DG6		Up to 1/27/2003
	#52852 912AB	1				ER0	DG6		After 1/27/2003
		1				ED0	DG6		After 1/27/2003
-3									MAGNET, Transmission
	3681 601	1				ER0	DG6		
		1				ED0	DG6		
4									BOLT, Hex Head, M8x1.25x16
	6501 474	15				ER0	DG6		
		15				ED0	DG6		
5									SENSOR, Transmission Input Speed
	#4799 061AB	1				ER0	DG6		
		1				ED0	DG6		
6									SENSOR, Transmission Output Speed
	#52854 001AA	1				ER0	DG6		
		1				ED0	DG6		
7									BOLT, M6x1.00x20
	6101 331	2				ER0	DG6		
		2				ED0	DG6		
-8									NUT, Transmission Case
	4799 433AB	2				ER0	DG6		Transmission to Oil Cooler Lines
		2				ED0	DG6		Transmission to Oil Cooler Lines

JEEP WRANGLER (TJ)

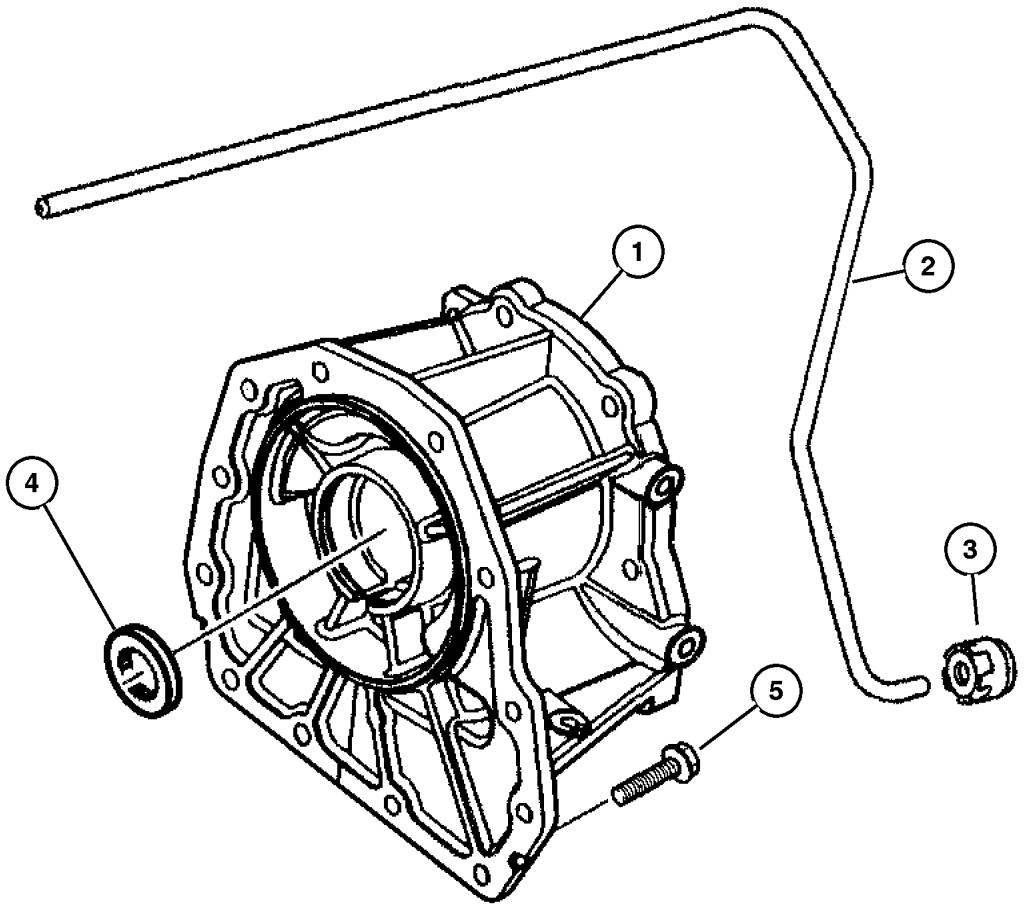
SERIES	LINE	BODY	ENGINE	TRANSMISSION
H = Sport	J = Wrangler 4WD	77 = 93.4 WB	ED1, ED0 = 2.4L DOHC	DGG, DGD = 32RH 3 Spd Auto
L = SE	U = Wrangler 4WD (RHD)		ERH = 4.0L Power Tech	DDD = 5 Speed HD Manual
M = X				DG0 = Auto. Trans.
P = Sahara				DBB = Manual Trans.
S = Rubicon				DDK = 5 Speed Manual

AR = Use as required - = Non illustrated part # = New this model year

September 29, 2003

Adapter, Rear [DG6]  
Figure 42RLE-220

ITEM	PART NUMBER	QTY	LINE	SERIES	BODY	ENGINE	TRANS	TRIM	DESCRIPTION
NOTE:									
Sales Codes:									
[DG6]=4 Speed Automatic Transmission - 42RLE									
[ED0]=All 2.4L 4 Cyl. Engines									
[ER0]=All 4.0L Inline 6 Engines									
1									ADAPTER, Transmission
	#52852 910AA	1				ER0	DG6		
		1				ED0	DG6		
2									TUBE
	#52854 177AA	1				ER0	DG6		Lube Tube
		1				ED0	DG6		Lube Tube
3									SEAL, Transmission
	#52852 998AA	1				ER0	DG6		Lube Tube Grommet Seal
		1				ED0	DG6		Lube Tube Grommet Seal
4									SEAL, Adapter
	4269 956AB	1				ER0	DG6		Output Shaft
		1				ED0	DG6		Output Shaft
5									SCREW AND WASHER, Hex Head, M10x1.5x37
	6504 774	11				ER0	DG6		
		11				ED0	DG6		



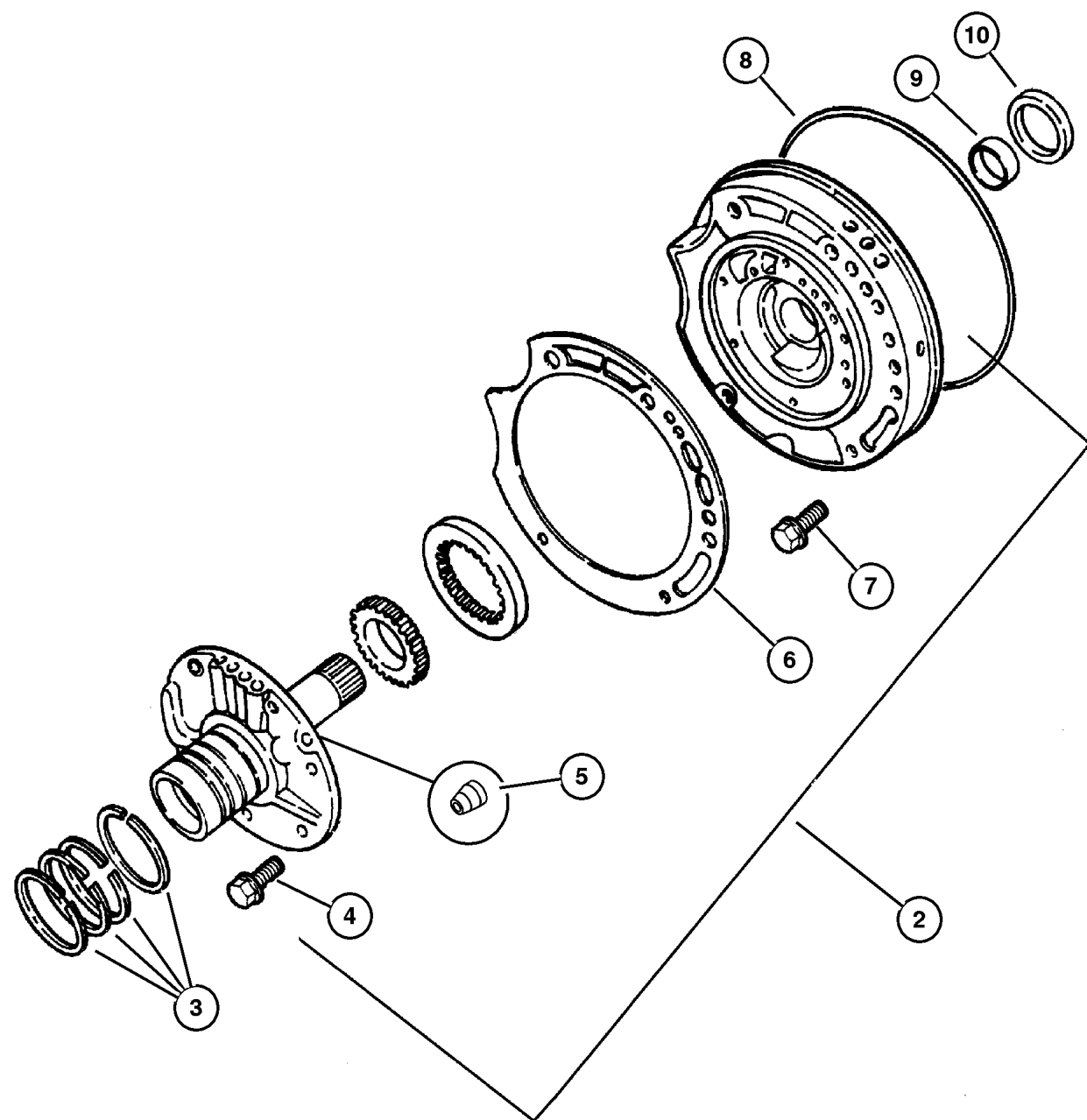
JEEP WRANGLER (TJ)

SERIES	LINE	BODY	ENGINE	TRANSMISSION
H = Sport	J = Wrangler 4WD	77 = 93.4 WB	ED1, ED0 = 2.4L DOHC	DGG, DGD = 32RH 3 Spd Auto
L = SE	U = Wrangler 4WD (RHD)		ERH = 4.0L Power Tech	DDD = 5 Speed HD Manual
M = X				DG0 = Auto. Trans.
P = Sahara				DBB = Manual Trans.
S = Rubicon				DDK = 5 Speed Manual

AR = Use as required - = Non illustrated part # = New this model year

September 29, 2003

## Oil Pump & Reaction Shaft [DG6] Figure 42RLE-310



ITEM	PART NUMBER	QTY	LINE	SERIES	BODY	ENGINE	TRANS	TRIM	DESCRIPTION
NOTE:									
Sales Codes:									
[DG6]=4 Speed Automatic Transmission - 42RLE									
[ED0]=All 2.4L 4 Cyl. Engines									
[ER0]=All 4.0L Inline 6 Engines									
-1									SEAL AND GASKET PACKAGE, Transmission Oil Pump
	4883 260	1				ER0	DG6		
		1				ED0	DG6		
2	#5101 872AA	1				ER0	DG6		PUMP, Transmission Oil
		1				ED0	DG6		
3									SEAL, Ring Reaction Support, 2 1/16 O.D.
	4471 874	4				ER0	DG6		
		4				ED0	DG6		
4									BOLT, Hex Head, M8x1.25x19
	6500 211	6				ER0	DG6		
		6				ED0	DG6		
5									BALL, Check Reaction Shaft
	0147 482	2				ER0	DG6		
		2				ED0	DG6		Reaction Shaft
	4446 616	2				ER0	DG6		Reaction Shaft Support
		2				ED0	DG6		Reaction Shaft Support
6									GASKET, Transmission Oil Pump
	4659 126	1				ER0	DG6		Up to 5/16/2002
		1				ED0	DG6		Up to 5/16/2002
	4412 844	1				ER0	DG6		After 5/16/2002
		1				ED0	DG6		After 5/16/2002
7									SCREW AND WASHER, Hex Flange Head, M8x1.25x25
	6506 408AA	5				ER0	DG6		
		5				ED0	DG6		
8									SEAL, Oil Pump
	4659 945	1				ER0	DG6		
		1				ED0	DG6		
9									BUSHING, Front Pump
	4659 515	1				ER0	DG6		
		1				ED0	DG6		
10									SEAL, Impeller Hub, 57.25mm OD
	4412 475	1				ER0	DG6		

### JEEP WRANGLER (TJ)

SERIES	LINE	BODY	ENGINE	TRANSMISSION
H = Sport	J = Wrangler 4WD	77 = 93.4 WB	ED1, ED0 = 2.4L DOHC	DGG, DGD = 32RH 3 Spd Auto
L = SE	U = Wrangler 4WD (RHD)		ERH = 4.0L Power Tech	DDD = 5 Speed HD Manual
M = X				DG0 = Auto. Trans.
P = Sahara				DBB = Manual Trans.
S = Rubicon				DDK = 5 Speed Manual

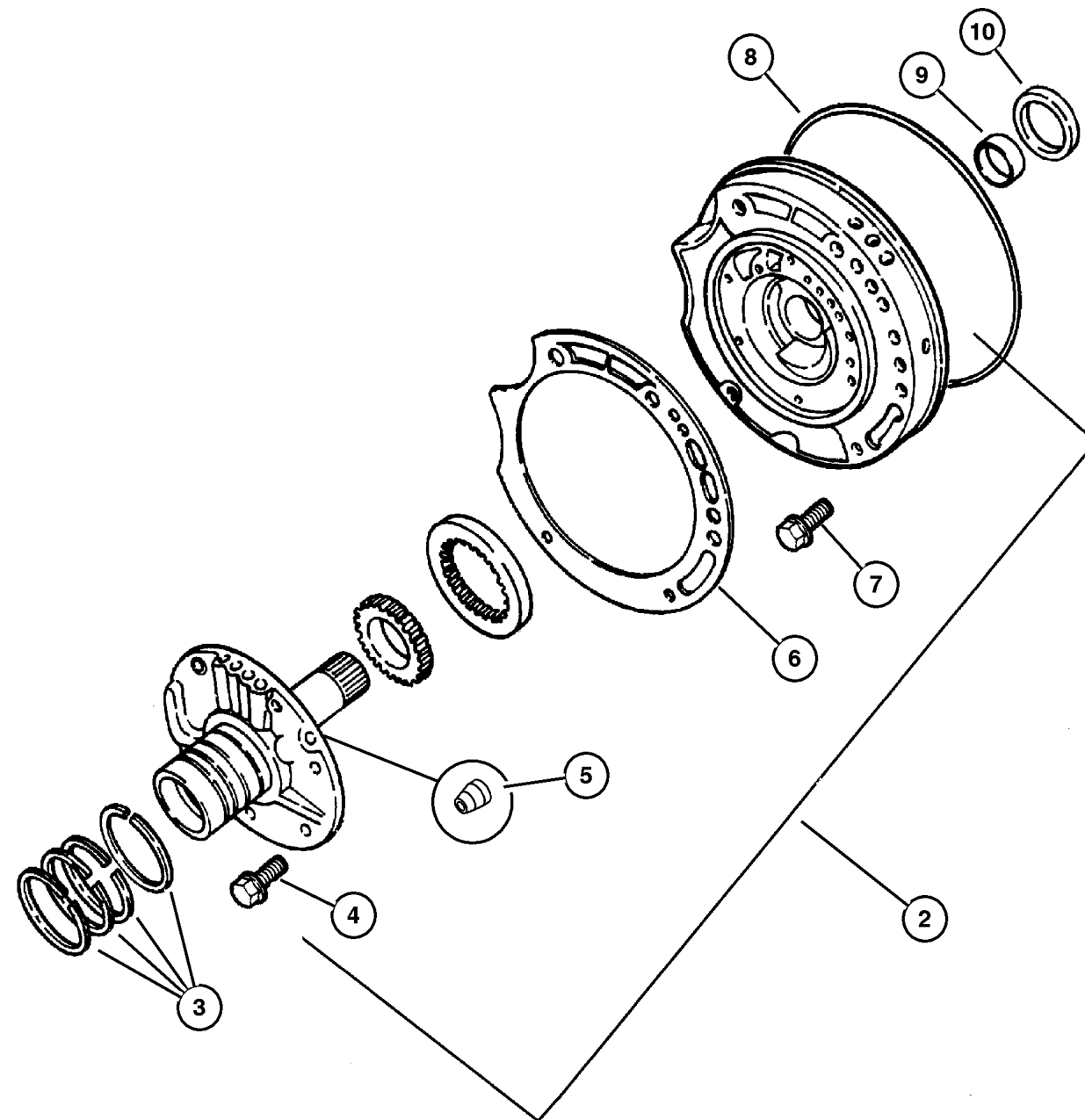
AR = Use as required - = Non illustrated part # = New this model year

September 29, 2003

Oil Pump & Reaction Shaft [DG6]  
Figure 42RLE-310

ITEM	PART NUMBER	QTY	LINE	SERIES	BODY	ENGINE	TRANS	TRIM	DESCRIPTION
------	-------------	-----	------	--------	------	--------	-------	------	-------------

1 ED0 DG6

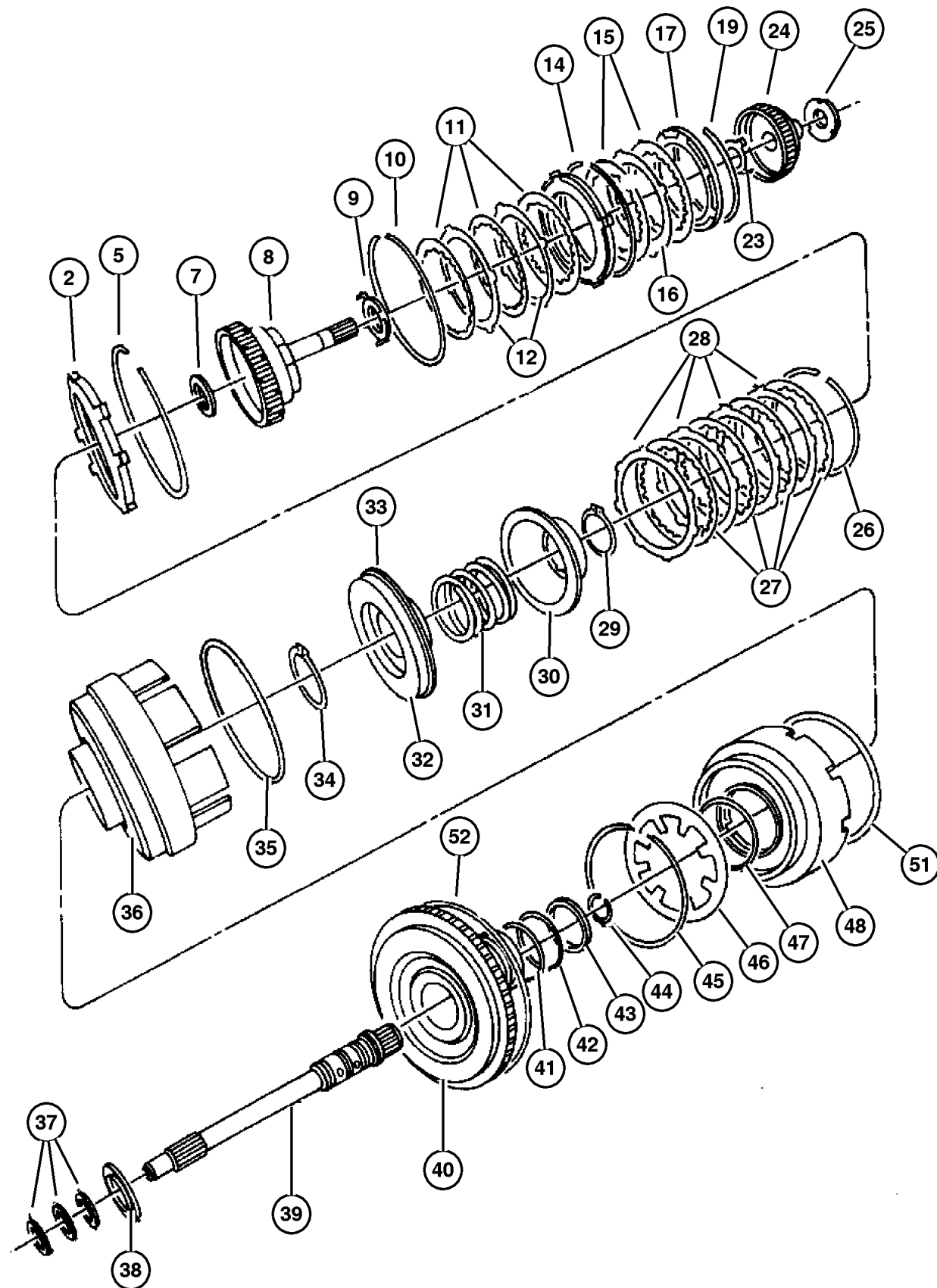


<b>JEEP WRANGLER (TJ)</b>				
SERIES	LINE	BODY	ENGINE	TRANSMISSION
H = Sport	J = Wrangler 4WD	77 = 93.4 WB	ED1, ED0 = 2.4L DOHC	DGG, DGD = 32RH 3 Spd Auto
L = SE	U = Wrangler 4WD (RHD)		ERH = 4.0L Power Tech	DDD = 5 Speed HD Manual
M = X				DG0 = Auto. Trans.
P = Sahara				DBB = Manual Trans.
S = Rubicon				DDK = 5 Speed Manual

AR = Use as required - = Non illustrated part # = New this model year

September 29, 2003

### Clutch, Input Shaft [DG6] Figure 42RLE-410



ITEM	PART NUMBER	QTY	LINE	SERIES	BODY	ENGINE	TRANS	TRIM	DESCRIPTION
NOTE:									
Sales Codes:									
[DG6]=4 Speed Automatic Transmission - 42RLE									
[ED0]=All 2.4L 4 Cyl. Engines									
[ER0]=All 4.0L Inline 6 Engines									
-1									SEAL AND GASKET PACKAGE, Transmission Front Clutch
	4883 240AB	1				ER0	DG6		
		1				ED0	DG6		
2									PLATE PACKAGE, Underdrive Reaction, 5.72/5.82
	4883 013AB	1				ER0	DG6		
		1				ED0	DG6		
-3									PLATE PACKAGE, Underdrive Reaction, 6.21/6.31
	4883 014AB	1				ER0	DG6		
		1				ED0	DG6		
-4									PLATE PACKAGE, Underdrive Reaction, 6.70/6.80
	4883 015AB	1				ER0	DG6		
		1				ED0	DG6		
5									SNAP RING, Underdrive Clutch, Tapered
	4659 934	1				ER0	DG6		
		1				ED0	DG6		
-6									SNAP RING, Underdrive Clutch, Flat
	4659 980	1				ER0	DG6		
		1				ED0	DG6		
7									THRUST BEARING
	4567 262	1				ER0	DG6		Input Clutch
		1				ED0	DG6		Input Clutch
8									HUB AND SHAFT PACKAGE, Underdrive Clutch
	4864 936AC	1				ER0	DG6		With Shaft & Thrust Washer
		1				ED0	DG6		With Shaft & Thrust Washer
9									PLATE AND WASHER PACKAGE, Thrust
	5018 923AA	1				ER0	DG6		
		1				ED0	DG6		
10									SNAP RING
	4505 621	1				ER0	DG6		Reverse & Overdrive Clutch
									Pressure Plate, Wave

**JEEP WRANGLER (TJ)**

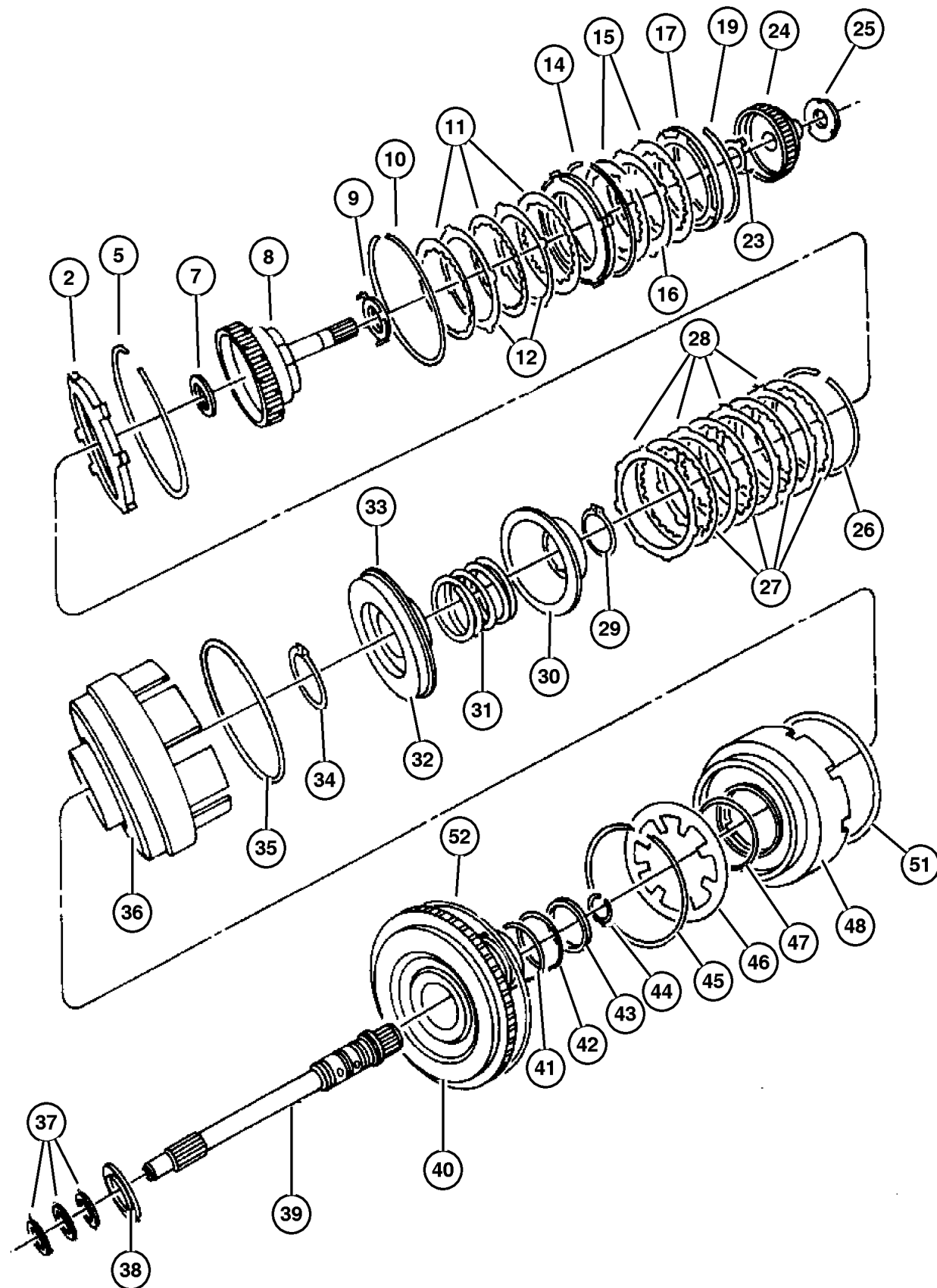
<b>SERIES</b>	<b>LINE</b>	<b>BODY</b>	<b>ENGINE</b>	<b>TRANSMISSION</b>
H = Sport	J = Wrangler 4WD	77 = 93.4 WB	ED1, ED0 = 2.4L DOHC	DGG, DGD = 32RH 3 Spd Auto
L = SE	U = Wrangler 4WD (RHD)		ERH = 4.0L Power Tech	DDD = 5 Speed HD Manual
M = X				DG0 = Auto. Trans.
P = Sahara				DBB = Manual Trans.
S = Rubicon				DDK = 5 Speed Manual

AR = Use as required - = Non illustrated part # = New this model year

September 29, 2003



Clutch, Input Shaft [DG6]  
Figure 42RLE-410



ITEM	PART NUMBER	QTY	LINE	SERIES	BODY	ENGINE	TRANS	TRIM	DESCRIPTION
		1				ED0	DG6		Reverse & Overdrive Clutch
11	4531 678	4				ER0	DG6		Pressure Plate, Wave DISC, Clutch
		4				ED0	DG6		
12	4659 053	3				ER0	DG6		PLATE, Transmission O/Drive Clutch
		3				ED0	DG6		
-13									HUB PACKAGE, Input Clutch
	5017 518AB	1				ER0	DG6		
		1				ED0	DG6		
14	4505 622	1				ER0	DG6		SNAP RING Reverse & Overdrive Pressure Plate, Flat
		1				ED0	DG6		Reverse & Overdrive Pressure Plate, Flat
15	4531 678	4				ER0	DG6		DISC, Clutch
		4				ED0	DG6		
16	4659 053	3				ER0	DG6		PLATE, Transmission O/Drive Clutch Reverse Clutch
		3				ED0	DG6		Reverse Clutch
17	4377 194	1				ER0	DG6		PLATE, Transmission Clutch Reaction
		1				ED0	DG6		Reverse
-18	4531 556AC	1				ER0	DG6		PLATE, Transmission O/Drive Clutch Reverse & Overdrive Clutch
		1				ED0	DG6		Reverse & Overdrive Clutch
19	4377 195	1				ER0	DG6		SNAP RING [1.53 - 1.58MM] Thick
		1				ED0	DG6		[1.53 - 1.58MM] Thick
-20	4412 871	1				ER0	DG6		SNAP RING, Reverse Clutch, 1.77-1.83mm
		1				ED0	DG6		[1.77 - 1.83MM] Thick
-21	4412 872	1				ER0	DG6		SNAP RING, Reverse Clutch, 2.02-2.07mm
		1				ED0	DG6		[2.02 - 2.07MM] Thick
-22									SNAP RING, Reverse Clutch, 2.27-2.32mm

JEEP WRANGLER (TJ)

SERIES  
H = Sport  
L = SE  
M = X  
P = Sahara  
S = Rubicon

LINE  
J = Wrangler 4WD  
U = Wrangler 4WD (RHD)

BODY  
77 = 93.4 WB

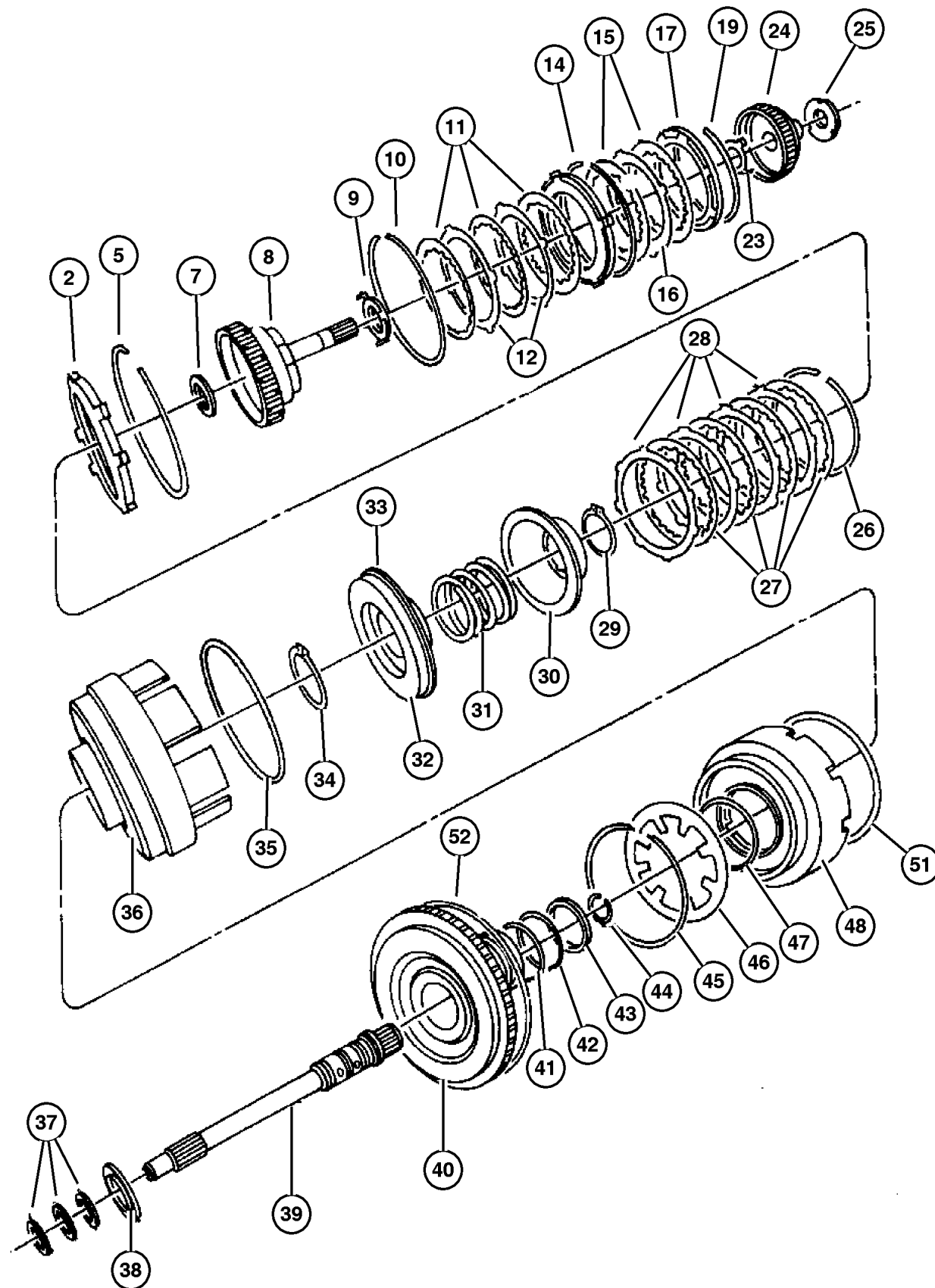
ENGINE  
ED1, ED0 = 2.4L DOHC  
ERH = 4.0L Power Tech

TRANSMISSION  
DGG, DGD = 32RH 3 Spd Auto  
DDD = 5 Speed HD Manual  
DG0 = Auto. Trans.  
DBB = Manual Trans.  
DDK = 5 Speed Manual

AR = Use as required - = Non illustrated part # = New this model year

September 29, 2003

Clutch, Input Shaft [DG6]  
Figure 42RLE-410



ITEM	PART NUMBER	QTY	LINE	SERIES	BODY	ENGINE	TRANS	TRIM	DESCRIPTION
	4412 873	1				ER0	DG6		[2.27 - 2.32MM] Thick
23		1				ED0	DG6		[2.27 - 2.32MM] Thick PLATE AND WASHER PACKAGE, Thrust
	5018 923AA	1				ER0	DG6		
24		1				ED0	DG6		HUB AND SHAFT, Overdrive Clutch
	4659 993	1				ER0	DG6		
		1				ED0	DG6		
25									PLATE, Transmission O/Drive Clutch
	3836 237AB	AR				ER0	DG6		[1.70 - 1.77MM]
	3836 241AB	AR				ED0	DG6		[2.58 - 2.65MM]
	4431 665AB	AR				ER0	DG6		[1.55 - 1.66MM]
		AR				ED0	DG6		[1.55 - 1.66MM]
	4431 666AB	AR				ER0	DG6		[1.81 - 1.88MM]
		AR				ED0	DG6		[1.81 - 1.88MM]
	4431 667AB	AR				ER0	DG6		[2.03 - 2.10MM]
		AR				ED0	DG6		[2.03 - 2.10MM]
	4431 668AB	AR				ER0	DG6		[2.25 - 2.32MM]
		AR				ED0	DG6		[2.25 - 2.32MM]
	4431 669AB	AR				ER0	DG6		[2.47 - 2.54MM]
	3836 237AB	AR				ED0	DG6		[1.70 - 1.77MM]
	4431 669AB	AR				ED0	DG6		[2.47 - 2.54MM]
	4446 670AB	AR				ER0	DG6		[2.69 - 2.76MM]
		AR				ED0	DG6		[2.69 - 2.76MM]
	4446 671AB	AR				ER0	DG6		[2.91 - 2.98MM]
		AR				ED0	DG6		[2.91 - 2.98MM]
	3836 238AB	AR				ER0	DG6		[1.92 - 1.99MM]
		AR				ED0	DG6		[1.92 - 1.99MM]
	3836 239AB	AR				ER0	DG6		[2.14 - 2.21MM]
		AR				ED0	DG6		[2.14 - 2.21MM]
	3836 240AB	AR				ER0	DG6		[2.36 - 2.43MM]
		AR				ED0	DG6		[2.36 - 2.43MM]
	3836 241AB	AR				ER0	DG6		[2.58 - 2.65MM]
26									SNAP RING, Underdrive Clutch, Flat
	4659 980	1				ER0	DG6		[1.53 - 1.58MM]
		1				ED0	DG6		[1.53 - 1.58MM]
27									DISC, Clutch
	4531 678	4				ER0	DG6		
		4				ED0	DG6		
28									PLATE, Transmission O/Drive Clutch

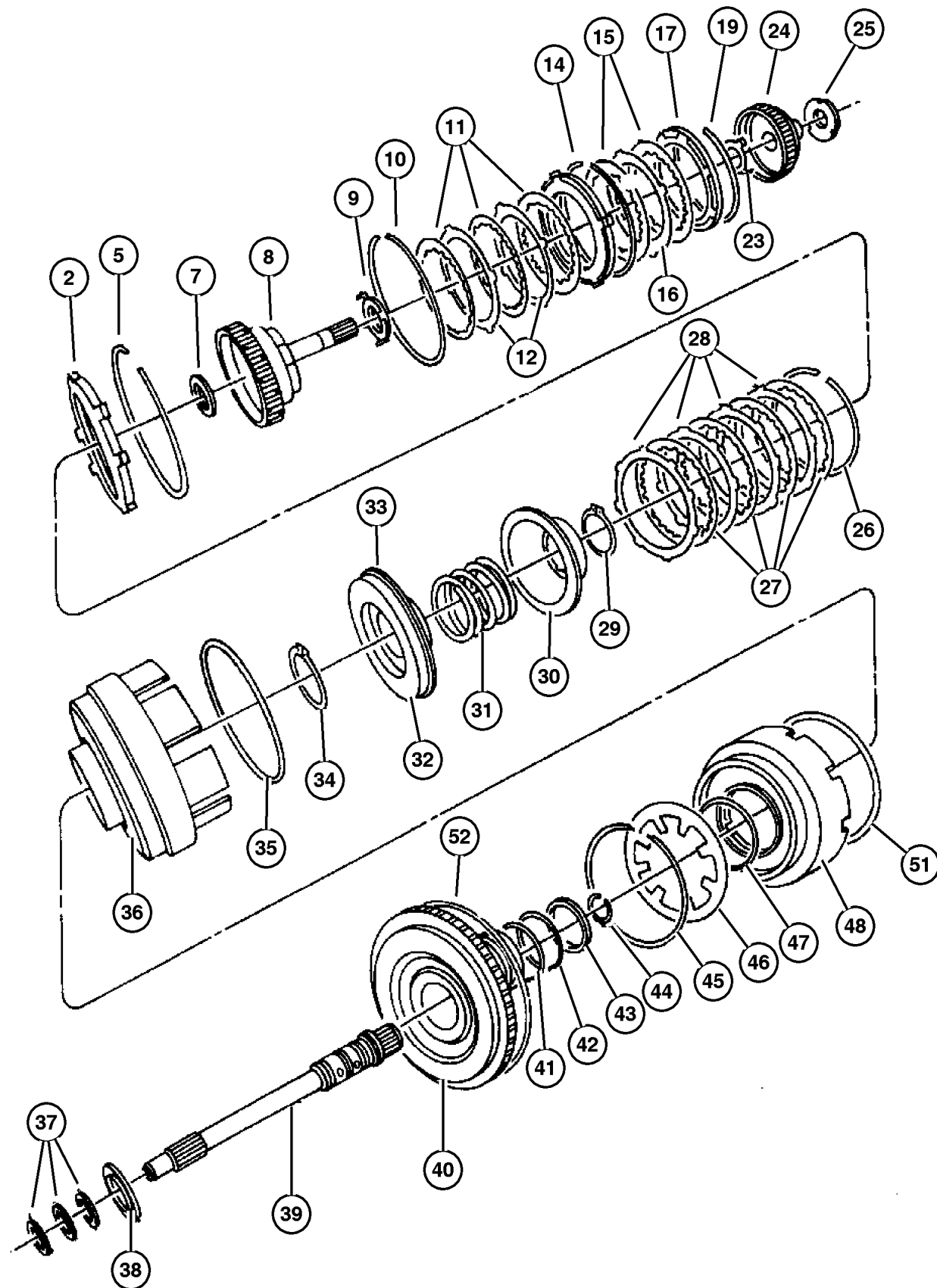
JEEP WRANGLER (TJ)

SERIES	LINE	BODY	ENGINE	TRANSMISSION
H = Sport	J = Wrangler 4WD	77 = 93.4 WB	ED1, ED0 = 2.4L DOHC	DGG, DGD = 32RH 3 Spd Auto
L = SE	U = Wrangler 4WD (RHD)		ERH = 4.0L Power Tech	DDD = 5 Speed HD Manual
M = X				DG0 = Auto. Trans.
P = Sahara				DBB = Manual Trans.
S = Rubicon				DDK = 5 Speed Manual

AR = Use as required - = Non illustrated part # = New this model year

September 29, 2003

Clutch, Input Shaft [DG6]  
Figure 42RLE-410



ITEM	PART NUMBER	QTY	LINE	SERIES	BODY	ENGINE	TRANS	TRIM	DESCRIPTION
	4659 053	4				ER0	DG6		
		4				ED0	DG6		
29	6501 715	1				ER0	DG6		SNAP RING
		1				ED0	DG6		
30									RETAINER AND SEAL, Transmission U/Drive Spring
	4431 612	1				ER0	DG6		
		1				ED0	DG6		
31									SPRING, Drive Lower Case
	4377 177	1				ER0	DG6		
		1				ED0	DG6		
32									OVERHAUL PACKAGE, Transmission
	#5101 920AA	1				ER0	DG6		Includes Underdrive Piston & Seals - Up to 10/20/2002
		1				ED0	DG6		Includes Underdrive Piston & Seals - Up to 10/20/2002
	#5103 073AA	1				ER0	DG6		Includes Underdrive Piston & Seals - After 10/20/2002
		1				ED0	DG6		Includes Underdrive Piston & Seals - After 10/20/2002
33									PISTON, Underdrive
	4431 610	1				ER0	DG6		Also Available in Overhaul Package
		1				ED0	DG6		Also Available in Overhaul Package
34									SNAP RING
	6507 226AA	1				ER0	DG6		
		1				ED0	DG6		
35									SEAL, Piston Outer, 140mm OD
	4659 871	1				ER0	DG6		
		1				ED0	DG6		
36									RETAINER, Transmission Input Clutch
	4659 935	1				ER0	DG6		
		1				ED0	DG6		
37									SEAL, Input Shaft
	4446 543	3				ER0	DG6		
		3				ED0	DG6		
38									THRUST BEARING

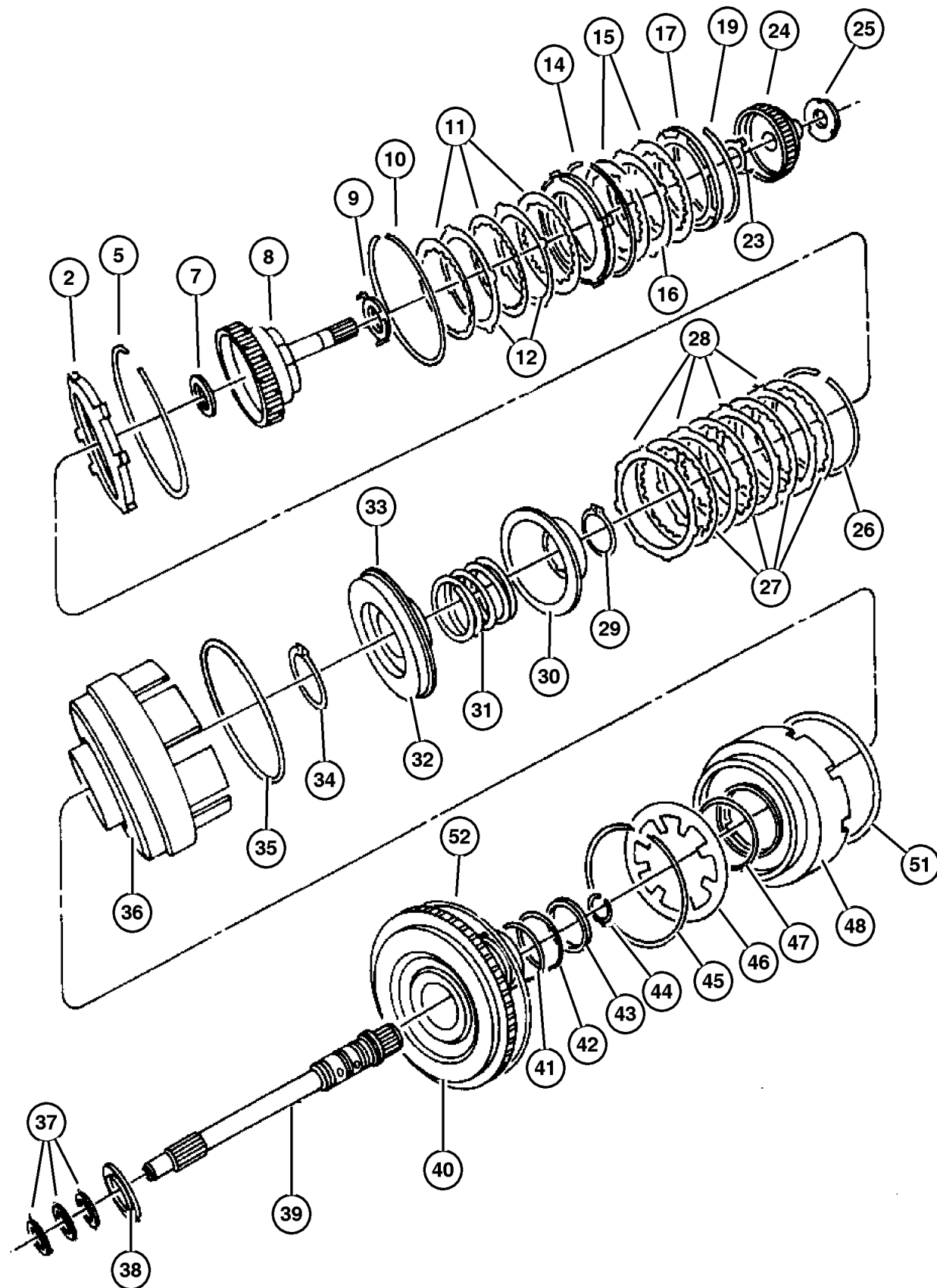
JEEP WRANGLER (TJ)

SERIES	LINE	BODY	ENGINE	TRANSMISSION
H = Sport	J = Wrangler 4WD	77 = 93.4 WB	ED1, ED0 = 2.4L DOHC	DGG, DGD = 32RH 3 Spd Auto
L = SE	U = Wrangler 4WD (RHD)		ERH = 4.0L Power Tech	DDD = 5 Speed HD Manual
M = X				DG0 = Auto. Trans.
P = Sahara				DBB = Manual Trans.
S = Rubicon				DDK = 5 Speed Manual

AR = Use as required - = Non illustrated part # = New this model year

September 29, 2003

Clutch, Input Shaft [DG6]  
Figure 42RLE-410



ITEM	PART NUMBER	QTY	LINE	SERIES	BODY	ENGINE	TRANS	TRIM	DESCRIPTION
	4412 209	1				ER0	DG6		
		1				ED0	DG6		
39	4626 452AB	1				ED0	DG6		INPUT SHAFT PACKAGE, Transaxle
		1				ER0	DG6		
40									HUB, Input Clutch, Serviced in Assembly, (NOT SERVICED) (Not Serviced)
41									O RING, Transmission Clutch
	6502 271	1				ER0	DG6		
		1				ED0	DG6		
42	6502 269	1				ER0	DG6		O RING, Transmission Clutch
		1				ED0	DG6		
43	4659 391AB	1				ER0	DG6		SEAL, Under Drive
		1				ED0	DG6		
44	6501 702	1				ER0	DG6		SNAP RING
		1				ED0	DG6		
45									SNAP RING
	4412 203	1				ER0	DG6		
		1				ED0	DG6		
46	4412 202	1				ER0	DG6		SPRING, Overdrive Piston
		1				ED0	DG6		
47									O RING, Reverse & O/Drive Clutch Piston, Transmission
	6033 158	1				ER0	DG6		
		1				ED0	DG6		
48	5017 518AB	1				ER0	DG6		HUB PACKAGE, Input Clutch
		1				ED0	DG6		
-49									PISTON, Reverse and Overdrive, Serviced in Assembly, (NOT SERVICED) (Not Serviced)
-50									FILTER, Reverse And O/D Clutch
	4531 903	1				ER0	DG6		
		1				ED0	DG6		
51	4659 056	1				ER0	DG6		SEAL, Reverse Servo Piston

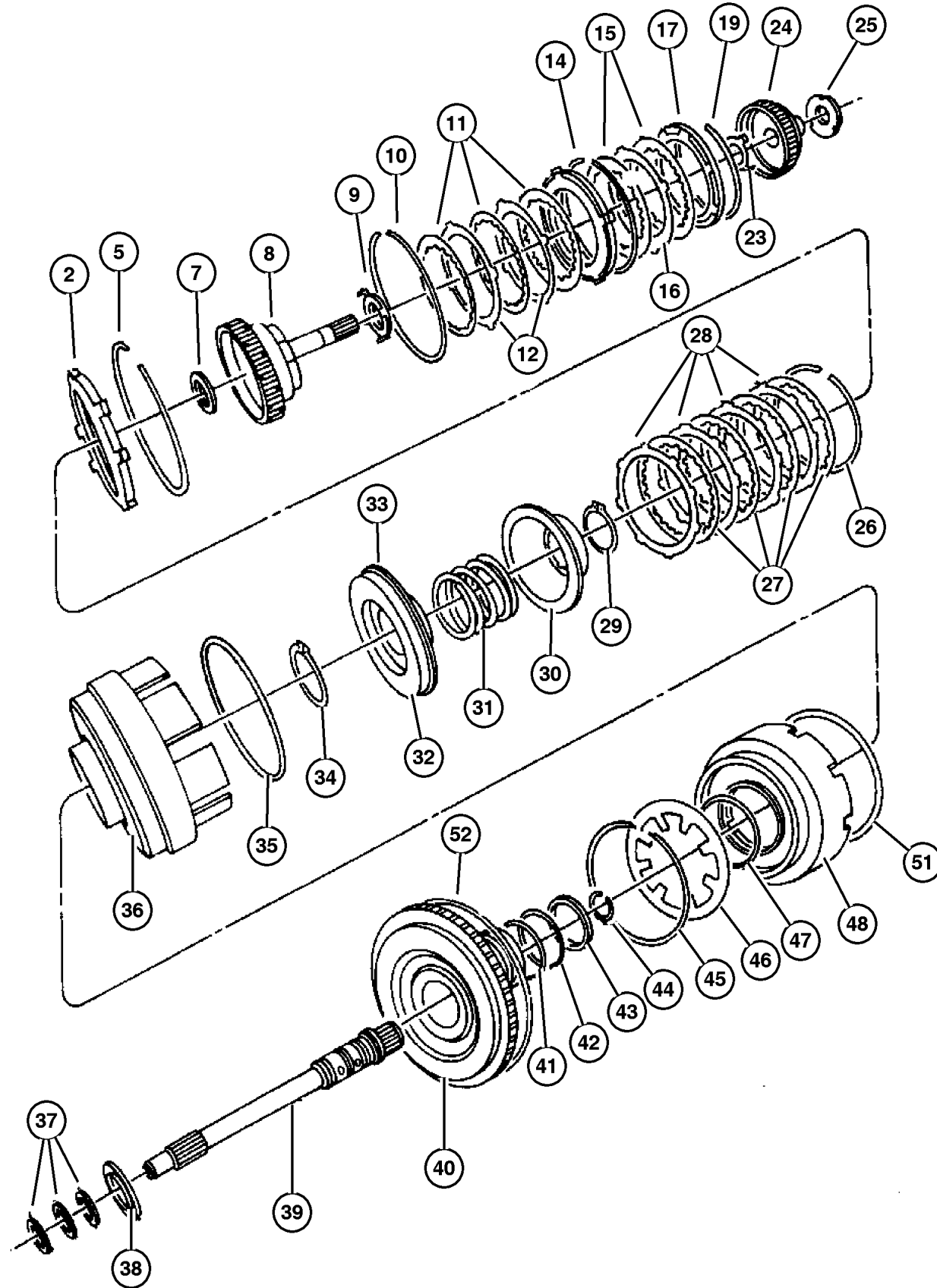
JEEP WRANGLER (TJ)

SERIES	LINE	BODY	ENGINE	TRANSMISSION
H = Sport	J = Wrangler 4WD	77 = 93.4 WB	ED1, ED0 = 2.4L DOHC	DGG, DGD = 32RH 3 Spd Auto
L = SE	U = Wrangler 4WD (RHD)		ERH = 4.0L Power Tech	DDD = 5 Speed HD Manual
M = X				DG0 = Auto. Trans.
P = Sahara				DBB = Manual Trans.
S = Rubicon				DDK = 5 Speed Manual

AR = Use as required - = Non illustrated part # = New this model year

September 29, 2003

Clutch, Input Shaft [DG6]  
Figure 42RLE-410



ITEM	PART NUMBER	QTY	LINE	SERIES	BODY	ENGINE	TRANS	TRIM	DESCRIPTION
		1				ED0	DG6		
52	4659 056	1				ER0	DG6		SEAL, Reverse Servo Piston
		1				ED0	DG6		

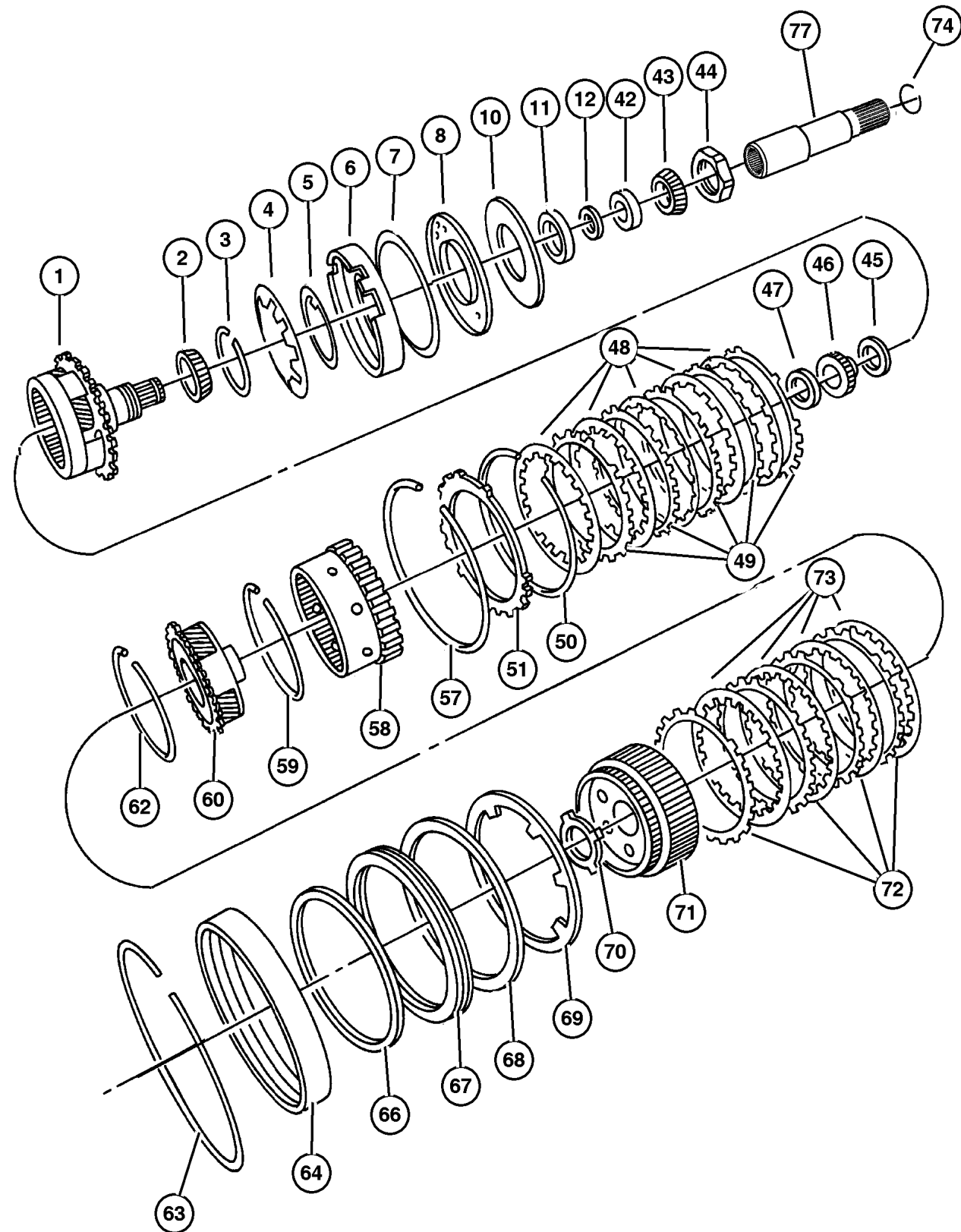
JEEP WRANGLER (TJ)

SERIES	LINE	BODY	ENGINE	TRANSMISSION
H = Sport	J = Wrangler 4WD	77 = 93.4 WB	ED1, ED0 = 2.4L DOHC	DGG, DGD = 32RH 3 Spd Auto
L = SE	U = Wrangler 4WD (RHD)		ERH = 4.0L Power Tech	DDD = 5 Speed HD Manual
M = X				DG0 = Auto. Trans.
P = Sahara				DBB = Manual Trans.
S = Rubicon				DDK = 5 Speed Manual

AR = Use as required - = Non illustrated part # = New this model year

September 29, 2003

**Gear Train [DG6]  
Figure 42RLE-420**



ITEM	PART NUMBER	QTY	LINE	SERIES	BODY	ENGINE	TRANS	TRIM	DESCRIPTION
------	-------------	-----	------	--------	------	--------	-------	------	-------------

**NOTE:**

Sales Codes:

[DG6]=4 Speed Automatic Transmission - 42RLE

[ED0]=All 2.4L 4 Cyl. Engines

[ER0]=All 4.0L Inline 6 Engines

1									CARRIER AND BEARING, Planet Pinion
	#5101 875AA	1				ED0	DG6		
		1				ER0	DG6		
2									BEARING CONE, Output Shaft
	4412 235	1				ER0	DG6		
		1				ED0	DG6		
3									SNAP RING
	6501 853	1				ER0	DG6		
		1				ED0	DG6		
4									SPRING, Low/Reverse Clutch Piston
	4412 261	1				ER0	DG6		
		1				ED0	DG6		
5									SEAL PACKAGE, Transmission Clutch
	4882 917	1				ER0	DG6		
		1				ED0	DG6		
6									PISTON, Low and Reverse Clutch Use with Transmission Assembly 52852903AA
	4431 672	1				ER0	DG6		
		1				ED0	DG6		Use with Transmission Assembly 52852904AA
	#4800 258AA	1				ER0	DG6		Use with Transmission Assembly 52852903AC
		1				ED0	DG6		Use with Transmission Assembly 52852904AC
	#52852 946AA	1				ER0	DG6		Use with Transmission Assembly 52854104AA
		1				ED0	DG6		Use with Transmission Assembly 52854105AA
7									SEAL PACKAGE, Transmission Clutch
	4882 917	1				ER0	DG6		
		1				ED0	DG6		
8									RETAINER, Transmission Low and Reverse Clutch Piston

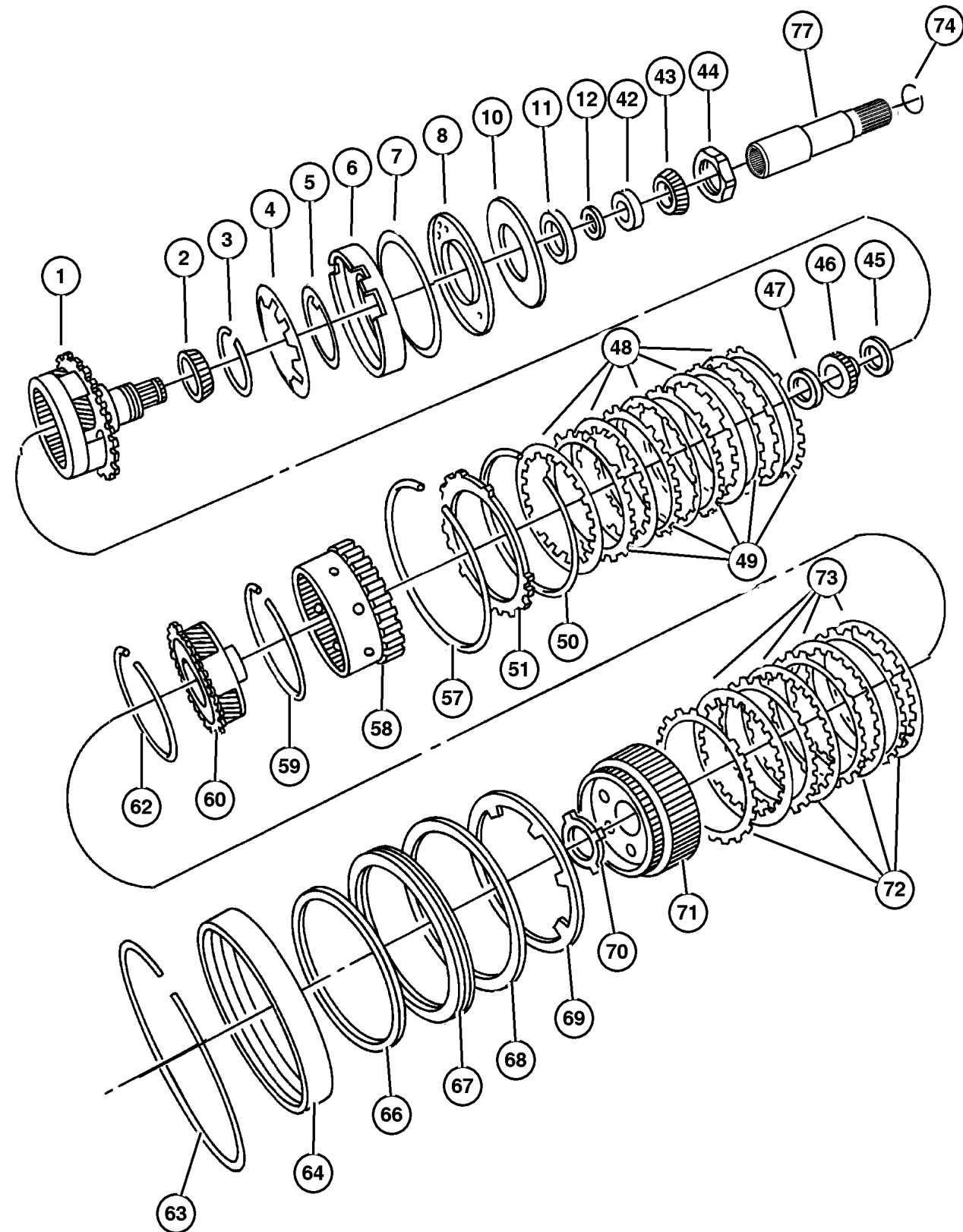
**JEEP WRANGLER (TJ)**

SERIES	LINE	BODY	ENGINE	TRANSMISSION
H = Sport	J = Wrangler 4WD	77 = 93.4 WB	ED1, ED0 = 2.4L DOHC	DGG, DGD = 32RH 3 Spd Auto
L = SE	U = Wrangler 4WD (RHD)		ERH = 4.0L Power Tech	DDD = 5 Speed HD Manual
M = X				DG0 = Auto. Trans.
P = Sahara				DBB = Manual Trans.
S = Rubicon				DDK = 5 Speed Manual

AR = Use as required - = Non illustrated part # = New this model year

September 29, 2003

**Gear Train [DG6]  
Figure 42RLE-420**



ITEM	PART NUMBER	QTY	LINE	SERIES	BODY	ENGINE	TRANS	TRIM	DESCRIPTION
	4431 648	1				ER0	DG6		Up to 1/27/2003
		1				ED0	DG6		Up to 1/27/2003
	#4800 255AA	1				ER0	DG6		After 1/27/2003
		1				ED0	DG6		After 1/27/2003
-9									SCREW AND WASHER, Pan Head, M5x0.8x11.00
	6501 819	3				ER0	DG6		
		3				ED0	DG6		
10									GASKET, Clutch Retainer
	4431 649	1				ER0	DG6		
		1				ED0	DG6		
11									BEARING CUP, Output Shaft
	4412 234	1				ER0	DG6		
		1				ED0	DG6		
12									SHIM, Carrier Bearing, 5.17 - 5. 19mm
	5280 020	AR				ER0	DG6		
		AR				ED0	DG6		
-13									SHIM, Carrier Bearing, 5.20 - 5. 22mm
	5280 021	AR				ER0	DG6		
		AR				ED0	DG6		
-14									SHIM, Carrier Bearing, 5.23 - 5. 25mm
	5280 022	AR				ER0	DG6		
		AR				ED0	DG6		
-15									SHIM, Carrier Bearing, 5.26 - 5. 28mm
	5280 023	AR				ER0	DG6		
		AR				ED0	DG6		
-16									SHIM, Carrier Bearing, 5.29 - 5. 31mm
	5280 024	AR				ER0	DG6		
		AR				ED0	DG6		
-17									SHIM, Carrier Bearing, 5.32 - 5. 34mm
	5280 025	AR				ER0	DG6		
		AR				ED0	DG6		
-18									SHIM, Carrier Bearing, 5.35 - 5. 37mm
	5280 026	AR				ER0	DG6		

**JEEP WRANGLER (TJ)**

SERIES  
H = Sport  
L = SE  
M = X  
P = Sahara  
S = Rubicon

LINE  
J = Wrangler 4WD  
U = Wrangler 4WD (RHD)

BODY  
77 = 93.4 WB

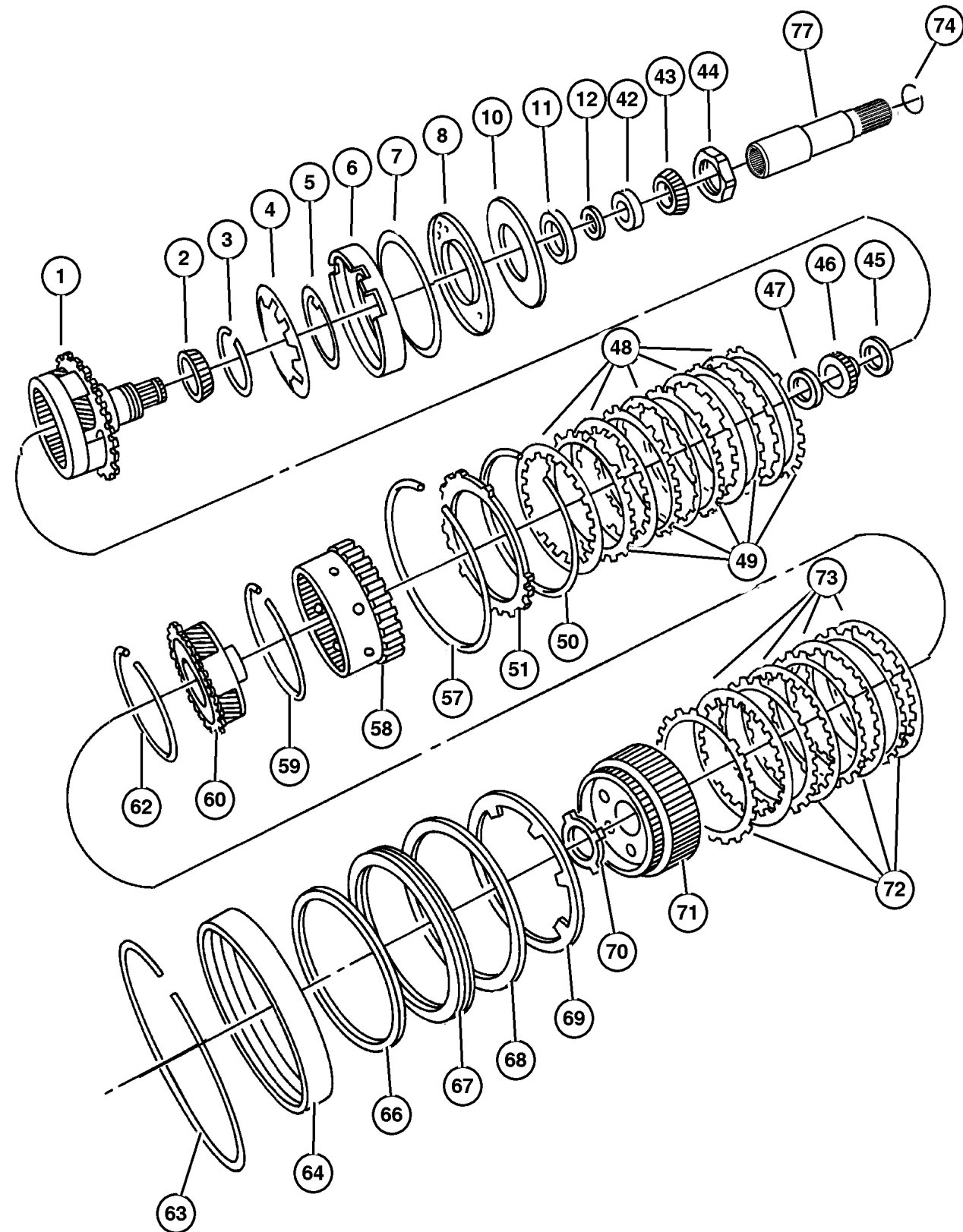
ENGINE  
ED1, ED0 = 2.4L DOHC  
ERH = 4.0L Power Tech

TRANSMISSION  
DGG, DGD = 32RH 3 Spd Auto  
DDD = 5 Speed HD Manual  
DG0 = Auto. Trans.  
DBB = Manual Trans.  
DDK = 5 Speed Manual

AR = Use as required - = Non illustrated part # = New this model year

September 29, 2003

**Gear Train [DG6]  
Figure 42RLE-420**



ITEM	PART NUMBER	QTY	LINE	SERIES	BODY	ENGINE	TRANS	TRIM	DESCRIPTION
						ED0	DG6		
-19			AR			ED0	DG6		SHIM, Carrier Bearing, 5.38 - 5.40mm
	5280 027	AR				ER0	DG6		
		AR				ED0	DG6		
-20			AR			ER0	DG6		SHIM, Carrier Bearing, 5.41 - 5.43mm
	5280 028	AR				ER0	DG6		
		AR				ED0	DG6		
-21			AR			ER0	DG6		SHIM, Carrier Bearing, 5.44 - 5.46mm
	5280 029	AR				ER0	DG6		
		AR				ED0	DG6		
-22			AR			ER0	DG6		SHIM, Carrier Bearing, 5.47 - 5.49mm
	5280 030	AR				ER0	DG6		
		AR				ED0	DG6		
-23			AR			ER0	DG6		SHIM, Carrier Bearing, 5.50 - 5.52mm
	5280 031	AR				ER0	DG6		
		AR				ED0	DG6		
-24			AR			ER0	DG6		SHIM, Carrier Bearing, 5.53 - 5.55mm
	5280 032	AR				ER0	DG6		
		AR				ED0	DG6		
-25			AR			ER0	DG6		SHIM, Carrier Bearing, 5.56 - 5.58mm
	5280 033	AR				ER0	DG6		
		AR				ED0	DG6		
-26			AR			ER0	DG6		SHIM, Carrier Bearing, 5.59 - 5.61mm
	5280 034	AR				ER0	DG6		
		AR				ED0	DG6		
-27			AR			ER0	DG6		SHIM, Carrier Bearing, 5.62 - 5.64mm
	5280 035	AR				ER0	DG6		
		AR				ED0	DG6		
-28			AR			ER0	DG6		SHIM, Carrier Bearing, 5.65 - 5.67mm
	5280 036	AR				ER0	DG6		
		AR				ED0	DG6		

**JEEP WRANGLER (TJ)**

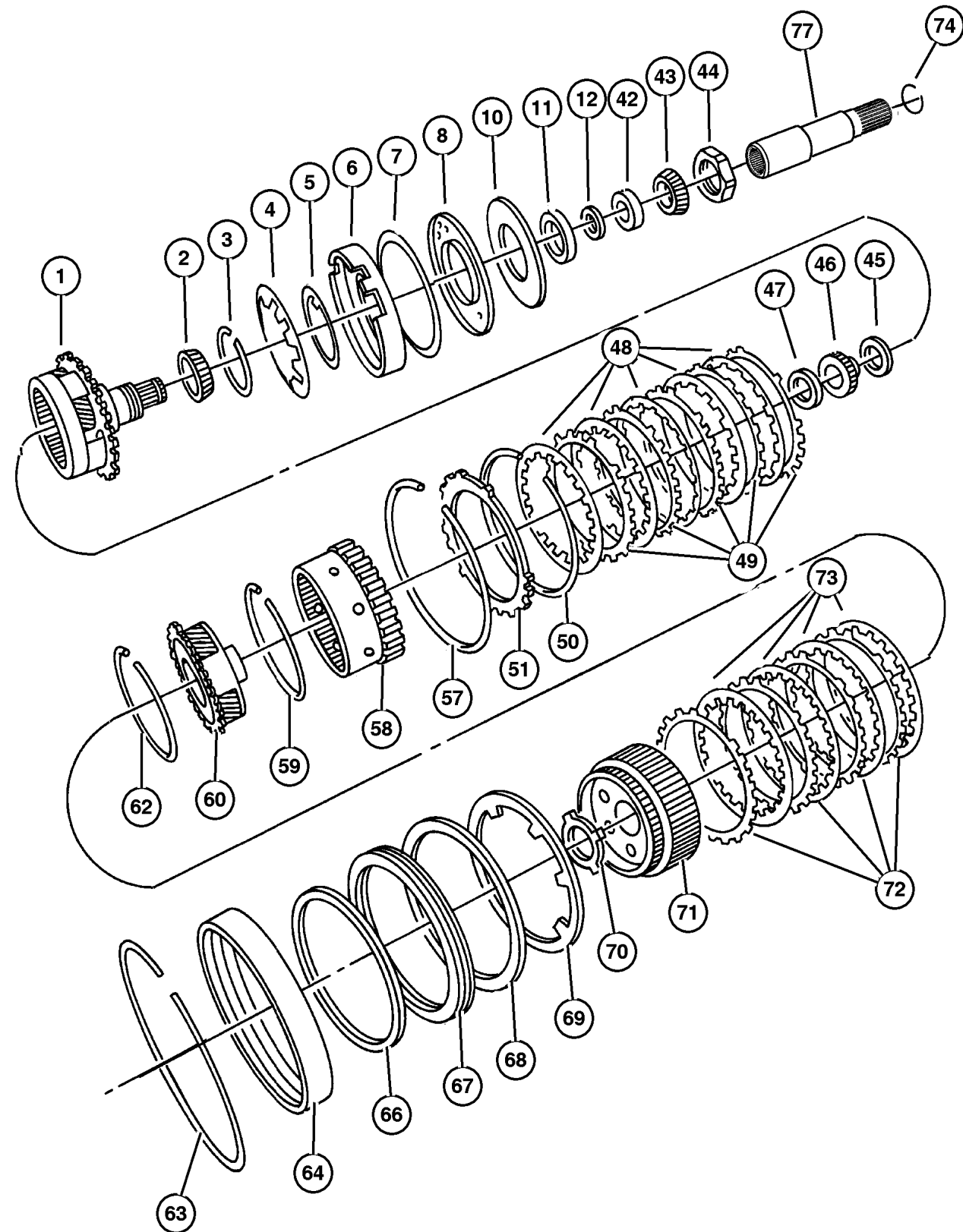
<b>SERIES</b>	<b>LINE</b>	<b>BODY</b>	<b>ENGINE</b>	<b>TRANSMISSION</b>
H = Sport	J = Wrangler 4WD	77 = 93.4 WB	ED1, ED0 = 2.4L DOHC	DGG, DGD = 32RH 3 Spd Auto
L = SE	U = Wrangler 4WD (RHD)		ERH = 4.0L Power Tech	DDD = 5 Speed HD Manual
M = X				DG0 = Auto. Trans.
P = Sahara				DBB = Manual Trans.
S = Rubicon				DDK = 5 Speed Manual

AR = Use as required - = Non illustrated part # = New this model year

September 29, 2003



**Gear Train [DG6]  
Figure 42RLE-420**



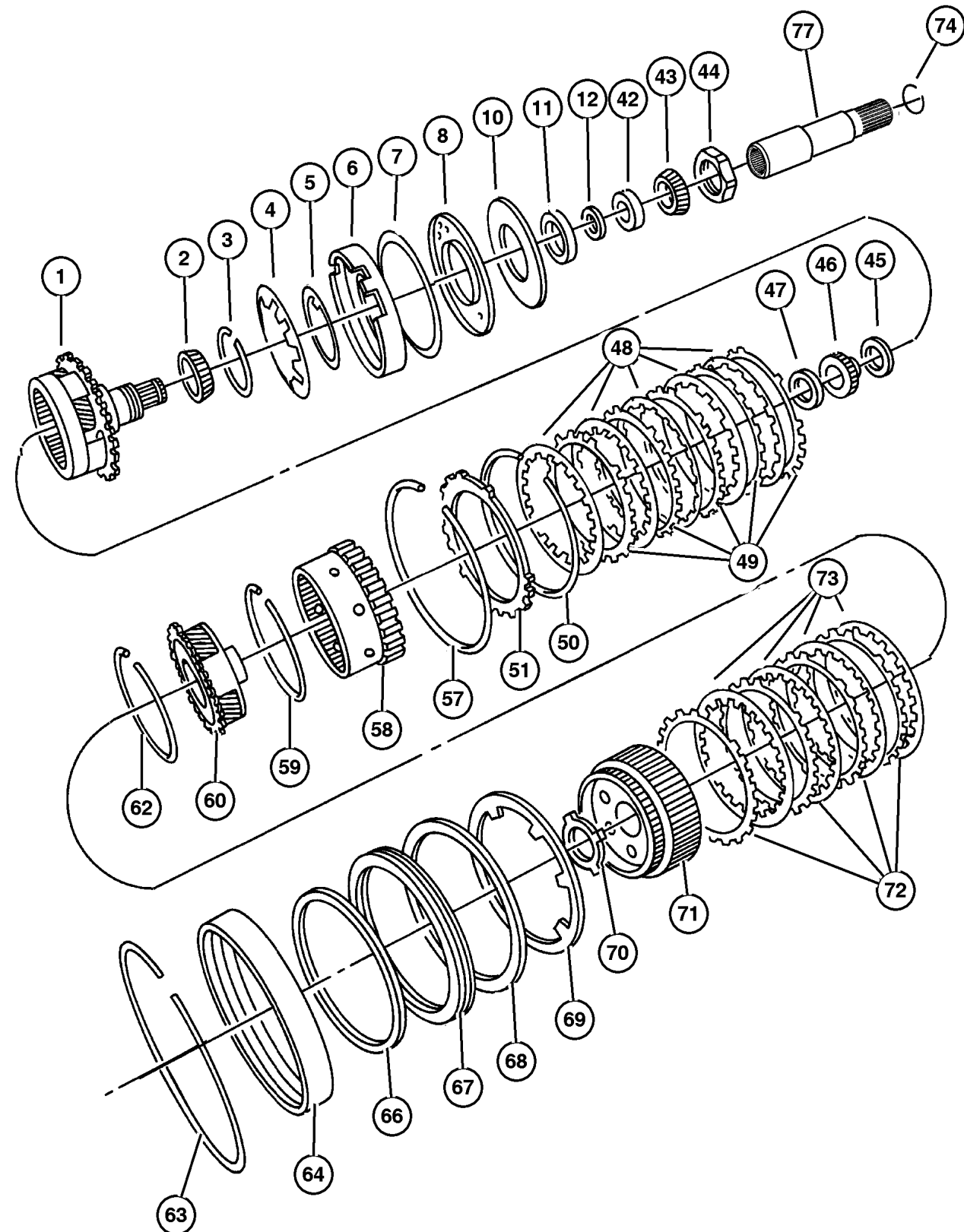
ITEM	PART NUMBER	QTY	LINE	SERIES	BODY	ENGINE	TRANS	TRIM	DESCRIPTION
-29									SHIM, Carrier Bearing, 5.68 - 5.70mm
	5280 037	AR				ER0	DG6		
		AR				ED0	DG6		
-30									SHIM, Carrier Bearing, 5.71 - 5.73mm
	5280 038	AR				ER0	DG6		
		AR				ED0	DG6		
-31									SHIM, Carrier Bearing, 5.74 - 5.76mm
	5280 039	AR				ER0	DG6		
		AR				ED0	DG6		
-32									SHIM, Carrier Bearing, 5.77 - 5.79mm
	5280 040	AR				ER0	DG6		
		AR				ED0	DG6		
-33									SHIM, Carrier Bearing, 5.80 - 5.82mm
	5280 041	AR				ER0	DG6		
		AR				ED0	DG6		
-34									SHIM, Carrier Bearing, 5.83 - 5.85mm
	5280 042	AR				ER0	DG6		
		AR				ED0	DG6		
-35									SHIM, Carrier Bearing, 5.86 - 5.88mm
	5280 043	AR				ER0	DG6		
		AR				ED0	DG6		
-36									SHIM, Carrier Bearing, 5.89 - 5.91mm
	5280 044	AR				ER0	DG6		
		AR				ED0	DG6		
-37									SHIM, Carrier Bearing, 5.92 - 5.94mm
	5280 045	AR				ER0	DG6		
		AR				ED0	DG6		
-38									SHIM, Carrier Bearing, 5.95 - 5.97mm
	5280 046	AR				ER0	DG6		
		AR				ED0	DG6		
-39									SHIM, Carrier Bearing, 5.98 - 6.00mm

**JEEP WRANGLER (TJ)**  
 SERIES LINE BODY ENGINE TRANSMISSION  
 H = Sport J = Wrangler 4WD 77 = 93.4 WB ED1, ED0 = 2.4L DOHC DGG, DGD = 32RH 3 Spd Auto  
 L = SE U = Wrangler 4WD (RHD) ERH = 4.0L Power Tech DDD = 5 Speed HD Manual  
 M = X DBB = Manual Trans.  
 P = Sahara DDK = 5 Speed Manual  
 S = Rubicon

AR = Use as required - = Non illustrated part # = New this model year

September 29, 2003

**Gear Train [DG6]  
Figure 42RLE-420**



ITEM	PART NUMBER	QTY	LINE	SERIES	BODY	ENGINE	TRANS	TRIM	DESCRIPTION
	5280 047	AR				ER0	DG6		
		AR				ED0	DG6		
-40									SHIM, Carrier Bearing, 6.01 - 6.03mm
	5280 048	AR				ER0	DG6		
		AR				ED0	DG6		
-41									SHIM, Carrier Bearing, 6.04 - 6.06mm
	5280 049	AR				ER0	DG6		
		AR				ED0	DG6		
42									BEARING CUP, Differential
	4567 022	1				ER0	DG6		
		1				ED0	DG6		
43									BEARING
	4567 025AB	1				ER0	DG6		
		1				ED0	DG6		
44									NUT, Rear Carrier, M36 x 1.50
	6502 476	1				ER0	DG6		
		1				ED0	DG6		
45									THRUST BEARING
	4412 209	1				ER0	DG6		
		1				ED0	DG6		
46									GEAR, Sun
	4377 080	1				ER0	DG6		
		1				ED0	DG6		
47									THRUST BEARING, Rear Sun Gear, Front
	4412 229AB	1				ER0	DG6		
		1				ED0	DG6		
48									DISC, Clutch
	4567 573AB	5				ER0	DG6		
		5				ED0	DG6		
49									PLATE, Transmission Clutch Reaction
	4659 055	5				ER0	DG6		
		5				ED0	DG6		
50									SNAP RING
	4412 395	1				ER0	DG6		
		1				ED0	DG6		
51									PLATE, Transmission Clutch Reaction

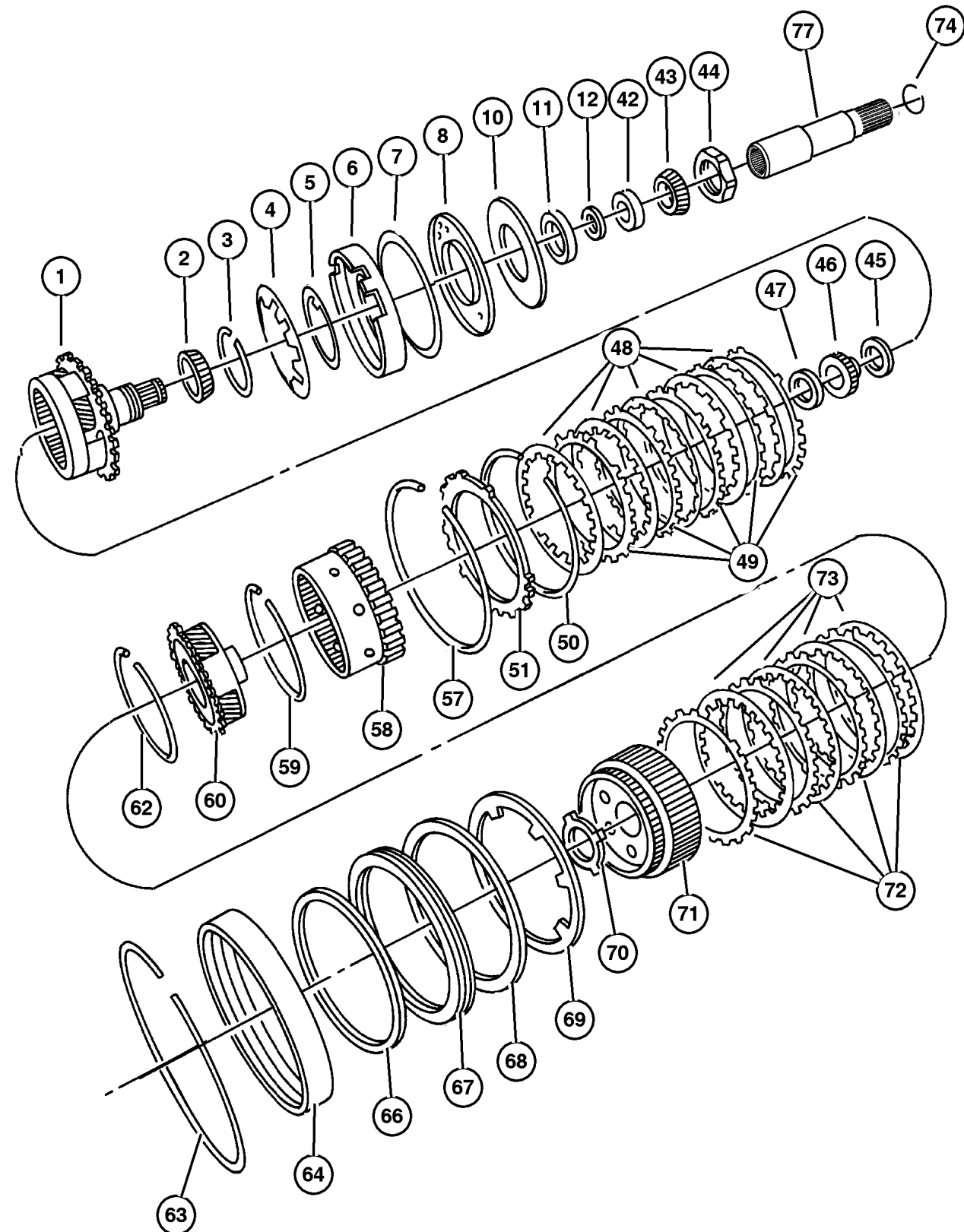
**JEEP WRANGLER (TJ)**

<b>SERIES</b>	<b>LINE</b>	<b>BODY</b>	<b>ENGINE</b>	<b>TRANSMISSION</b>
H = Sport	J = Wrangler 4WD	77 = 93.4 WB	ED1, ED0 = 2.4L DOHC	DGG, DGD = 32RH 3 Spd Auto
L = SE	U = Wrangler 4WD (RHD)		ERH = 4.0L Power Tech	DDD = 5 Speed HD Manual
M = X				DG0 = Auto. Trans.
P = Sahara				DBB = Manual Trans.
S = Rubicon				DDK = 5 Speed Manual

AR = Use as required - = Non illustrated part # = New this model year

September 29, 2003

**Gear Train [DG6]  
Figure 42RLE-420**



ITEM	PART NUMBER	QTY	LINE	SERIES	BODY	ENGINE	TRANS	TRIM	DESCRIPTION
	4377 194	1				ER0	DG6		
-52		1				ED0	DG6		PLATE PACKAGE, Low/Reverse Clutch, 5.753/6.012
	4897 452AA	1				ER0	DG6		
-53		1				ED0	DG6		PLATE PACKAGE, Low/Reverse Clutch, 6.013/6.272
	4897 453AA	1				ER0	DG6		
-54		1				ED0	DG6		PLATE PACKAGE, Low/Reverse Clutch, 6.273/6.532
	4897 454AA	1				ER0	DG6		
-55		1				ED0	DG6		PLATE PACKAGE, Low/Reverse Clutch, 6.533/6.792
	4897 455AA	1				ER0	DG6		
-56		1				ED0	DG6		PLATE PACKAGE, Low/Reverse Clutch, 6.793/7.052
	4897 456AA	1				ER0	DG6		
57		1				ED0	DG6		SNAP RING
	4799 858AA	1				ER0	DG6		
58		1				ED0	DG6		GEAR, Annulus
	4799 794	1				ER0	DG6		
59		1				ED0	DG6		SNAP RING
	6035 238	2				ER0	DG6		
60		2				ED0	DG6		CARRIER, Planetary Pinion
	4567 539AB	1				ER0	DG6		
-61		1				ED0	DG6		THRUST BEARING
	4412 209	1				ER0	DG6		
62		1				ED0	DG6		SNAP RING
	6035 238	2				ER0	DG6		
63		2				ED0	DG6		SNAP RING

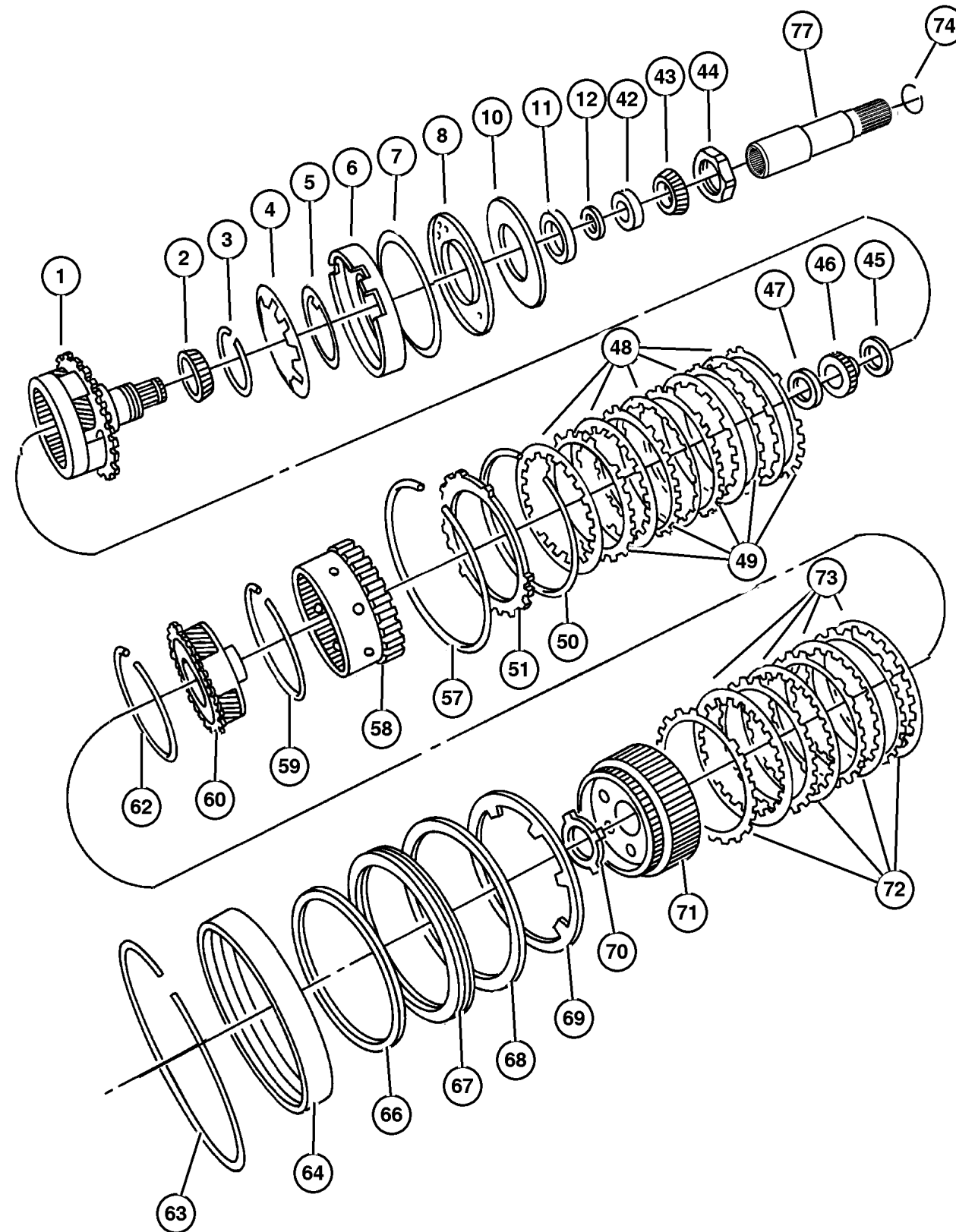
**JEEP WRANGLER (TJ)**

SERIES	LINE	BODY	ENGINE	TRANSMISSION
H = Sport	J = Wrangler 4WD	77 = 93.4 WB	ED1, ED0 = 2.4L DOHC	DGG, DGD = 32RH 3 Spd Auto
L = SE	U = Wrangler 4WD (RHD)		ERH = 4.0L Power Tech	DDD = 5 Speed HD Manual
M = X				DG0 = Auto. Trans.
P = Sahara				DBB = Manual Trans.
S = Rubicon				DDK = 5 Speed Manual

AR = Use as required - = Non illustrated part # = New this model year

September 29, 2003

**Gear Train [DG6]  
Figure 42RLE-420**



ITEM	PART NUMBER	QTY	LINE	SERIES	BODY	ENGINE	TRANS	TRIM	DESCRIPTION
	4505 591	1				ER0	DG6		
		1				ED0	DG6		
64									RETAINER PACKAGE, 2nd & 4th Clutch Piston
	4883 078	1				ER0	DG6		Includes Piston, Seal and Retainer
		1				ED0	DG6		Includes Piston, Seal and Retainer
-65									PISTON, 2nd and 4th Clutch
	4431 647	1				ER0	DG6		
		1				ED0	DG6		
66									SEAL PACKAGE, Transmission Clutch
	4856 002	1				ER0	DG6		
		1				ED0	DG6		
67									RETAINER PACKAGE, 2nd & 4th Clutch Piston
	4883 078	1				ER0	DG6		
		1				ED0	DG6		
68									SEAL PACKAGE, Transmission Clutch
	4856 002	1				ER0	DG6		
		1				ED0	DG6		
69									SPRING, 2nd And 4th Clutch Piston
	4412 248	1				ER0	DG6		
		1				ED0	DG6		
70									THRUST WASHER, Second and Fourth Clutch
	4412 216AB	1				ER0	DG6		
		1				ED0	DG6		
71									HUB AND GEAR, Second And Fourth Clutch
	4659 618AB	1				ER0	DG6		
		1				ED0	DG6		
72									PLATE, Transmission Clutch Reaction
	4659 054	4				ER0	DG6		
		4				ED0	DG6		
73									DISC, Clutch
	4799 860AB	4				ER0	DG6		
		4				ED0	DG6		
74									SNAP RING

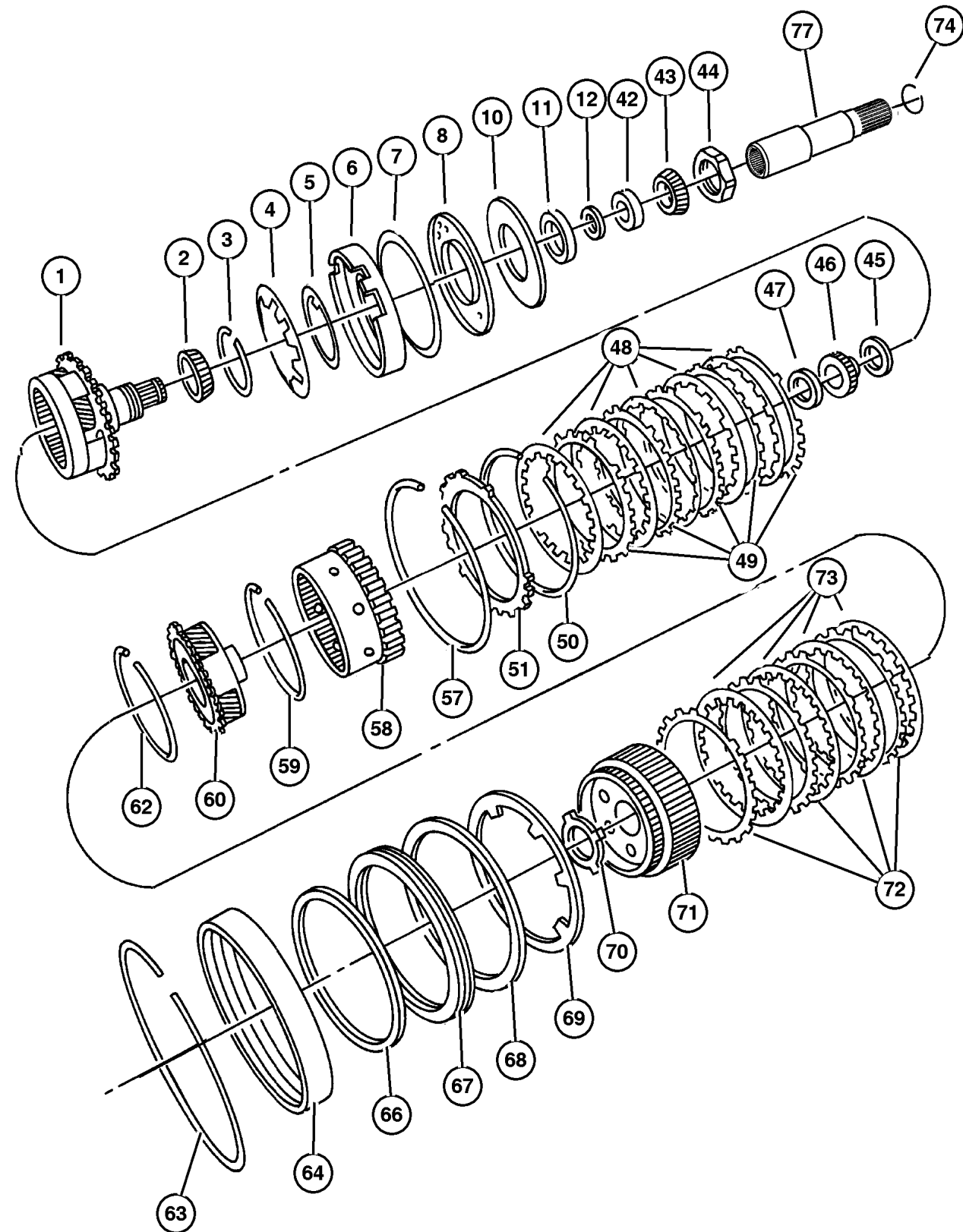
**JEEP WRANGLER (TJ)**

<b>SERIES</b>	<b>LINE</b>	<b>BODY</b>	<b>ENGINE</b>	<b>TRANSMISSION</b>
H = Sport	J = Wrangler 4WD	77 = 93.4 WB	ED1, ED0 = 2.4L DOHC	DGG, DGD = 32RH 3 Spd Auto
L = SE	U = Wrangler 4WD (RHD)		ERH = 4.0L Power Tech	DDD = 5 Speed HD Manual
M = X				DG0 = Auto. Trans.
P = Sahara				DBB = Manual Trans.
S = Rubicon				DDK = 5 Speed Manual

AR = Use as required - = Non illustrated part # = New this model year

September 29, 2003

**Gear Train [DG6]  
Figure 42RLE-420**



ITEM	PART NUMBER	QTY	LINE	SERIES	BODY	ENGINE	TRANS	TRIM	DESCRIPTION
	4377 195	1				ER0	DG6		
		1				ED0	DG6		
-75	3681 949	6				ER0	DG6		THRUST WASHER, Planet Pinion
		6				ED0	DG6		
-76	3743 664	95				ER0	DG6		ROLLER, Front and Rear Pinion
		95				ED0	DG6		
77									SHAFT, Intermediate
	#52852 915AA	1				ER0	DG6		
		1				ED0	DG6		
-78	#52852 916AA	1				ER0	DG6		CLIP Secure Intermediate Shaft
		1				ED0	DG6		Secure Intermediate Shaft

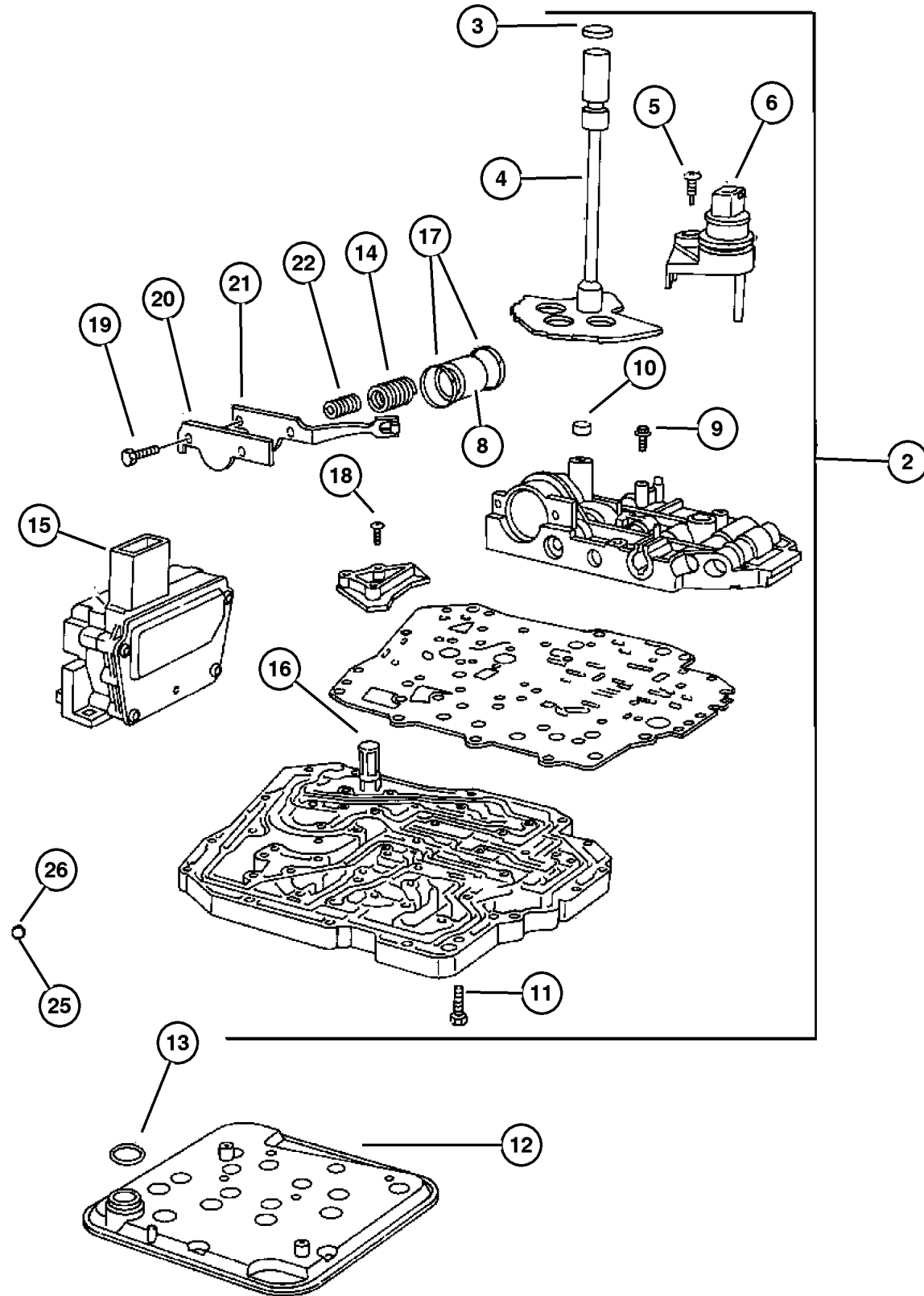
**JEEP WRANGLER (TJ)**

SERIES	LINE	BODY	ENGINE	TRANSMISSION
H = Sport	J = Wrangler 4WD	77 = 93.4 WB	ED1, ED0 = 2.4L DOHC	DGG, DGD = 32RH 3 Spd Auto
L = SE	U = Wrangler 4WD (RHD)		ERH = 4.0L Power Tech	DDD = 5 Speed HD Manual
M = X				DG0 = Auto. Trans.
P = Sahara				DBB = Manual Trans.
S = Rubicon				DDK = 5 Speed Manual

AR = Use as required - = Non illustrated part # = New this model year

September 29, 2003

**Valve Body [DG6]  
Figure 42RLE-710**



ITEM	PART NUMBER	QTY	LINE	SERIES	BODY	ENGINE	TRANS	TRIM	DESCRIPTION
------	-------------	-----	------	--------	------	--------	-------	------	-------------

NOTE: Gasket Package Includes All Valve Body Seals & Transmission Filter

Sales Codes:

[DG6]=4 Speed Automatic Transmission - 42RLE

[ED0]=All 2.4L 4 Cyl. Engines

[ER0]=All 4.0L Inline 6 Engines

-1									GASKET AND SEAL PACKAGE, Valve Body
	#5101 917AA	1				ER0	DG6		Can be used with Oil Pans 52852912AA and 52852912AB
						ED0	DG6		Can be used with Oil Pans 52852912AA and 52852912AB
	#5101 917AB	1				ER0	DG6		Use Only with Oil Pan 52852912AB
						ED0	DG6		Use Only with Oil Pan 52852912AB
2									VALVE BODY
	#52852 937AA	1				ER0	DG6		With Transfer Plate - Up to 10/20/2002
						ED0	DG6		With Transfer Plate - Up to 10/20/2002
	#52854 169AA	1				ER0	DG6		With Transfer Plate - After 10/20/2002
						ED0	DG6		With Transfer Plate - After 10/20/2002
3									SEAL, Manual Valve Lever
	4412 836	1				ER0	DG6		
						ED0	DG6		
4									LEVER, Manual Valve
	4539 665	1				ER0	DG6		
						ED0	DG6		
5									SCREW
	6506 245AA	1				ER0	DG6		
						ED0	DG6		
6									SENSOR, Manual Valve Lever
	4659 677AC	1				ER0	DG6		
						ED0	DG6		
-7									SEAL, Manual Valve Position Sensor
	4659 678	1				ER0	DG6		
						ED0	DG6		
8									PISTON, 2nd and 4th Accumulator
	4446 620	1				ER0	DG6		

**JEEP WRANGLER (TJ)**

SERIES  
H = Sport  
L = SE  
M = X  
P = Sahara  
S = Rubicon

LINE  
J = Wrangler 4WD  
U = Wrangler 4WD (RHD)

BODY  
77 = 93.4 WB

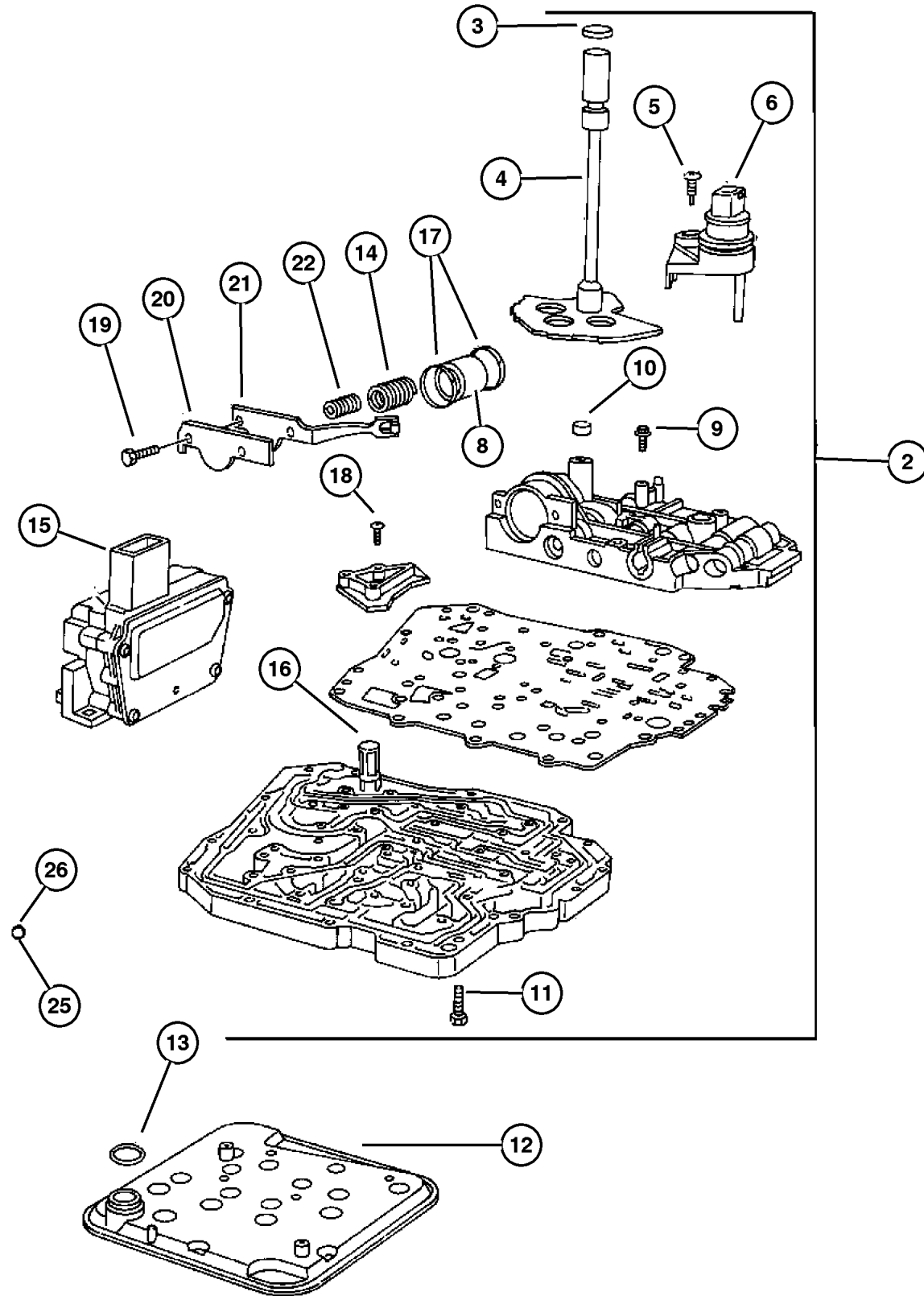
ENGINE  
ED1, ED0 = 2.4L DOHC  
ERH = 4.0L Power Tech

TRANSMISSION  
DGG, DGD = 32RH 3 Spd Auto  
DDD = 5 Speed HD Manual  
DG0 = Auto. Trans.  
DBB = Manual Trans.  
DDK = 5 Speed Manual

AR = Use as required - = Non illustrated part # = New this model year

September 29, 2003

Valve Body [DG6]  
Figure 42RLE-710



ITEM	PART NUMBER	QTY	LINE	SERIES	BODY	ENGINE	TRANS	TRIM	DESCRIPTION
						ED0	DG6		
9		1				ED0	DG6		SCREW AND WASHER, Pan Head, M5x.8x25
	6500 215	24				ER0	DG6		
		24				ED0	DG6		
10		1				ER0	DG6		SEAL, Clutch Feed
	4412 291	1				ED0	DG6		
11		1							SCREW AND WASHER, Pan Head, M5x.8x25
	6500 215	4				ER0	DG6		
		24				ED0	DG6		
12		1				ER0	DG6		FILTER, Transmission Oil
	#52852 913AA	1				ED0	DG6		Can be used with Oil Pans 52852912AA and 52852912AB
		1				ED0	DG6		Can be used with Oil Pans 52852912AA and 52852912AB
	#52852 913AB	1				ER0	DG6		Use Only with Oil Pan 52852912AB
		1				ED0	DG6		Use Only with Oil Pan 52852912AB
13		1				ER0	DG6		O RING, Trans Oil Filter
	6032 780	1				ED0	DG6		
14		1				ER0	DG6		SPRING, Accumulator
	4471 880	1				ED0	DG6		
15		1				ER0	DG6		SOLENOID, Transmission
	#4800 171AA	1				ED0	DG6		
16		1				ER0	DG6		SCREEN, Transmission Regulator Valve
	3878 313	1				ED0	DG6		
17		2				ER0	DG6		SEAL, Accumulator
	4446 544	2				ED0	DG6		
18		4				ER0	DG6		SCREW AND WASHER, Pan Head, M5x.8x25
	6500 215	4				ED0	DG6		
		24				ED0	DG6		

JEEP WRANGLER (TJ)

SERIES  
H = Sport  
L = SE  
M = X  
P = Sahara  
S = Rubicon

LINE  
J = Wrangler 4WD  
U = Wrangler 4WD (RHD)

BODY  
77 = 93.4 WB

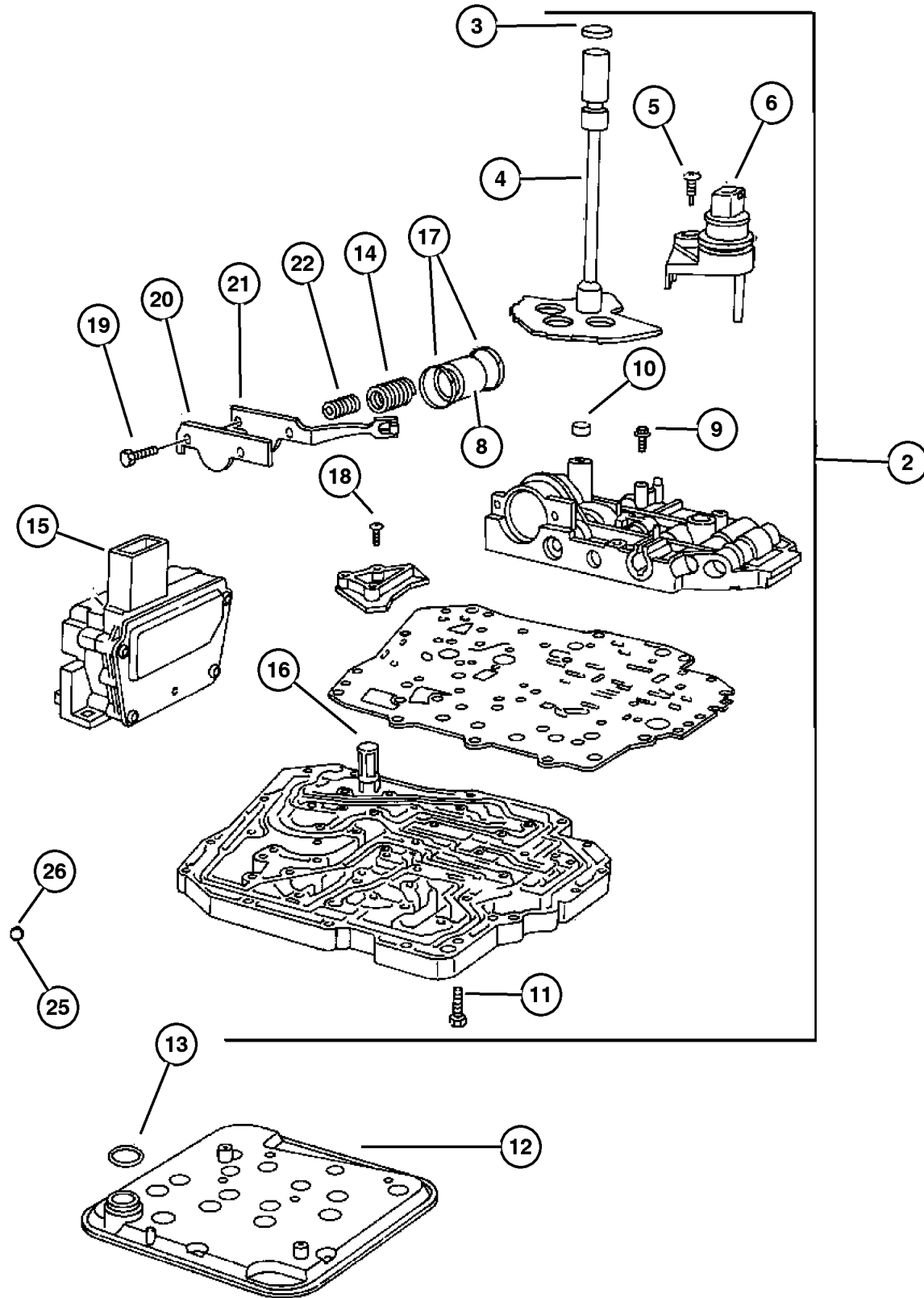
ENGINE  
ED1, ED0 = 2.4L DOHC  
ERH = 4.0L Power Tech

TRANSMISSION  
DGG, DGD = 32RH 3 Spd Auto  
DDD = 5 Speed HD Manual  
DG0 = Auto. Trans.  
DBB = Manual Trans.  
DDK = 5 Speed Manual

AR = Use as required - = Non illustrated part # = New this model year

September 29, 2003

Valve Body [DG6]  
Figure 42RLE-710



ITEM	PART NUMBER	QTY	LINE	SERIES	BODY	ENGINE	TRANS	TRIM	DESCRIPTION
19									SCREW, Pan Head, M5 x 0.8 x 12.60
	6503 232	7				ER0	DG6		
		7				ED0	DG6		
20									RETAINER, Transmission 2nd and 4th Accumulator Piston
	4431 711	1				ER0	DG6		
		1				ED0	DG6		
21									DETENT, Valve Body
	4431 710	1				ER0	DG6		
		1				ED0	DG6		
22									SPRING, Accumulator
	4471 880	1				ER0	DG6		
		1				ED0	DG6		
-23									DOWEL, M6x16
	6100 994	1				ER0	DG6		
		1				ED0	DG6		
-24									VALVE, Transmission Regulator
	4659 081	1				ER0	DG6		
		1				ED0	DG6		
25									BALL, Check
	4446 602	4				ER0	DG6		
		4				ED0	DG6		
	5211 8261	4				ER0	DG6		Small
		4				ED0	DG6		Small
26									BALL, Valve Body Check Cooler Bypass
	0104 918	1				ER0	DG6		
		1				ED0	DG6		Cooler Bypass

JEEP WRANGLER (TJ)

SERIES  
H = Sport  
L = SE  
M = X  
P = Sahara  
S = Rubicon

LINE  
J = Wrangler 4WD  
U = Wrangler 4WD (RHD)

BODY  
77 = 93.4 WB

ENGINE  
ED1, ED0 = 2.4L DOHC  
ERH = 4.0L Power Tech

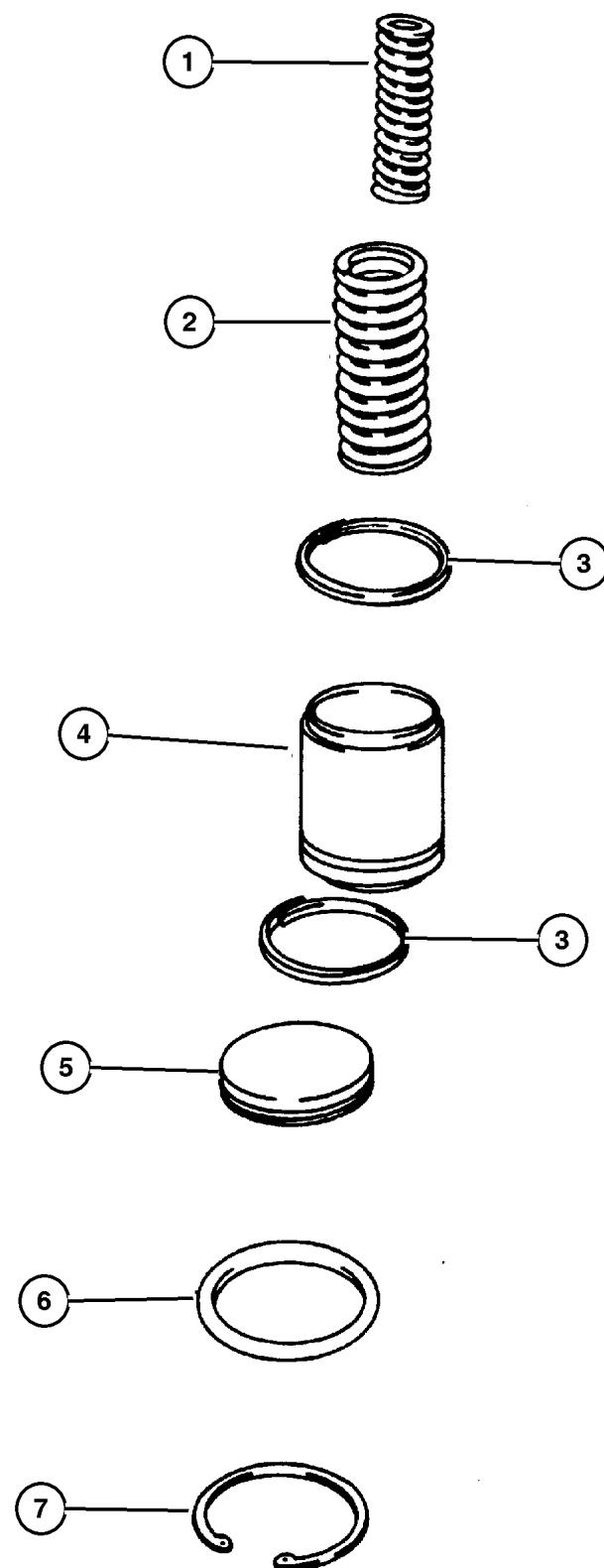
TRANSMISSION  
DGG, DGD = 32RH 3 Spd Auto  
DDD = 5 Speed HD Manual  
DG0 = Auto. Trans.  
DBB = Manual Trans.  
DDK = 5 Speed Manual

AR = Use as required - = Non illustrated part # = New this model year

September 29, 2003



## Accumulator Piston & Springs [DG6] Figure 42RLE-720



ITEM	PART NUMBER	QTY	LINE	SERIES	BODY	ENGINE	TRANS	TRIM	DESCRIPTION
NOTE:									
Sales Codes:									
[DG6]=4 Speed Automatic Transmission - 42RLE									
[ED0]=All 2.4L 4 Cyl. Engines									
[ER0]=All 4.0L Inline 6 Engines									
1	4567 575	1				ER0	DG6		SPRING, Accumulator
		1				ED0	DG6		
2	4471 880	1				ER0	DG6		SPRING, Accumulator
	4659 124	1				ED0	DG6		After 5/16/2002
		1				ED0	DG6		Up to 5/16/2002
3	4446 544	2				ER0	DG6		SEAL, Accumulator
		2				ED0	DG6		
4	4446 620	1				ER0	DG6		PISTON, 2nd and 4th Accumulator
		1				ED0	DG6		
5	4431 617	1				ER0	DG6		COVER, Accumulator
		1				ED0	DG6		
6	6501 549	1				ER0	DG6		O RING, Accumulator, Transmission
		1				ED0	DG6		
7	6501 695	1				ER0	DG6		SNAP RING
		1				ED0	DG6		

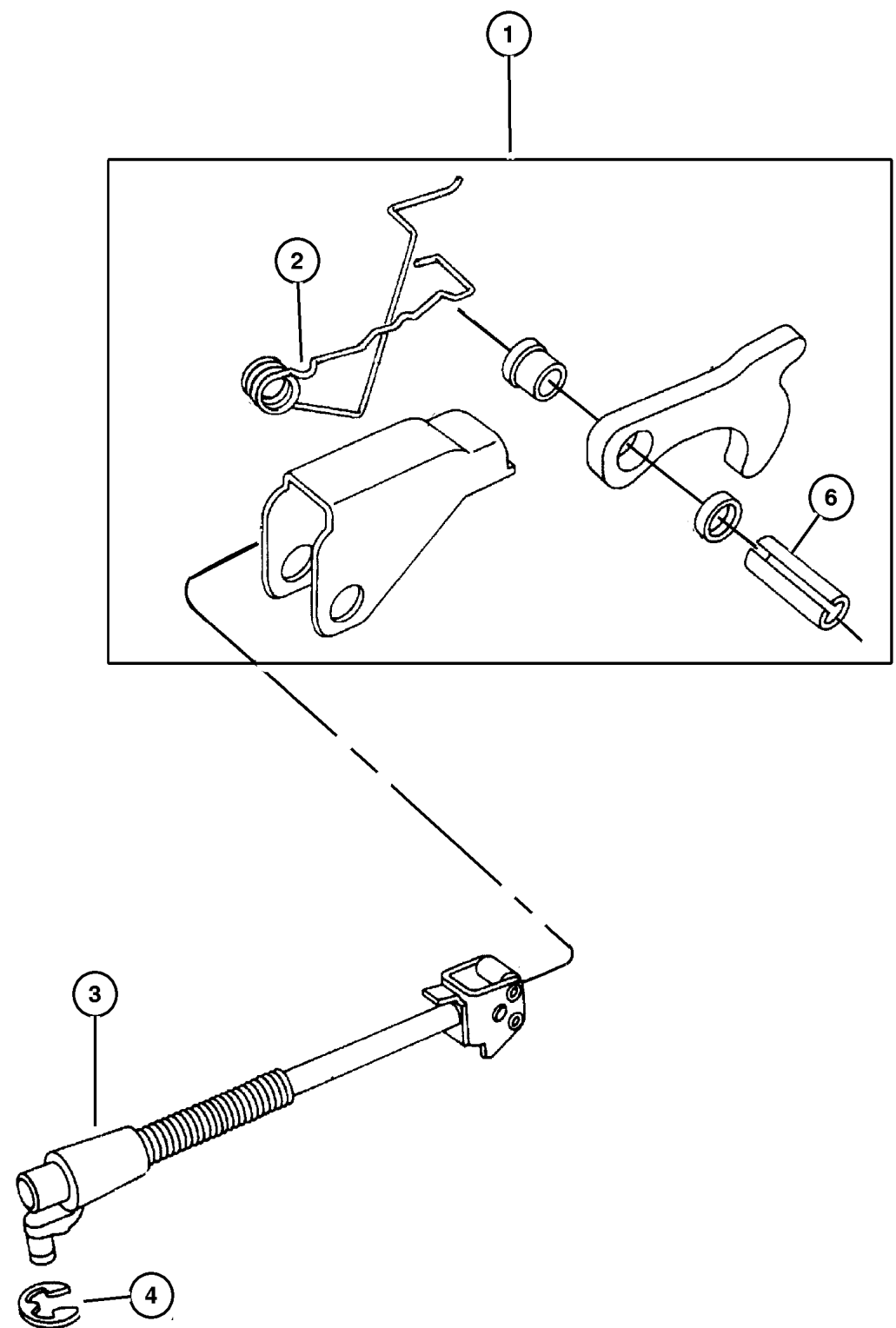
### JEEP WRANGLER (TJ)

SERIES	LINE	BODY	ENGINE	TRANSMISSION
H = Sport	J = Wrangler 4WD	77 = 93.4 WB	ED1, ED0 = 2.4L DOHC	DGG, DGD = 32RH 3 Spd Auto
L = SE	U = Wrangler 4WD (RHD)		ERH = 4.0L Power Tech	DDD = 5 Speed HD Manual
M = X				DG0 = Auto. Trans.
P = Sahara				DBB = Manual Trans.
S = Rubicon				DDK = 5 Speed Manual

AR = Use as required - = Non illustrated part # = New this model year

September 29, 2003

**Parking Sprag [DG6]  
Figure 42RLE-730**



ITEM	PART NUMBER	QTY	LINE	SERIES	BODY	ENGINE	TRANS	TRIM	DESCRIPTION
<b>NOTES:</b>									
Sales Codes									
[DG6]= 4 Speed Automatic Transmission [42RLE]									
[ED0]= All 2.2,2.4,2.5. 4 Cylinder Gas Engines									
[ER0]=All 4.0 6 Cylinder Gas Engines									
1									GUIDE PACKAGE, Parking Sprag Pawl
	4883 505AA	1				ER0	DG6		
		1				ED0	DG6		
2									SPRING, Parking Sprag Return
	4431 653	1				ER0	DG6		
		1				ED0	DG6		
3									ROD, Parking Sprag
	4431 634	1				ER0	DG6		Up to 1/28/2003
		1				ED0	DG6		Up to 1/28/2003
	#52852 956AA	1				ER0	DG6		After 1/28/2003
		1				ED0	DG6		After 1/28/2003
4									SNAP RING, Rod
	6035 256	1				ER0	DG6		
		1				ED0	DG6		
-5									SCREW AND WASHER, Park Sprag Shaft, M5X0.8X12
	6503 384	1				ER0	DG6		
		1				ED0	DG6		
6									SHAFT, Parking Sprag
	4431 999	1				ER0	DG6		
		1				ED0	DG6		
-7									BRACKET, Parking Sprag
	#52852 948AA	1				ER0	DG6		
		1				ED0	DG6		

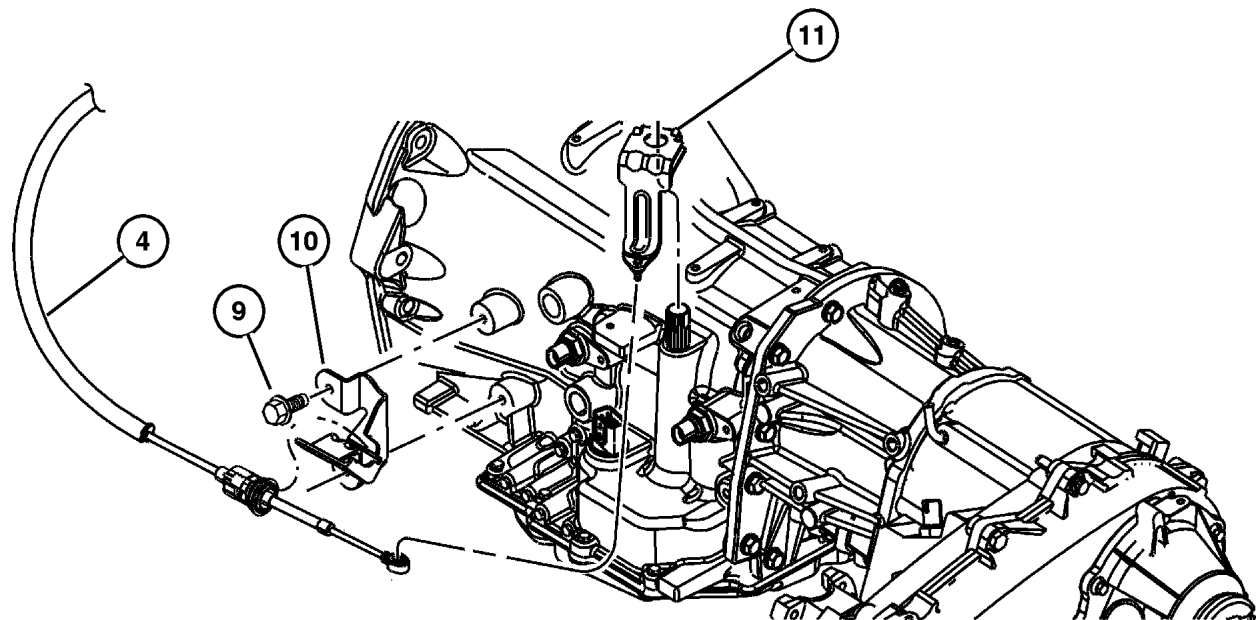
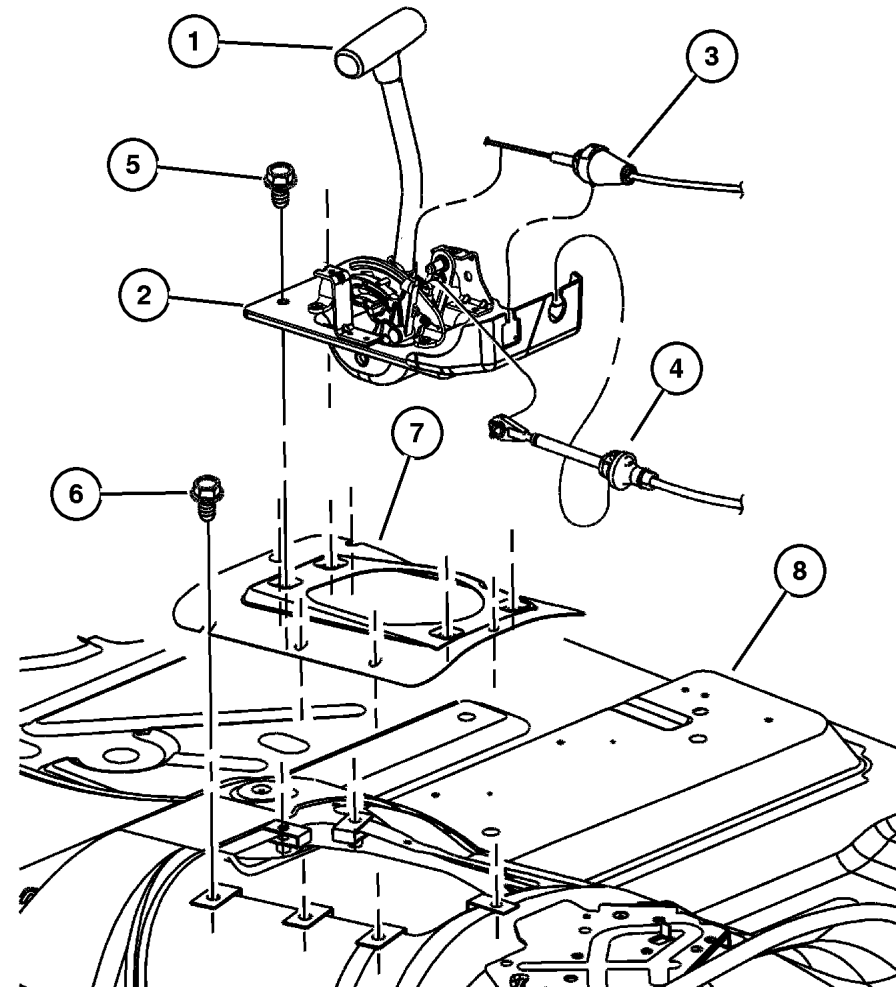
**JEEP WRANGLER (TJ)**

SERIES	LINE	BODY	ENGINE	TRANSMISSION
H = Sport	J = Wrangler 4WD	77 = 93.4 WB	ED1, ED0 = 2.4L DOHC	DGG, DGD = 32RH 3 Spd Auto
L = SE	U = Wrangler 4WD (RHD)		ERH = 4.0L Power Tech	DDD = 5 Speed HD Manual
M = X				DG0 = Auto. Trans.
P = Sahara				DBB = Manual Trans.
S = Rubicon				DDK = 5 Speed Manual

AR = Use as required - = Non illustrated part # = New this model year

September 29, 2003

**Gearshift Controls [DG6]  
Figure 42RLE-1210**



ITEM	PART NUMBER	QTY	LINE	SERIES	BODY	ENGINE	TRANS	TRIM	DESCRIPTION
<b>NOTE:</b>									
Sales Codes:									
[DG6]=4 Speed Automatic Transmission - 42RLE									
[ED0]=All 2.4L 4 Cyl. Engines									
[ER0]=All 4.0L Inline 6 Engines									
1	5210 4028	1					DG0		HANDLE, Gearshift
2	#52078 551AD	1					DG6		HOUSING, Shift Lever
3	#52104 422AB	1					DG6		CABLE, Park Interlock
4	#52109 624AB	1					DG6		CABLE, Shift
5	6501 648	4					DG0		SCREW, Hex Flange Head, M8x1.25x25.00
6	6506 348AA	6					DG0		SCREW AND WASHER, Hex Head, M6x1x25
7	#53000 704AC	1					DG6		COVER, Gearshift
8									PAN, Floor, See Sheet Metal Group, (NOT SERVICED) (Not Serviced)
9	6101 767	2					DG0		SCREW AND WASHER, M8x1.25x25
10	#52109 623AB	1					DG0		BRACKET, Shift Cable
11	#52109 622AB	1					DG6		LEVER, Manual Control

**JEEP WRANGLER (TJ)**

<b>SERIES</b>	<b>LINE</b>	<b>BODY</b>	<b>ENGINE</b>	<b>TRANSMISSION</b>
H = Sport	J = Wrangler 4WD	77 = 93.4 WB	ED1, ED0 = 2.4L DOHC	DGG, DGD = 32RH 3 Spd Auto
L = SE	U = Wrangler 4WD (RHD)		ERH = 4.0L Power Tech	DDD = 5 Speed HD Manual
M = X				DG0 = Auto. Trans.
P = Sahara				DBB = Manual Trans.
S = Rubicon				DDK = 5 Speed Manual

AR = Use as required - = Non illustrated part # = New this model year

September 29, 2003

# Group – 3550

## Manual Transmission 5 Speed

### GROUP 3550 - Manual Transmission 5 Speed

Illustration Title

Group-Fig. No.

#### Transmission Assembly

Transmission (DDD) ..... Fig. 3550-110

#### Case and Extension

Case and Extension (DDD) ..... Fig. 3550-210

#### Gear Train

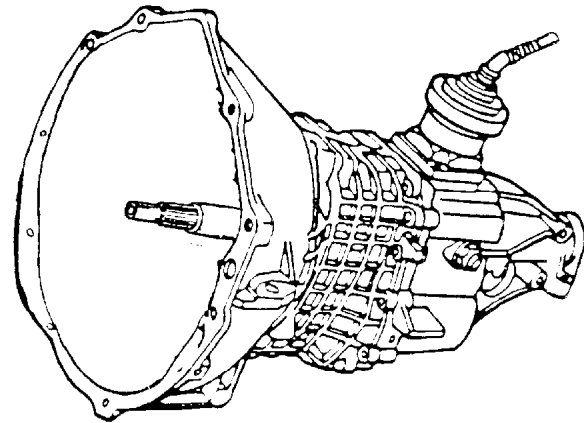
Gear Train (DDD) ..... Fig. 3550-410

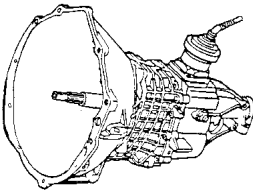
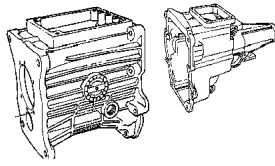
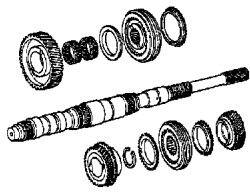
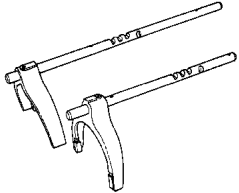

#### Fork and Rails

Fork and Rails (DDD) ..... Fig. 3550-910

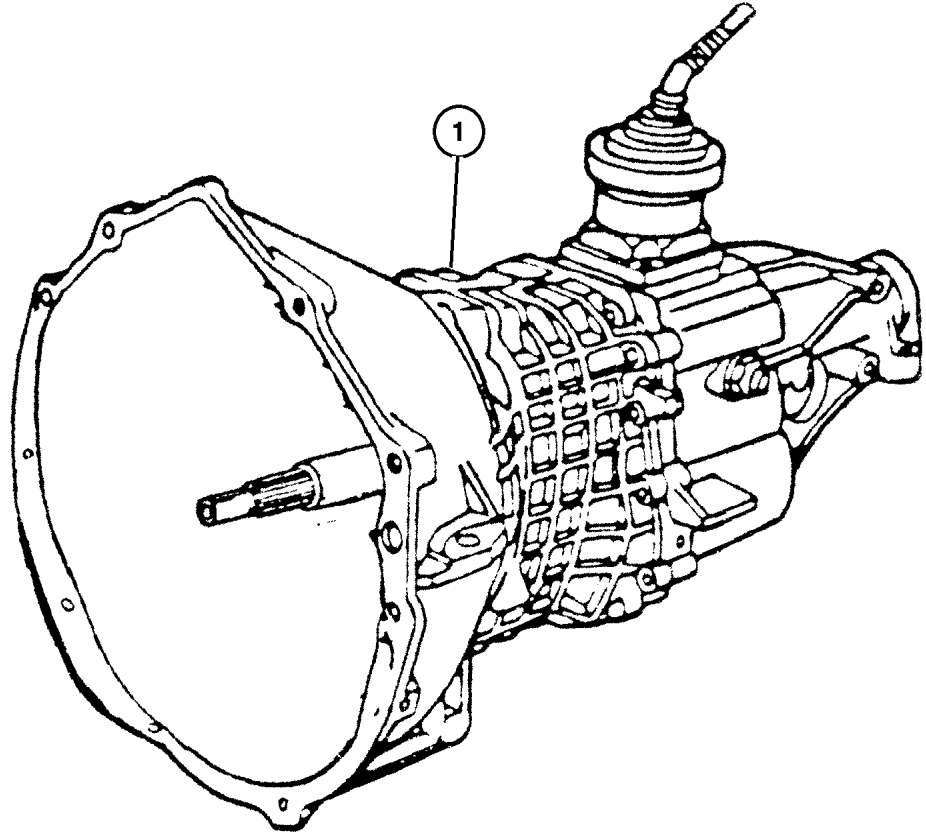
#### Gearshift Controls

Gearshift Controls (DDD) ..... Fig. 3550-1210



<p><b>3550-100</b> Transmission Assembly</p> 	<p><b>3550-200</b> Case and Extension</p> 	<p><b>3550-400</b> Gear Train</p> 	<p><b>3550-900</b> Fork and Rails</p> 
<p><b>3550-1200</b> Gearshift Controls</p> 			

Transmission (DDD)  
Figure 3550-110



ITEM	PART NUMBER	QTY	LINE	SERIES	BODY	ENGINE	TRANS	TRIM	DESCRIPTION
NOTE; Sales Code									
[DDD] = 5 Speed Heavy Duty Manual Transmission									
1									TRANSMISSION, 5 Speed
	#52104 388AD	1	U			ER0	DDD		
	#52104 678AA	1	J			ER0	DDD		

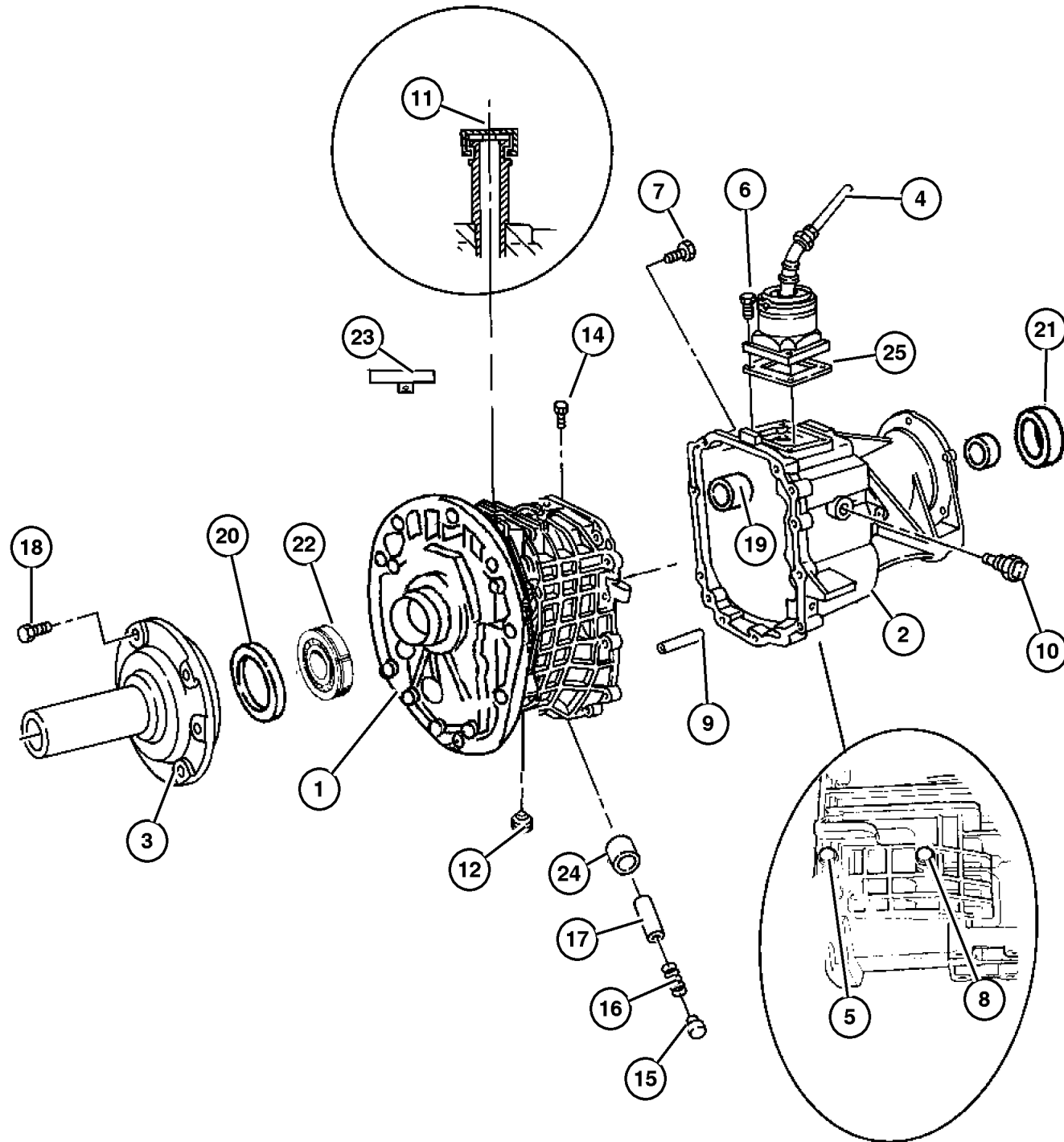
**JEEP WRANGLER (TJ)**

SERIES	LINE	BODY	ENGINE	TRANSMISSION
H = Sport	J = Wrangler 4WD	77 = 93.4 WB	ED1, ED0 = 2.4L DOHC	DGG, DGD = 32RH 3 Spd Auto
L = SE	U = Wrangler 4WD (RHD)		ERH = 4.0L Power Tech	DDD = 5 Speed HD Manual
M = X				DG0 = Auto. Trans.
P = Sahara				DBB = Manual Trans.
S = Rubicon				DDK = 5 Speed Manual

AR = Use as required - = Non illustrated part # = New this model year

September 29, 2003

Case and Extension (DDD)  
Figure 3550-210



ITEM	PART NUMBER	QTY	LINE	SERIES	BODY	ENGINE	TRANS	TRIM	DESCRIPTION
NOTE; Sales Code									
[DDD] = 5 Speed Heavy Duty Manual Transmission									
[ER0] = All 4.0 L 6 Cylinder Gas Engines									
1									CASE, Transmission
	#5096 102AA	1	J			ER0	DDD		
	#5096 101AA	1	U			ER0	DDD		
2									CASE, Transmission Rear
	5083 260AA	1	U			ER0	DDD		
		1	J			ER0	DDD		
3									RETAINER, Shaft
	5013 306AA	1	U			ER0	DDD		
		1	J			ER0	DDD		
4									LEVER, Gearshift
	#5086 544AA	1	U			ER0	DDD		
		1	J			ER0	DDD		
5									BOLT, M8-1.25x70
	4741 313	1	U			ER0	DDD		
		1	J			ER0	DDD		
6									BOLT, Hex Head
	4741 144	1	U			ER0	DDD		
		1	J			ER0	DDD		
7									BOLT, Hex Head, M8x1.25x50, (NOT SERVICED) (Not Serviced)
8									BOLT, Hex
	4741 115	1	U			ER0	DDD		
		1	J			ER0	DDD		
9									PIN, Locating
	4741 122	2	U			ER0	DDD		
		2	J			ER0	DDD		
10									SWITCH, Back Up Lamp
	5600 7163	1	J			ER0	DDD		
		1	U			ER0	DDD		
11									VENT, Transmission
	5015 945AA	1	U			ER0	DDD		
		1	J			ER0	DDD		
12									PLUG, Oil Fill
	4882 280	1	J			ER0	DDD		
		1	U			ER0	DDD		
-13									PLUG, Oil Drain
	4740 903	1	J			ER0	DDD		
		1	U			ER0	DDD		
14									PIN, Detent

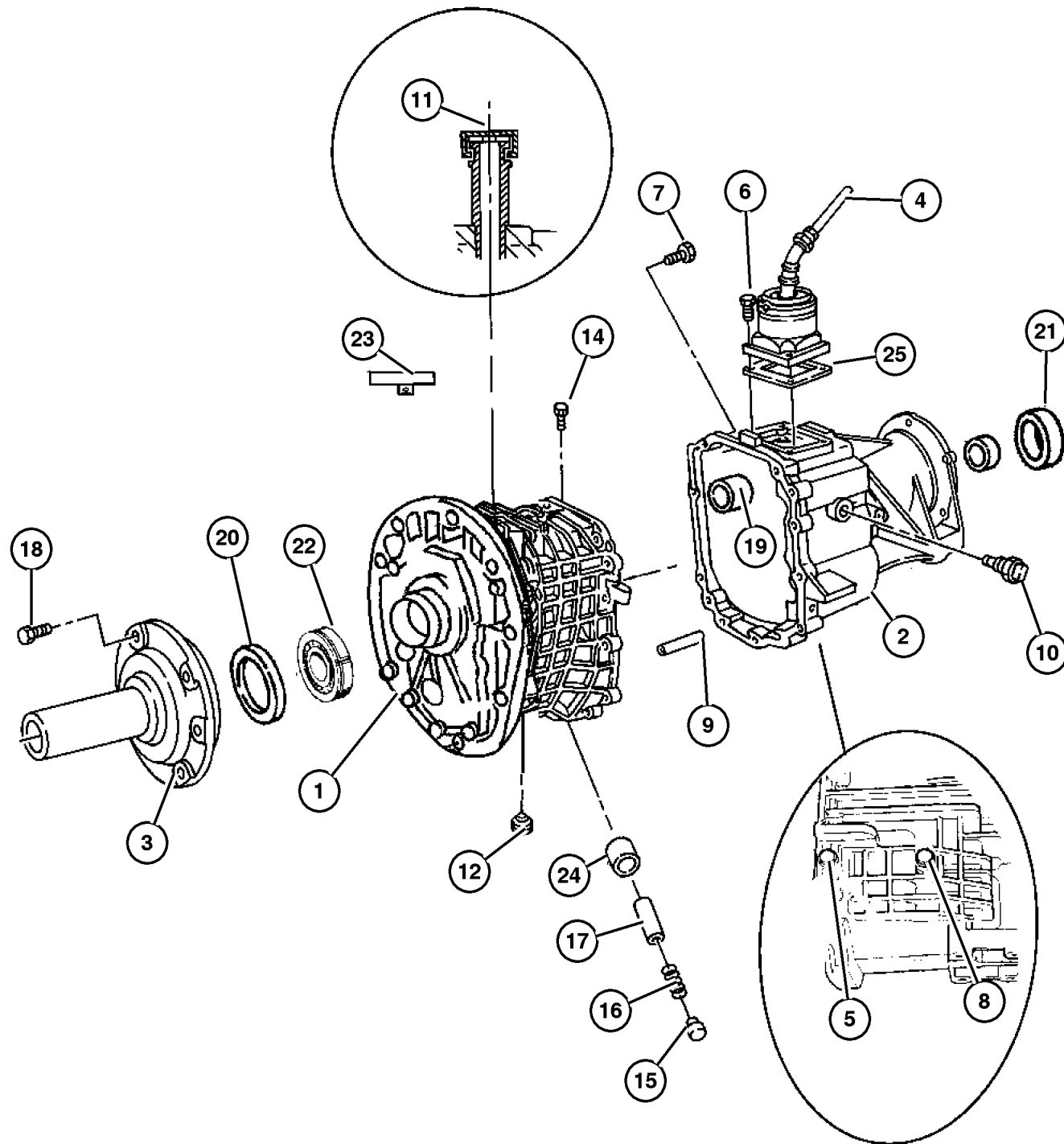
**JEEP WRANGLER (TJ)**

SERIES	LINE	BODY	ENGINE	TRANSMISSION
H = Sport	J = Wrangler 4WD	77 = 93.4 WB	ED1, ED0 = 2.4L DOHC	DGG, DGD = 32RH 3 Spd Auto
L = SE	U = Wrangler 4WD (RHD)		ERH = 4.0L Power Tech	DDD = 5 Speed HD Manual
M = X				DG0 = Auto. Trans.
P = Sahara				DBB = Manual Trans.
S = Rubicon				DDK = 5 Speed Manual

AR = Use as required - = Non illustrated part # = New this model year

September 29, 2003

Case and Extension (DDD)  
Figure 3550-210



ITEM	PART NUMBER	QTY	LINE	SERIES	BODY	ENGINE	TRANS	TRIM	DESCRIPTION
	5013 321AA	1	U			ER0	DDD		
		1	J			ER0	DDD		
15	4741 128	1	U			ER0	DDD		CAP, Detent
		1	J			ER0	DDD		
16	4773 182	1	U			ER0	DDD		SPRING, Shift Detent
		1	J			ER0	DDD		
17	5015 949AA	1	U			ER0	DDD		PLUNGER
		1	J			ER0	DDD		
18	4741 300	6	U			ER0	DDD		BOLT, Hex Head, M6x1.00x25
		6	J			ER0	DDD		
19	4741 112	1	U			ER0	DDD		BEARING, Ball
		1	J			ER0	DDD		
20	4741 296	1	U			ER0	DDD		SEAL, Input Shaft
		1	J			ER0	DDD		
21	4741 118	1	U			ER0	DDD		SEAL, Output Shaft
		1	J			ER0	DDD		
22	4874 174	1	U			ER0	DDD		BEARING, Input Shaft
		1	J			ER0	DDD		
23	5015 945AA	1	J			ER0	DDD		VENT, Transmission
24	5012 337AA	1	U			ER0	DDD		BUSHING, Transmission
25	4886 153AA	1	U			ER0	DDD		SEAL, Shift Lever
		1	J			ER0	DDD		

JEEP WRANGLER (TJ)

SERIES  
H = Sport  
L = SE  
M = X  
P = Sahara  
S = Rubicon

LINE  
J = Wrangler 4WD  
U = Wrangler 4WD (RHD)

BODY  
77 = 93.4 WB

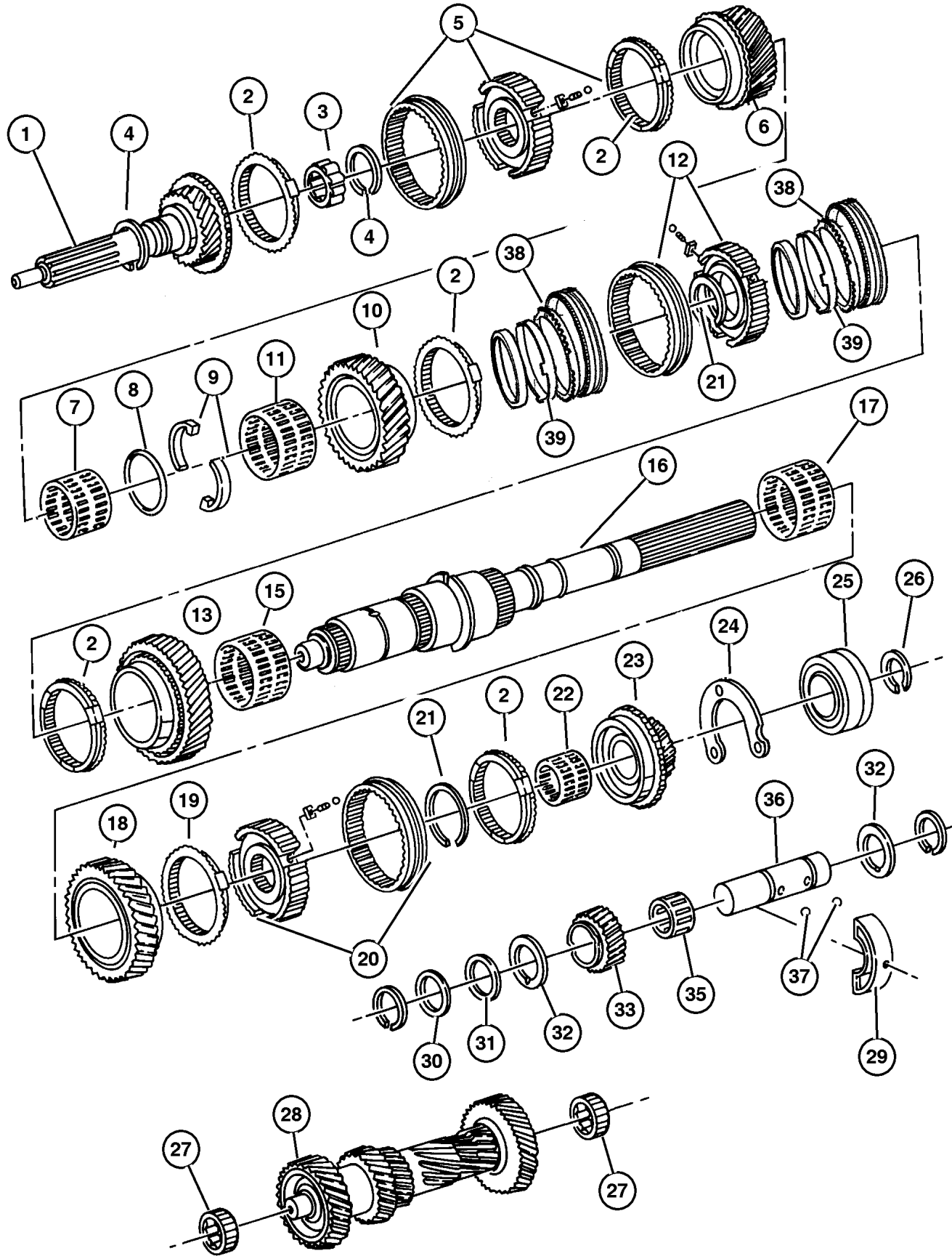
ENGINE  
ED1, ED0 = 2.4L DOHC  
ERH = 4.0L Power Tech

TRANSMISSION  
DGG, DGD = 32RH 3 Spd Auto  
DDD = 5 Speed HD Manual  
DGO = Auto. Trans.  
DBB = Manual Trans.  
DDK = 5 Speed Manual

AR = Use as required - = Non illustrated part # = New this model year

September 29, 2003

**Gear Train (DDD)  
Figure 3550-410**



ITEM	PART NUMBER	QTY	LINE	SERIES	BODY	ENGINE	TRANS	TRIM	DESCRIPTION
NOTE; Sales Code									
[DDD] = 5 Speed Heavy Duty Manual Transmission									
[ER0] = All 4.0 L 6 Cylinder Gas Engines									
1	5019 723AA	1	U			ER0	DDD		SHAFT, Input
2	4741 277	1	J			ER0	DDD		STOP RING, Synchronizer
		1	J			ER0	DDD		
3	4741 878	1	U			ER0	DDD		NEEDLE BEARING, Input Shaft
		1	J			ER0	DDD		
4	4741 266	2	J			ER0	DDD		SNAP RING, Output Shaft Bearing
		1	U			ER0	DDD		
5	4741 293AB	1	U			ER0	DDD		SYNCHRONIZER, Third and Fourth
		1	J			ER0	DDD		
6	4883 718AB	1	U			ER0	DDD		GEAR, Third
		1	J			ER0	DDD		
7	4741 874	1	U			ER0	DDD		NEEDLE BEARING, Third Gear
		1	J			ER0	DDD		
8	4897 922AA	1	U			ER0	DDD		SNAP RING
		1	J			ER0	DDD		
9	5019 721AA	1	U			ER0	DDD		WASHER, Output Shaft
		1	J			ER0	DDD		
10	4874 358AB	1	U			ER0	DDD		GEAR, Second
		1	J			ER0	DDD		
11	5003 039AA	1	U			ER0	DDD		NEEDLE BEARING, Second Gear
		1	J			ER0	DDD		
12	4874 356AB	1	U			ER0	DDD		SYNCHRONIZER, First and Second
		1	J			ER0	DDD		
13	4874 355AB	1	U			ER0	DDD		GEAR, First
		1	J			ER0	DDD		

**JEEP WRANGLER (TJ)**

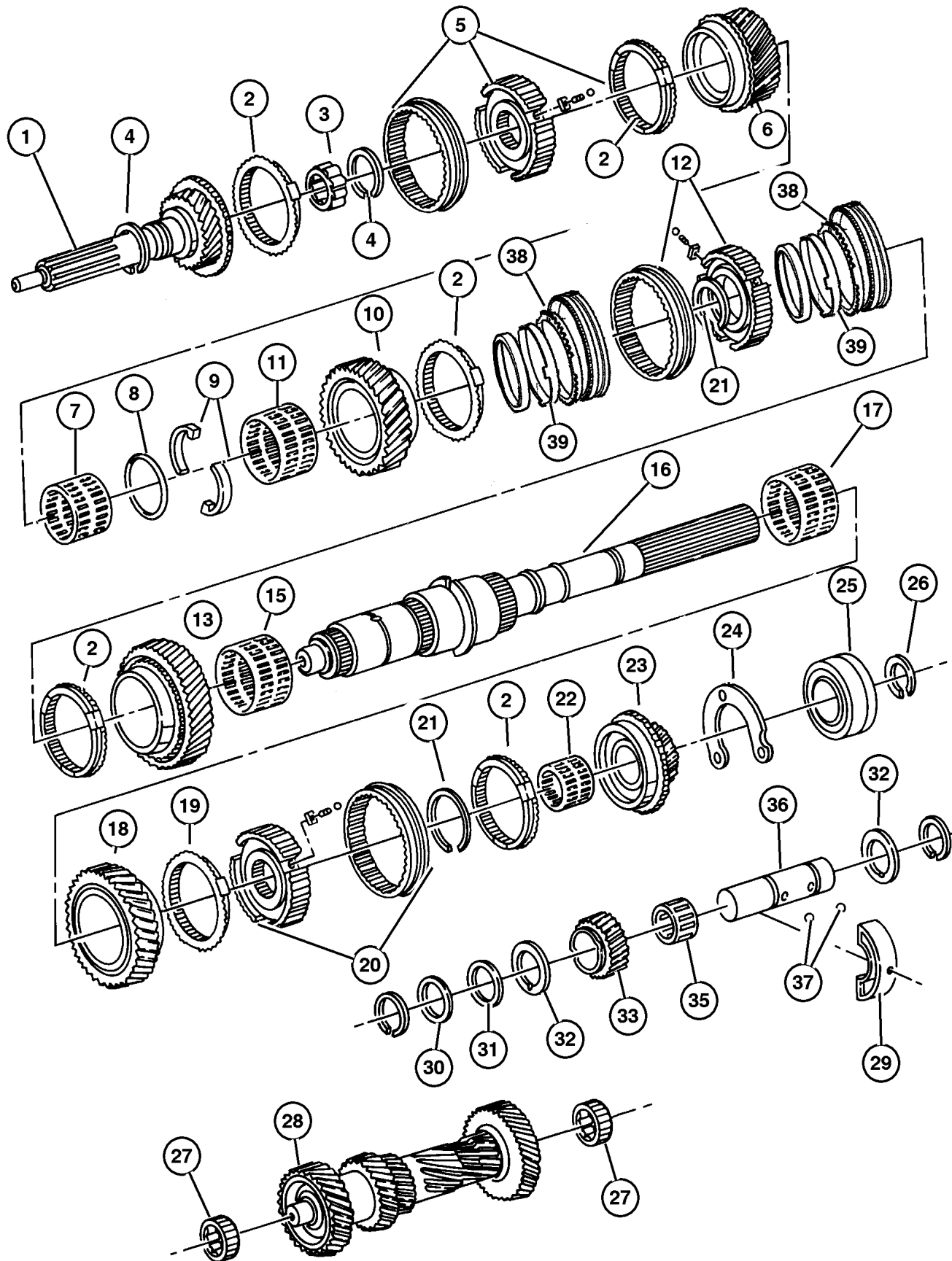
SERIES	LINE	BODY	ENGINE	TRANSMISSION
H = Sport	J = Wrangler 4WD	77 = 93.4 WB	ED1, ED0 = 2.4L DOHC	DGG, DGD = 32RH 3 Spd Auto
L = SE	U = Wrangler 4WD (RHD)		ERH = 4.0L Power Tech	DDD = 5 Speed HD Manual
M = X				DG0 = Auto. Trans.
P = Sahara				DBB = Manual Trans.
S = Rubicon				DDK = 5 Speed Manual

AR = Use as required - = Non illustrated part # = New this model year

September 29, 2003



**Gear Train (DDD)  
Figure 3550-410**



ITEM	PART NUMBER	QTY	LINE	SERIES	BODY	ENGINE	TRANS	TRIM	DESCRIPTION
-14		1	J			ER0	DDD		BEARING, First Gear
	4874 353	1	U			ER0	DDD		
		1	J			ER0	DDD		
15		1	U			ER0	DDD		NEEDLE BEARING, Transmission
	4741 871	1	J			ER0	DDD		
16		1	U			ER0	DDD		SHAFT, Output
	4874 309	1	J			ER0	DDD		
17		1	U			ER0	DDD		NEEDLE BEARING, Transmission
	4741 871	1	J			ER0	DDD		
18		1	U			ER0	DDD		GEAR, Reverse
	5019 029AA	1	J			ER0	DDD		
19		1	U			ER0	DDD		STOP RING, Synchronizer
	4741 285	1	J			ER0	DDD		
20		1	U			ER0	DDD		SYNCHRONIZER, Fifth And Reverse
	4741 278AB	1	J			ER0	DDD		
21		1	U			ER0	DDD		RING, Transmission
	4741 805	1	J			ER0	DDD		
22		1	U			ER0	DDD		BEARING, Needle
	4741 273	1	J			ER0	DDD		
23		1	U			ER0	DDD		GEAR, Fifth
	5069 040AA	1	J			ER0	DDD		
24		1	U			ER0	DDD		RETAINER, Transmission Output Shaft Bearing
	4741 114	1	J			ER0	DDD		
25		1	U			ER0	DDD		BEARING, Output Shaft
	#4741 866AB	1	J			ER0	DDD		
26		2	U			ER0	DDD		SNAP RING, Output Shaft Bearing
	4741 266	2	J			ER0	DDD		
27									BEARING, Countershaft

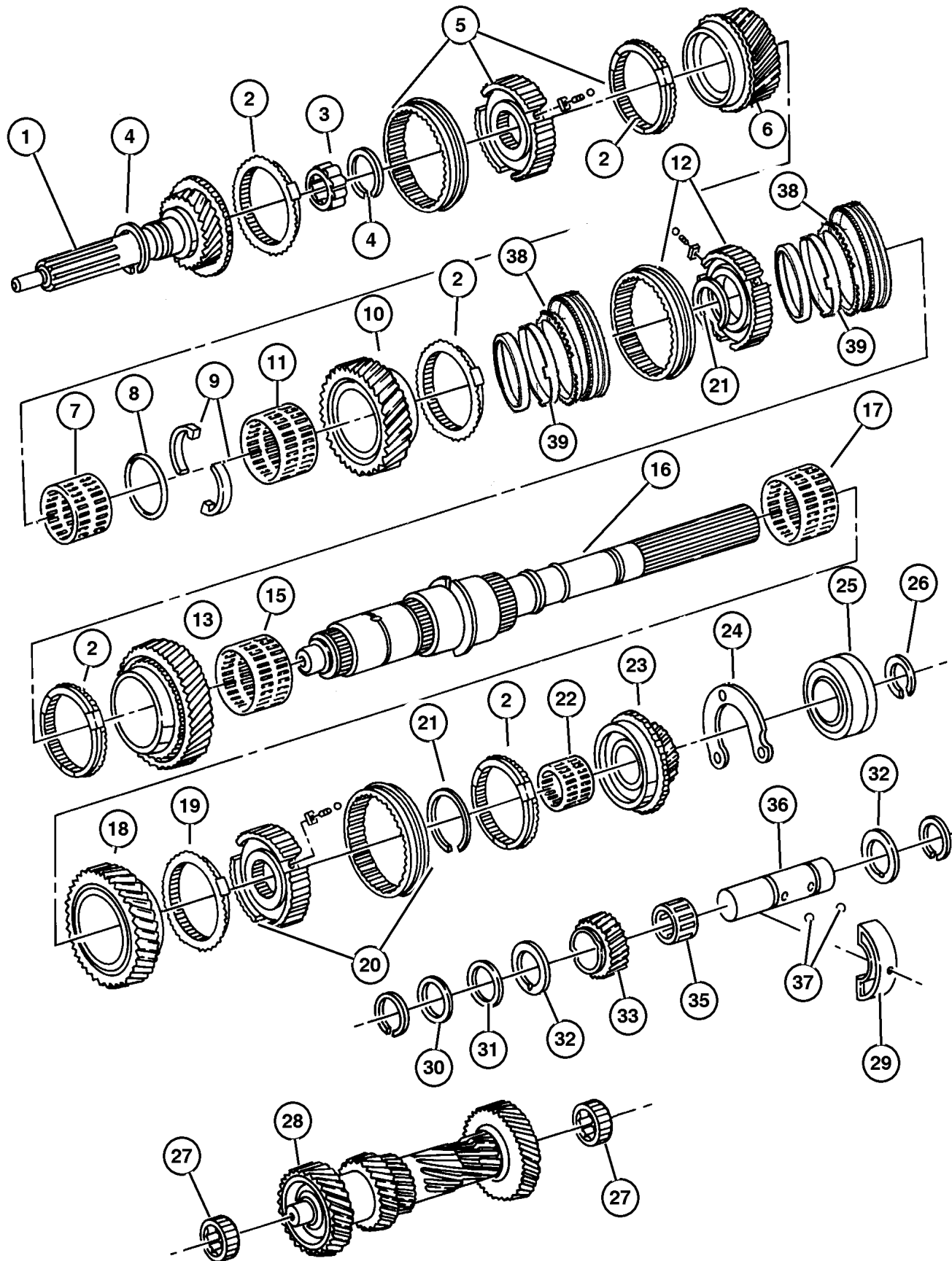
**JEEP WRANGLER (TJ)**

<b>SERIES</b>	<b>LINE</b>	<b>BODY</b>	<b>ENGINE</b>	<b>TRANSMISSION</b>
H = Sport	J = Wrangler 4WD	77 = 93.4 WB	ED1, ED0 = 2.4L DOHC	DGG, DGD = 32RH 3 Spd Auto
L = SE	U = Wrangler 4WD (RHD)		ERH = 4.0L Power Tech	DDD = 5 Speed HD Manual
M = X				DG0 = Auto. Trans.
P = Sahara				DBB = Manual Trans.
S = Rubicon				DDK = 5 Speed Manual

AR = Use as required - = Non illustrated part # = New this model year

September 29, 2003

**Gear Train (DDD)  
Figure 3550-410**



ITEM	PART NUMBER	QTY	LINE	SERIES	BODY	ENGINE	TRANS	TRIM	DESCRIPTION
	5066 646AA	2	U			ER0	DDD		
		2	J			ER0	DDD		
28	5066 650AA	1	U			ER0	DDD		SHAFT, Counter
		1	J			ER0	DDD		
29									SUPPORT, Segment Idler Shaft
	4741 312	1	U			ER0	DDD		
		1	J			ER0	DDD		
30									WASHER, Flat
	4741 310	1	U			ER0	DDD		
		1	J			ER0	DDD		
31									WASHER, Idler Gear
	4741 309	1	U			ER0	DDD		
		1	J			ER0	DDD		
32									THRUST WASHER, Reverse Idler
	4741 307	2	U			ER0	DDD		
		2	J			ER0	DDD		
33									GEAR, Reverse Idler
	5066 651AA	1	U			ER0	DDD		
		1	J			ER0	DDD		
-34									SNAP RING PACKAGE, Transmission
	4741 807	1	U			ER0	DDD		
		1	J			ER0	DDD		
35									BEARING, Idler
	4874 359	1	U			ER0	DDD		
		1	J			ER0	DDD		
36									IDLER SHAFT, Transmission
	4741 303	1	U			ER0	DDD		
		1	J			ER0	DDD		
37									BALL, Check, 4 mm
	4741 891	2	U			ER0	DDD		
		2	J			ER0	DDD		
38									RING, Synchronizer Blocker
	4874 363	2	U			ER0	DDD		
		2	J			ER0	DDD		
39									CONE, Synchronizer
	4874 405	2	U			ER0	DDD		
		2	J			ER0	DDD		
-40									RING
	4874 403	2	U			ER0	DDD		

**JEEP WRANGLER (TJ)**

SERIES  
H = Sport  
L = SE  
M = X  
P = Sahara  
S = Rubicon

LINE  
J = Wrangler 4WD  
U = Wrangler 4WD (RHD)

BODY  
77 = 93.4 WB

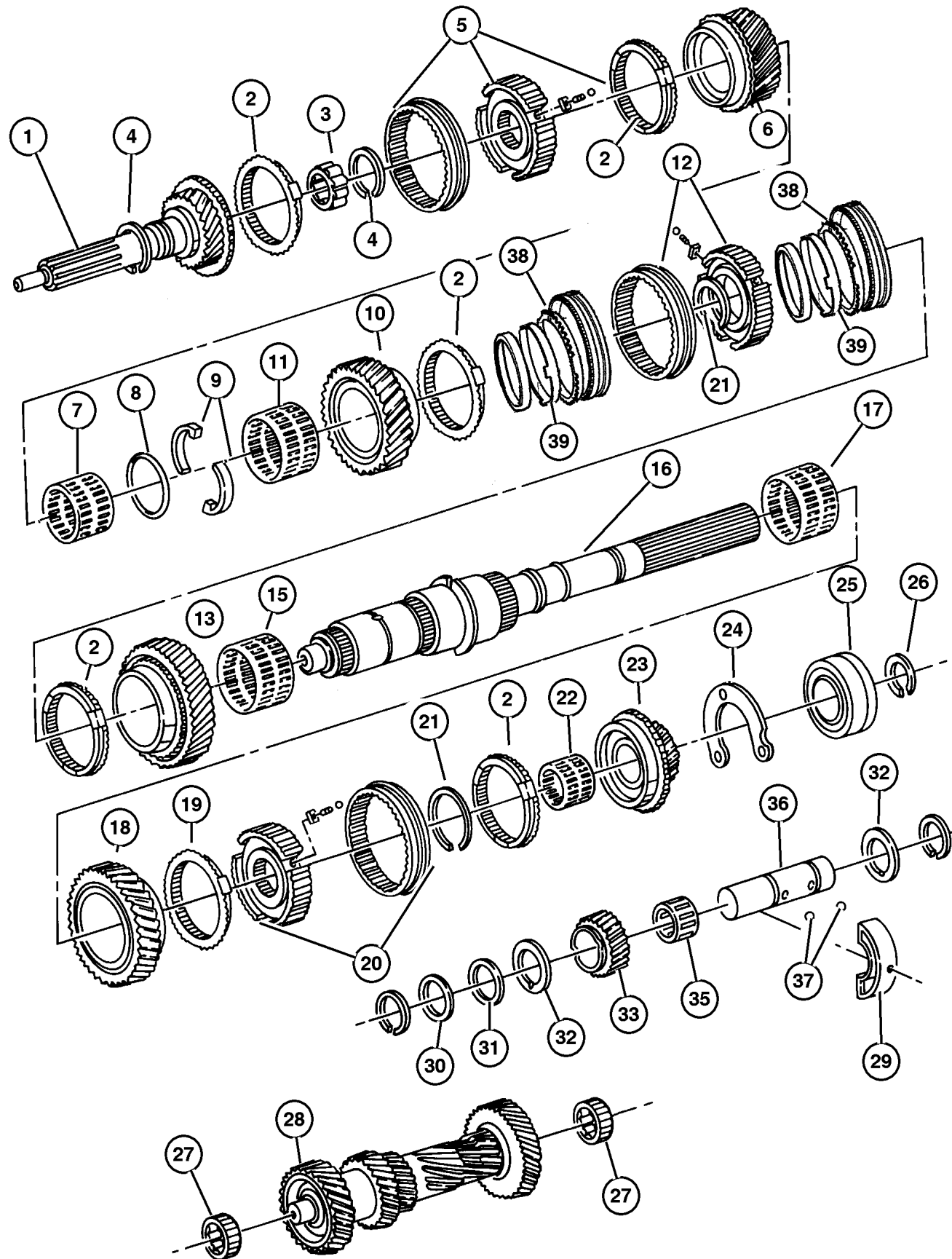
ENGINE  
ED1, ED0 = 2.4L DOHC  
ERH = 4.0L Power Tech

TRANSMISSION  
DGG, DGD = 32RH 3 Spd Auto  
DDD = 5 Speed HD Manual  
DGO = Auto. Trans.  
DBB = Manual Trans.  
DDK = 5 Speed Manual

AR = Use as required - = Non illustrated part # = New this model year

September 29, 2003

**Gear Train (DDD)  
Figure 3550-410**



ITEM	PART NUMBER	QTY	LINE	SERIES	BODY	ENGINE	TRANS	TRIM	DESCRIPTION
		2	J			ER0	DDD		
-41	4874 404	2	U			ER0	DDD		RING
		2	J			ER0	DDD		
-42	4741 311	2	U			ER0	DDD		SNAP RING
-43	5015 943AA	1	U			ER0	DDD		PLATE, Retaining
		1	J			ER0	DDD		
-44	5015 942AA	1	U			ER0	DDD		CAM, Reverse Block
		1	J			ER0	DDD		
-45	5015 944AA	1	U			ER0	DDD		SCREW, Hex Flange Head
		1	J			ER0	DDD		

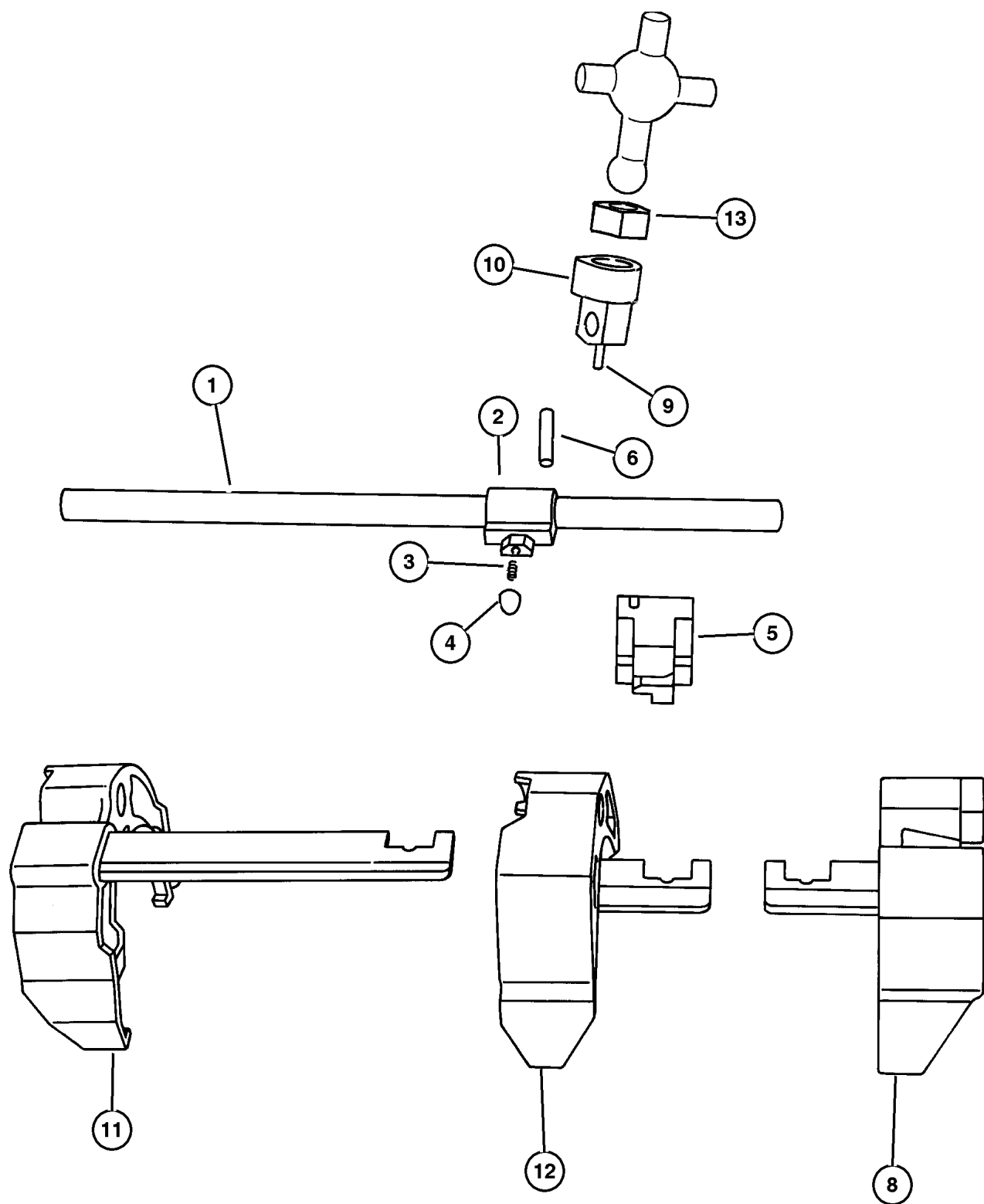
**JEEP WRANGLER (TJ)**

SERIES	LINE	BODY	ENGINE	TRANSMISSION
H = Sport	J = Wrangler 4WD	77 = 93.4 WB	ED1, ED0 = 2.4L DOHC	DGG, DGD = 32RH 3 Spd Auto
L = SE	U = Wrangler 4WD (RHD)		ERH = 4.0L Power Tech	DDD = 5 Speed HD Manual
M = X				DG0 = Auto. Trans.
P = Sahara				DBB = Manual Trans.
S = Rubicon				DDK = 5 Speed Manual

AR = Use as required - = Non illustrated part # = New this model year

September 29, 2003

Fork and Rails (DDD)  
Figure 3550-910



ITEM	PART NUMBER	QTY	LINE	SERIES	BODY	ENGINE	TRANS	TRIM	DESCRIPTION
NOTE; Sales Code									
[DDD] = 5 Speed Heavy Duty Manual Transmission									
[ER0] = All 4.0 L 6 Cylinder Gas Engines									
1	5015 951AA	1	U			ER0	DDD		SHAFT, Selector
2	5072 248AA	1	J			ER0	DDD		LEVER, Shift Shaft
			U			ER0	DDD		
3	4741 137	3	U			ER0	DDD		SPRING, Lever
			J			ER0	DDD		
4	5013 348AA	1	U			ER0	DDD		PLUNGER Shift Shaft Lever
			J			ER0	DDD		
5	5012 337AA	1	U			ER0	DDD		BUSHING, Transmission Shift Shaft Lever
			J			ER0	DDD		
6	5019 024AA	1	U			ER0	DDD		PIN Shift Fork Trac
			J			ER0	DDD		
-7	4740 904	1	J			ER0	DDD		PIN, Detent
			U			ER0	DDD		
8	5066 352AB	1	U			ER0	DDD		FORK, Third and Fourth
			J			ER0	DDD		
9	4741 139	1	U			ER0	DDD		PIN, Shift Shaft
			J			ER0	DDD		
10	4874 352	1	U			ER0	DDD		SOCKET, Shift Shaft
			J			ER0	DDD		
11	5083 104AA	1	U			ER0	DDD		FORK, Transmission
			J			ER0	DDD		
12	4886 077AB	1	U			ER0	DDD		FORK, First and Second
			J			ER0	DDD		
13	5012 020AA	1	U			ER0	DDD		ISOLATOR, Shift Lever

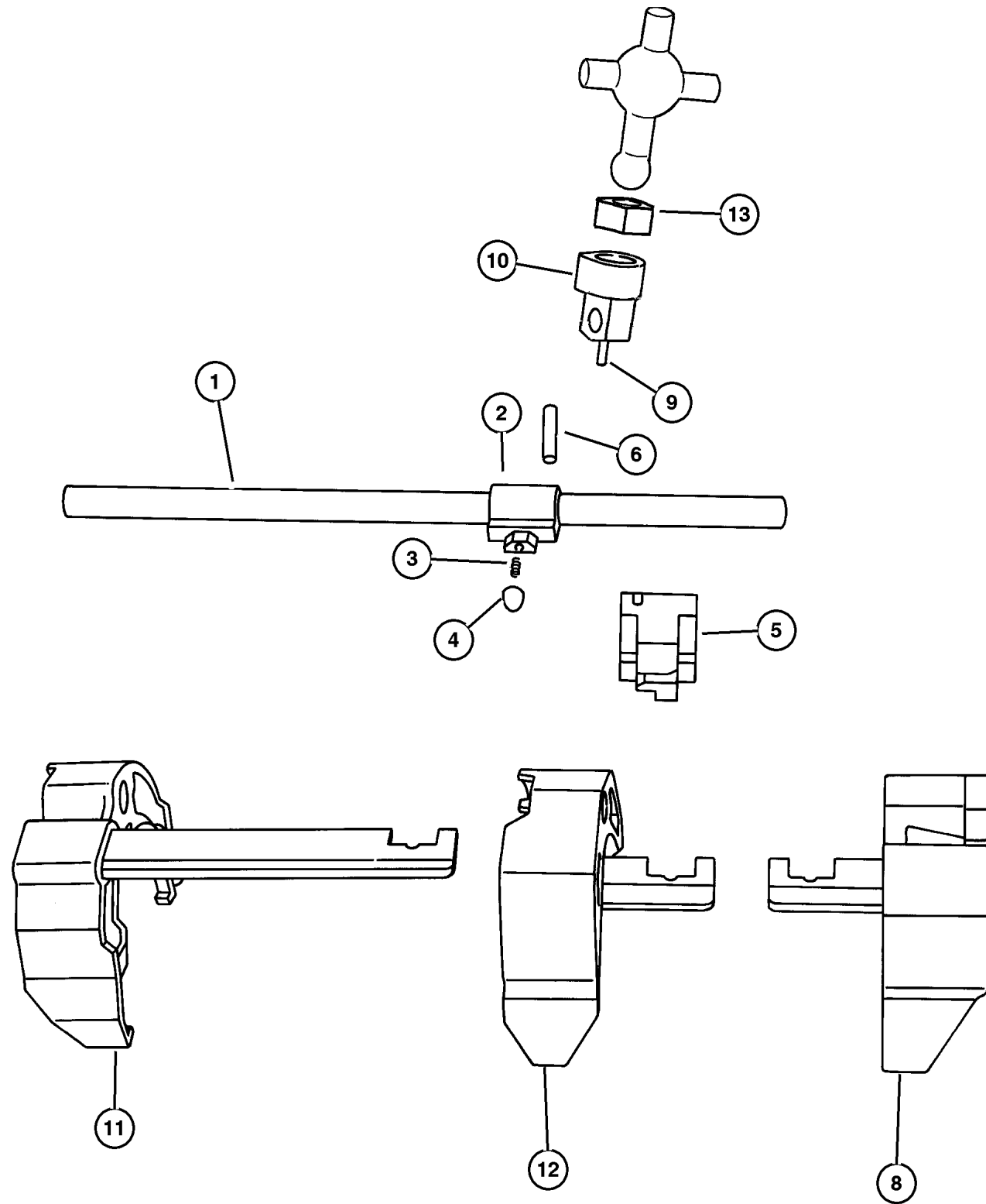
JEEP WRANGLER (TJ)

SERIES	LINE	BODY	ENGINE	TRANSMISSION
H = Sport	J = Wrangler 4WD	77 = 93.4 WB	ED1, ED0 = 2.4L DOHC	DGG, DGD = 32RH 3 Spd Auto
L = SE	U = Wrangler 4WD (RHD)		ERH = 4.0L Power Tech	DDD = 5 Speed HD Manual
M = X				DG0 = Auto. Trans.
P = Sahara				DBB = Manual Trans.
S = Rubicon				DDK = 5 Speed Manual

AR = Use as required - = Non illustrated part # = New this model year

September 29, 2003

Fork and Rails (DDD)  
Figure 3550-910



ITEM	PART NUMBER	QTY	LINE	SERIES	BODY	ENGINE	TRANS	TRIM	DESCRIPTION
------	-------------	-----	------	--------	------	--------	-------	------	-------------

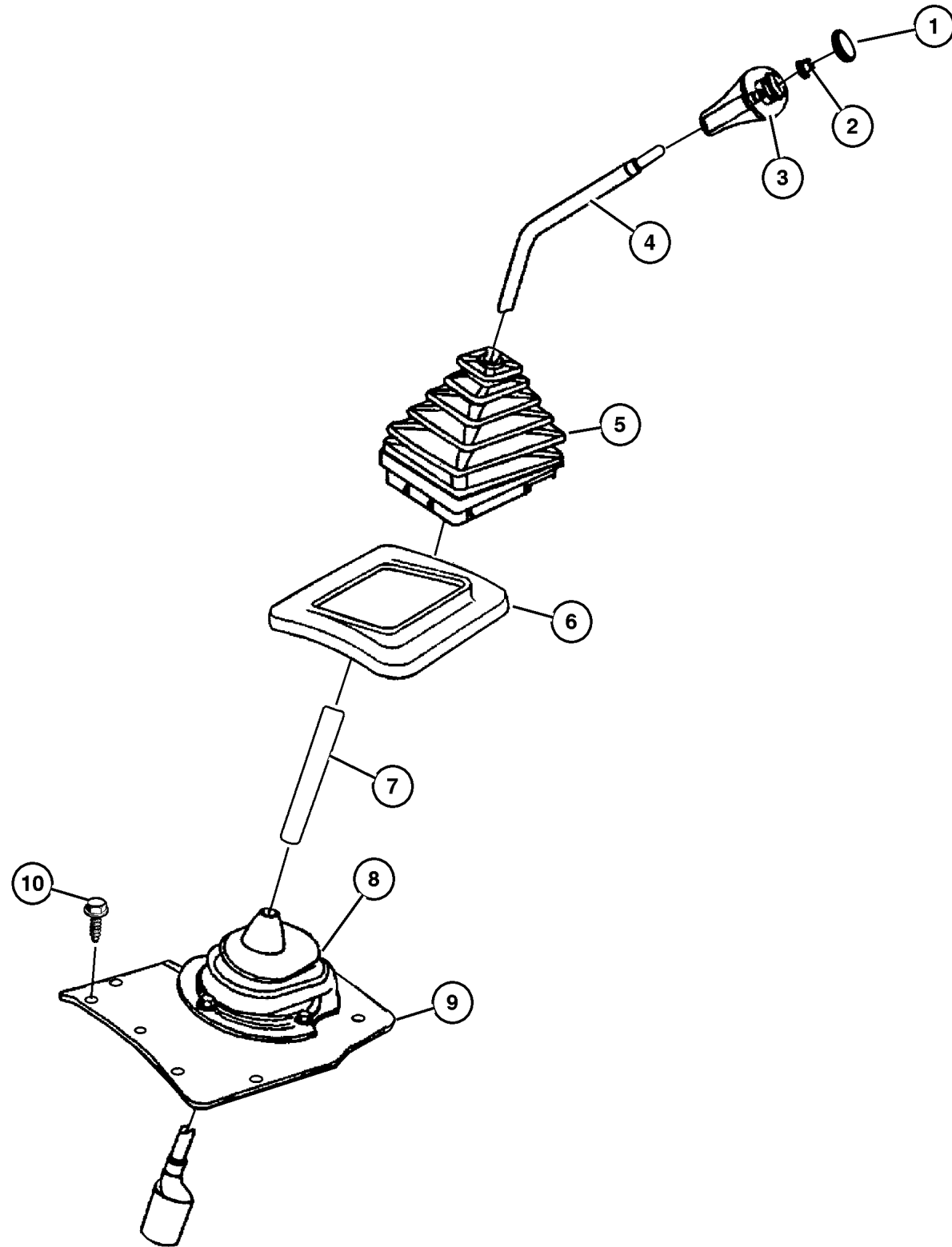
		1	J			ER0	DDD		
--	--	---	---	--	--	-----	-----	--	--

JEEP WRANGLER (TJ)				
SERIES	LINE	BODY	ENGINE	TRANSMISSION
H = Sport	J = Wrangler 4WD	77 = 93.4 WB	ED1, ED0 = 2.4L DOHC	DGG, DGD = 32RH 3 Spd Auto
L = SE	U = Wrangler 4WD (RHD)		ERH = 4.0L Power Tech	DDD = 5 Speed HD Manual
M = X				DG0 = Auto. Trans.
P = Sahara				DBB = Manual Trans.
S = Rubicon				DDK = 5 Speed Manual

AR = Use as required - = Non illustrated part # = New this model year

September 29, 2003

**Gearshift Controls (DDD)  
Figure 3550-1210**



ITEM	PART NUMBER	QTY	LINE	SERIES	BODY	ENGINE	TRANS	TRIM	DESCRIPTION
NOTE; Sales Code									
[DBB] = All Manual Transmissions									
1	4446 921	1					DBB		INSERT, Transmission Shift Knob
2	6502 556	1					DBB		NUT, Hex, M10-1.5
3	5210 4174	1					DBB		KNOB, Gearshift
4									LEVER, Gearshift
	#52109 726AA	1	J				DBB		
	#52109 727AB	1	U				DBB		
5	5207 8558	1					DBB		BOOT, Gear Shift Lever
6	5300 0056	1					DBB		BEZEL, Gearshift Lever Boot
7									TUBE, Governor Support, (NOT REQUIRED)
8									BOOT, Inner Gearshift, Serviced in item 9, (NOT SERVICED) (Not Serviced)
9	#52109 771AA	1					DBB		COVER, Floor Pan
10	J400 1701	2	U				DBB		SCREW, Hex Self Tapping, .19-16x.50
-11									PLATE, Retaining
	5015 943AA	1	U			ER0	DDD		Reverse Block
		1	J			ER0	DDD		Reverse Block
-12									CAM, Reverse Block
	5015 942AA	1	U			ER0	DDD		
		1	J			ER0	DDD		

**JEEP WRANGLER (TJ)**

SERIES	LINE	BODY	ENGINE	TRANSMISSION
H = Sport	J = Wrangler 4WD	77 = 93.4 WB	ED1, ED0 = 2.4L DOHC	DGG, DGD = 32RH 3 Spd Auto
L = SE	U = Wrangler 4WD (RHD)		ERH = 4.0L Power Tech	DDD = 5 Speed HD Manual
M = X				DG0 = Auto. Trans.
P = Sahara				DBB = Manual Trans.
S = Rubicon				DDK = 5 Speed Manual

AR = Use as required - = Non illustrated part # = New this model year

September 29, 2003

# Group – NV2550

## Manual Transmission 5 Speed

### GROUP NV2550 - Manual Transmission 5 Speed

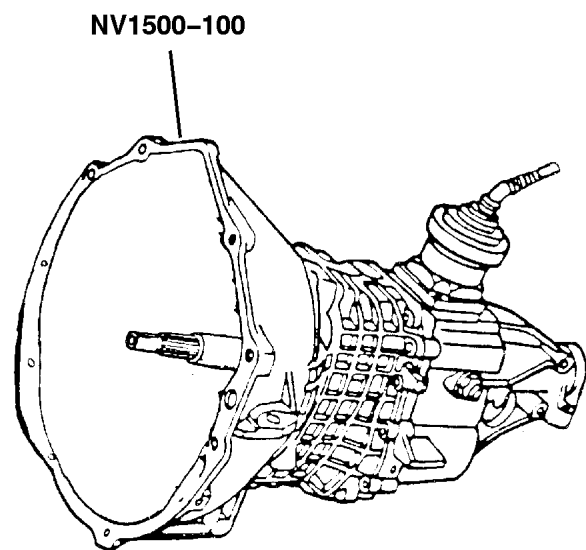


Illustration Title

Group-Fig. No.

#### Transmission Assembly

Transmission [NV 2550] [DDK] ..... Fig. NV2550-110

#### Case and Extension

Case and Extension [NV 2550] [DDK] ..... Fig. NV2550-210

#### Gear Train

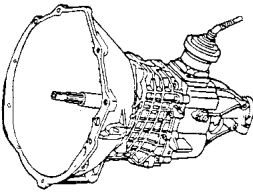
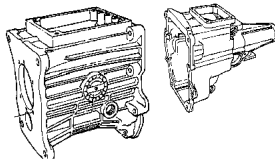
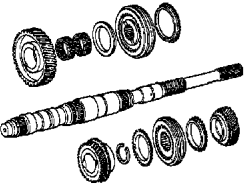
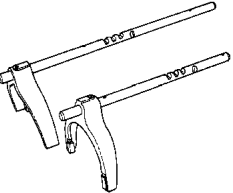

Gear Train [NV 2550] [DDK] ..... Fig. NV2550-410

#### Fork and Rails

Fork and Rail [NV 2550] [DDK] ..... Fig. NV2550-910

#### Gearshift Controls

Gearshift Controls ..... Fig. NV2550-1210

<p><b>NV2550-100</b> Transmission Assembly</p> 	<p><b>NV2550-200</b> Case and Extension</p> 	<p><b>NV2550-400</b> Gear Train</p> 	<p><b>NV2550-900</b> Fork and Rails</p> 
<p><b>NV2550-1200</b> Gearshift Controls</p> 			

Transmission [NV 2550] [DDK]  
Figure NV2550-110

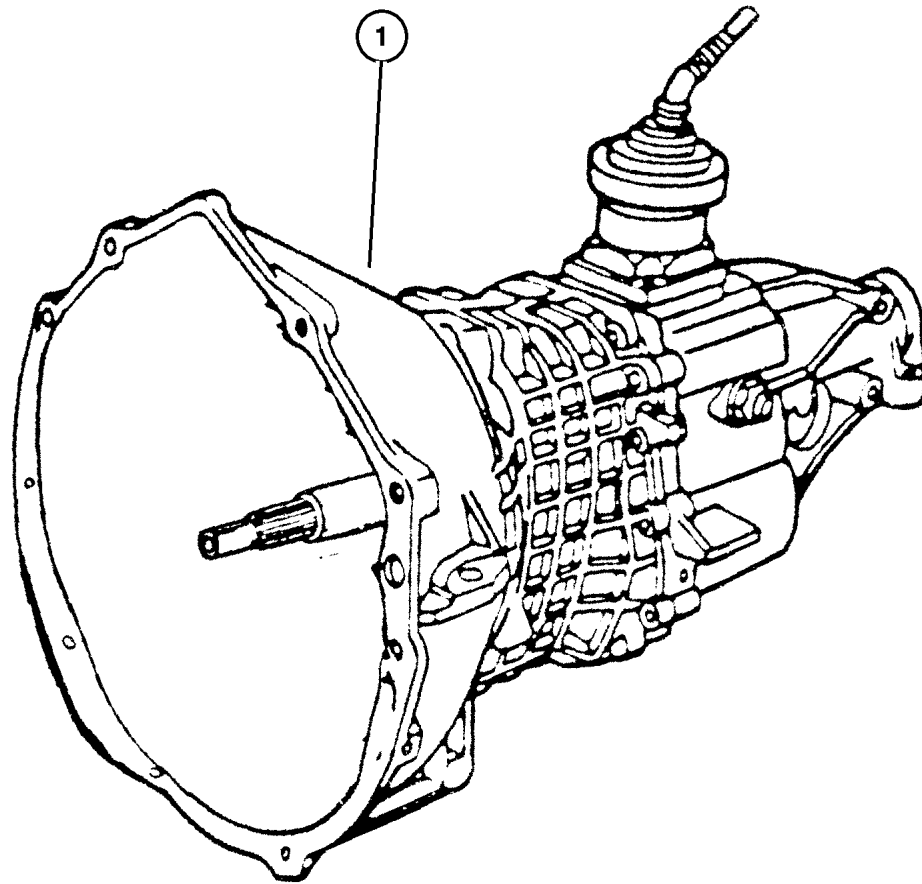
ITEM	PART NUMBER	QTY	LINE	SERIES	BODY	ENGINE	TRANS	TRIM	DESCRIPTION
------	-------------	-----	------	--------	------	--------	-------	------	-------------

NOTE; Sales Codes

[DDK] = 5 Speed Heavy Duty Manual Transmissions

[ED0] = All 2.2,2.5,2.4 L 4 Cylinder Gas Engines

1	#52108 296AB	1				ED0	DDK		TRANSMISSION, 5 Speed
---	--------------	---	--	--	--	-----	-----	--	-----------------------



JEEP WRANGLER (TJ)

SERIES	LINE	BODY	ENGINE	TRANSMISSION
H = Sport	J = Wrangler 4WD	77 = 93.4 WB	ED1, ED0 = 2.4L DOHC	DGG, DGD = 32RH 3 Spd Auto
L = SE	U = Wrangler 4WD (RHD)		ERH = 4.0L Power Tech	DDD = 5 Speed HD Manual
M = X				DG0 = Auto. Trans.
P = Sahara				DBB = Manual Trans.
S = Rubicon				DDK = 5 Speed Manual

AR = Use as required - = Non illustrated part # = New this model year

September 29, 2003



**Case and Extension [NV 2550] [DDK]  
Figure NV2550-210**

ITEM	PART NUMBER	QTY	LINE	SERIES	BODY	ENGINE	TRANS	TRIM	DESCRIPTION
------	-------------	-----	------	--------	------	--------	-------	------	-------------

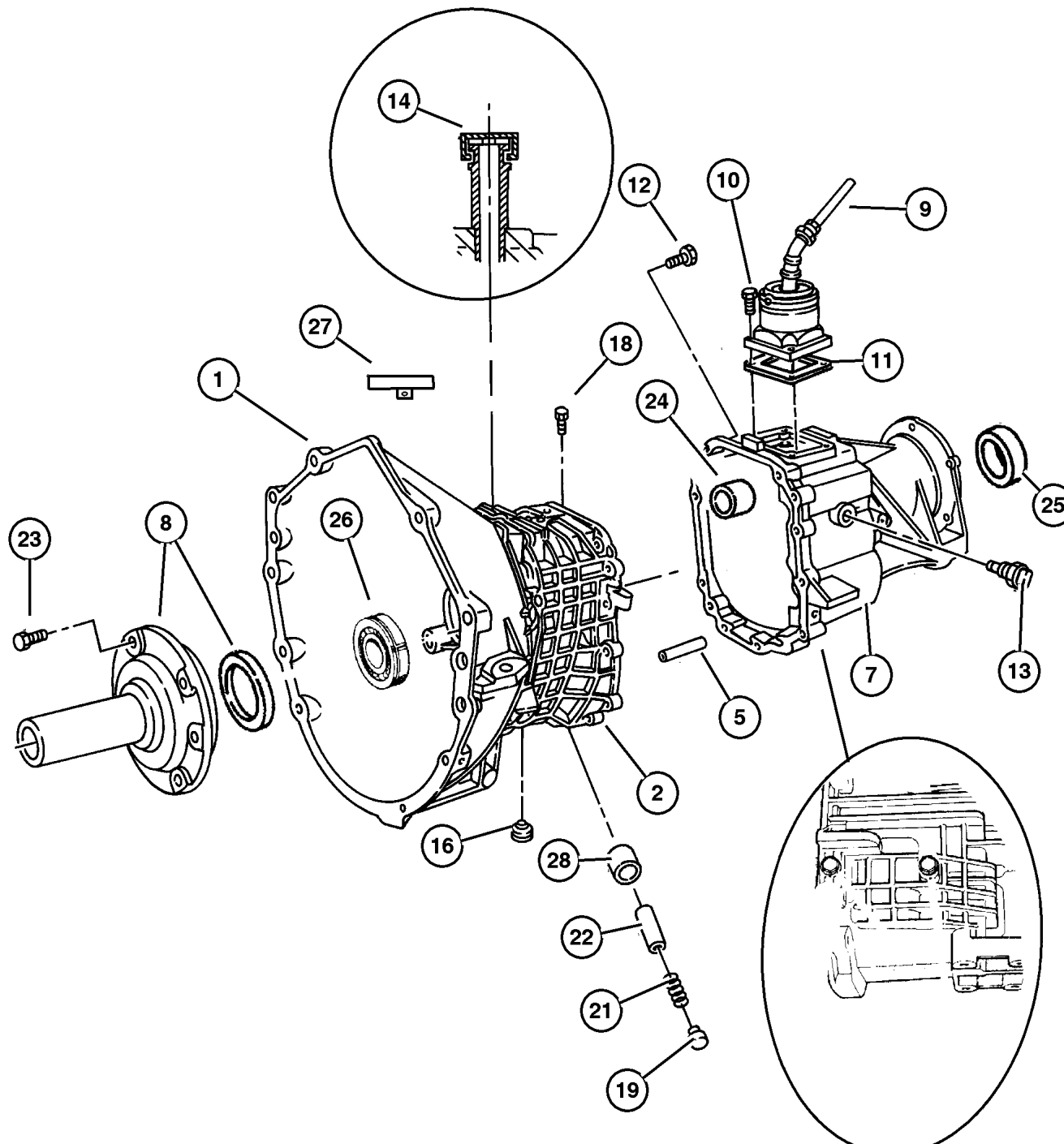
NOTE; Sales Codes

[DBB] = All Manual Transmissions

[DDK] = 5 Speed Heavy Duty Manual Transmissions

[ED0] = All 2.2,2.5,2.4 L 4 Cylinder Gas Engines

1	#52107 786AA	1				ED0	DBB		HOUSING, Clutch
2	5018 670AA	1				ED0	DDK		CASE, Transmission
-3	4740 899	1				ED0	DDK		BUSHING, Shift Rail
-4	5013 313AA	1				ED0	DDK		CUP, Bearing Inner
5	5013 314AA	2				ED0	DDK		DOWEL, Transmission Case
-6									SHIM
	5013 315AA	1				ED0	DDK		[.50]
	5013 316AA	1				ED0	DDK		[.54]
	5013 317AA	1				ED0	DDK		[.58]
7	#5101 838AA	1				ED0	DDK		CASE, Transmission Rear
8	5013 413AA	1				ED0	DDK		RETAINER, Shaft
9	#5093 146AA	1				ED0	DDK		LEVER, Gearshift
10	4741 144	4				ED0	DDK		BOLT, Hex Head
11	4886 153AA	1				ED0	DDK		SEAL, Shift Lever
12	1150 2628	8				ED0	DDK		BOLT, Hex Flange Head, M8x1.25x30
13	5600 7163	1				ED0	DDK		SWITCH, Back Up Lamp
14	5013 319AA	1				ED0	DDK		VENT, Transmission
-15	5013 320AA	1				ED0	DDK		O RING
16									PLUG, Oil Fill
	4882 280	1				ED0	DDK		Drain
									Fill
-17	5013 327AA	1				ED0	DDK		MAGNET, Transmission
18	5013 321AA	1				ED0	DDK		PIN, Detent
19	5013 339AA	1				ED0	DDK		PLUG, Shift Rail
-20	5072 115AA	2				ED0	DDK		BOLT
21	#5093 217AA	1				ED0	DDK		SPRING, Shift Detent
22	5015 949AA	1				ED0	DDK		PLUNGER
23	4741 123	10				ED0	DDK		BOLT, Hex Head, M8x1.25x50
24									BEARING, Ball, (NOT SERVICED) (Not Serviced)
25	5013 333AA	1				ED0	DDK		SEAL, Adapter
26	5013 411AA	1				ED0	DDK		BEARING, Input Shaft
27	5013 319AA	1				ED0	DDK		VENT, Transmission
28									BUSHING, Detent
	4740 892	2				ED0	DDK		
		1				ED0	DDK		



**JEEP WRANGLER (TJ)**

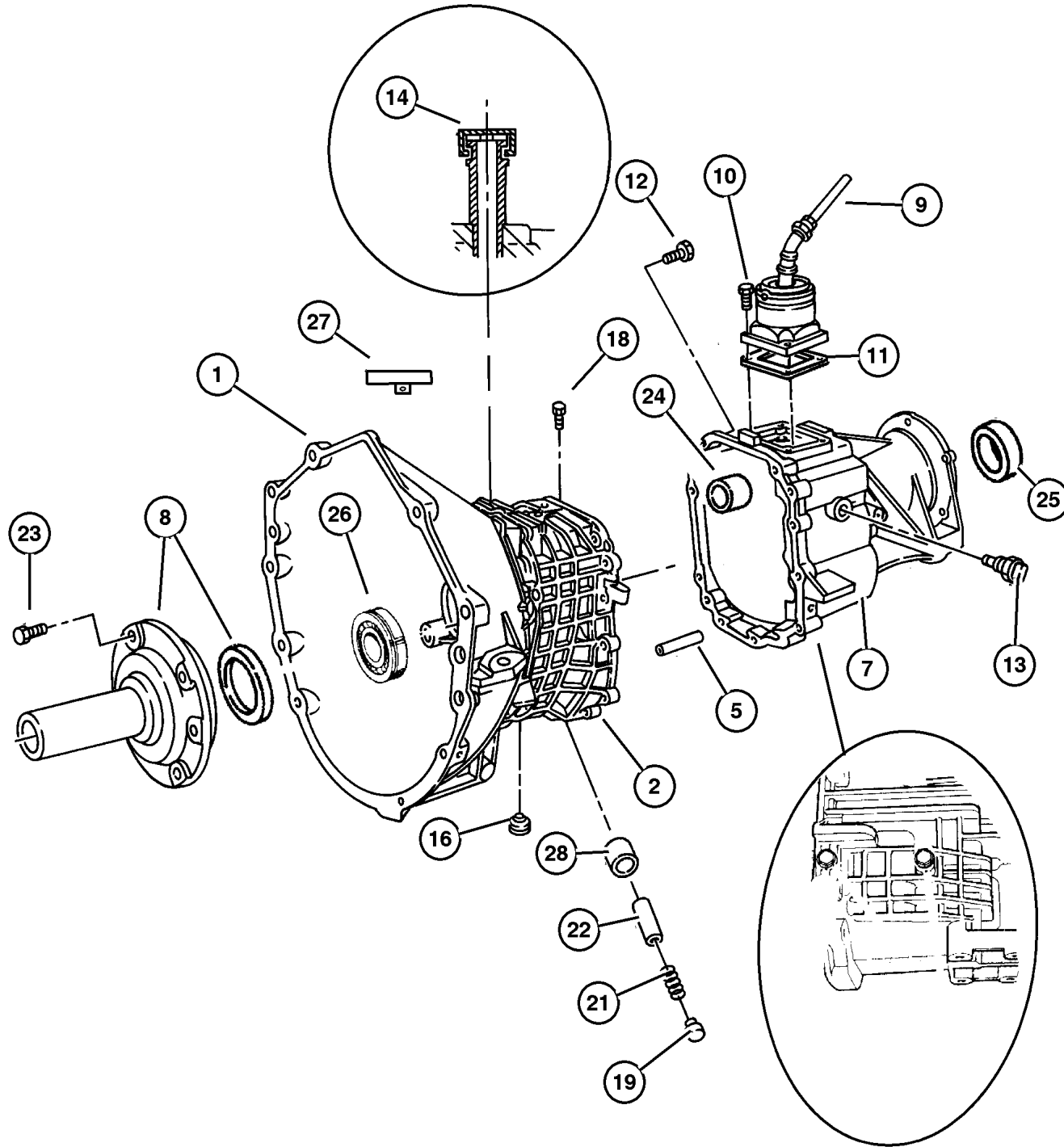
<b>SERIES</b>	<b>LINE</b>	<b>BODY</b>	<b>ENGINE</b>	<b>TRANSMISSION</b>
H = Sport	J = Wrangler 4WD	77 = 93.4 WB	ED1, ED0 = 2.4L DOHC	DGG, DGD = 32RH 3 Spd Auto
L = SE	U = Wrangler 4WD (RHD)		ERH = 4.0L Power Tech	DDD = 5 Speed HD Manual
M = X				DG0 = Auto. Trans.
P = Sahara				DBB = Manual Trans.
S = Rubicon				DDK = 5 Speed Manual

AR = Use as required - = Non illustrated part # = New this model year

September 29, 2003

Case and Extension [NV 2550] [DDK]  
Figure NV2550-210

ITEM	PART NUMBER	QTY	LINE	SERIES	BODY	ENGINE	TRANS	TRIM	DESCRIPTION
-29	5013 337AA	2				ED0	DDK		DOWEL, Transmission Case
-30	5013 331AA	3				ED0	DDK		SEAL, O-Ring
-31	5013 418AA	1				ED0	DDK		BOLT, Hex Head, M8, Reverse Idler M8x1.25x6G
-32	5013 419AA	1				ED0	DDK		BOLT, Hex Head, M8, Reverse Idler M8x1.25x6G

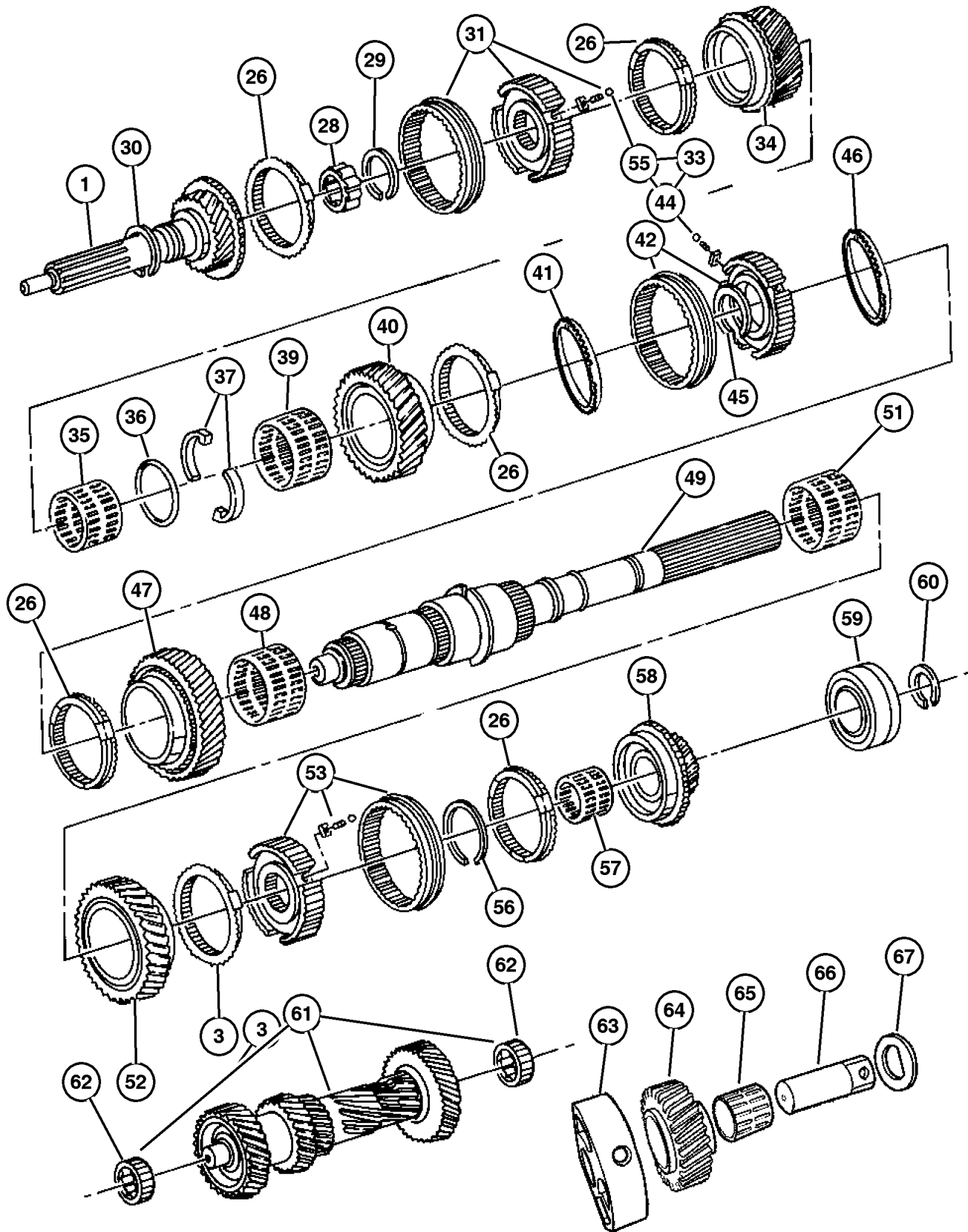


JEEP WRANGLER (TJ) —  
 SERIES LINE BODY ENGINE TRANSMISSION  
 H = Sport J = Wrangler 4WD 77 = 93.4 WB ED1, ED0 = 2.4L DOHC DGG, DGD = 32RH 3 Spd Auto  
 L = SE U = Wrangler 4WD (RHD) ERH = 4.0L Power Tech DDD = 5 Speed HD Manual  
 M = X DG0 = Auto. Trans.  
 P = Sahara DBB = Manual Trans.  
 S = Rubicon DDK = 5 Speed Manual

AR = Use as required - = Non illustrated part # = New this model year

September 29, 2003

**Gear Train [NV 2550] [DDK]  
Figure NV2550-410**



ITEM	PART NUMBER	QTY	LINE	SERIES	BODY	ENGINE	TRANS	TRIM	DESCRIPTION
------	-------------	-----	------	--------	------	--------	-------	------	-------------

NOTE; Sales Codes

[DDK] = 5 Speed Heavy Duty Manual Transmissions

[ED0] = All 2.2,2.5,2.4 L 4 Cylinder Gas Engines

1	#5093 171AA	1				ED0	DDK		SHAFT, Input
-2	5013 410AA	1				ED0	DDK		NEEDLE BEARING, Input Shaft
3	5013 411AA	1				ED0	DDK		BEARING, Input Shaft
-4	4202 751	1				ED0	DDK		SPACER, Input Shaft, 0.62mm(.024")
-5	4202 301	1				ED0	DDK		SPACER, Input Shaft, 0.66mm(.026")
-6	4202 302	1				ED0	DDK		SPACER, Input Shaft, 0.70mm(.028")
-7	4202 303	1				ED0	DDK		SPACER, Input Shaft, 0.74mm(.029")
-8	4202 304	1				ED0	DDK		SPACER, Input Shaft, 0.78mm(.031")
-9	4202 307	1				ED0	DDK		SPACER, Input Shaft, 0.90mm(.035")
-10	4202 308	1				ED0	DDK		SPACER, Input Shaft, 0.94mm(.037")
-11	4202 309	1				ED0	DDK		SPACER, Input Shaft, 0.98mm(.039")
-12	4202 310	1				ED0	DDK		SPACER, Input Shaft, 1.02mm(.040")
-13	4202 311	1				ED0	DDK		SPACER, Input Shaft, 1.06mm(.042")
-14	4202 312	1				ED0	DDK		SPACER, Input Shaft, 1.10mm(.043")
-15	4202 313	1				ED0	DDK		SPACER, Input Shaft, 1.14mm(.045")
-16	4202 314	1				ED0	DDK		SPACER, Input Shaft, 1.18mm(.046")
-17	4202 315	1				ED0	DDK		SPACER, Input Shaft, 1.22mm(.048")
-18	4202 316	1				ED0	DDK		SPACER, Input Shaft, 1.26mm(.050")
-19	4202 317	1				ED0	DDK		SPACER, Input Shaft, 1.30mm(.051")
-20	4202 318	1				ED0	DDK		SPACER, Input Shaft, 1.34mm(.053")
-21	4202 319	1				ED0	DDK		SPACER, Input Shaft, 1.38mm(.054")
-22	4202 320	1				ED0	DDK		SPACER, Input Shaft, 1.42mm(.056")
-23	4202 321	1				ED0	DDK		SPACER, Input Shaft, 1.46mm(.057")
-24	4202 322	1				ED0	DDK		SPACER, Input Shaft, 1.50mm(.059")
-25	4202 323	1				ED0	DDK		SPACER, Input Shaft, 1.54mm(.061")
26	5013 366AA	1				ED0	DDK		RING, Synchronizer Blocker
-27	5013 368AA	4				ED0	DDK		RING, Synchronizer Blocker
28	5013 410AA	1				ED0	DDK		NEEDLE BEARING, Input Shaft
29	5013 318AB	1				ED0	DDK		SNAP RING PACKAGE, Fifth Gear
30	5013 379AA	1				ED0	DDK		RING, Snap
31	5013 367AA	1				ED0	DDK		SYNCHRONIZER, Fifth And Reverse, Third and Fourth
-32	5080 807AA	3				ED0	DDK		SPRING, Synchronizer
33	4741 136	3				ED0	DDK		BALL, Shift Lever, M5
34	5018 679AA	1				ED0	DDK		GEAR, Third
35	5013 365AA	1				ED0	DDK		BEARING, Needle
36	5013 397AA	1				ED0	DDK		SNAP RING
37	5013 398AA	2				ED0	DDK		WASHER, Output Shaft

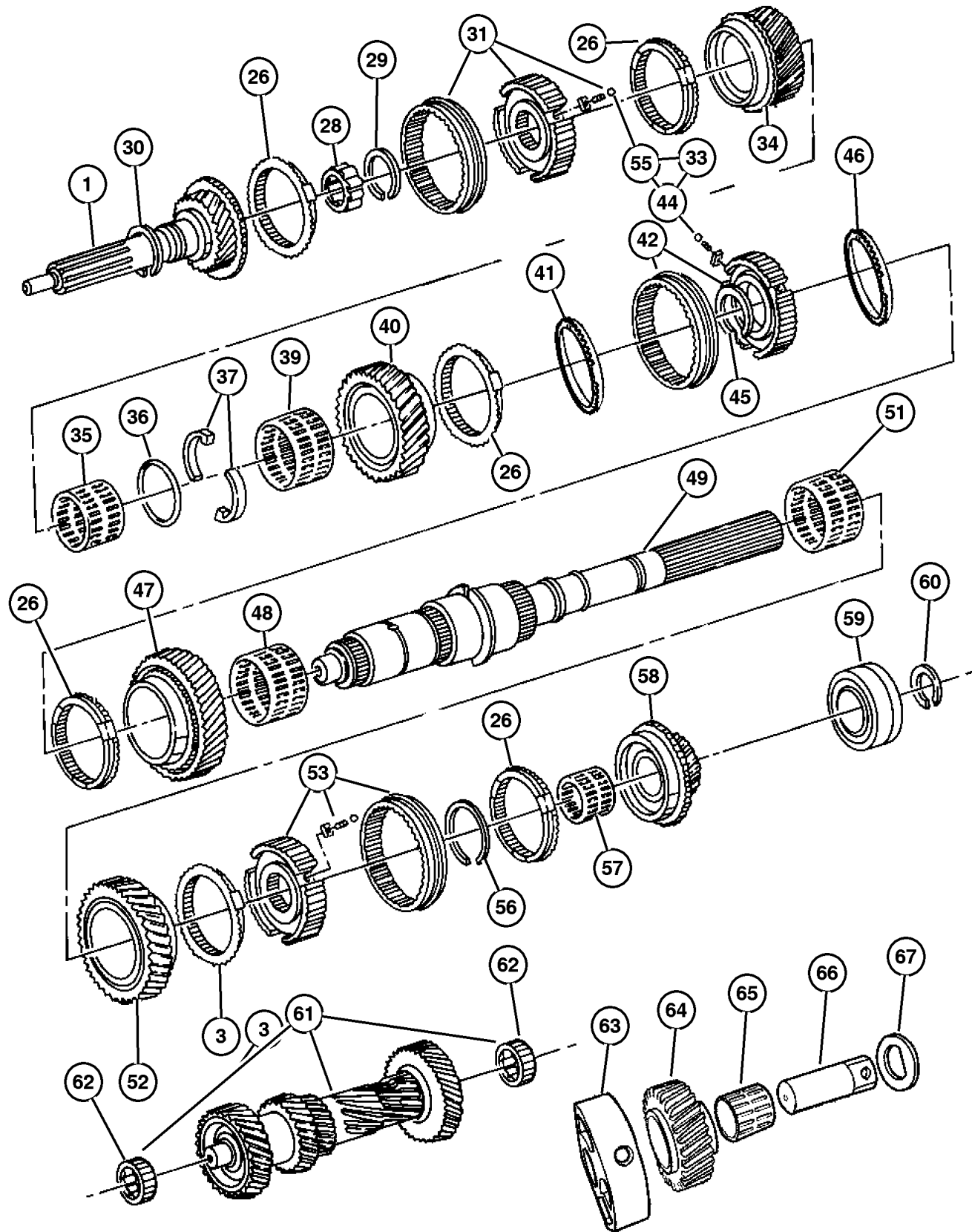
**JEEP WRANGLER (TJ)**

SERIES	LINE	BODY	ENGINE	TRANSMISSION
H = Sport	J = Wrangler 4WD	77 = 93.4 WB	ED1, ED0 = 2.4L DOHC	DGG, DGD = 32RH 3 Spd Auto
L = SE	U = Wrangler 4WD (RHD)		ERH = 4.0L Power Tech	DDD = 5 Speed HD Manual
M = X				DG0 = Auto. Trans.
P = Sahara				DBB = Manual Trans.
S = Rubicon				DDK = 5 Speed Manual

AR = Use as required - = Non illustrated part # = New this model year

September 29, 2003

**Gear Train [NV 2550] [DDK]  
Figure NV2550-410**



ITEM	PART NUMBER	QTY	LINE	SERIES	BODY	ENGINE	TRANS	TRIM	DESCRIPTION
-38	5013 378AA	1				ED0	DDK		PIN
39	5013 365AA	3				ED0	DDK		BEARING, Needle
40	5013 395AA	1				ED0	DDK		GEAR, Second
41	5013 385AB	2				ED0	DDK		RING, 1st and 2nd Speed Blocker
42	5013 386AA	1				ED0	DDK		SYNCHRONIZER, First and Second
-43	5080 807AA	3				ED0	DDK		SPRING, Synchronizer
44	4741 136	3				ED0	DDK		BALL, Shift Lever, M5
45	5013 390AA	1				ED0	DDK		SNAP RING PACKAGE, Transmission
46	5013 385AB	2				ED0	DDK		RING, 1st and 2nd Speed Blocker
47	5013 380AA	1				ED0	DDK		GEAR, First
48	5013 381AA	1				ED0	DDK		BEARING, First Gear
49	5018 675AA	1				ED0	DDK		SHAFT, Output
-50	5013 328AA	1				ED0	DDK		RETAINER, Transmission Output Shaft Bearing
51	5013 365AA	3				ED0	DDK		BEARING, Needle
52	5013 364AA	1				ED0	DDK		GEAR, Reverse
53	5013 367AA	1				ED0	DDK		SYNCHRONIZER, Fifth And Reverse
-54	5080 807AA	3				ED0	DDK		SPRING, Synchronizer
55	4741 136	3				ED0	DDK		BALL, Shift Lever, M5
56	5013 318AB	1				ED0	DDK		SNAP RING PACKAGE, Fifth Gear
57	5013 375AA	1				ED0	DDK		BEARING, Needle
58	5013 373AA	1				ED0	DDK		GEAR, Fifth
59	5013 376AA	1				ED0	DDK		BEARING, Output Shaft
60	5013 377AA	1				ED0	DDK		SNAP RING, Output Shaft Bearing
61	5013 414AA	1				ED0	DDK		SHAFT, Counter
62	5013 416AA	2				ED0	DDK		CONE ASSEMBLY, Countershaft
63	5127 544AA	1				ED0	DDK		SUPPORT, Segment Idler Shaft
64	5127 539AA	1				ED0	DDK		GEAR, Reverse Idler
65	5013 417AA	1				ED0	DDK		BEARING, Idler
66	5127 512AA	1				ED0	DDK		IDLER SHAFT, Transmission
67	5127 545AA	1				ED0	DDK		WASHER, Reverse Idler
-68	4419 650	1				ED0	DDK		SHIM PACKAGE, Countershaft
-69	5015 943AA	1				ED0	DDK		PLATE, Retaining, Reverse Block
-70	5015 942AA	1				ED0	DDK		CAM, Reverse Block

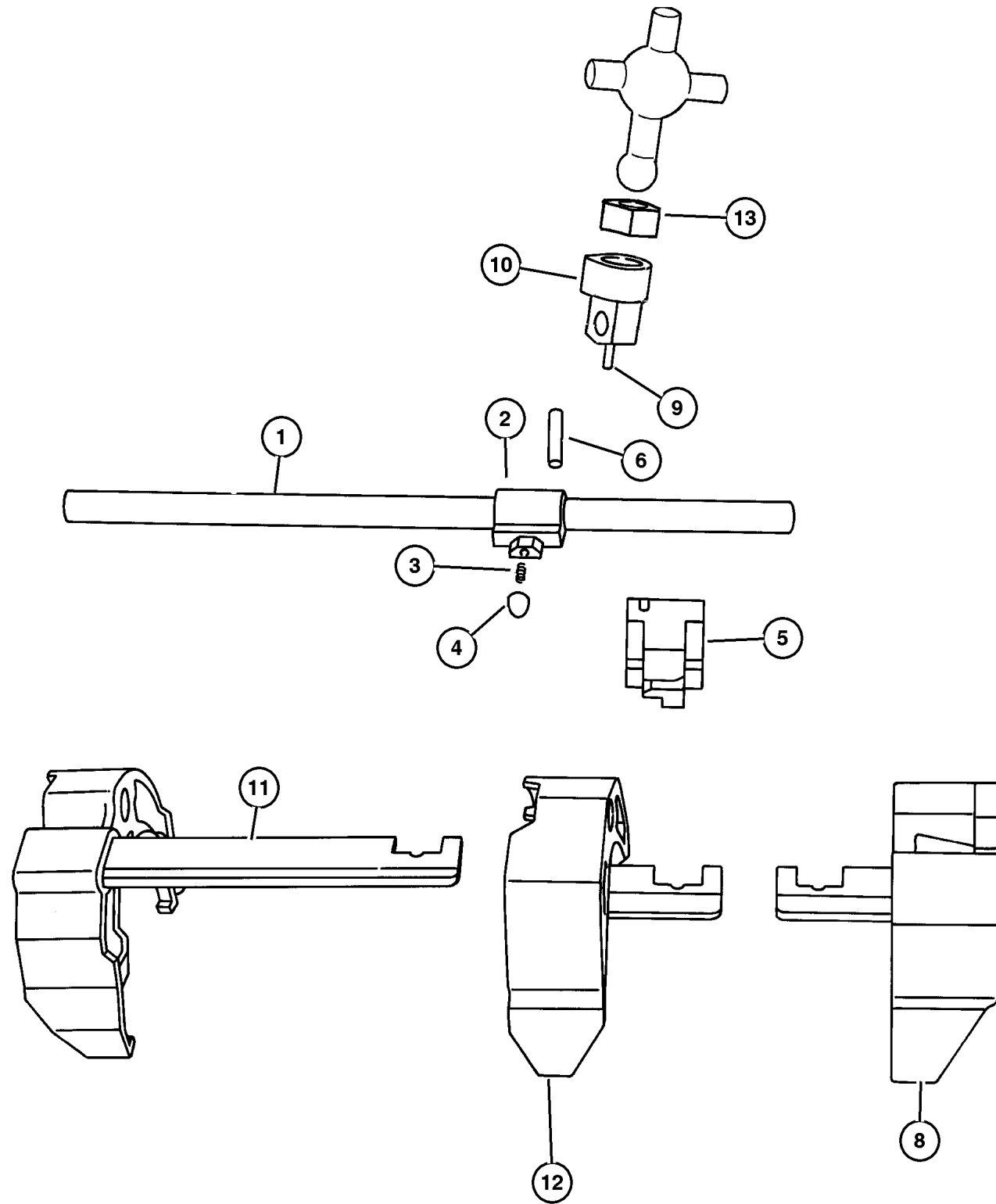
**JEEP WRANGLER (TJ)**

SERIES	LINE	BODY	ENGINE	TRANSMISSION
H = Sport	J = Wrangler 4WD	77 = 93.4 WB	ED1, ED0 = 2.4L DOHC	DGG, DGD = 32RH 3 Spd Auto
L = SE	U = Wrangler 4WD (RHD)		ERH = 4.0L Power Tech	DDD = 5 Speed HD Manual
M = X				DG0 = Auto. Trans.
P = Sahara				DBB = Manual Trans.
S = Rubicon				DDK = 5 Speed Manual

AR = Use as required - = Non illustrated part # = New this model year

September 29, 2003

Fork and Rail [NV 2550] [DDK]  
Figure NV2550-910



ITEM	PART NUMBER	QTY	LINE	SERIES	BODY	ENGINE	TRANS	TRIM	DESCRIPTION
------	-------------	-----	------	--------	------	--------	-------	------	-------------

NOTE; Sales Codes

[DDK] = 5 Speed Heavy Duty Manual Transmissions

[ED0] = All 2.2,2.5,2.4 L 4 Cylinder Gas Engines

1	5072 116AA	1				ED0	DDK		SHAFT, Shift Lever
2	5016 504AA	1				ED0	DDK		LEVER, Shift Shaft
3									SPRING, Lever, (NOT REQUIRED)
4	5015 949AA	1				ED0	DDK		PLUNGER
5	5013 350AA	1				ED0	DDK		BUSHING, Transmission
6	5019 024AA	1				ED0	DDK		PIN, Shift Fork Trac
-7	4741 139	1				ED0	DDK		PIN, Shift Shaft
8	5013 344AA	1				ED0	DDK		FORK, Third and Fourth
9	4741 139	1				ED0	DDK		PIN, Shift Shaft
10	4874 352	1				ED0	DDK		SOCKET, Shift Shaft
11	5013 345AA	1				ED0	DDK		FORK, Fifth Shift
12	5013 343AA	1				ED0	DDK		FORK, First and Second
13	5012 020AA	1				ED0	DDK		ISOLATOR, Shift Lever

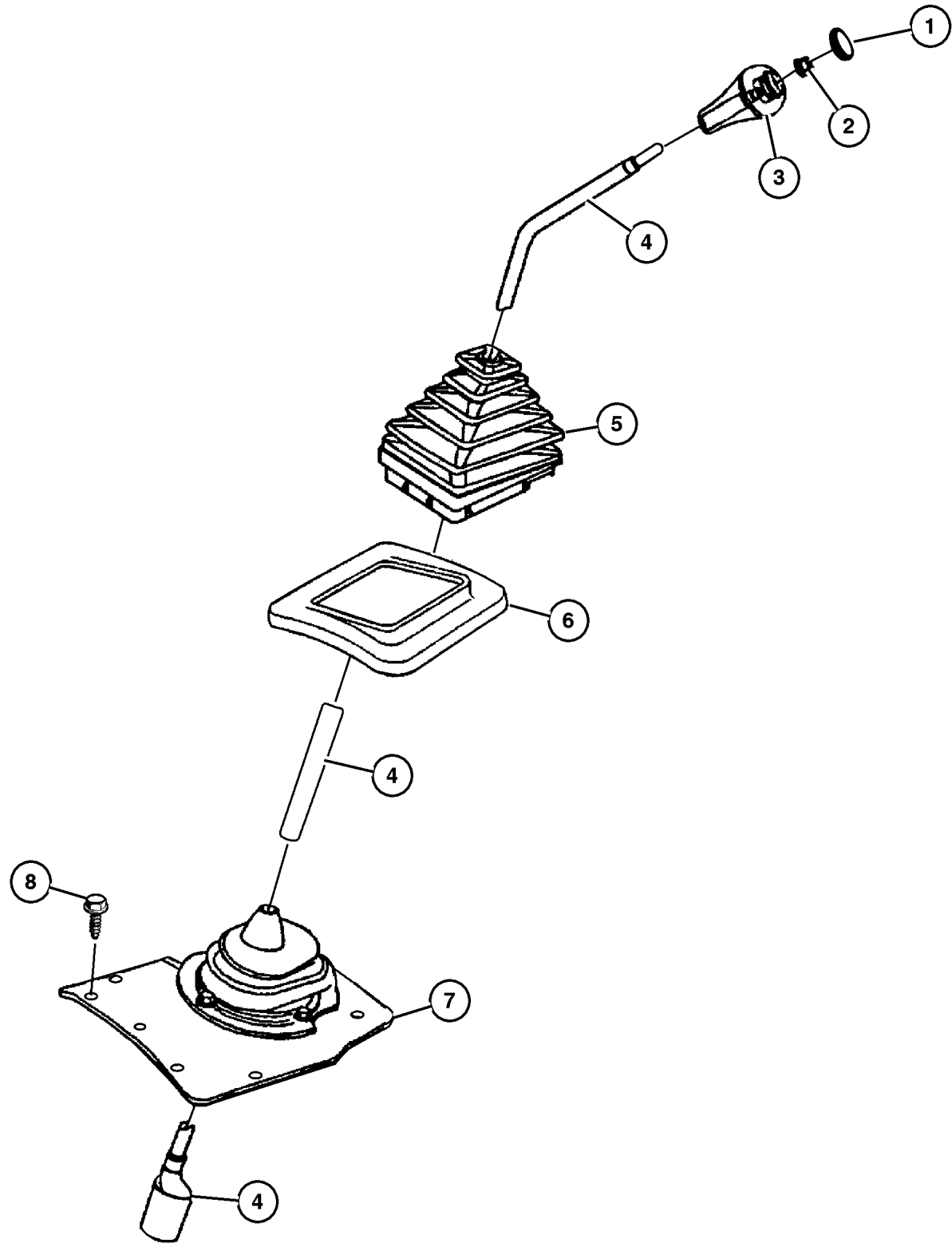
JEEP WRANGLER (TJ)

SERIES	LINE	BODY	ENGINE	TRANSMISSION
H = Sport	J = Wrangler 4WD	77 = 93.4 WB	ED1, ED0 = 2.4L DOHC	DGG, DGD = 32RH 3 Spd Auto
L = SE	U = Wrangler 4WD (RHD)		ERH = 4.0L Power Tech	DDD = 5 Speed HD Manual
M = X				DG0 = Auto. Trans.
P = Sahara				DBB = Manual Trans.
S = Rubicon				DDK = 5 Speed Manual

AR = Use as required - = Non illustrated part # = New this model year

September 29, 2003

## Gearshift Controls Figure NV2550-1210



ITEM	PART NUMBER	QTY	LINE	SERIES	BODY	ENGINE	TRANS	TRIM	DESCRIPTION
NOTE; Sales Codes									
[DBB] = All Manual Transmissions									
[DDK] = 5 Speed Heavy Duty Manual Transmissions									
[ED0] = All 2.2,2.5,2.4 L 4 Cylinder Gas Engines									
1	4446 921	1					DBB		INSERT, Transmission Shift Knob
2	6502 556	1					DBB		NUT, Hex, M10-1.5
3	5210 4174	1					DBB		KNOB, Gearshift
4									LEVER, Gearshift
	#52109 726AA	1	J				DBB		
	#52109 727AB	1	U				DBB		
5	5207 8558	1					DBB		BOOT, Gear Shift Lever
6	5300 0056	1					DBB		BEZEL, Gearshift Lever Boot
7	#52109 771AA	1					DBB		COVER, Floor Pan
8	J400 1701	2	U				DBB		SCREW, Hex Self Tapping, .19-16x.50
-9	5015 943AA	1				ED0	DDK		PLATE, Retaining, Reverse Block
-10	5015 942AA	1				ED0	DDK		CAM, Reverse Block

### JEEP WRANGLER (TJ)

SERIES	LINE	BODY	ENGINE	TRANSMISSION
H = Sport	J = Wrangler 4WD	77 = 93.4 WB	ED1, ED0 = 2.4L DOHC	DGG, DGD = 32RH 3 Spd Auto
L = SE	U = Wrangler 4WD (RHD)		ERH = 4.0L Power Tech	DDD = 5 Speed HD Manual
M = X				DG0 = Auto. Trans.
P = Sahara				DBB = Manual Trans.
S = Rubicon				DDK = 5 Speed Manual

AR = Use as required - = Non illustrated part # = New this model year

September 29, 2003

# Group – 231

## Transfer Case Model 231

### GROUP 231 - Transfer Case Model 231

Illustration Title

Group-Fig. No.

#### Transfer Case Assembly

Command Trac Transfer Case [DHN] ..... Fig. 231-110

#### Case and Related Parts

Case & Related Parts, Command Trac [DHN] ..... Fig. 231-210

#### Gear Train

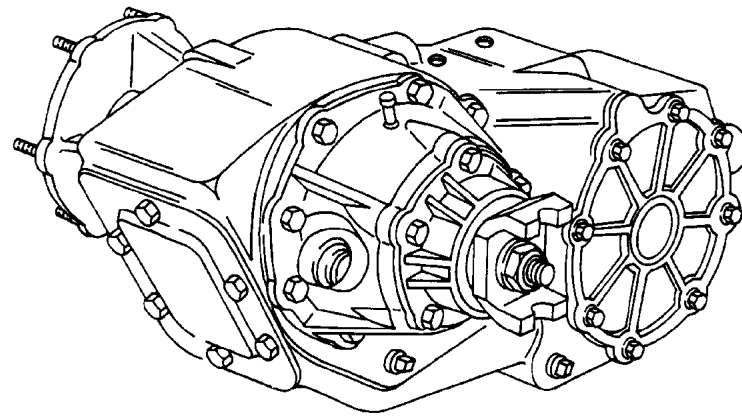
Gear Train, Command Trac [DHN] ..... Fig. 231-410

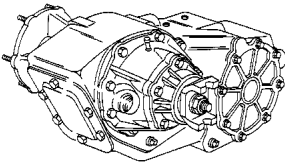
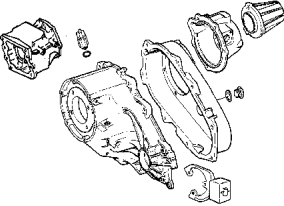
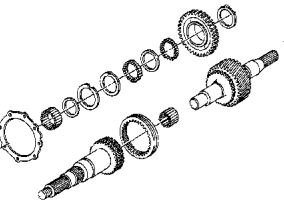
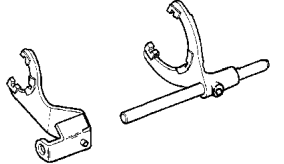

#### Fork and Rails

Forks & Rails, Command Trac [DHN] ..... Fig. 231-910

#### Gearshift Controls

Gearshift Controls, Command Trac [DHN] ..... Fig. 231-1210



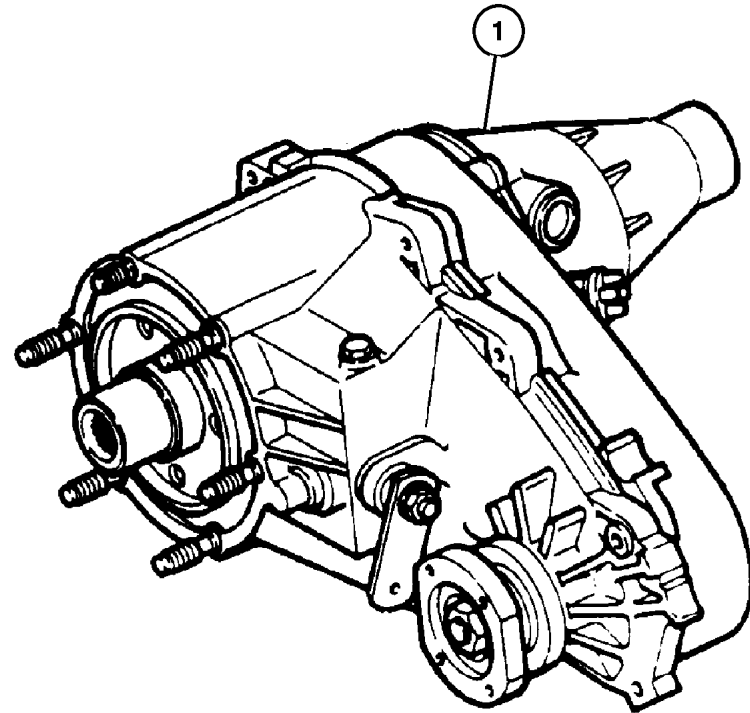
<p><b>231-100</b> Transfer Case Assembly</p> 	<p><b>231-200</b> Case and Related Parts</p> 	<p><b>231-400</b> Gear Train</p> 	<p><b>231-900</b> Fork and Rails</p> 
<p><b>231-1200</b> Gearshift Controls</p> 			

**Command Trac Transfer Case [DHN]  
Figure 231-110**

ITEM	PART NUMBER	QTY	LINE	SERIES	BODY	ENGINE	TRANS	TRIM	DESCRIPTION
------	-------------	-----	------	--------	------	--------	-------	------	-------------

NOTE; Sales Code  
 [DDD] = 5 Speed Heavy Duty Manual Transmission  
 [DDK]= 5 Speed Heavy Duty Manual Transmission  
 [DG0]=All Automatic Transmissions

1									TRANSFER CASE, NV231
	#52105 886AC	1					DDK, DG0		
	#52105 887AC	1					DDD		



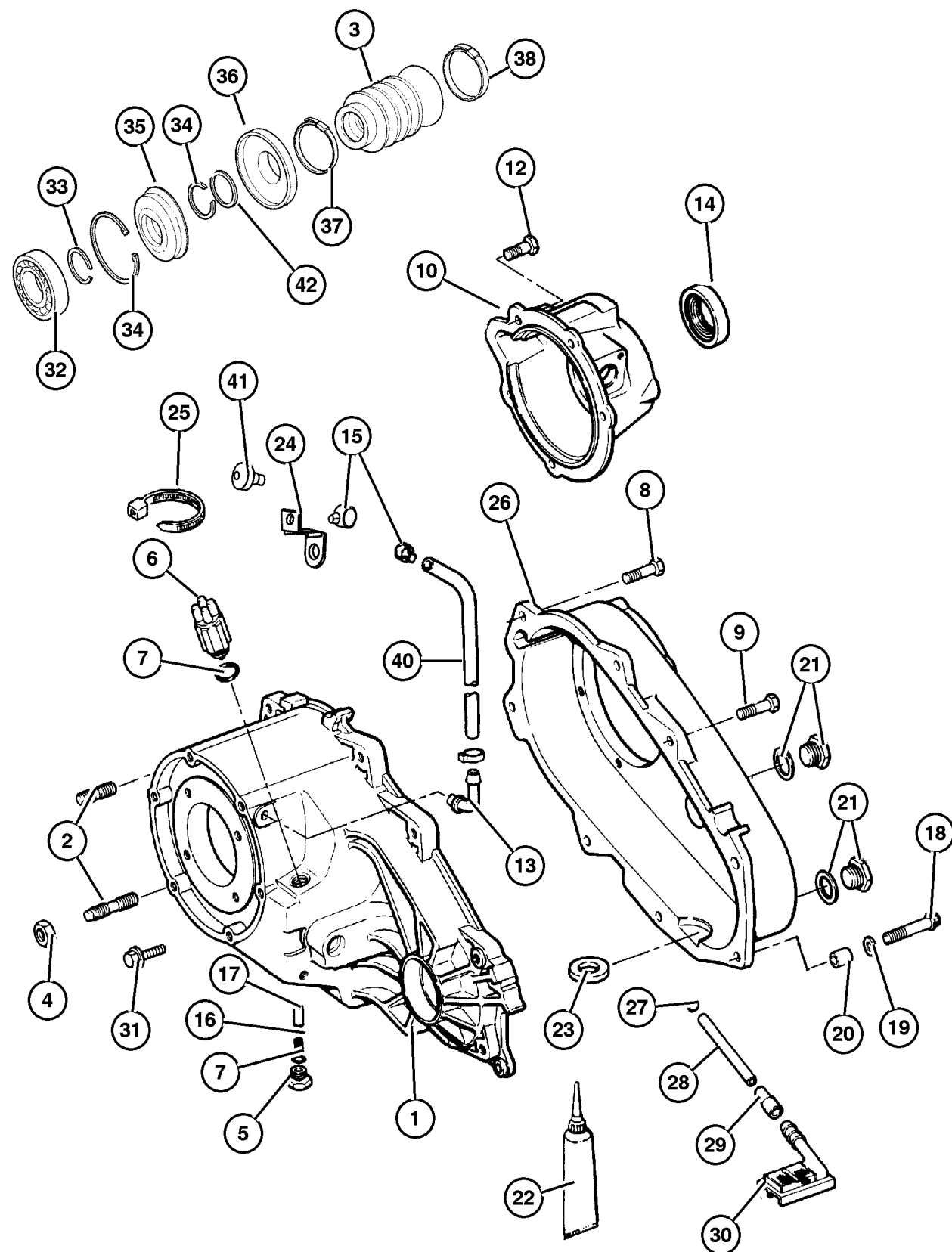
JEEP WRANGLER (TJ)				
SERIES	LINE	BODY	ENGINE	TRANSMISSION
H = Sport	J = Wrangler 4WD	77 = 93.4 WB	ED1, ED0 = 2.4L DOHC	DGG, DGD = 32RH 3 Spd Auto
L = SE	U = Wrangler 4WD (RHD)		ERH = 4.0L Power Tech	DDD = 5 Speed HD Manual
M = X				DG0 = Auto. Trans.
P = Sahara				DBB = Manual Trans.
S = Rubicon				DDK = 5 Speed Manual

AR = Use as required - = Non illustrated part # = New this model year

September 29, 2003



**Case & Related Parts, Command Trac [DHN]  
Figure 231-210**



ITEM	PART NUMBER	QTY	LINE	SERIES	BODY	ENGINE	TRANS	TRIM	DESCRIPTION
NOTE; Sales Code									
[DDD] = 5 Speed Heavy Duty Manual Transmission									
[DDK]= 5 Speed Heavy Duty Manual Transmission									
[ED0]=All 2.2,2.4,2.5,L 4 Cylinder Gas Engines									
[ER0]=All 4.0L 6 Cylinder Gas Engines									
1	4798 111	1					DDD		CASE, Transfer Front
		1					DDK, DG0		
2	4167 922	1					DDK, DG0		STUD, Tranmission Case
		1					DDD		
3	5017 825AA	1					DDD		BOOT, Driveshaft
		1					DDK, DG0		
4	J400 6681	6				ER0			NUT AND CONED WASHER, Hex, .375-24
5	4886 473AA	1					DDD		SCREW
		1					DDK, DG0		
6	J813 4473	1					DDD		SWITCH, Transfer Case Mode
		1					DDK, DG0		
7	4338 956	1					DDK, DG0		SEAL, Vacuum Switch
		1					DDK, DG0		
8	4210 617	1					DDK, DG0		BOLT, Transfer Case
		1					DDD		
9	J813 0979	1					DDD		BOLT, Twelve Point Head, M10x1. 5x48
		1					DDK, DG0		
10									RETAINER, Transfer Case Rear

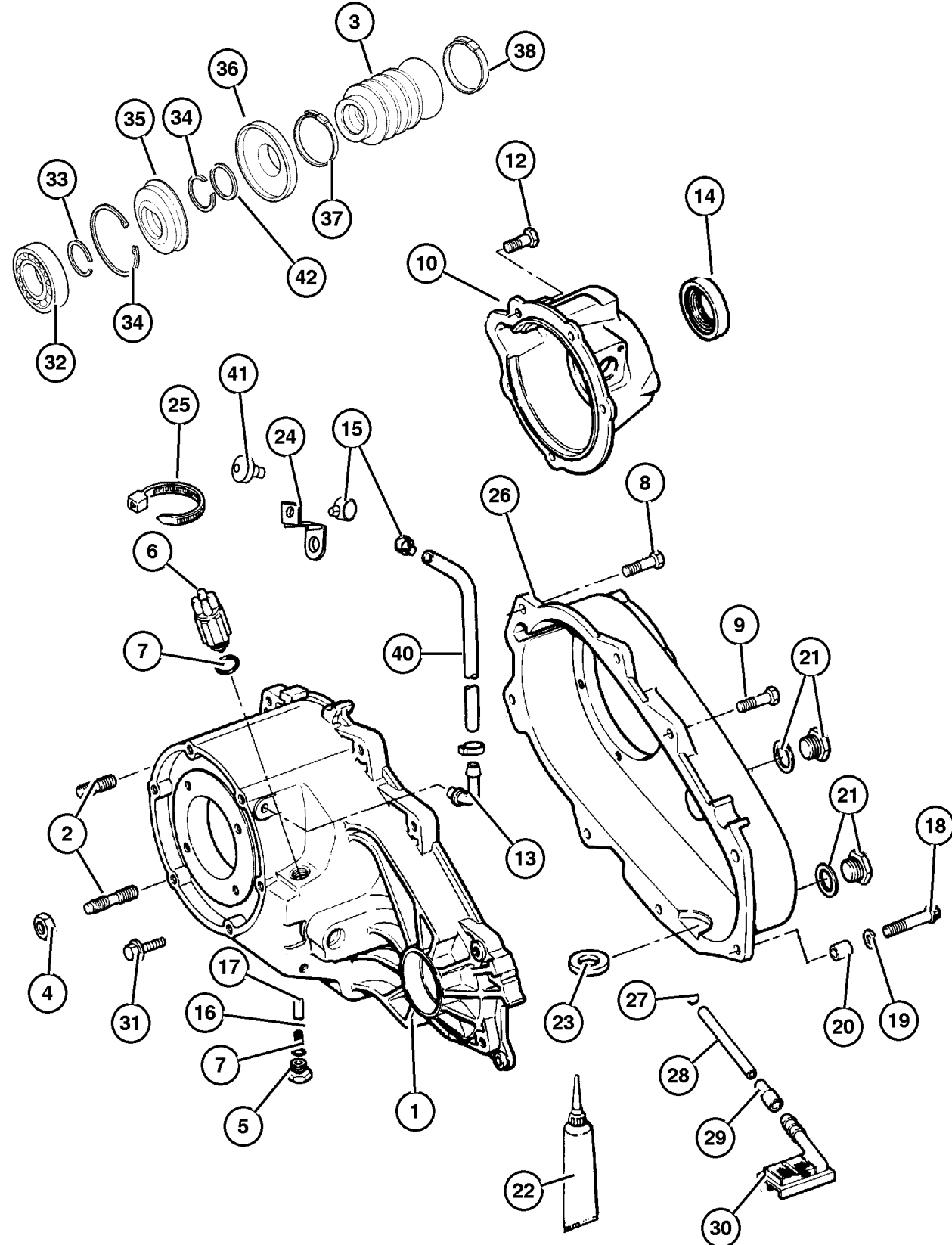
**JEEP WRANGLER (TJ)**

SERIES	LINE	BODY	ENGINE	TRANSMISSION
H = Sport	J = Wrangler 4WD	77 = 93.4 WB	ED1, ED0 = 2.4L DOHC	DGG, DGD = 32RH 3 Spd Auto
L = SE	U = Wrangler 4WD (RHD)		ERH = 4.0L Power Tech	DDD = 5 Speed HD Manual
M = X				DG0 = Auto. Trans.
P = Sahara				DBB = Manual Trans.
S = Rubicon				DDK = 5 Speed Manual

AR = Use as required - = Non illustrated part # = New this model year

September 29, 2003

Case & Related Parts, Command Trac [DHN]  
Figure 231-210



ITEM	PART NUMBER	QTY	LINE	SERIES	BODY	ENGINE	TRANS	TRIM	DESCRIPTION
	5017 477AA	1					DDD		
-11		1					DDK, DG0		CLIP
	5211 8181	1					DDK, DG0		
12		1					DDD		BOLT
	6500 318	4					DDD		
		4					DDK, DG0		
		1					DDK, DG0		
13		1					DDD		VENT, Transfer Case
	4796 910	1					DDD		
		1					DDK, DG0		
14		1					DDD		SEAL, Output Shaft
	4798 117	1					DDD		
		1					DDK, DG0		
15	J400 5701	1							CLIP, Wrap Around, Tube
16		1							SPRING, Shift Detent
	4638 497	1					DDD		
		1					DDK, DG0		
17		1					DDD		PLUNGER
	5300 8217	1					DDD		
		1					DDK, DG0		
18		2					DDD		BOLT, Hex Flange Head
	4210 614	2					DDD		
		2					DDK, DG0		
19		2					DDD		WASHER, Flat
	4210 983	2					DDD		
		2					DDK, DG0		
20		2					DDD		DOWEL, Transfer Case
	4116 310	2					DDD		

JEEP WRANGLER (TJ)

SERIES  
H = Sport  
L = SE  
M = X  
P = Sahara  
S = Rubicon

LINE  
J = Wrangler 4WD  
U = Wrangler 4WD (RHD)

BODY  
77 = 93.4 WB

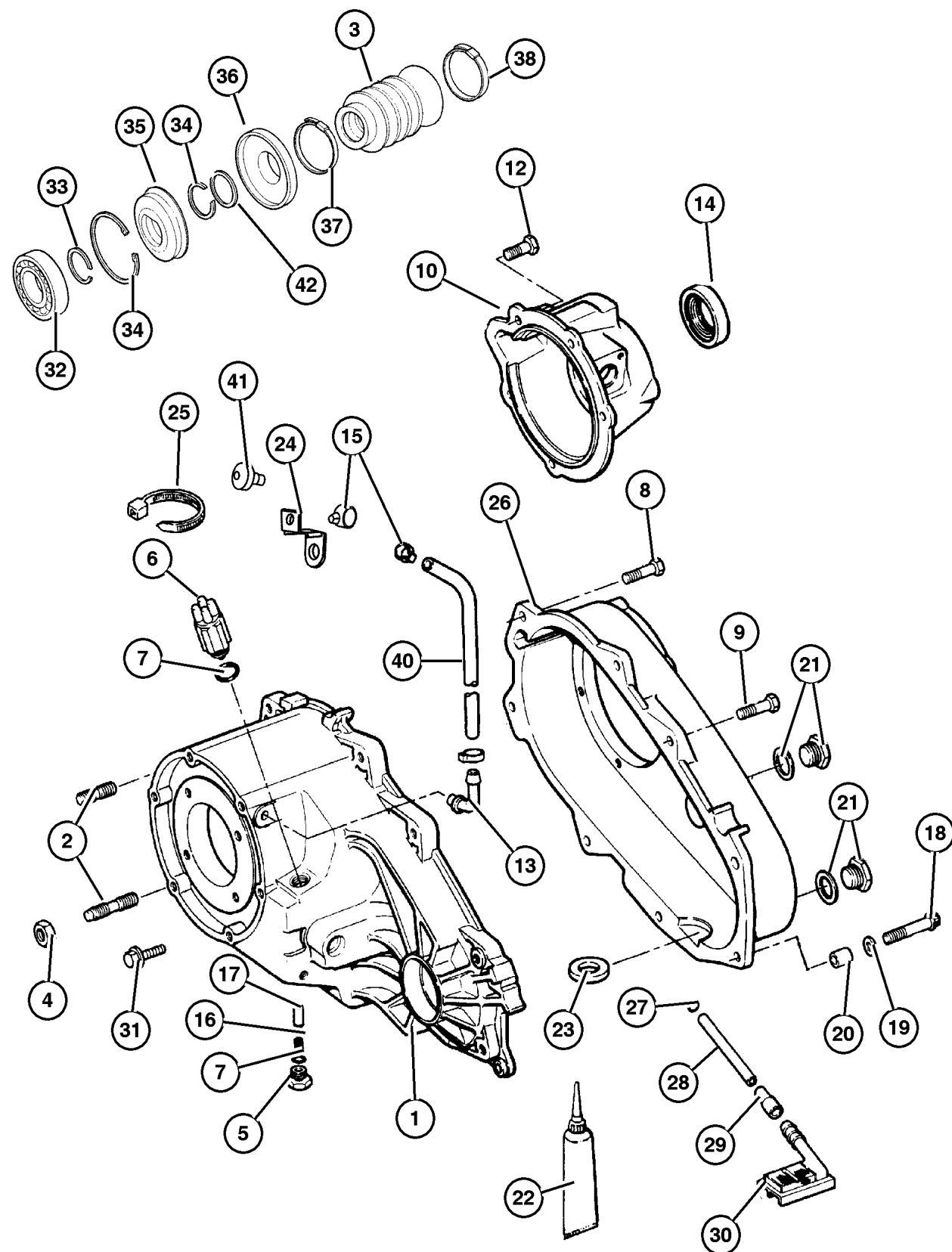
ENGINE  
ED1, ED0 = 2.4L DOHC  
ERH = 4.0L Power Tech

TRANSMISSION  
DGG, DGD = 32RH 3 Spd Auto  
DDD = 5 Speed HD Manual  
DG0 = Auto. Trans.  
DBB = Manual Trans.  
DDK = 5 Speed Manual

AR = Use as required - = Non illustrated part # = New this model year

September 29, 2003

Case & Related Parts, Command Trac [DHN]  
Figure 231-210



ITEM	PART NUMBER	QTY	LINE	SERIES	BODY	ENGINE	TRANS	TRIM	DESCRIPTION
							DDK,		
		2					DG0		
21	4856 641	1					DDK,		PLUG, Oil Fill
							DG0		
22	5010 884AA	1					DDD		SEALANT, RTV
							DDD		
		1					DDK,		
		1					DG0		MAGNET, Transmission
23	3681 601	1					DDD		
							DDK,		
		1					DG0		
24	5209 8522	1				ED0			BRACKET, Tube
25	4641 780	1							STRAP, Tie
26	4886 222AA	1							CASE, Transfer Rear
		1					DDD		
		1					DDK,		
		1					DG0		SEAL, Oil
27	4338 942	1					DDD		
		1					DDK,		
		1					DG0		TUBE, Oil Pickup
28	4338 941	1					DDD		
		1					DDK,		
		1					DG0		CONNECTOR, Oil Tube Pickup
29	4338 944	1					DDD		
		1					DDK,		
		1					DG0		FILTER, Transfer Case Oil
30	4338 943	1					DDD		
		1					DDK,		
		1					DG0		CLAMP, Boot
31	4798 122	1					DDD		
		1					DDK,		
		1					DG0		BEARING

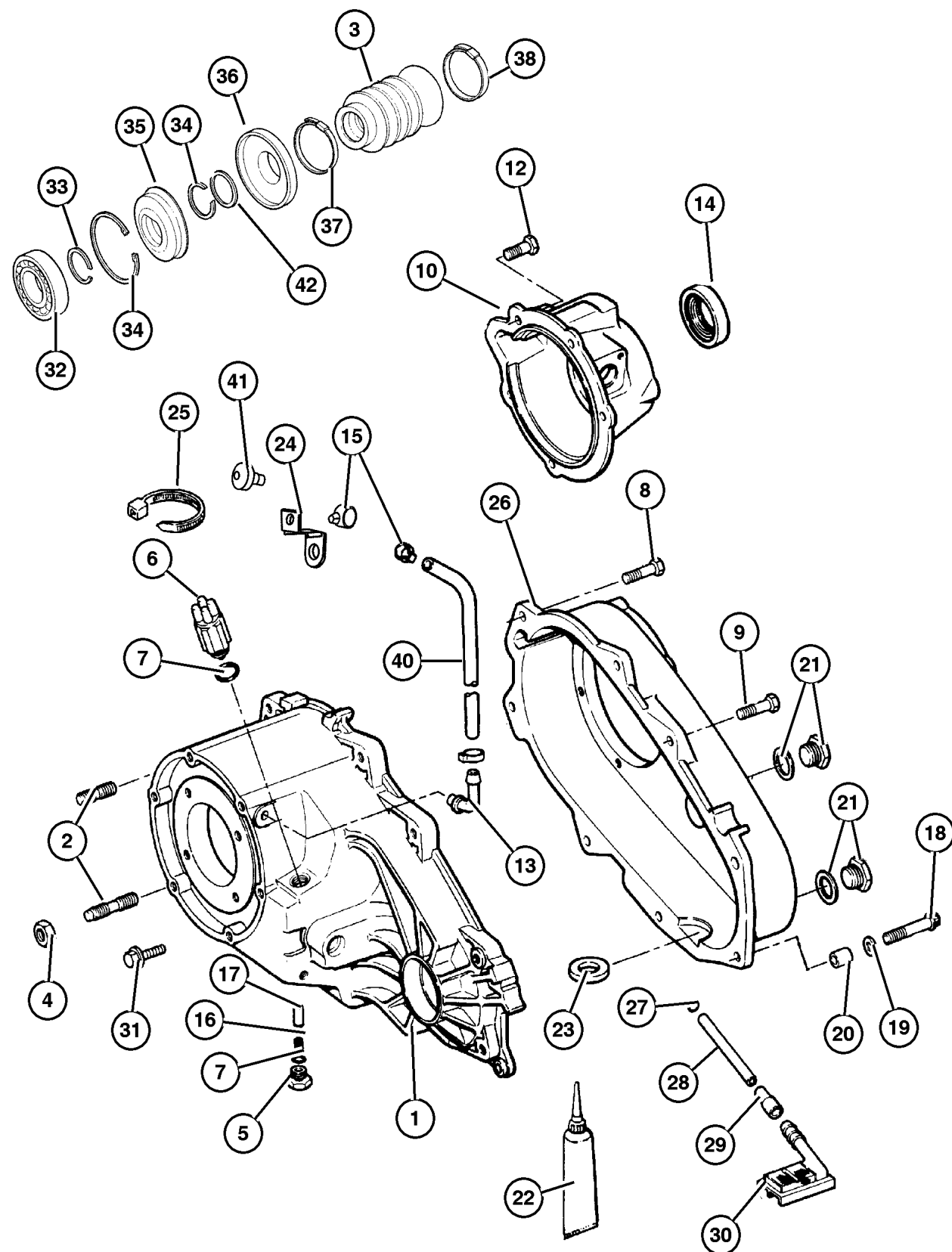
JEEP WRANGLER (TJ)

SERIES	LINE	BODY	ENGINE	TRANSMISSION
H = Sport	J = Wrangler 4WD	77 = 93.4 WB	ED1, ED0 = 2.4L DOHC	DGG, DGD = 32RH 3 Spd Auto
L = SE	U = Wrangler 4WD (RHD)		ERH = 4.0L Power Tech	DDD = 5 Speed HD Manual
M = X				DG0 = Auto. Trans.
P = Sahara				DBB = Manual Trans.
S = Rubicon				DDK = 5 Speed Manual

AR = Use as required - = Non illustrated part # = New this model year

September 29, 2003

Case & Related Parts, Command Trac [DHN]  
Figure 231-210



ITEM	PART NUMBER	QTY	LINE	SERIES	BODY	ENGINE	TRANS	TRIM	DESCRIPTION
	4338 892	1					DDD		
33		1					DDK, DG0		SNAP RING
	4798 116	1					DDD		
34		1					DDK, DG0		SNAP RING
	J813 4488	1					DDD		
35		1					DDK, DG0		SEAL, Output Shaft
	4798 117	1					DDD		
36	5016 615AA	1					DDK, DG0		SLINGER, Oil
37		1					DDD		CLAMP, Boot
	4798 122	1					DDK, DG0		
38		1					DDD		CLAMP, Boot
	5017 823AA	1					DDK, DG0		
-39	5017 819AA	1					DDD		DAMPER, Transfer Case
40	52105 882AA	1							VENT, Transfer Case, Transfer Case Vent Hose To Breather Tube
41	4213 328	1							VENT, Cap
42		1					DDD		WASHER, Flat
	S243 6163	1					DDK, DG0		

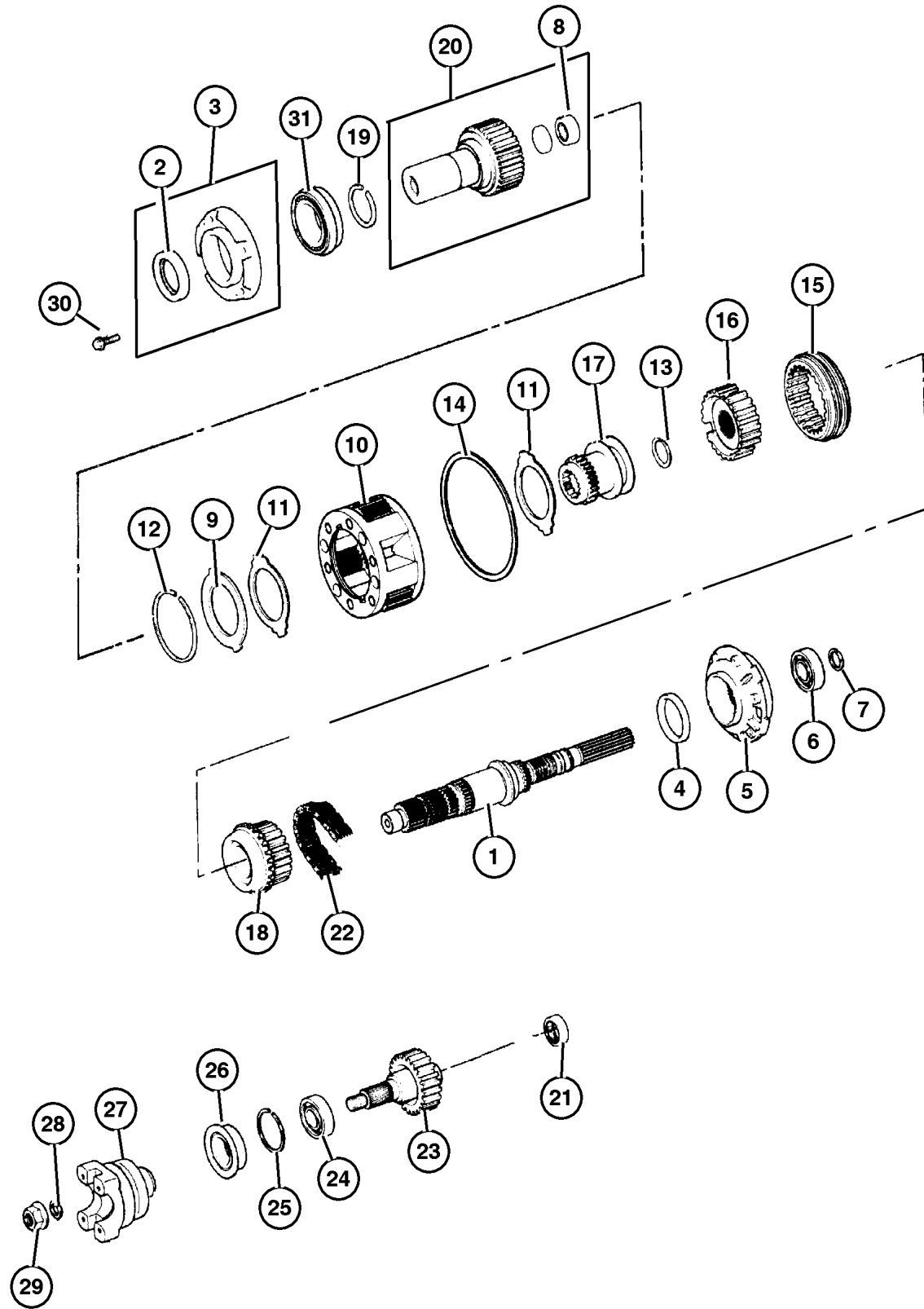
JEEP WRANGLER (TJ)

SERIES	LINE	BODY	ENGINE	TRANSMISSION
H = Sport	J = Wrangler 4WD	77 = 93.4 WB	ED1, ED0 = 2.4L DOHC	DGG, DGD = 32RH 3 Spd Auto
L = SE	U = Wrangler 4WD (RHD)		ERH = 4.0L Power Tech	DDD = 5 Speed HD Manual
M = X				DG0 = Auto. Trans.
P = Sahara				DBB = Manual Trans.
S = Rubicon				DDK = 5 Speed Manual

AR = Use as required - = Non illustrated part # = New this model year

September 29, 2003

**Gear Train, Command Trac [DHN]  
Figure 231-410**



ITEM	PART NUMBER	QTY	LINE	SERIES	BODY	ENGINE	TRANS	TRIM	DESCRIPTION
NOTE; Sales Code									
[DDD] = 5 Speed Heavy Duty Manual Transmission									
[DDK]= 5 Speed Heavy Duty Manual Transmission									
1	5017 631AA	1					DDK,		MAINSHAFT, Transfer Case
2	5086 384AA	1					DG0		SEAL, Input Gear
3	5019 020AA	1					DDK,		EXTENSION, Transfer Case
4	4338 973	1					DG0		SEAL, Main Shaft
5	4338 936	1					DDK,		PUMP, Transfer Case Oil
6	4338 892	1					DG0		BEARING
7	J813 4488	1					DDK,		SNAP RING
8	8350 3507	1					DG0		BEARING, Input Shaft
9	4338 909	1					DDK,		RING
10	4796 903AB	1					DG0		PLANETARY, Transfer Case

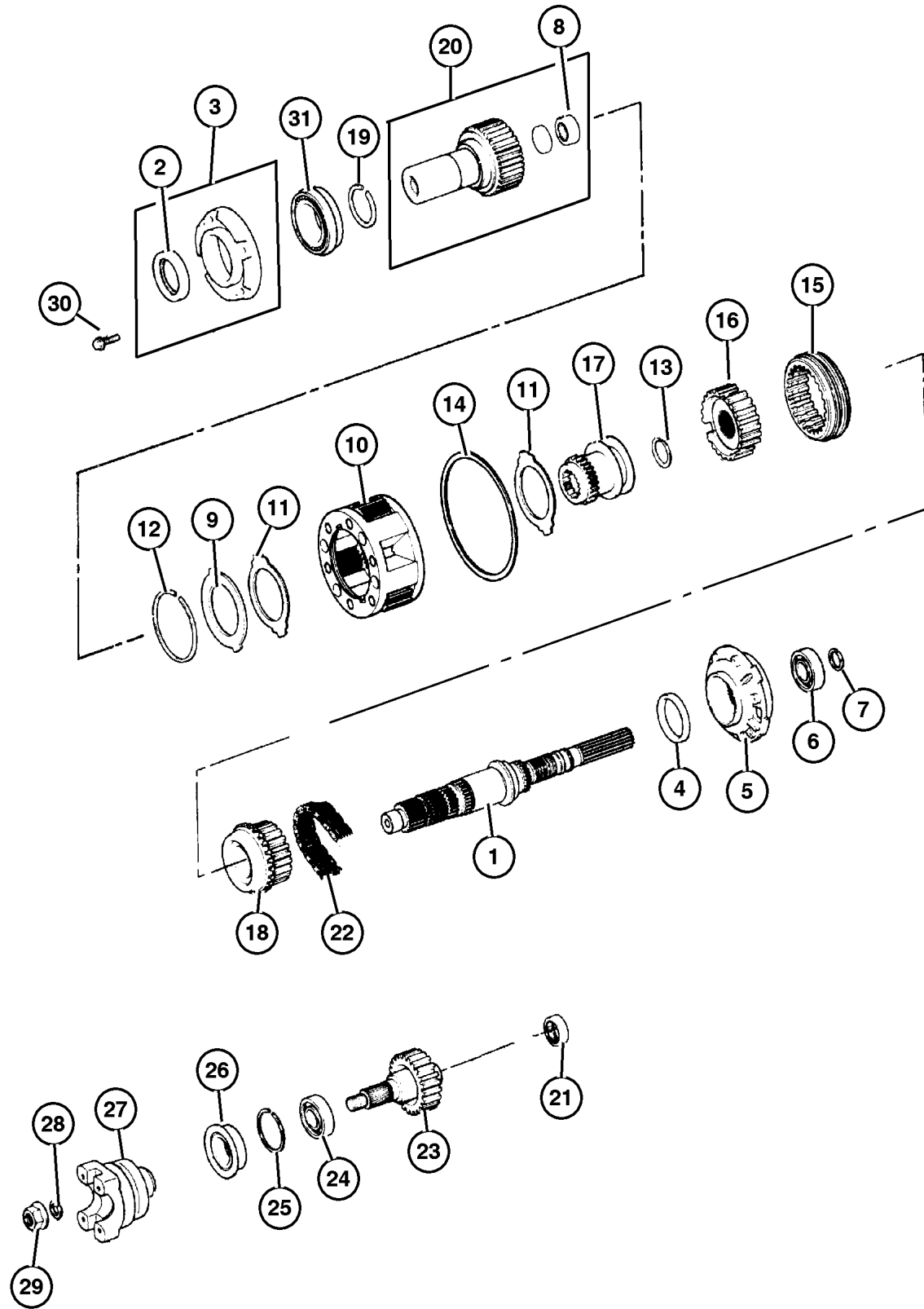
**JEEP WRANGLER (TJ)**

SERIES	LINE	BODY	ENGINE	TRANSMISSION
H = Sport	J = Wrangler 4WD	77 = 93.4 WB	ED1, ED0 = 2.4L DOHC	DGG, DGD = 32RH 3 Spd Auto
L = SE	U = Wrangler 4WD (RHD)		ERH = 4.0L Power Tech	DDD = 5 Speed HD Manual
M = X				DG0 = Auto. Trans.
P = Sahara				DBB = Manual Trans.
S = Rubicon				DDK = 5 Speed Manual

AR = Use as required - = Non illustrated part # = New this model year

September 29, 2003

**Gear Train, Command Trac [DHN]  
Figure 231-410**



ITEM	PART NUMBER	QTY	LINE	SERIES	BODY	ENGINE	TRANS	TRIM	DESCRIPTION
		1					DDK,		
11							DG0		THRUST WASHER, Planetary Carrier
	4338 908	1					DDK,		
		1					DG0		
12							DDD		SNAP RING
	4338 910	1					DDD		
		1					DDK,		
13							DG0		SNAP RING
	4338 933	1					DDD		
		1					DDK,		
14							DG0		SNAP RING, Annulus Gear
	4219 065	1					DDD		
		1					DDK,		
15							DG0		SLEEVE, Mode Synchronizer
	4796 909	1					DDD		
		1					DDK,		
16							DG0		HUB, Synchronizer Mode
	4741 240	1					DDD		
		1					DDK,		
17							DG0		SLEEVE, Range Fork
	4897 955AA	1					DDD		
		1					DDK,		
18							DG0		SPROCKET, Transfer Case
	4796 908	1					DDD		
		1					DDK,		
19							DG0		SNAP RING
	3821 558	1					DDD		
		1					DDK,		
20							DG0		GEAR, Input
	4897 953AA	1					DDD		

**JEEP WRANGLER (TJ)**

SERIES  
H = Sport  
L = SE  
M = X  
P = Sahara  
S = Rubicon

LINE  
J = Wrangler 4WD  
U = Wrangler 4WD (RHD)

BODY  
77 = 93.4 WB

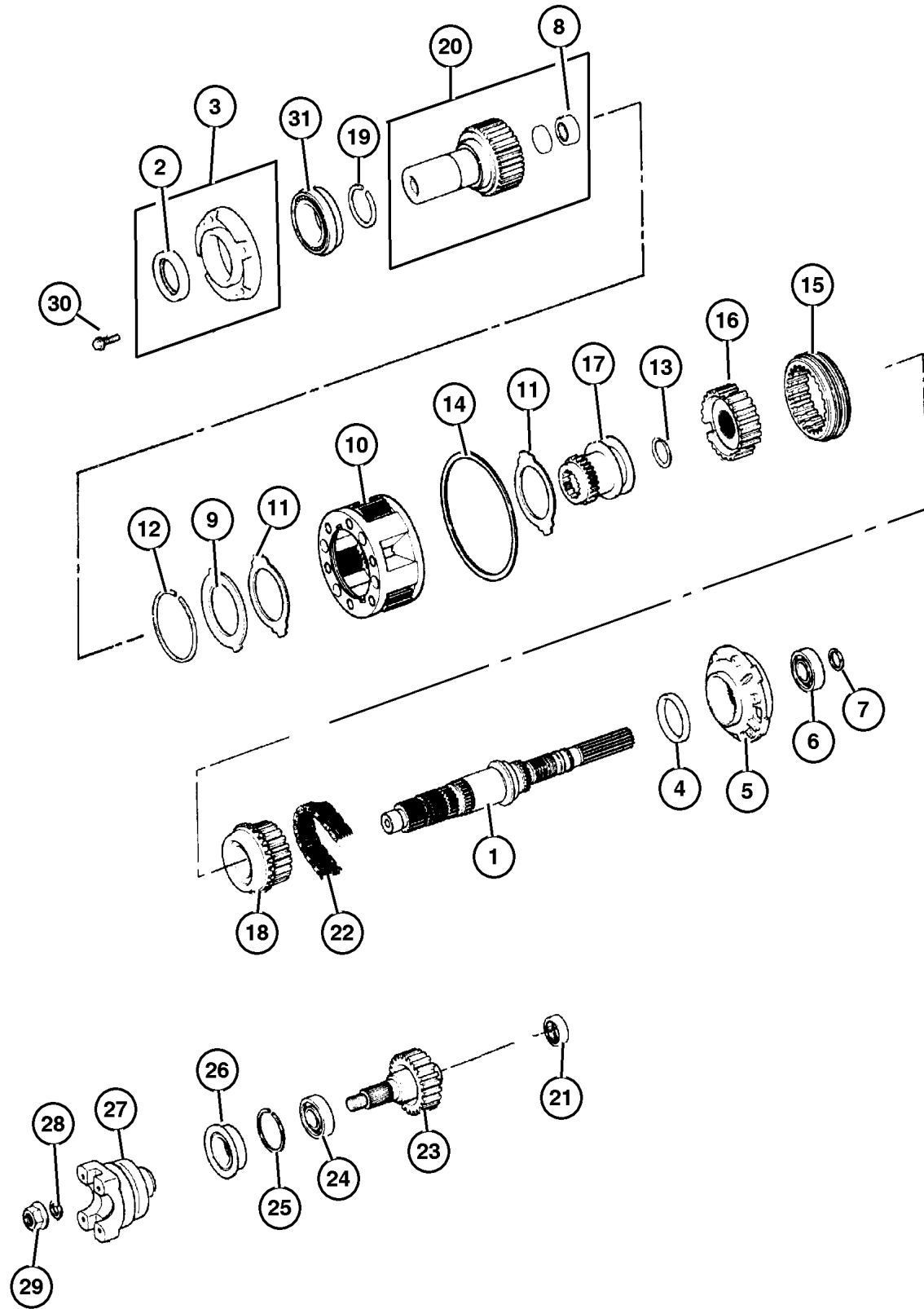
ENGINE  
ED1, ED0 = 2.4L DOHC  
ERH = 4.0L Power Tech

TRANSMISSION  
DGG, DGD = 32RH 3 Spd Auto  
DDD = 5 Speed HD Manual  
DG0 = Auto. Trans.  
DBB = Manual Trans.  
DDK = 5 Speed Manual

AR = Use as required - = Non illustrated part # = New this model year

September 29, 2003

**Gear Train, Command Trac [DHN]  
Figure 231-410**



ITEM	PART NUMBER	QTY	LINE	SERIES	BODY	ENGINE	TRANS	TRIM	DESCRIPTION
		1					DDK,		
21	4269 189	1					DG0		BEARING, Output Shaft
		1					DDD		
22	4338 935	1					DDK,		CHAIN, Transfer Case
		1					DG0		
23	4338 934	1					DDD		OUTPUT SHAFT, Transfer Case
		1					DDK,		
24	4338 892	1					DG0		BEARING
		1					DDD		
25	4338 894	1					DDK,		SNAP RING, Bearing
		1					DG0		
26	4798 112	1					DDD		SEAL
		1					DDK,		
27	4798 120	1					DG0		YOKE, Transfer Case Output
		1					DDD		
28	4446 487	1					DDK,		WASHER, Flat
		1					DG0		
29	4446 488	1					DDD		NUT, Hex Flange
		1					DDK,		
30	6500 318	4					DG0		BOLT
							DDD		

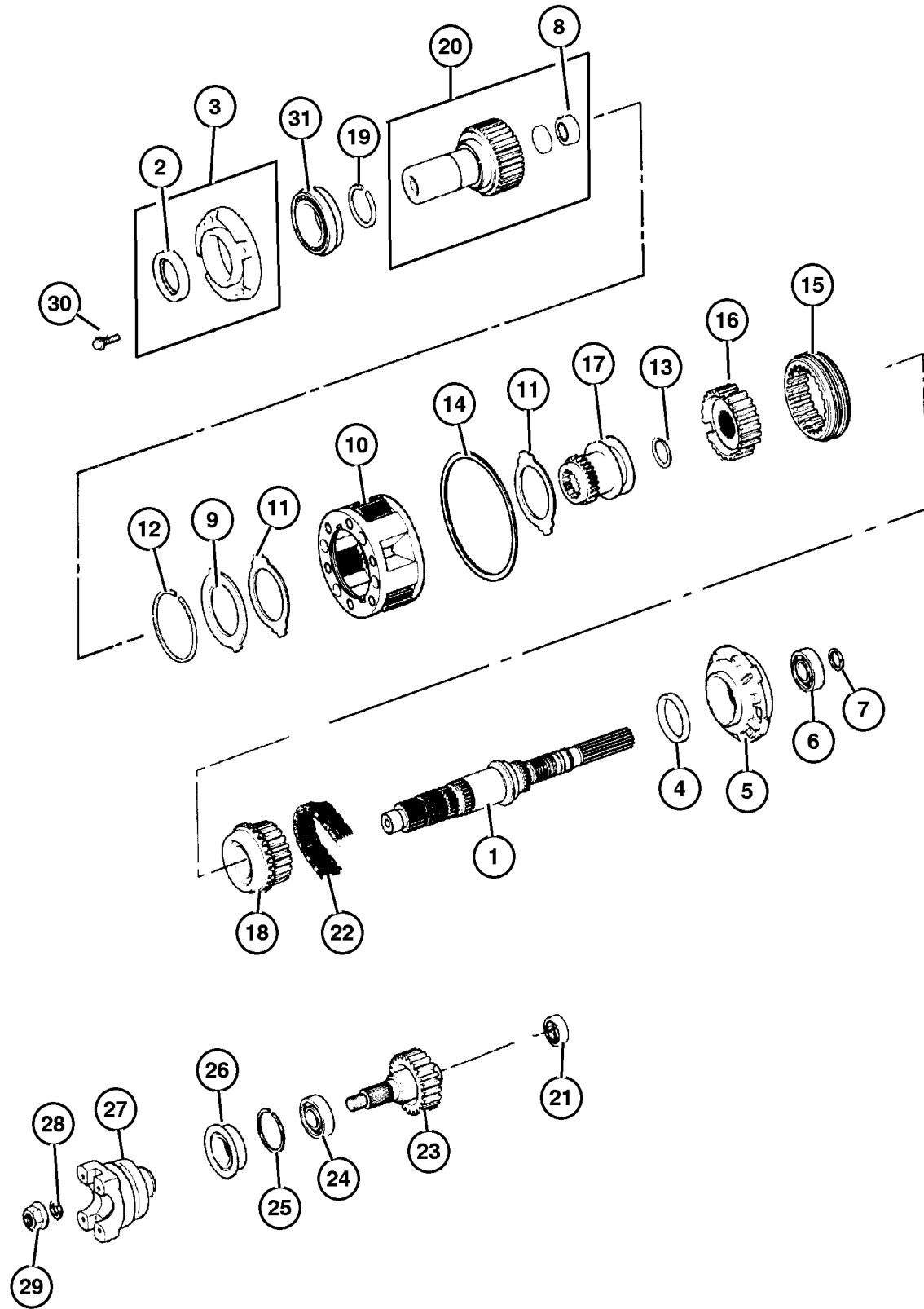
**JEEP WRANGLER (TJ)**

SERIES	LINE	BODY	ENGINE	TRANSMISSION
H = Sport	J = Wrangler 4WD	77 = 93.4 WB	ED1, ED0 = 2.4L DOHC	DGG, DGD = 32RH 3 Spd Auto
L = SE	U = Wrangler 4WD (RHD)		ERH = 4.0L Power Tech	DDD = 5 Speed HD Manual
M = X				DG0 = Auto. Trans.
P = Sahara				DBB = Manual Trans.
S = Rubicon				DDK = 5 Speed Manual

AR = Use as required - = Non illustrated part # = New this model year

September 29, 2003

# Gear Train, Command Trac [DHN] Figure 231-410



ITEM	PART NUMBER	QTY	LINE	SERIES	BODY	ENGINE	TRANS	TRIM	DESCRIPTION
		4					DDK,		
							DG0		
31	4746 155	1					DDD		BEARING, Input Gear
		1					DDK,		
							DG0		

**JEEP WRANGLER (TJ)**

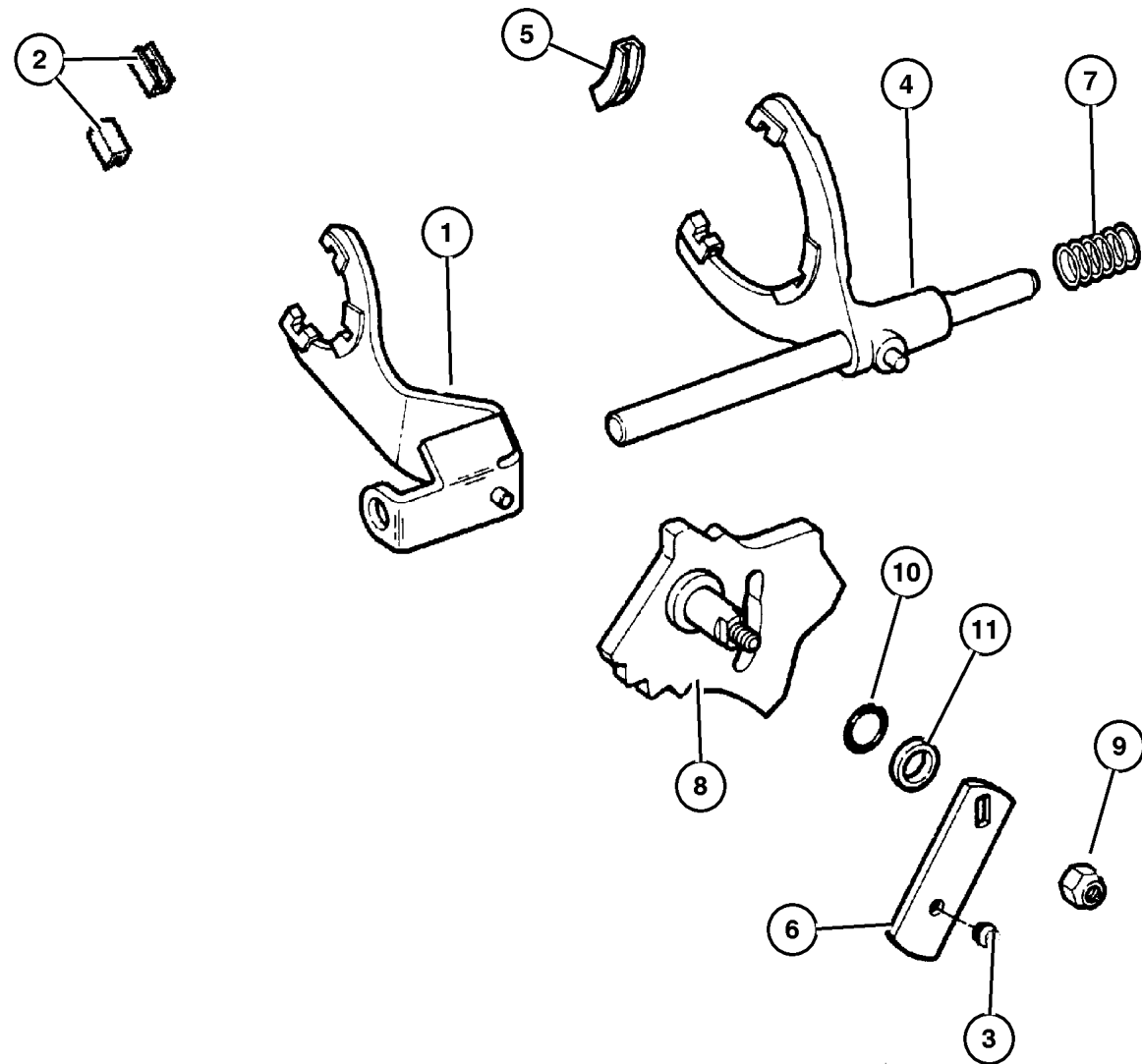
SERIES	LINE	BODY	ENGINE	TRANSMISSION
H = Sport	J = Wrangler 4WD	77 = 93.4 WB	ED1, ED0 = 2.4L DOHC	DGG, DGD = 32RH 3 Spd Auto
L = SE	U = Wrangler 4WD (RHD)		ERH = 4.0L Power Tech	DDD = 5 Speed HD Manual
M = X				DG0 = Auto. Trans.
P = Sahara				DBB = Manual Trans.
S = Rubicon				DDK = 5 Speed Manual

AR = Use as required - = Non illustrated part # = New this model year

September 29, 2003



Forks & Rails, Command Trac [DHN]  
Figure 231-910



ITEM	PART NUMBER	QTY	LINE	SERIES	BODY	ENGINE	TRANS	TRIM	DESCRIPTION
NOTE; Sales Code									
[DDD] = 5 Speed Heavy Duty Manual Transmission									
[DDK]= 5 Speed Heavy Duty Manual Transmission									
[DG0]=All Automatic Transmissions									
1									FORK, Range
	4798 136	1					DDD		
		1					DDK,		
							DG0		
2									PAD, Shift Fork
	4167 969	2					DDD		
		2					DDK,		
							DG0		
3									BUSHING, Shift Lever
	5300 4810	1					DDK,		
							DG0		
							DDD		
4									FORK, Transfer Case Mode Shift
	4741 237	1					DDD		
		1					DDK,		
							DG0		
5									PAD, Shift Fork
	4219 073	1					DDD		
		1					DDK,		
							DG0		
6									LEVER, Selector
	#5086 382AB	1					DDD		
		1					DDK,		
							DG0		
7									SPRING, Mode Shift Rail
	4338 925	1					DDD		
		1					DDK,		
							DG0		
8									SECTOR, Transfer Case
	4638 845	1					DDD		
		1					DDK,		
							DG0		
9									NUT
	6030 310	1					DDD		
		1					DDK,		
							DG0		
10									SEAL, O-Ring

JEEP WRANGLER (TJ)

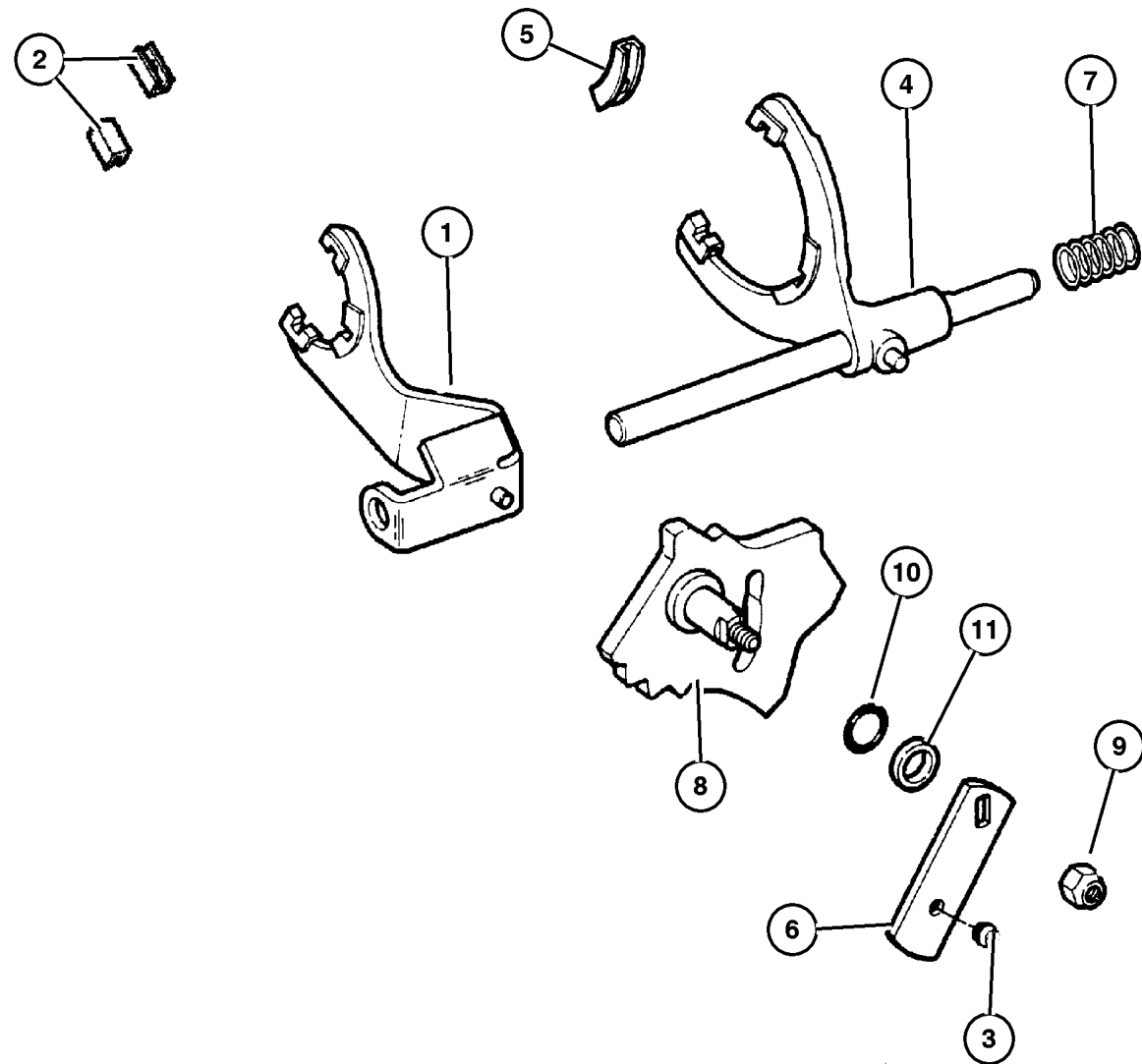
SERIES	LINE	BODY	ENGINE	TRANSMISSION
H = Sport	J = Wrangler 4WD	77 = 93.4 WB	ED1, ED0 = 2.4L DOHC	DGG, DGD = 32RH 3 Spd Auto
L = SE	U = Wrangler 4WD (RHD)		ERH = 4.0L Power Tech	DDD = 5 Speed HD Manual
M = X				DG0 = Auto. Trans.
P = Sahara				DBB = Manual Trans.
S = Rubicon				DDK = 5 Speed Manual

AR = Use as required - = Non illustrated part # = New this model year

September 29, 2003

Forks & Rails, Command Trac [DHN]  
Figure 231-910

ITEM	PART NUMBER	QTY	LINE	SERIES	BODY	ENGINE	TRANS	TRIM	DESCRIPTION
	4167 963	1					DDD		
		1					DDK, DG0		
11	4167 964	1					DDD		SEAL, O-Ring
		1					DDK, DG0		



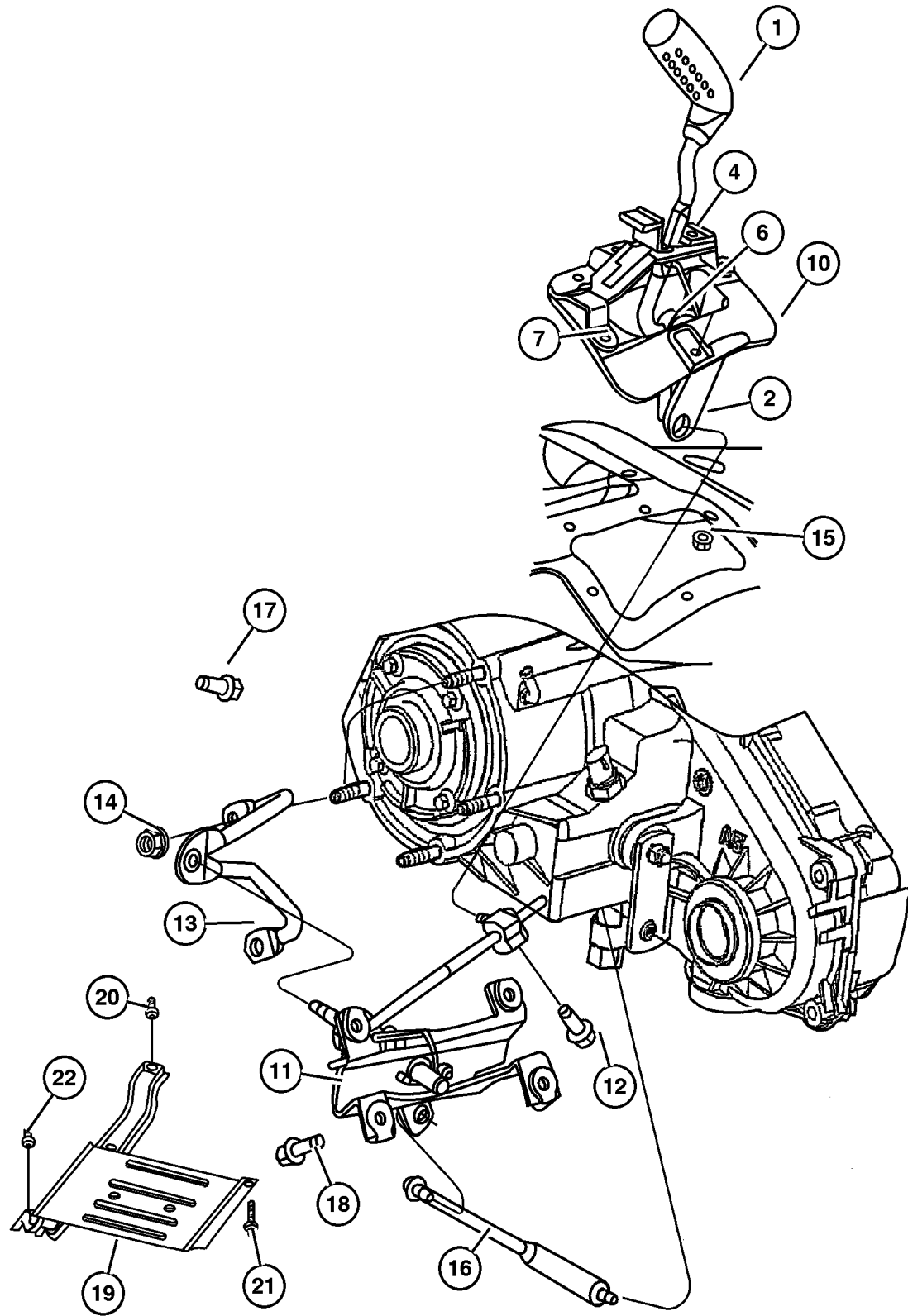
**JEEP WRANGLER (TJ)**

SERIES	LINE	BODY	ENGINE	TRANSMISSION
H = Sport	J = Wrangler 4WD	77 = 93.4 WB	ED1, ED0 = 2.4L DOHC	DGG, DGD = 32RH 3 Spd Auto
L = SE	U = Wrangler 4WD (RHD)		ERH = 4.0L Power Tech	DDD = 5 Speed HD Manual
M = X				DG0 = Auto. Trans.
P = Sahara				DBB = Manual Trans.
S = Rubicon				DDK = 5 Speed Manual

AR = Use as required - = Non illustrated part # = New this model year

September 29, 2003

**Gearshift Controls, Command Trac [DHN]  
Figure 231-1210**



ITEM	PART NUMBER	QTY	LINE	SERIES	BODY	ENGINE	TRANS	TRIM	DESCRIPTION
------	-------------	-----	------	--------	------	--------	-------	------	-------------

NOTE: Sales Codes:

- [DBB]=All Manual Transmissions
- [DG0]=All Automatic Transmissions
- [DG6]= 4 Speed Automatic Transmission [42RLE]
- [ED0]=All 2.2,2.4,2.5 L 4 Cylinder Gas Engines
- [EP0]=All 2.5L 4 Cylinder Engines
- [ER0]=All 4.0L 6 Cylinder Engines

1	52104 080AD	1	J						SHIFTER, Transfer Case
2	52104 081AD	1	U						LEVER, Transfer Case Shifter
	53005 150AB	1	J						
-3	3575 333	1	J						GROMMET
		1	U						
4	5207 7671	1	J						FASTENER, Push On
		1	U						
-5	J369 3058	1	J						STRAP, Retaining
		1	U						
6	J400 6723	1	J						PIN, Cotter
		1	U						
7	6100 839	2	J						NUT, Push, M5
		2	U						
-8	1150 5389	1	J						SNAP RING
		1	U						
-9	5300 0639	2	J						BUSHING, Shift Control
		2	U						
10	5300 1284	1	J						HOUSING, Shift Lever
		1	U						
11	#52109 580AD	1							BRACKET, Torque Shaft
12	J941 9683	1							BOLT, Hex Flange Head, .312-18x.625
13									ROD, Torque Shaft

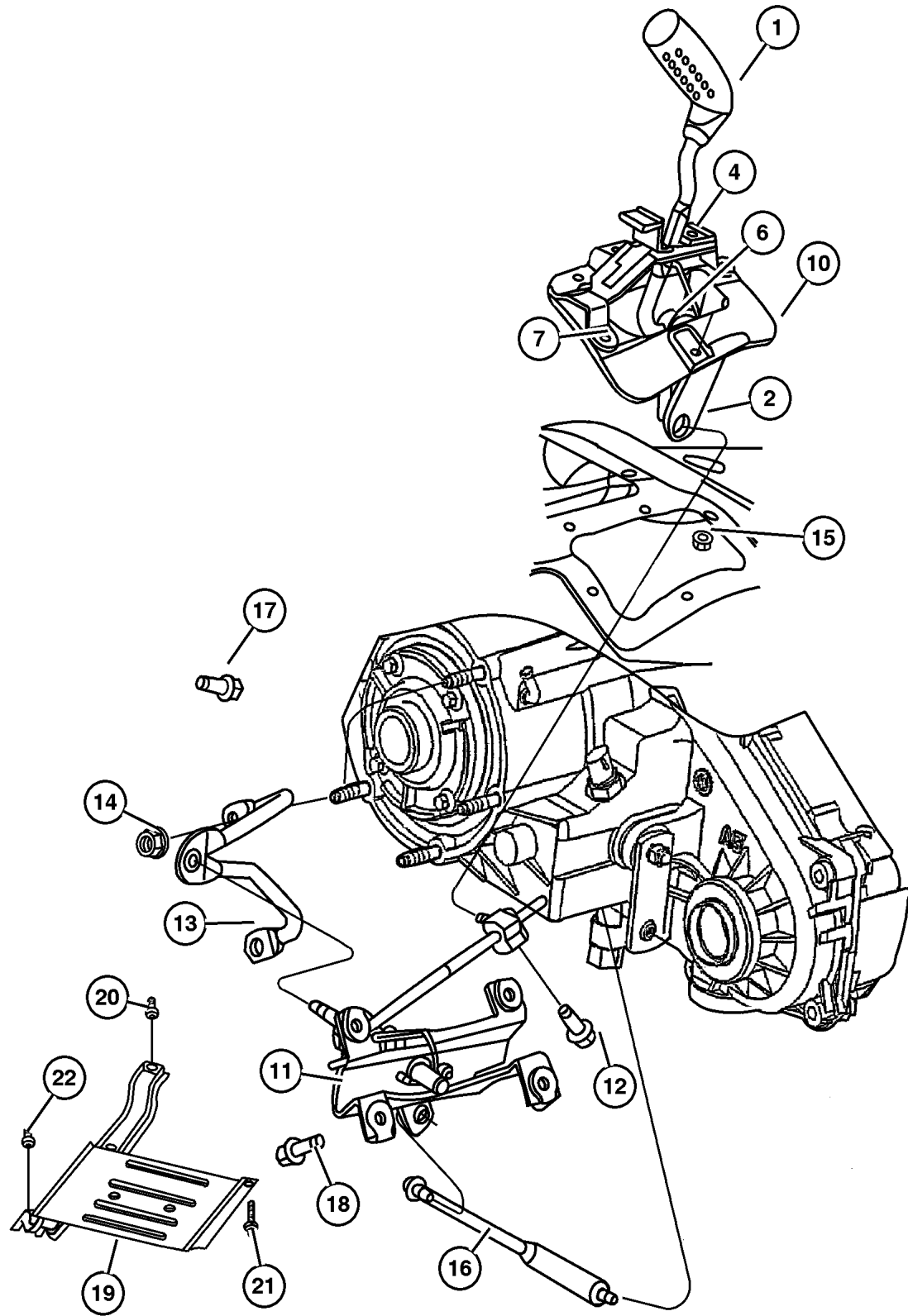
**JEEP WRANGLER (TJ)**

SERIES	LINE	BODY	ENGINE	TRANSMISSION
H = Sport	J = Wrangler 4WD	77 = 93.4 WB	ED1, ED0 = 2.4L DOHC	DGG, DGD = 32RH 3 Spd Auto
L = SE	U = Wrangler 4WD (RHD)		ERH = 4.0L Power Tech	DDD = 5 Speed HD Manual
M = X				DG0 = Auto. Trans.
P = Sahara				DBB = Manual Trans.
S = Rubicon				DDK = 5 Speed Manual

AR = Use as required - = Non illustrated part # = New this model year

September 29, 2003

**Gearshift Controls, Command Trac [DHN]  
Figure 231-1210**



ITEM	PART NUMBER	QTY	LINE	SERIES	BODY	ENGINE	TRANS	TRIM	DESCRIPTION
	#52109 743AA	1				ED0	DBB		
	#52109 744AA	1				ED0	DG6		
	#52109 745AA	1				ER0			
14									NUT AND CONED WASHER, Hex, .375-24
	J400 6681	6				ED0	DD0		
		6				ED0	DG0		
		6				ER0			
15	6504 601	5							NUT, Rivet Round, M5x0.80x11.09
16									ROD, Gear Shift Control, Transfer Case
	#52104 918AD	1				ED0	DBB		
	#52109 918AB	1				ED0	DG0		
	#52078 904AC	1				ER0			
17	6101 503	2				ED0	DG6		SCREW AND WASHER, Hex Head, M10x1.5x25
18	6503 811	4							BOLT, Hex Head, M6x1.00x20.00
19	#52059 506AA	1					DG6		SKID PLATE, Front
20	6504 825AA	2					DG6		SCREW
21	6503 692	2					DG6		SCREW, M8-1.25
22	#6506 629AA	2					DG6		NUT, Rivet

**JEEP WRANGLER (TJ)**

SERIES	LINE	BODY	ENGINE	TRANSMISSION
H = Sport	J = Wrangler 4WD	77 = 93.4 WB	ED1, ED0 = 2.4L DOHC	DGG, DGD = 32RH 3 Spd Auto
L = SE	U = Wrangler 4WD (RHD)		ERH = 4.0L Power Tech	DDD = 5 Speed HD Manual
M = X				DG0 = Auto. Trans.
P = Sahara				DBB = Manual Trans.
S = Rubicon				DDK = 5 Speed Manual

AR = Use as required - = Non illustrated part # = New this model year

September 29, 2003

# Group – 241

## Transfer Case Model 241

### GROUP 241 - Transfer Case Model 241

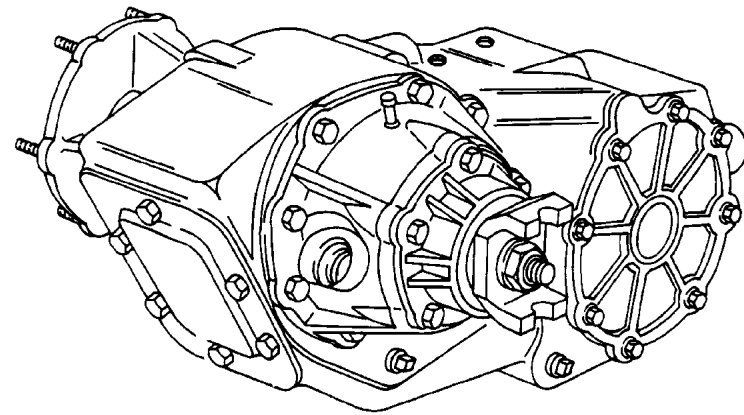


Illustration Title

Group-Fig. No.

#### Transfer Case Assembly

Transfer Case [DHW] ..... Fig. 241-110

#### Case and Related Parts

Case Transfer & Related Parts [DHW] ..... Fig. 241-210

#### Gear Train

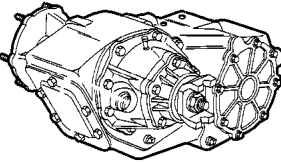
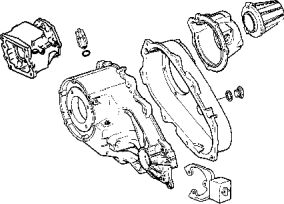
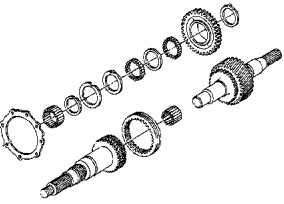
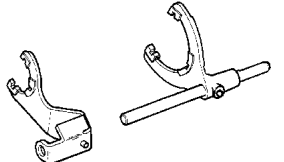
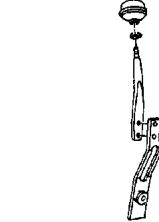
Gear Train [DHW] ..... Fig. 241-410

#### Fork and Rails

Forks [DHW] ..... Fig. 241-910

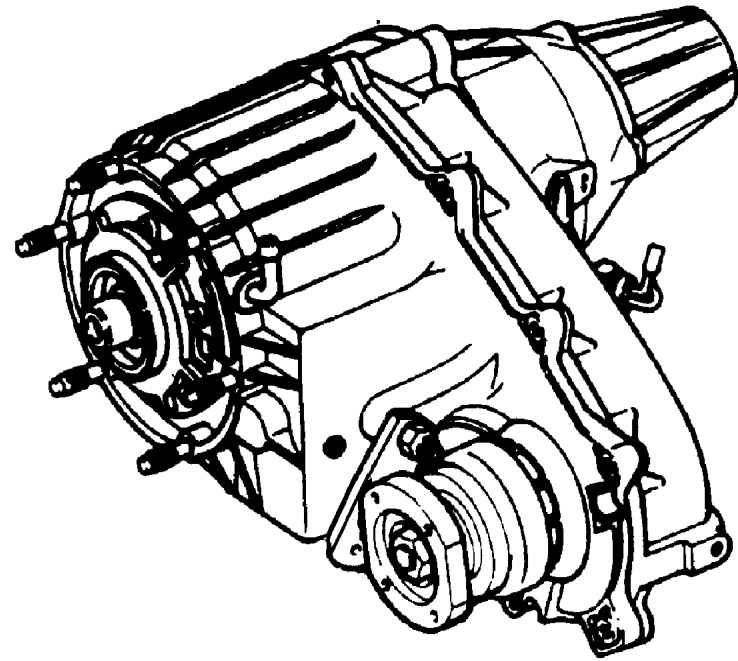
#### Gearshift Controls

Controls [DHW] ..... Fig. 241-1210

<p><b>241-100</b> Transfer Case Assembly</p> 	<p><b>241-200</b> Case and Related Parts</p> 	<p><b>241-400</b> Gear Train</p> 	<p><b>241-900</b> Fork and Rails</p> 
<p><b>241-1200</b> Gearshift Controls</p> 			

Transfer Case [DHW]  
Figure 241-110

ITEM	PART NUMBER	QTY	LINE	SERIES	BODY	ENGINE	TRANS	TRIM	DESCRIPTION
-1	#52111 013AC	1							TRANSFER CASE, NP241

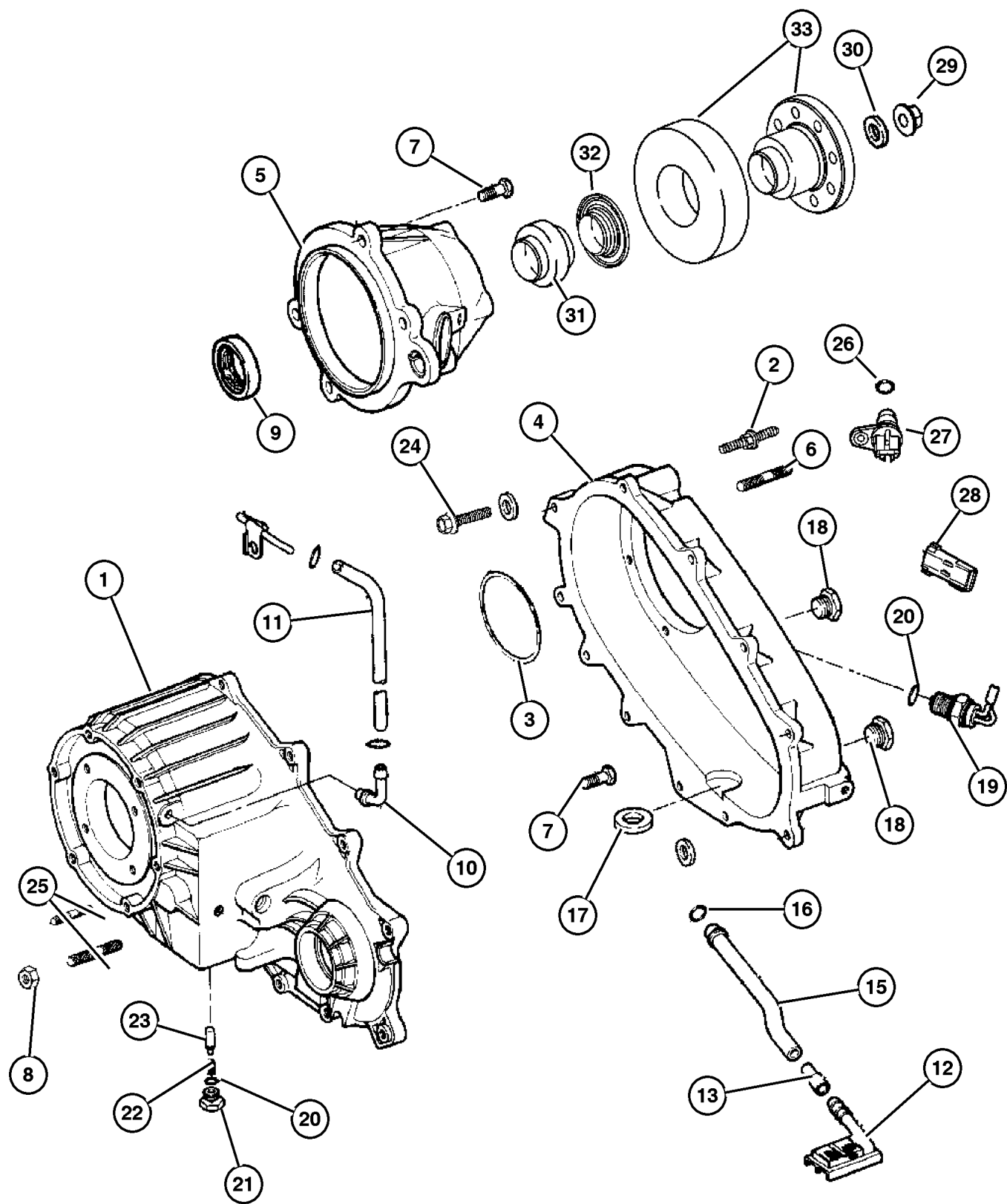


<b>JEEP WRANGLER (TJ)</b>				
SERIES	LINE	BODY	ENGINE	TRANSMISSION
H = Sport	J = Wrangler 4WD	77 = 93.4 WB	ED1, ED0 = 2.4L DOHC	DGG, DGD = 32RH 3 Spd Auto
L = SE	U = Wrangler 4WD (RHD)		ERH = 4.0L Power Tech	DDD = 5 Speed HD Manual
M = X				DG0 = Auto. Trans.
P = Sahara				DBB = Manual Trans.
S = Rubicon				DDK = 5 Speed Manual

AR = Use as required - = Non illustrated part # = New this model year

September 29, 2003

**Case Transfer & Related Parts [DHW]  
Figure 241-210**



ITEM	PART NUMBER	QTY	LINE	SERIES	BODY	ENGINE	TRANS	TRIM	DESCRIPTION
1	#5093 577AA	1							CASE, Transfer Front
2	5080 859AA	1							BOLT, Hex Flange Head
3	#5093 595AA	1							PLANETARY, Transfer Case
4	#5093 603AA	1							CASE, Transfer Rear
5	#5093 606AA	1							RETAINER, Transfer Case Rear
6	5013 013AA	17							BOLT, Hex Flange Head
7	6501 371	18							BOLT, Retainer
8									NUT AND CONED WASHER, Hex, .375-24
	J400 6681	6				ED0	DD0		
		6				ED0	DG0		
		6				ER0			
9	5013 019AA	1							SEAL, Output Shaft
10	4796 910	1							VENT, Transfer Case
11	HFV00 516AB	1							HOSE, Fuel And Vapor, 25 Foot Roll 5/16"
12	5012 326AA	1							FILTER, Transfer Case Oil
13	5012 327AA	1							CONNECTOR, Oil Tube Pickup
-14	#5101 858AA	1							BOLT, Retainer
15	5080 223AA	1							TUBE, Oil Pickup
16	5013 016AB	1							SEAL, Transfer Case
17	5080 218AA	1							MAGNET
18	4856 641	2							PLUG, Oil Fill
19	5083 138AA	1							SWITCH, Transfer Case, 5 Position
20	4338 956	1							SEAL, Vacuum Switch
21	4886 473AA	1							SCREW
22	5003 445AA	1							SPRING, Poppet Plunger
23	5003 444AA	1							PLUNGER
24	5222 757	4							DOWEL
25	4746 253	6							STUD
26	#5093 610AA	1							SENSOR, Speed
27	#5093 612AA	1							SEAL
28	#5093 611AA	1							BRACKET
29	4167 924	1							NUT, Transfer Case Yoke
30	4210 973	1							WASHER, Transfer Case Yoke
31	#5093 614AA	1							TONE RING, Sensor
32	#5093 605AA	1							SLEEVE, Wear
33	#5093 604AA	1							YOKE, Transfer Case Output

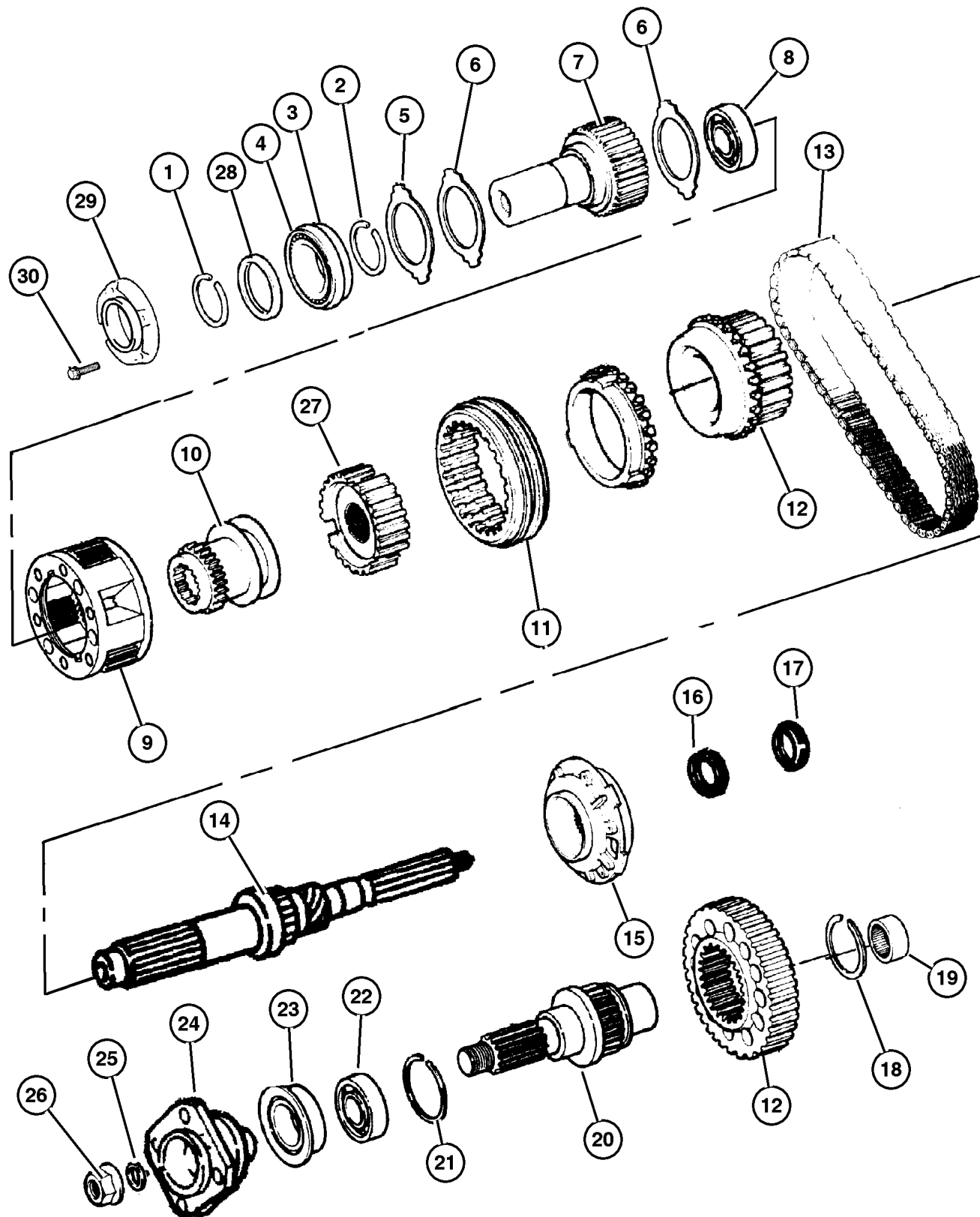
**JEEP WRANGLER (TJ)**

SERIES	LINE	BODY	ENGINE	TRANSMISSION
H = Sport	J = Wrangler 4WD	77 = 93.4 WB	ED1, ED0 = 2.4L DOHC	DGG, DGD = 32RH 3 Spd Auto
L = SE	U = Wrangler 4WD (RHD)		ERH = 4.0L Power Tech	DDD = 5 Speed HD Manual
M = X				DG0 = Auto. Trans.
P = Sahara				DBB = Manual Trans.
S = Rubicon				DDK = 5 Speed Manual

AR = Use as required - = Non illustrated part # = New this model year

September 29, 2003

**Gear Train [DHW]  
Figure 241-410**



ITEM	PART NUMBER	QTY	LINE	SERIES	BODY	ENGINE	TRANS	TRIM	DESCRIPTION
1	5072 460AA	1							SNAP RING
2	3821 558	1							SNAP RING
3	5072 458AA	1							BEARING, Input Gear
4	4746 127	1							BEARING, Input Shaft
5	5072 460AA	1							SNAP RING
6	#5093 593AA	1							THRUST WASHER, Planetary Carrier
7	#5101 990AA	1							GEAR, Input
8	4897 981AA	1							BEARING, Output Shaft
9	#5101 991AA	1							PLANETARY, Transfer Case
10	#5093 600AA	1							SLEEVE, Shift Range
11	5080 207AA	1							SLEEVE, Mode Synchronizer
12	5080 201AA	2							52111013AD SPROCKET, Transfer Case
13	5080 215AA	1							CHAIN, Transfer Case
14	#5093 601AA	1							MAINSHAFT, Transfer Case
15	#5101 878AA	1							HOUSING, Pump
16	#5101 879AA	1							ROTOR, Inner
17	#5101 880AA	1							ROTOR, Outer
18	5080 503AA	1							SNAP RING, Clutch Gear
19	4269 189	1							BEARING, Output Shaft
20	#5093 602AA	1							OUTPUT SHAFT, Transfer Case
21	0893 31A	1							SNAP RING
22	4897 981AA	1							BEARING, Output Shaft
23	4798 125	1							SEAL, Output Shaft
24	#5093 609AA	1							YOKE, Transfer Case Output
25	4210 973	1							WASHER, Transfer Case Yoke
26	4167 924	1							NUT, Transfer Case Yoke
27	5080 504AA	1							HUB, Synchronizer
28	5019 020AA	1							SEAL, Input Gear
29	#5093 592AA	1							RETAINER
30	6501 371	18							BOLT, Retainer
-31	4798 130	1							SNAP RING
-32	5080 502AA	1							GEAR, Clutch Drive
-33	5080 197AA	1							HUB, Synchronizer

**JEEP WRANGLER (TJ)**

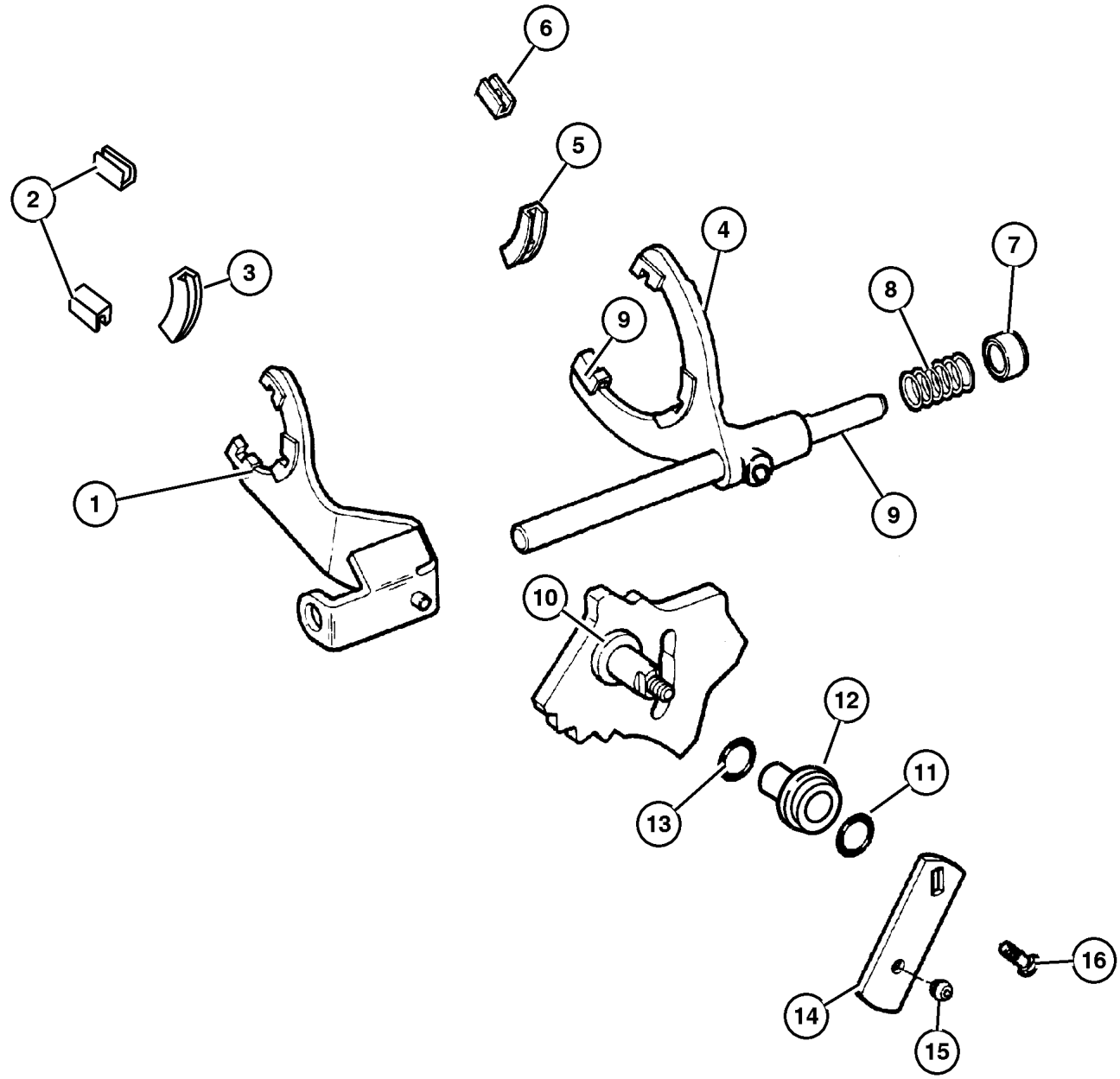
SERIES	LINE	BODY	ENGINE	TRANSMISSION
H = Sport	J = Wrangler 4WD	77 = 93.4 WB	ED1, ED0 = 2.4L DOHC	DGG, DGD = 32RH 3 Spd Auto
L = SE	U = Wrangler 4WD (RHD)		ERH = 4.0L Power Tech	DDD = 5 Speed HD Manual
M = X				DG0 = Auto. Trans.
P = Sahara				DBB = Manual Trans.
S = Rubicon				DDK = 5 Speed Manual

AR = Use as required - = Non illustrated part # = New this model year

September 29, 2003



Forks [DHW]  
Figure 241-910



ITEM	PART NUMBER	QTY	LINE	SERIES	BODY	ENGINE	TRANS	TRIM	DESCRIPTION
1	#5093 596AA	1							FORK, Range
2									PAD, Shift Fork
	4167 969	2							
		1							
3	5080 325AA	1							PAD, Shift Fork
4	#5093 597AA	1							FORK, Transfer Case Mode Shift
5	5080 325AA	1							PAD, Shift Fork
6	4167 969	1							PAD, Shift Fork
7	8350 3515	2							CUP, Shift Fork Spring
8	0013 816	1							SPRING, Mode Fork
9	#5093 599AA	1							RAIL, Transfer Case
10	#5093 594AA	1							SECTOR, Transfer Case
11	5014 046AA	1							SEAL, Sector Shaft
12	5080 760AA	1							SUPPORT, Gearshift Lever
13	5080 761AA	1							SEAL, Gearshift Lever
14	#5093 607AA	1							LEVER, Selector
15	5300 4810	1							BUSHING, Shift Lever
16	#5093 608AA	1							BOLT, Transfer Case

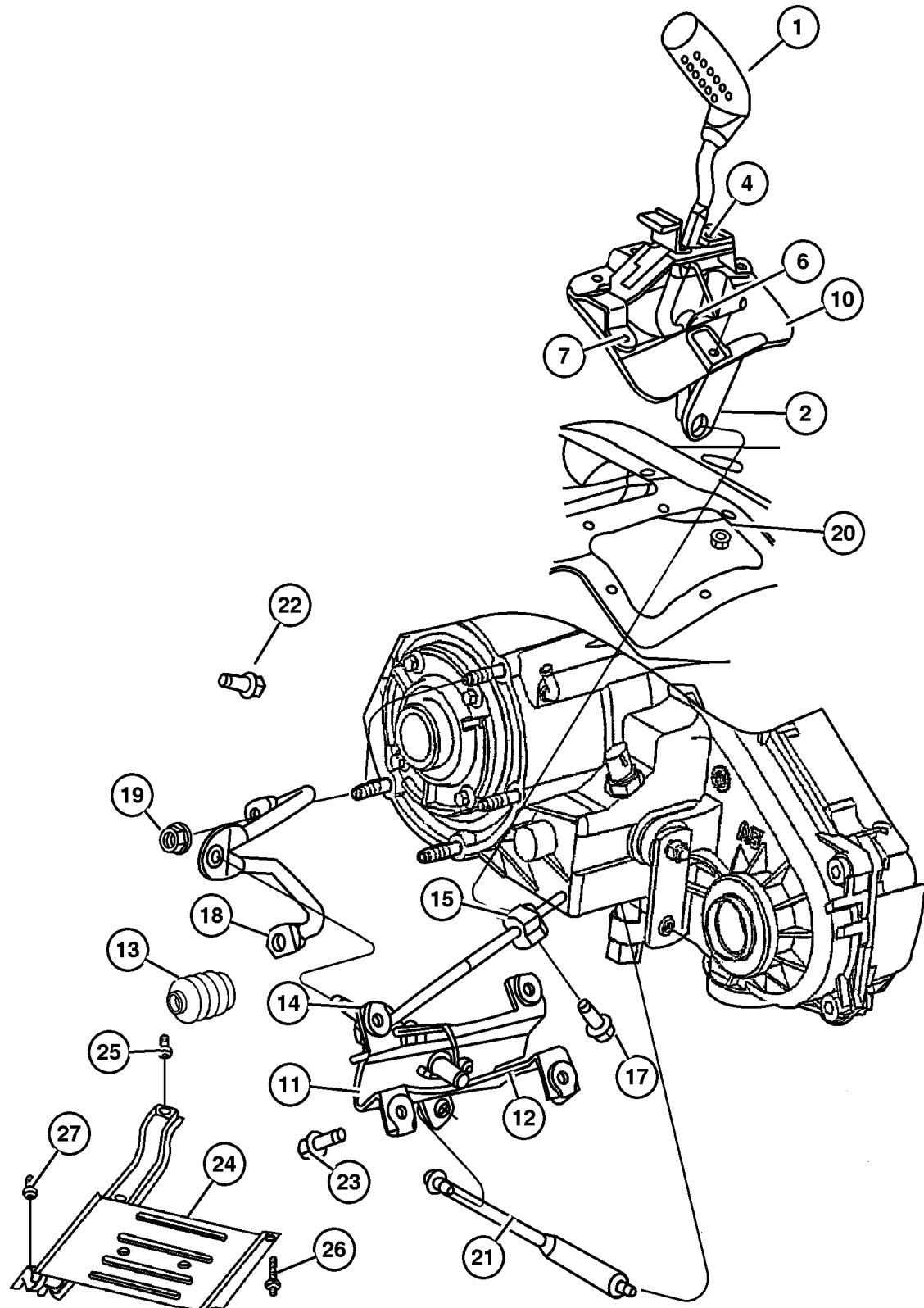
JEEP WRANGLER (TJ)

SERIES	LINE	BODY	ENGINE	TRANSMISSION
H = Sport	J = Wrangler 4WD	77 = 93.4 WB	ED1, ED0 = 2.4L DOHC	DGG, DGD = 32RH 3 Spd Auto
L = SE	U = Wrangler 4WD (RHD)		ERH = 4.0L Power Tech	DDD = 5 Speed HD Manual
M = X				DG0 = Auto. Trans.
P = Sahara				DBB = Manual Trans.
S = Rubicon				DDK = 5 Speed Manual

AR = Use as required - = Non illustrated part # = New this model year

September 29, 2003

**Controls [DHW]  
Figure 241-1210**



ITEM	PART NUMBER	QTY	LINE	SERIES	BODY	ENGINE	TRANS	TRIM	DESCRIPTION
------	-------------	-----	------	--------	------	--------	-------	------	-------------

NOTE: Sales Codes:

- [DBB]=All Manual Transmissions
- [DD0]=All 5 Speed Manual Transmissions
- [DG0]=All Automatic Transmissions
- [DG6]= 4 Speed Automatic Transmission [42RLE]
- [ED0]=All 2.2,2.4,2.5 L 4 Cylinder Gas Engines
- [ER0]=All 4.0L 6 Cylinder Engines

1									SHIFTER, Transfer Case
	52104 080AD	1	J						
	52104 081AD	1	U						
2									LEVER, Transfer Case Shifter
	53005 150AB	1	J						
		1	U						
-3									GROMMET
	3575 333	1	J						
		1	U						
4									FASTENER, Push On
	5207 7671	1	J						
		1	U						
-5									STRAP, Retaining
	J369 3058	1	J						
		1	U						
6									PIN, Cotter
	J400 6723	1	J						
		1	U						
7									NUT, Push, M5
	6100 839	2	J						
		2	U						
-8									SNAP RING
	1150 5389	1	J						
		1	U						
-9									BUSHING, Shift Control
	5300 0639	2	J						
		2	U						
10									HOUSING, Shift Lever
	5300 1284	1	J						
		1	U						
11									BRACKET, Torque Shaft
	#52109 695AA	1	U			ER0			
		1	J			ER0			
12									BRACKET, Torque Shaft

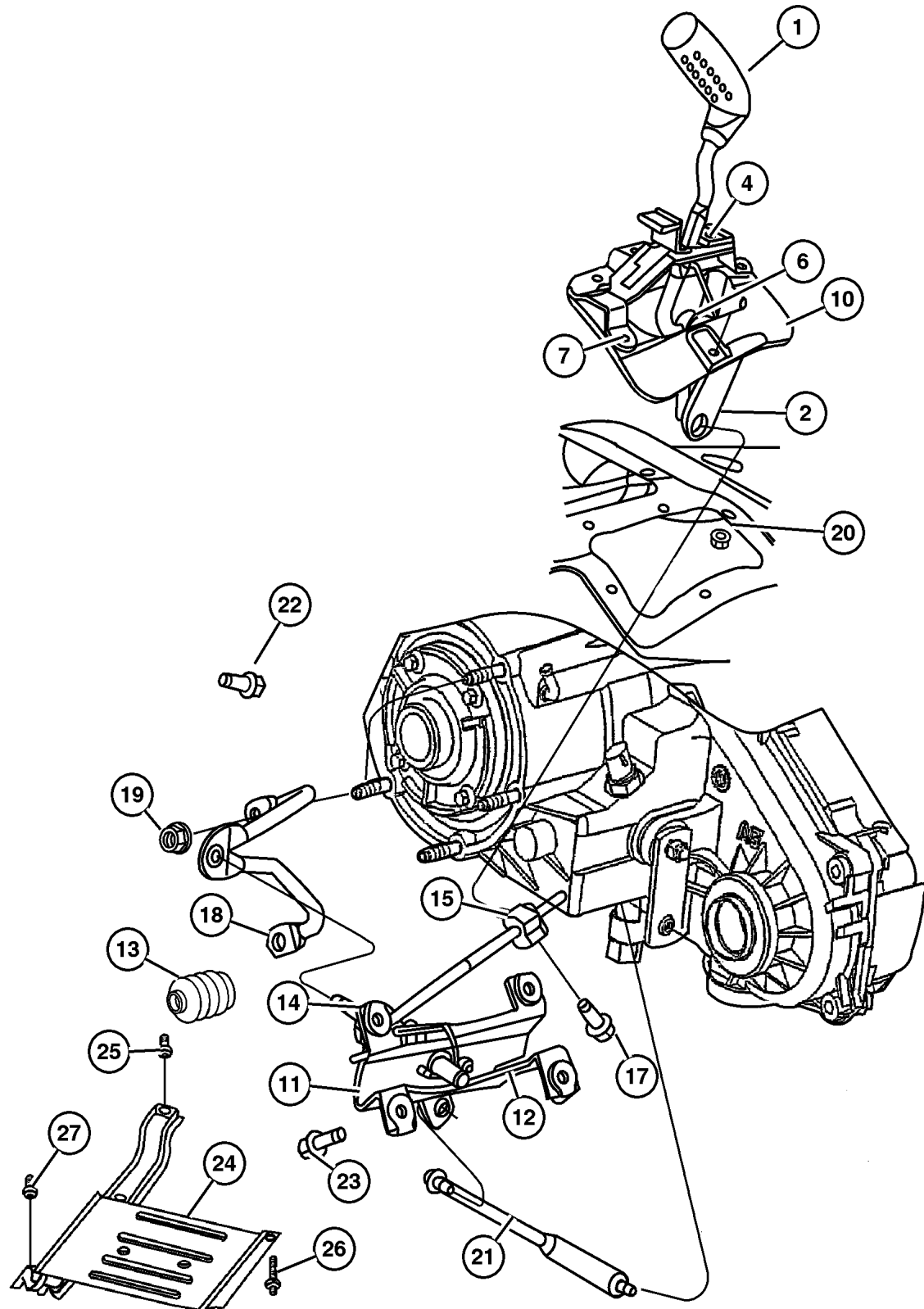
**JEEP WRANGLER (TJ)**

SERIES	LINE	BODY	ENGINE	TRANSMISSION
H = Sport	J = Wrangler 4WD	77 = 93.4 WB	ED1, ED0 = 2.4L DOHC	DGG, DGD = 32RH 3 Spd Auto
L = SE	U = Wrangler 4WD (RHD)		ERH = 4.0L Power Tech	DDD = 5 Speed HD Manual
M = X				DG0 = Auto. Trans.
P = Sahara				DBB = Manual Trans.
S = Rubicon				DDK = 5 Speed Manual

AR = Use as required - = Non illustrated part # = New this model year

September 29, 2003

**Controls [DHW]  
Figure 241-1210**



ITEM	PART NUMBER	QTY	LINE	SERIES	BODY	ENGINE	TRANS	TRIM	DESCRIPTION
	52104 017AD	1	U			ER0			
13		1	J			ER0			BOOT, Torque Shaft
	52109 531AA	1	U			ER0			
		1	J			ER0			
14	#52104 073AC	1	J			ER0			ROD, Gear Shift Control, Transfer Case
15		1	U			ER0			CLAMP, Shift Rod
	4377 309	1	J			ER0			
-16		1	J			ER0			ROD, Gear Shift Control, Transfer Case
	#52109 696AA	1	U			ER0			Shifter Linkage
		1	J			ER0			Shifter Linkage
17	J941 9683	1							BOLT, Hex Flange Head, .312-18x.625
18		1	U						ROD, Torque Shaft
	#52109 743AA	1				ED0	DBB		
	#52109 744AA	1				ED0	DG6		
	#52109 745AA	1				ER0			
19		6							NUT AND CONED WASHER, Hex, .375-24
	J400 6681	6				ED0	DD0		
		6				ED0	DG0		
		6				ER0			
20	6504 601	5							NUT, Rivet Round, M5x0.80x11.09
21		1	U			ER0			ROD, Gear Shift Control, Transfer Case
	#52109 920AA	1	J			ER0			
22	6101 503	2				ED0	DG6		SCREW AND WASHER, Hex Head, M10x1.5x25
23	6503 811	4							BOLT, Hex Head, M6x1.00x20.00
24	#52059 506AA	1					DG6		SKID PLATE, Front
25	6504 825AA	2					DG6		SCREW
26	6503 692	2					DG6		SCREW, M8-1.25
27	#6506 629AA	2					DG6		NUT, Rivet

**JEEP WRANGLER (TJ)**

SERIES  
H = Sport  
L = SE  
M = X  
P = Sahara  
S = Rubicon

LINE  
J = Wrangler 4WD  
U = Wrangler 4WD (RHD)

BODY  
77 = 93.4 WB

ENGINE  
ED1, ED0 = 2.4L DOHC  
ERH = 4.0L Power Tech

TRANSMISSION  
DGG, DGD = 32RH 3 Spd Auto  
DDD = 5 Speed HD Manual  
DG0 = Auto. Trans.  
DBB = Manual Trans.  
DDK = 5 Speed Manual

AR = Use as required - = Non illustrated part # = New this model year

September 29, 2003

# Group – 21P

## Speedometer Pinions

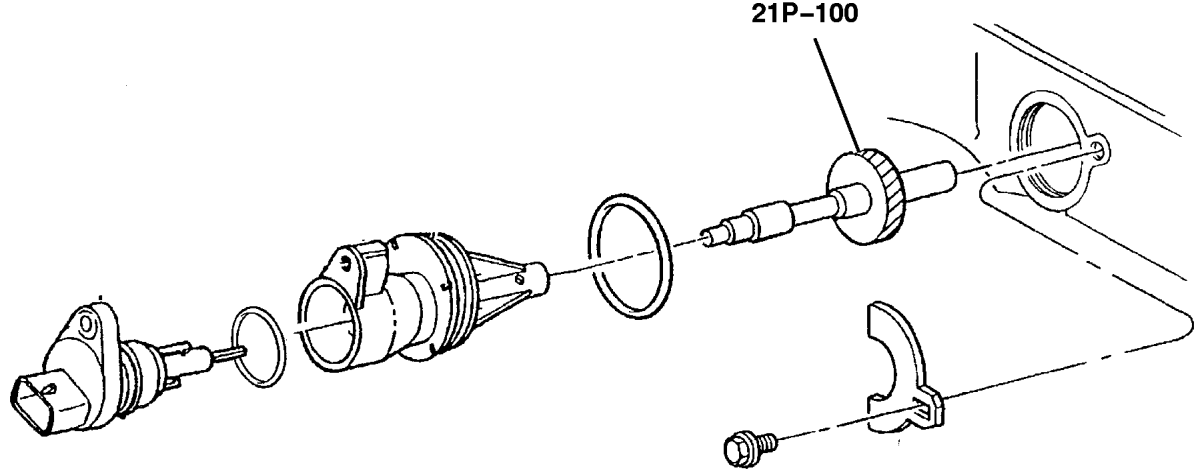
GROUP 21P - Speedometer Pinions

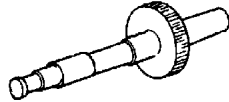
Illustration Title

Group-Fig. No.

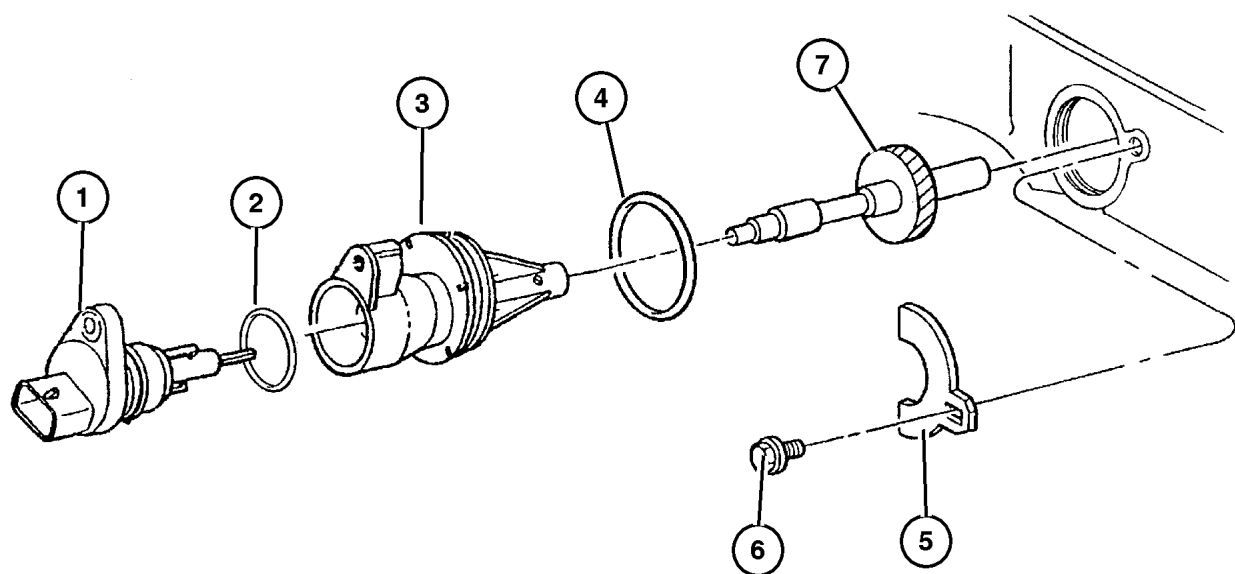
**Speedometer Pinions**

Speedometer Pinion & Housing ..... Fig. 21P-110



<p><b>21P-100</b> Speedometer Pinions</p> 			
---	--	--	--

## Speedometer Pinion & Housing Figure 21P-110



ITEM	PART NUMBER	QTY	LINE	SERIES	BODY	ENGINE	TRANS	TRIM	DESCRIPTION
NOTE:									
Sales Codes:									
[DGD]=3 Speed Automatic Transmission									
[DME]=3.73 Axle Ratio									
[DMF]=4.11 Axle Ratio									
[DMM]=3.07 Axle Ratio									
[TMS]=P215/75R15 Raised Black Letters Tire									
[TPN]=205/75R15 [Wrangler RT] Tire									
[TRK]=P225/70R16 Black Sidewall All Terrain Tire									
[TRN]=P225/70R16 Outside White Letter Tire									
[TUS]=30x9.5R15 Outside White Letter Tire									
[TZA]=[Goodyear] Brand Tire									
[TM0]=All 215 Size Tires									
[TP0]=All 205 Size Tires									
[TR0]=All 225,245,255, R15/R16 Tires									
1	5602 7905	1							SENSOR, Vehicle Speed
2	5602 8182	1							O RING
3	5206 9315	1							HOUSING, Speedometer Drive Gear
4	6035 709	1							O RING, Trans Speedo Adapter
5	2892 399	1							CLAMP, Speedometer
6	0180 077	1							BOLT, Hex Head, 5/16x18x3/4
7									PINION, Speedometer Drive
	5206 7628	1							With [TUS+DMM]
	5206 7636	1							With [TYZ+DMF]
		1							With [TY3+DMF]
	5206 7638	1							With [TUS+DMF]
	5206 7639	1							With [TRN+DMF]
	5206 7629	1							With [TR0+DMM]
	5206 7634	1							With [TUS+DME+TZA]
	5206 7637	1							With [TPN+DME+TZA] Or [TPN+DME+TZA]
	5206 7640	1							With [TM0+DMF]
	5206 7630	1							With [TM0+DMM]
	5206 7635	1							With [TRK+DME]
	5206 7638	1							With [TRK+DMF]
	5206 7636	1							With [TRN=TMS+DME+TZA]

### JEEP WRANGLER (TJ)

SERIES	LINE	BODY	ENGINE	TRANSMISSION
H = Sport	J = Wrangler 4WD	77 = 93.4 WB	ED1, ED0 = 2.4L DOHC	DGG, DGD = 32RH 3 Spd Auto
L = SE	U = Wrangler 4WD (RHD)		ERH = 4.0L Power Tech	DDD = 5 Speed HD Manual
M = X				DG0 = Auto. Trans.
P = Sahara				DBB = Manual Trans.
S = Rubicon				DDK = 5 Speed Manual

AR = Use as required - = Non illustrated part # = New this model year

September 29, 2003

# Group – 022

## Wheels, Covers and Jacks

### GROUP 22 - Wheels, Covers and Jacks

Illustration Title

Group-Fig. No.

#### Wheels and Hardware

Wheels ..... Fig. 022-110

#### Wheel Covers and Center Caps

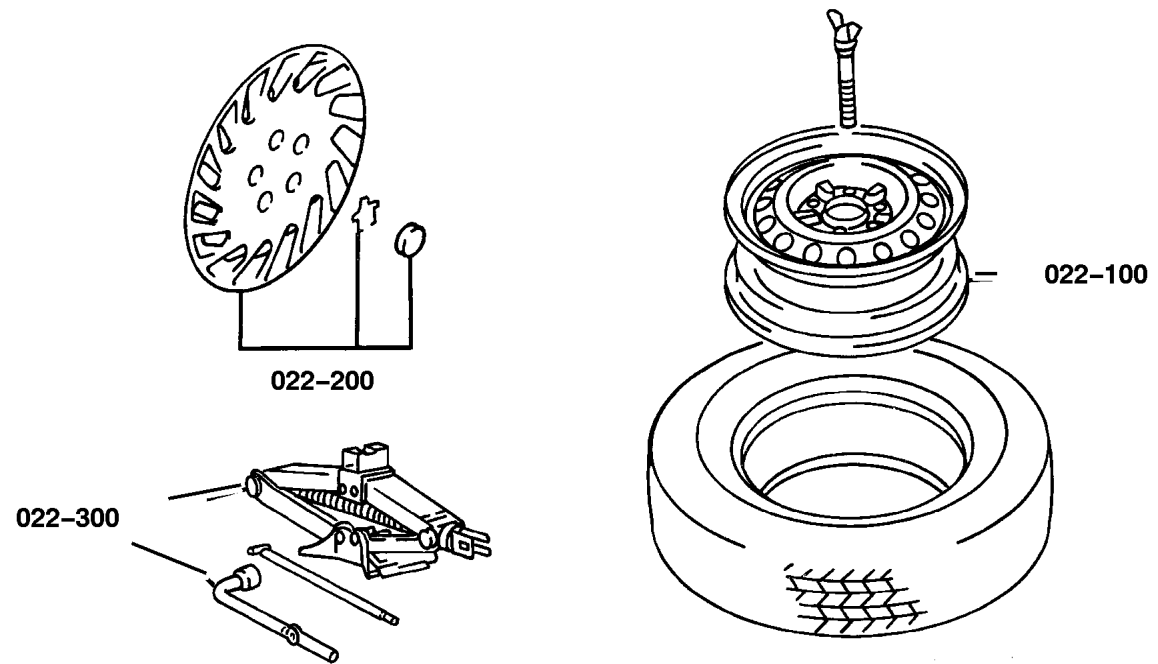
Caps And Covers ..... Fig. 022-210


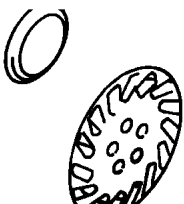
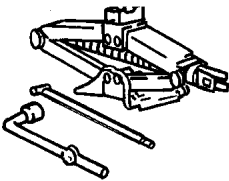
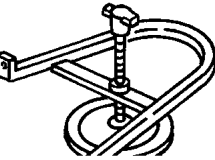
#### Jack Stowage

Jack And Storage ..... Fig. 022-310

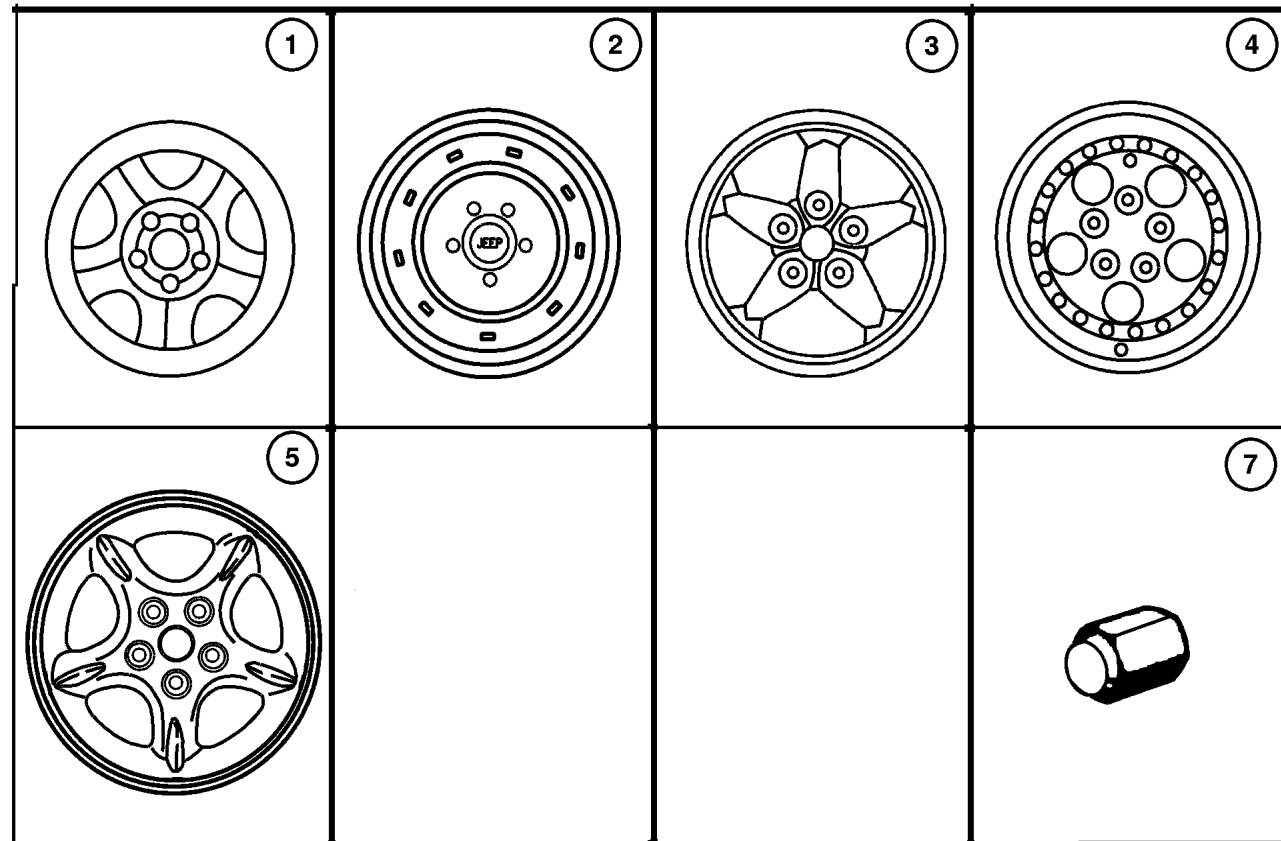
#### Spare Tire Stowage

Wheel, Spare Tailgate Mounted ..... Fig. 022-410



<p><b>022-100</b> Wheels and Hardware</p> 	<p><b>022-200</b> Wheel Covers and Center Caps</p> 	<p><b>022-300</b> Jack Stowage</p> 	<p><b>022-400</b> Spare Tire Stowage</p> 
---	--	---	--

## Wheels Figure 022-110



ITEM	PART NUMBER	QTY	LINE	SERIES	BODY	ENGINE	TRANS	TRIM	DESCRIPTION
Note: Sales Code WJK = 15x6.0 Steel Wheels									
Note: Sales Code WJ5 = 15x7.0 Steel Wheels									
Note: Sales Code WJM = 15x7.0 Chrome Wheels									
Note: Sales Code WJ1 = 15x7.0 Aluminum Wheels									
Note: Sales Code WJ9 = 15x8.0 Aluminum Wheels									
Note: Sales Code WJU = 16x8.0 Aluminum Wheels									
1	52088 140AB	4							WHEEL, Steel [WJK]
	52059 582AA	4							[WJM], Chrome
2	5FV63 S4AAE	4							WHEEL, Steel [WJ5]
	#5EW03 S4AAB	4							[WJD]
3	5EE8 0TAE	4							WHEEL, Aluminum, [WJW]
4	5GC81 TAEAA	4							WHEEL, Aluminum, [WJX]
5	5GR08 PAKAA	4							WHEEL, Aluminum, [WDF]
-6	#5HP23 PAKAA	4							WHEEL, Aluminum [WD1]
	#52059 705AA	4							[WDZ]
7	6036 310AA	20							NUT, Wheel, .50x20
-8	2073 355	5							STEM, Wheel Valve

**JEEP WRANGLER (TJ)**

SERIES	LINE	BODY	ENGINE	TRANSMISSION
H = Sport	J = Wrangler 4WD	77 = 93.4 WB	ED1, ED0 = 2.4L DOHC	DGG, DGD = 32RH 3 Spd Auto
L = SE	U = Wrangler 4WD (RHD)		ERH = 4.0L Power Tech	DDD = 5 Speed HD Manual
M = X				DG0 = Auto. Trans.
P = Sahara				DBB = Manual Trans.
S = Rubicon				DDK = 5 Speed Manual

AR = Use as required - = Non illustrated part # = New this model year

**Caps And Covers**  
**Figure 022-210**

ITEM	PART NUMBER	QTY	LINE	SERIES	BODY	ENGINE	TRANS	TRIM	DESCRIPTION
------	-------------	-----	------	--------	------	--------	-------	------	-------------

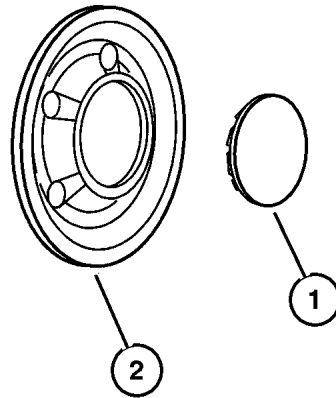
Note: Sales Code WJW = 15x7.0 Aluminum Wheels

Note: Sales Code WJ5 = 15x7.0 Steel Wheels

Note: Sales Code WJK = 15x6.0 Steel Wheels

Note: Sales Code WJX = 15x8.0 Aluminum Wheels

1	5DY07 TAEAB	4							CAP, Wheel Center, [WJW]
2									CAP, Wheel Center
	5208 9008	4							[WJK]
	5GL69 S4AAA	4							[WJ5]
	52059 522AA	4							[WJX,WD1]
	#52059 706AA	4							[WDZ]



**JEEP WRANGLER (TJ)**

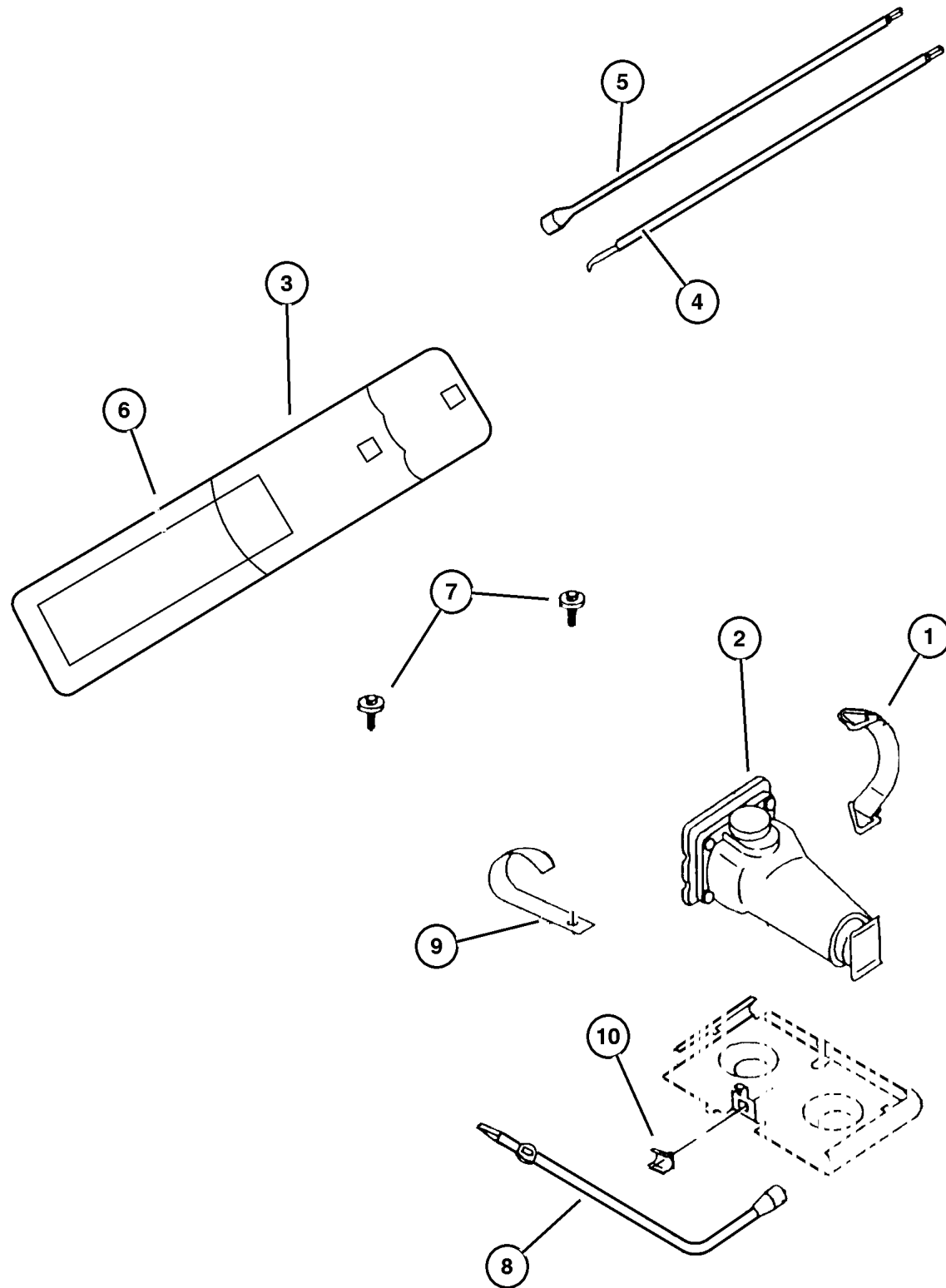
SERIES	LINE	BODY	ENGINE	TRANSMISSION
H = Sport	J = Wrangler 4WD	77 = 93.4 WB	ED1, ED0 = 2.4L DOHC	DGG, DGD = 32RH 3 Spd Auto
L = SE	U = Wrangler 4WD (RHD)		ERH = 4.0L Power Tech	DDD = 5 Speed HD Manual
M = X				DG0 = Auto. Trans.
P = Sahara				DBB = Manual Trans.
S = Rubicon				DDK = 5 Speed Manual

AR = Use as required - = Non illustrated part # = New this model year

September 29, 2003



Jack And Storage  
Figure 022-310



ITEM	PART NUMBER	QTY	LINE	SERIES	BODY	ENGINE	TRANS	TRIM	DESCRIPTION
1	5203 8254	1							STRAP, Jack Storage
2	52058 912AB	1							JACK
3	52059 162AC	1							BAG, Jack Tool Storage
4	52058 905AB	1							EXTENSION, Jack Handle
5	52088 133AB	1							HANDLE, Jack
6									LABEL, Serviced in #3, (NOT SERVICED) (Not Serviced)
7	6504 616	2							SCREW, M4.2x1.41
8	5205 8907	1							WRENCH, Wheel Lug Nut
9	5205 9047	2							STRAP, Jack Tool Storage
10	6504 697	1							CLIP, Lug Wrench
-11									LABEL, Jack Caution
	#52110 391AB	1							
	#52110 392AB	1							Canada
-12	52059 185AA	1							CLIP

JEEP WRANGLER (TJ)

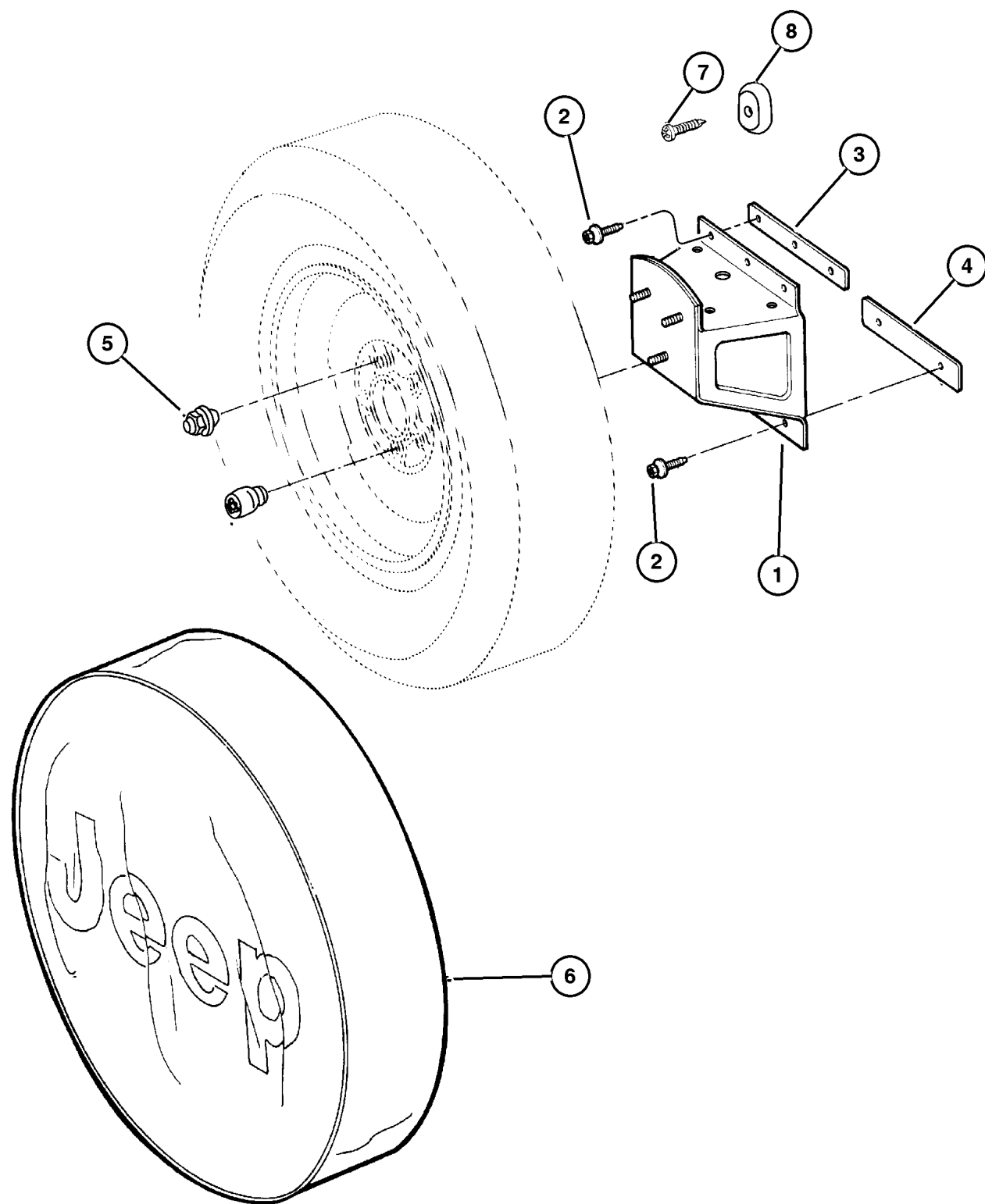
SERIES	LINE	BODY	ENGINE	TRANSMISSION
H = Sport	J = Wrangler 4WD	77 = 93.4 WB	ED1, ED0 = 2.4L DOHC	DGG, DGD = 32RH 3 Spd Auto
L = SE	U = Wrangler 4WD (RHD)		ERH = 4.0L Power Tech	DDD = 5 Speed HD Manual
M = X				DG0 = Auto. Trans.
P = Sahara				DBB = Manual Trans.
S = Rubicon				DDK = 5 Speed Manual

AR = Use as required - = Non illustrated part # = New this model year

September 29, 2003

**Wheel, Spare Tailgate Mounted  
Figure 022-410**

ITEM	PART NUMBER	QTY	LINE	SERIES	BODY	ENGINE	TRANS	TRIM	DESCRIPTION	
1	55175 913AE	1							BRACKET, Spare Tire	
2									SCREW AND WASHER, Hex Head, .312-18x1.125, (NOT SERVICED) (Not Serviced)	
3	55010 841AB	1							GASKET, Spare Tire Bracket, Upper Carrier	
4	55010 928AB	1							GASKET, Spare Tire Bracket, Lower Carrier	
5	6036 310AA	3							NUT, Wheel, .50x20	
6									COVER, Spare Tire	
	5FF4 7TX7	1	J	H, L, M					Black, 'Saraha' Europe With [ABB], Without [ABA]	
	5FF5 5TX7	1		H, L						
	#5JG83 1J8AA	1		P						
	#5JG84 1J8AA	1		P						With [ABA]
	#5JG85 1J8AA	1		P						Without [ABB]
	#5JX01 1X7AA	1	J	S						
7									SCREW, (NOT SERVICED) (Not Serviced)	
8	5534 5519	1							BUMPER, Spare Tire Impact	
-9	5208 8515	1							NUT, Lock, .50-20	



**JEEP WRANGLER (TJ)**

SERIES	LINE	BODY	ENGINE	TRANSMISSION
H = Sport	J = Wrangler 4WD	77 = 93.4 WB	ED1, ED0 = 2.4L DOHC	DGG, DGD = 32RH 3 Spd Auto
L = SE	U = Wrangler 4WD (RHD)		ERH = 4.0L Power Tech	DDD = 5 Speed HD Manual
M = X				DG0 = Auto. Trans.
P = Sahara				DBB = Manual Trans.
S = Rubicon				DDK = 5 Speed Manual

AR = Use as required - = Non illustrated part # = New this model year

September 29, 2003

# Group – 23D

## Wiper/Lock Cylinder and Keys

### GROUP 23D - Wiper/Lock Cylinder and Keys

Illustration Title

Group-Fig. No.

#### Lock Cylinders and Keys

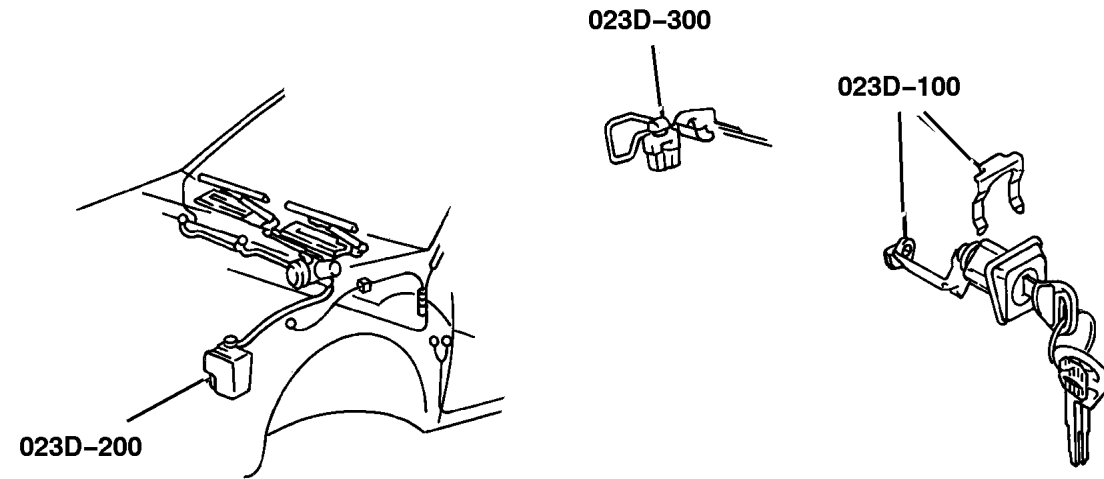
Lock Cylinders & Keys ..... Fig. 23D-105

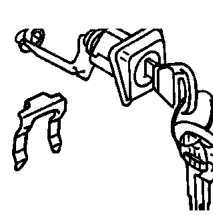
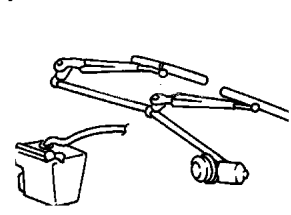
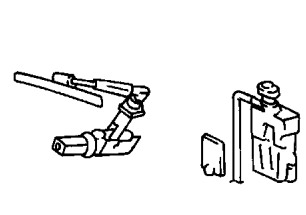
#### Windshield Wiper and Washer Systems

Wiper System Front ..... Fig. 23D-205

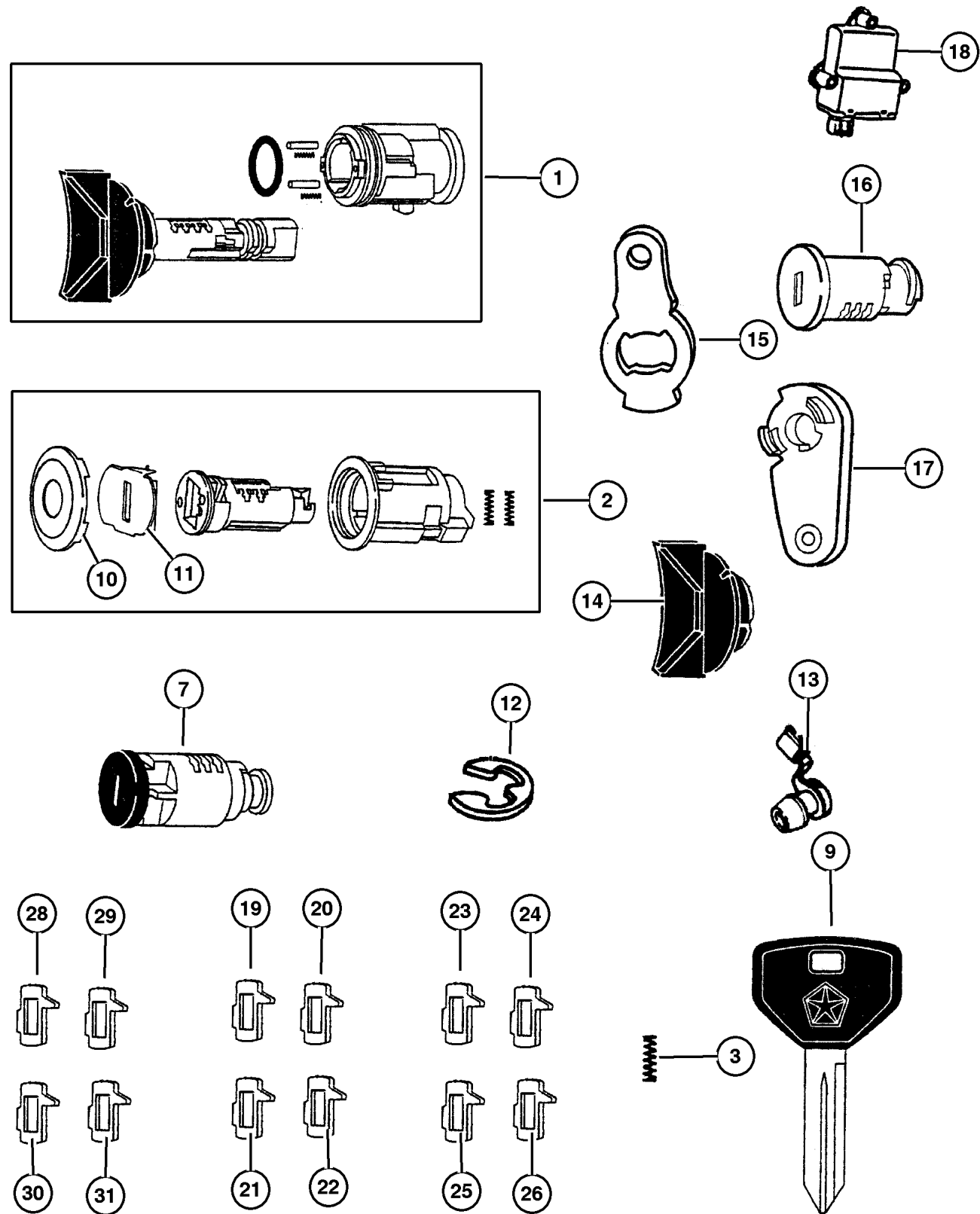
#### Rear Wiper and Washer System

Rear Wiper System ..... Fig. 23D-305



<p><b>23D-100</b> Lock Cylinders and Keys</p> 	<p><b>23D-200</b> Windshield Wiper and Washer Systems</p> 	<p><b>23D-300</b> Rear Wiper and Washer System</p> 	
---	---	---	--

## Lock Cylinders & Keys Figure 23D-105



ITEM	PART NUMBER	QTY	LINE	SERIES	BODY	ENGINE	TRANS	TRIM	DESCRIPTION
NOTE: ALL CYLINDERS ARE UNCODED									
1	5003 843AB	1							CYLINDER, Ignition Lock
2	4864 651	1							CYLINDER, Door Lock, Doors & Tailgate, Full doors
3	4378 793	1							SPRING, Cylinder Return
-4	5010 883AB	1							SPRING, Ignition Tumbler, Sidebar
-5	5523 5561	1							GASKET, Door Lock Cylinder, Black
-6	55176 401AC	2							RETAINER, Door Lock Cylinder
7	4746 315	1							CYLINDER, Glove Box Lock
-8	4746 873	1							SPRING, Lock Cylinder Tumbler, Glove Box Cylinder
9									KEY, Master
	5018 699AA	1							Sentry Key
	5018 700AA	1							With Full Doors & Full Floor Console
10									CAP, Door Lock Cylinder, Black, Serviced in Lock Kit Only, (NOT SERVICED) (Not Serviced)
11									SHUTTER, Door, Deck and Liftgate, Bright, Serviced in Lock Kit Only, (NOT SERVICED) (Not Serviced)
12	6026 125	1							CLIP, Retainer
13									CLIP, Latch
	4658 444	1							Purple
	4658 445	1							Orange
14									KNOB, Ignition Cylinder, Black Plastic, Serviced with Cylinder, (NOT SERVICED) (Not Serviced)
15	55075 824AB	1							LEVER, Door Lock Cylinder, Tailgate
16	4746 305	1							CYLINDER, Console Lock
17	5507 6307	1							LEVER, Door Lock
18	56010 209AC	1							MODULE, Immobilizer
19	5010 879AA	1							TUMBLER, Ignition Number 1, Sidebar
20	5010 880AA	1							TUMBLER, Ignition Number 2, Sidebar
21	5010 881AA	1							TUMBLER, Ignition Number 3, Sidebar
22	5010 882AA	1							TUMBLER, Ignition Number 4, Sidebar
23	5257 132	1							TUMBLER, Ignition Number 1
24	5257 133	1							TUMBLER, Ignition Number 2

**JEEP WRANGLER (TJ)**

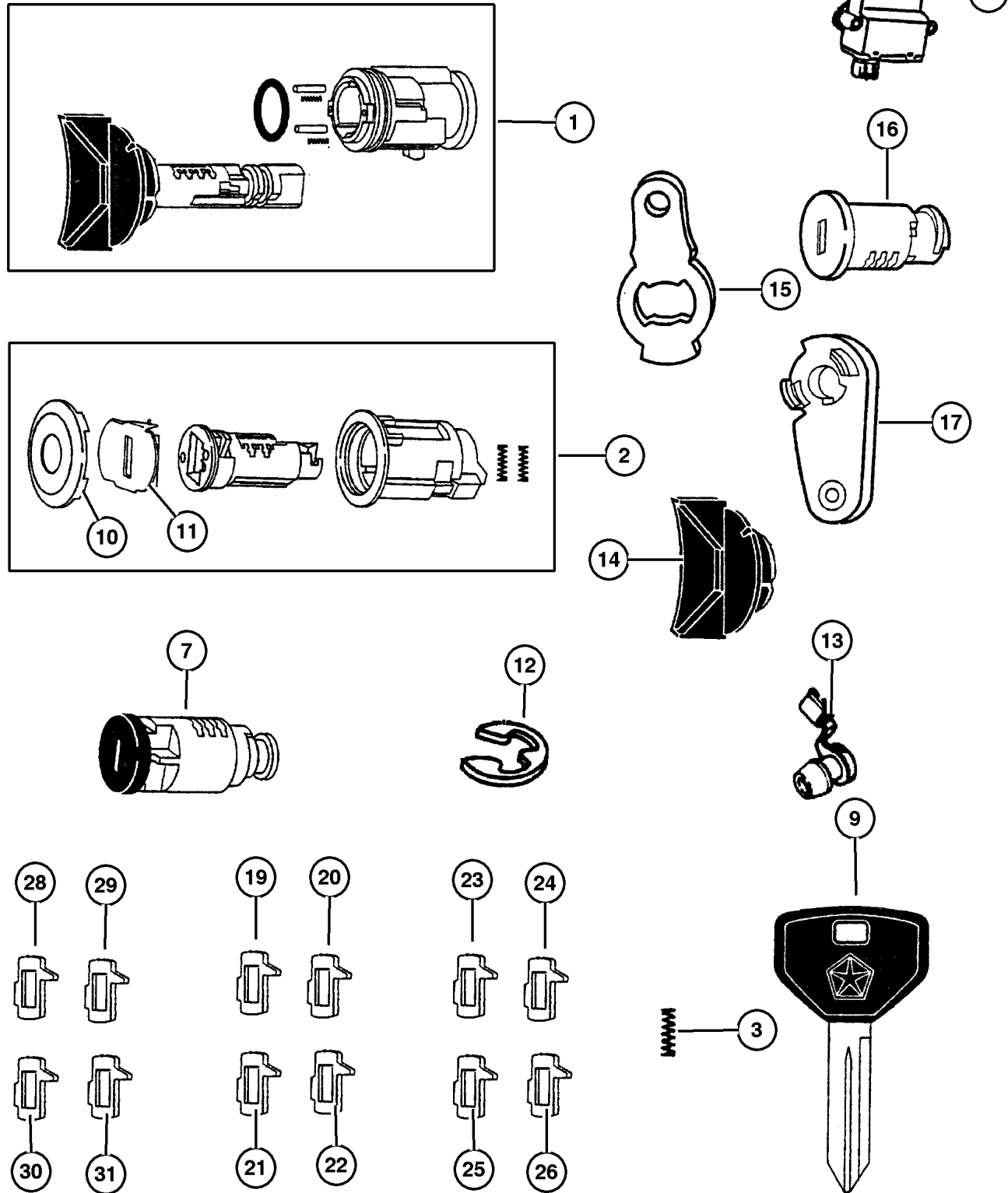
SERIES	LINE	BODY	ENGINE	TRANSMISSION
H = Sport	J = Wrangler 4WD	77 = 93.4 WB	ED1, ED0 = 2.4L DOHC	DGG, DGD = 32RH 3 Spd Auto
L = SE	U = Wrangler 4WD (RHD)		ERH = 4.0L Power Tech	DDD = 5 Speed HD Manual
M = X				DG0 = Auto. Trans.
P = Sahara				DBB = Manual Trans.
S = Rubicon				DDK = 5 Speed Manual

AR = Use as required - = Non illustrated part # = New this model year

September 29, 2003

Lock Cylinders & Keys  
Figure 23D-105

ITEM	PART NUMBER	QTY	LINE	SERIES	BODY	ENGINE	TRANS	TRIM	DESCRIPTION
25	5257 134	1							TUMBLER, Ignition Number 3
26	5257 135	1							TUMBLER, Ignition Number 4
-27	4778 121	1							SPRING, Door and Deck Tumbler
28	4778 117	1							TUMBLER, Door and Deck Number 1, Wide
29	4778 118	1							TUMBLER, Door and Deck Number 2, Wide
30	4778 119	1							TUMBLER, Door and Deck Number 3, Wide
31	4778 120	1							TUMBLER, Door and Deck Number 4, Wide
-32	5529 5904	2							RETAINER, Door Cylinder To Handle



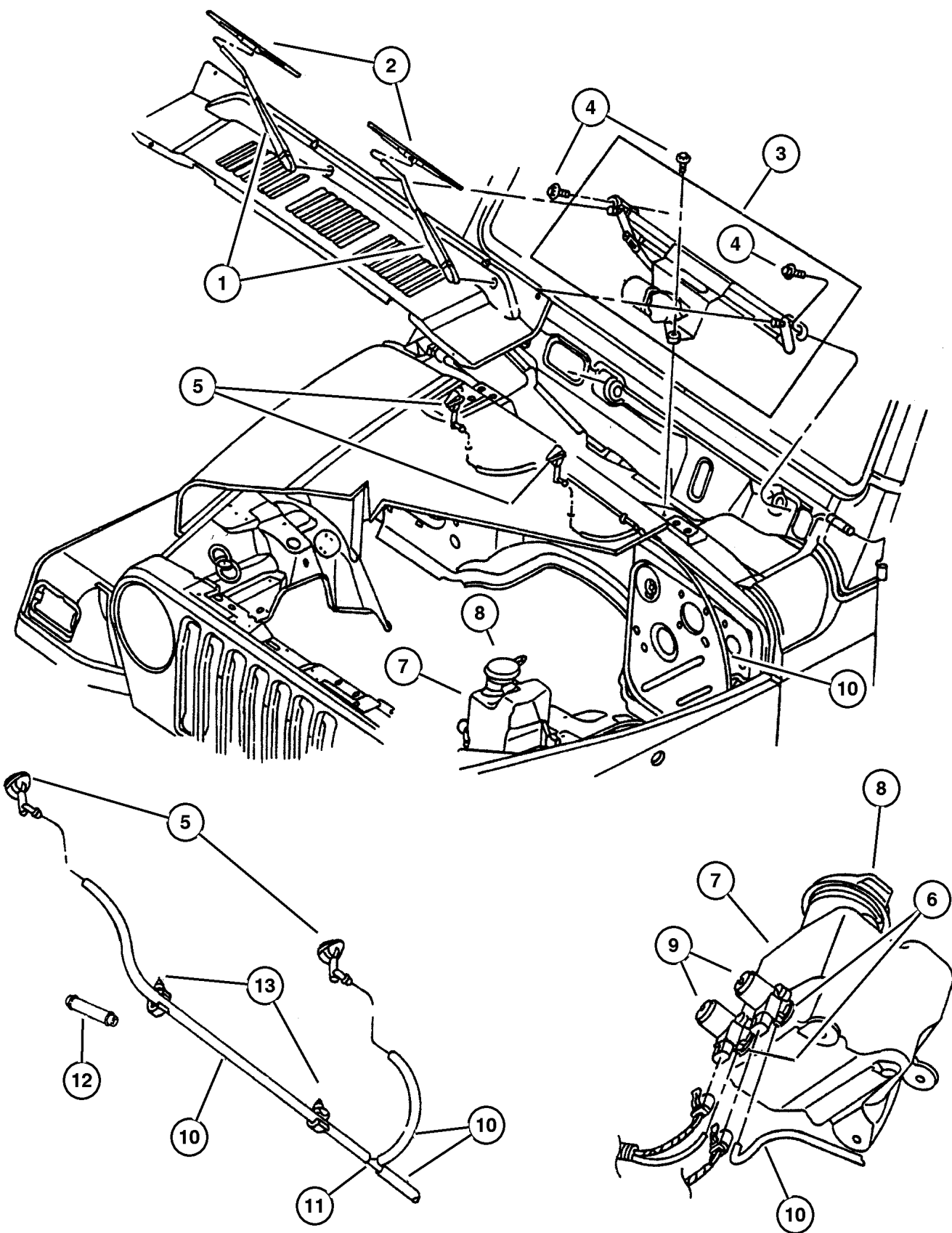
JEEP WRANGLER (TJ)  
 SERIES LINE BODY ENGINE TRANSMISSION  
 H = Sport J = Wrangler 4WD 77 = 93.4 WB ED1, ED0 = 2.4L DOHC DGG, DGD = 32RH 3 Spd Auto  
 L = SE U = Wrangler 4WD (RHD) ERH = 4.0L Power Tech DDD = 5 Speed HD Manual  
 M = X DBB = Manual Trans.  
 P = Sahara DDK = 5 Speed Manual  
 S = Rubicon

AR = Use as required - = Non illustrated part # = New this model year

September 29, 2003

**Wiper System Front  
Figure 23D-205**

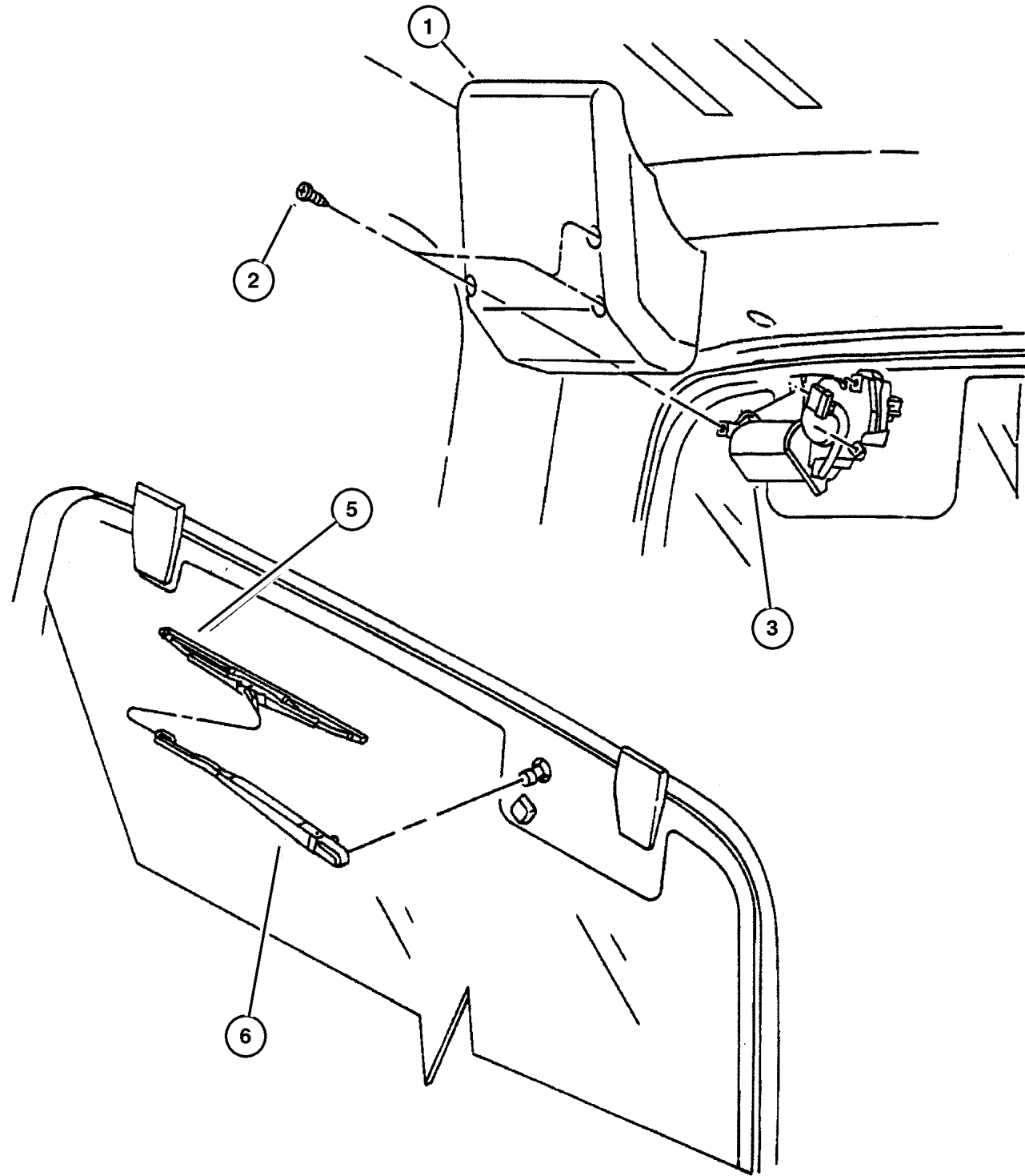
ITEM	PART NUMBER	QTY	LINE	SERIES	BODY	ENGINE	TRANS	TRIM	DESCRIPTION
1									ARM, Wiper
	5515 5658	2	J						
	5515 5659	2	U						
2	55154 762AD	2							BLADE, Wiper
3									MODULE, Wiper
	#55154 768AD	1	U						
	#55156 374AC	1	J						
4	6100 568	3							BOLT AND WASHER, Implement Attaching
5	55156 728AA	1							NOZZLE, Washer, Windshield
6	#5096 346AA	2							GROMMET, Washer Reservoir
7									RESERVOIR, Washer
	#5096 344AA	1							Single Pump
	#5096 345AA	1							Double Pump
8	#5096 347AA	1							CAP, Washer Reservoir Filler
9	#5096 343AA	1							PUMP, Washer, Windshield
10	HWV00 532AB	1							HOSE 1FT, Windshield Washer, 5/32"
11									TEE, Washer Hose
	3671 410	1	J						[ED0]
		1	J						[ER0]
		1	U						[ER0]
12	55156 742AA	1							CHECK VALVE, Washer
13	4805 409AA	2							CLIP, Washer Hose
-14	4883 521AA	1							NUT, Rear Wiper Motor
-15	4883 520AA	1							NOZZLE, Liftgate Washer
-16	5600 3982	1							PLUG, Sealing
-17	5515 4556	1							SPACER, Wiper Motor
-18	5600 3682	1							NUT, Hex Flange, M16



**JEEP WRANGLER (TJ)**

SERIES	LINE	BODY	ENGINE	TRANSMISSION
H = Sport	J = Wrangler 4WD	77 = 93.4 WB	ED1, ED0 = 2.4L DOHC	DGG, DGD = 32RH 3 Spd Auto
L = SE	U = Wrangler 4WD (RHD)		ERH = 4.0L Power Tech	DDD = 5 Speed HD Manual
M = X				DG0 = Auto. Trans.
P = Sahara				DBB = Manual Trans.
S = Rubicon				DDK = 5 Speed Manual

**Rear Wiper System  
Figure 23D-305**



ITEM	PART NUMBER	QTY	LINE	SERIES	BODY	ENGINE	TRANS	TRIM	DESCRIPTION
1	#55156 660AC	1							COVER, Wiper Motor
2									SCREW, 164-18X.750 , (NOT SERVICED) (Not Serviced)
3	#55156 278AA	1							MOTOR, Wiper
-4	#5133 153AA	1							NUT, Rear Wiper Motor
5	#55156 664AA	1							BLADE, Wiper
6	#55156 663AA	1							ARM, Wiper
-7	5517 6464	1							GROMMET, Wiper Motor And Bracket
-8	4883 520AA	1							NOZZLE, Liftgate Washer
-9	5515 5457	1							CHECK VALVE, Washer
-10	5600 3982	1							PLUG, Sealing
-11	6022 190	1							WASHER
-12	5515 4556	1							SPACER, Wiper Motor
-13	6500 165	1							NUT, Wiper Arm, Rear Arm Mounting
-14	6503 071	4							CLIP, Line&Hose, Rear Wiper Harness
-15	#5133 193AA	1							SPACER, Rear Window Wiper

**JEEP WRANGLER (TJ)**

SERIES	LINE	BODY	ENGINE	TRANSMISSION
H = Sport	J = Wrangler 4WD	77 = 93.4 WB	ED1, ED0 = 2.4L DOHC	DGG, DGD = 32RH 3 Spd Auto
L = SE	U = Wrangler 4WD (RHD)		ERH = 4.0L Power Tech	DDD = 5 Speed HD Manual
M = X				DG0 = Auto. Trans.
P = Sahara				DBB = Manual Trans.
S = Rubicon				DDK = 5 Speed Manual

AR = Use as required - = Non illustrated part # = New this model year

September 29, 2003

# Group – 024

## Air Conditioning & Heater

### GROUP 24 - Air Conditioning & Heater

Illustration Title

Group-Fig. No.

#### Air Conditioner and Heater Units

Hevac Unit, LHD ..... Fig. 024-105

Hevac Unit, RHD ..... Fig. 024-110

#### Air Conditioner and Heater Plumbing

Hoses, Heater 2.4L Engine ..... Fig. 024-210

Hoses, Heater 4.0L Engine ..... Fig. 024-220

Plumbing, Hevac 2.4L Engine ..... Fig. 024-225

Plumbing, Hevac 4.0L Engine, LHD ..... Fig. 024-235

Plumbing, Hevac 4.0L Engine, RHD ..... Fig. 024-240

Seals, A/C Condenser ..... Fig. 024-245

#### Air Conditioner and Heater Controls

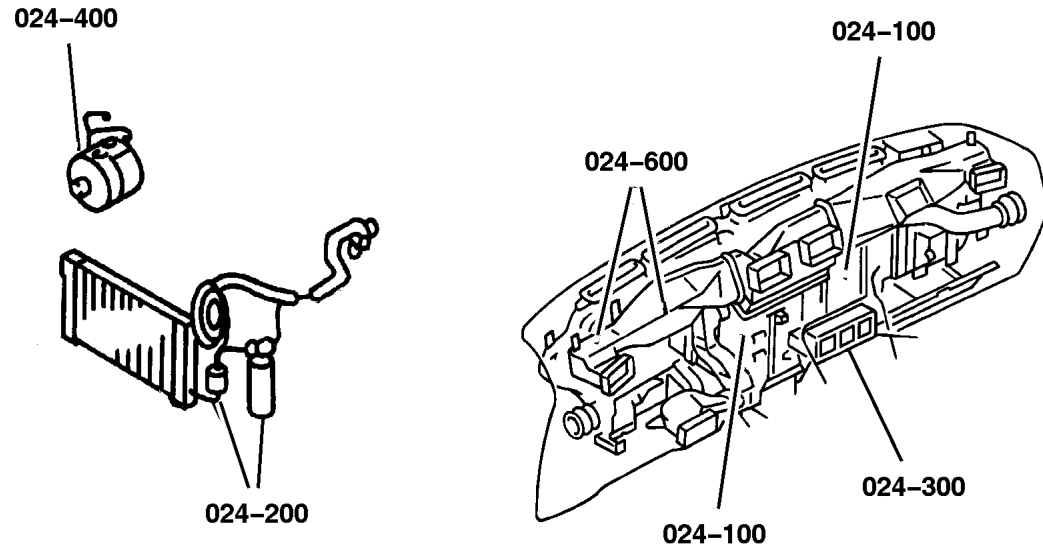
Control, Heater And A/c ..... Fig. 024-310

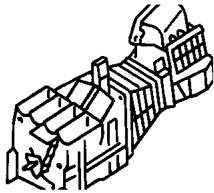
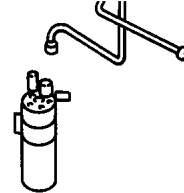
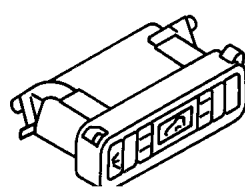
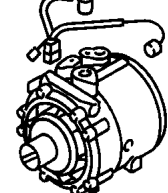
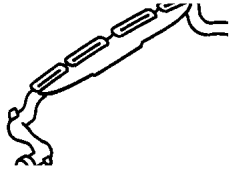
#### Air Conditioning Compressor

Compressor, Air Conditioning ..... Fig. 024-410

#### Air Ducts and Outlets

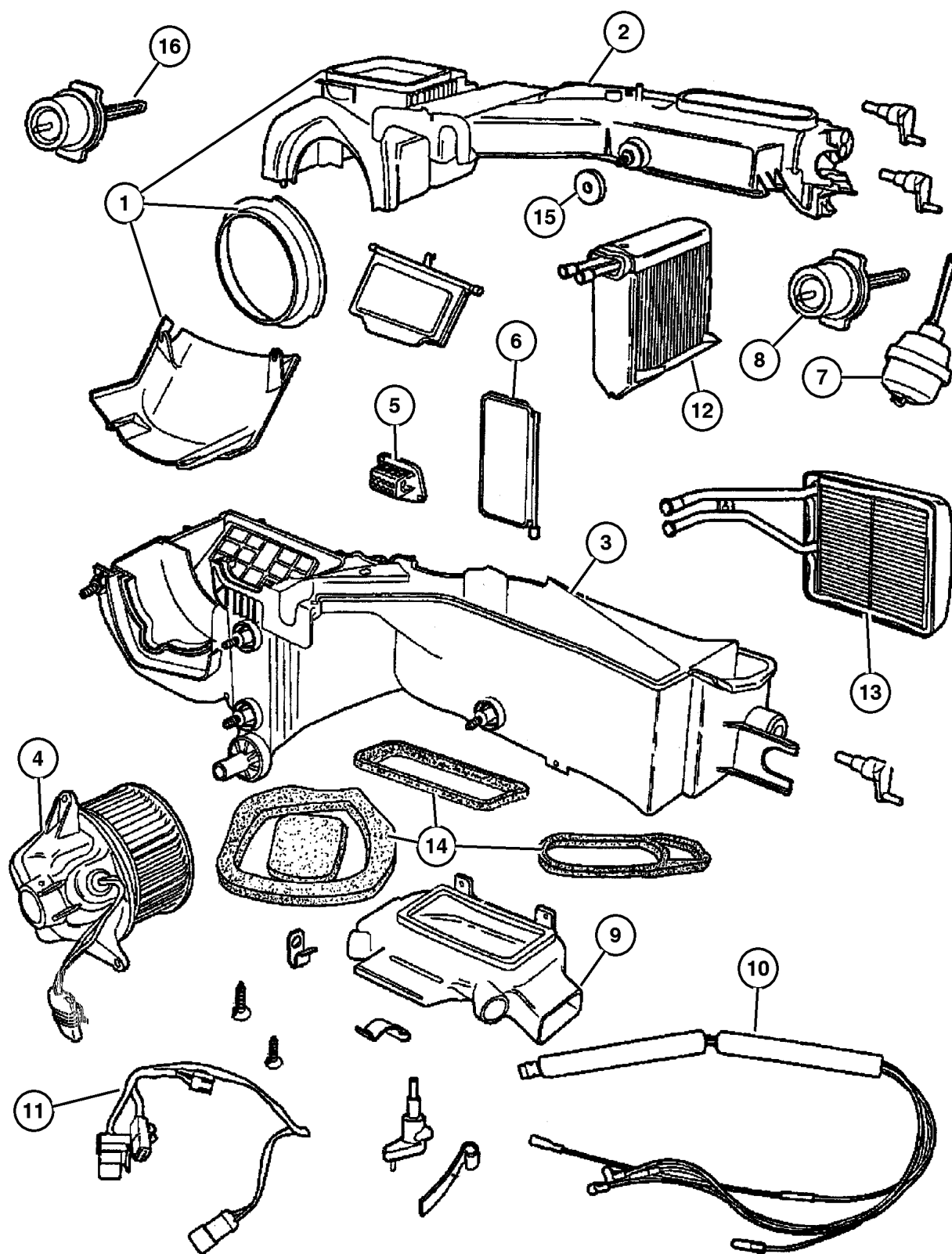
Ducts, Heater And A/c ..... Fig. 024-610



<p><b>024-100</b> Air Conditioner and Heater Units</p> 	<p><b>024-200</b> Air Conditioner and Heater Plumbing</p> 	<p><b>024-300</b> Air Conditioner and Heater Controls</p> 	<p><b>024-400</b> Air Conditioning Compressor</p> 
<p><b>024-600</b> Air Ducts and Outlets</p> 			



Hevac Unit, LHD  
Figure 024-105



ITEM	PART NUMBER	QTY	LINE	SERIES	BODY	ENGINE	TRANS	TRIM	DESCRIPTION
1	5073 172AA	1	J						HOUSING, Air Inlet
2	5073 175AA	1	J						HOUSING, A/C Upper
3	5073 176AA	1	J						HOUSING, A/C Lower
4	5066 553AA	1	J						MOTOR, Blower with Wheel
5	5066 552AA	1	J						RESISTOR, A/C Heater
6	5073 184AA	1	J						DOOR KIT, A/C And Heater, Includes Blend,Floor/Defrost,Panel Doors
7	5013 741AA	1	J						ACTUATOR, Blend Door
8	5073 181AA	1	J						ACTUATOR, A/C and Heater, Panel Door
9	5066 518AA	1	J						ACTUATOR, A/C and Heater, Floor and Defrost
10	5073 182AA	1	J						VACUUM HARNESS, Heater and A/C HARNESS
11	5073 183AA	1	J						HARNESS
12	5073 178AA	1	J						EVAPORATOR, Air Conditioning
13	5073 180AA	1	J						HEATER KIT, Heater Core Assembly
14	5073 174AA	1	J						SEAL KIT, A/C And Heater Unit
15	5525 4848	4	J						WASHER, Sealing
16	5073 173AA	1	J						ACTUATOR, A/C and Heater, Recirculating

JEEP WRANGLER (TJ)

SERIES	LINE	BODY	ENGINE	TRANSMISSION
H = Sport	J = Wrangler 4WD	77 = 93.4 WB	ED1, ED0 = 2.4L DOHC	DGG, DGD = 32RH 3 Spd Auto
L = SE	U = Wrangler 4WD (RHD)		ERH = 4.0L Power Tech	DDD = 5 Speed HD Manual
M = X				DG0 = Auto. Trans.
P = Sahara				DBB = Manual Trans.
S = Rubicon				DDK = 5 Speed Manual

AR = Use as required - = Non illustrated part # = New this model year

September 29, 2003

Hevac Unit, RHD  
Figure 024-110

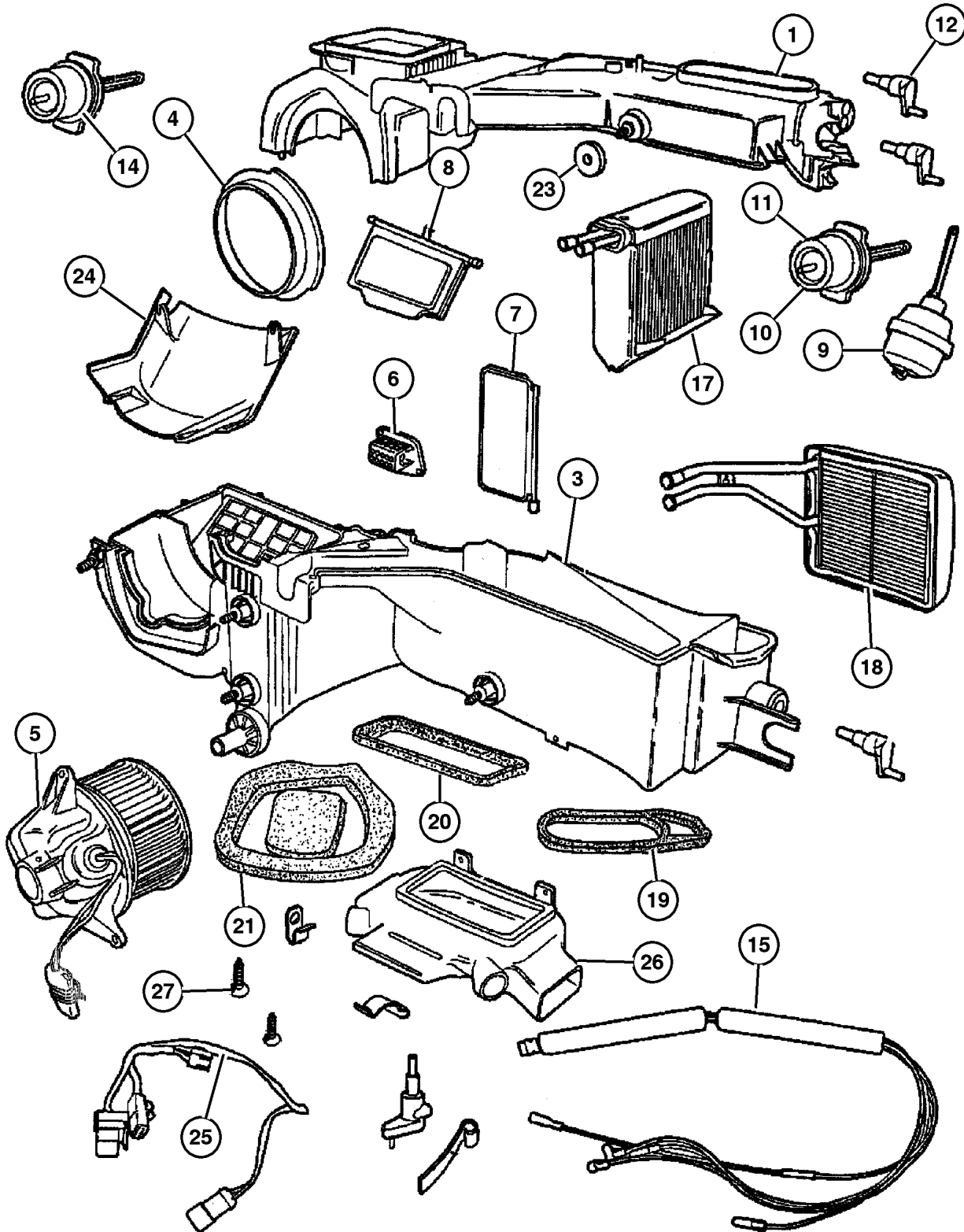
ITEM	PART NUMBER	QTY	LINE	SERIES	BODY	ENGINE	TRANS	TRIM	DESCRIPTION
1									HOUSING, Heater
	5013 734AA	1	U						Export
	5013 739AA	1	U						
-2	5013 733AA	1	U						HOUSING, A/C Upper
3	5013 738AA	1	U						HOUSING, A/C Lower
4	4864 951	1	U						RING
5	4864 956	1	U						BLOWER
6	4864 957	1	U						RESISTOR, Blower Motor
7	4897 611AA	1	U						DOOR, Blend Air
8	4864 993	1	U						DOOR, Fresh Air
9									ACTUATOR, Vacuum
	4864 994	1	U						Defroster Door
	5016 597AA	1	U						Panel Door
10	4864 995	1	U						ACTUATOR, Vacuum
11	5013 741AA	1	U						ACTUATOR, Blend Door
12	5013 743AA	1	U						ADAPTER, Blend Door, A/C and Heater
-13									BRACKET, Blend Door Adapter, A/C and Heater, Serviced with Housing, (NOT SERVICED) (Not Serviced)
14	4864 996	1	U						ACTUATOR, Vacuum
15	4864 997AC	1	U						VACUUM HARNESS, Heater and A/C
-16	4864 998AC	1	U						HARNESS, Heater Vacuum
17	4874 044AC	1	U						EVAPORATOR KIT, A/C
18	4874 046	1	U						CORE, Heater
19	4874 066	1	U						SEAL, Defroster Duct
20	4874 068	1	U						SEAL, Vent
21	4874 070AB	1	U						SEAL KIT, A/C And Heater Unit
-22	4874 072AB	1	U						SEAL KIT, A/C And Heater Unit
23	5525 4848	4							WASHER, Sealing
24	4874 079	1	U						COVER, Recirculating Valve
25	5013 744AA	1	U						WIRING, Air Conditioning Module
26	4874 089	1	U						DUCT, Floor Distribution
27									SCREW, Hex Head, M4.8-1.59x19, (NOT SERVICED) (Not Serviced)
-28	4644 127	1	U						CLIP, Air Conditioning, 25mm Diameter

JEEP WRANGLER (TJ)

SERIES	LINE	BODY	ENGINE	TRANSMISSION
H = Sport	J = Wrangler 4WD	77 = 93.4 WB	ED1, ED0 = 2.4L DOHC	DGG, DGD = 32RH 3 Spd Auto
L = SE	U = Wrangler 4WD (RHD)		ERH = 4.0L Power Tech	DDD = 5 Speed HD Manual
M = X				DG0 = Auto. Trans.
P = Sahara				DBB = Manual Trans.
S = Rubicon				DDK = 5 Speed Manual

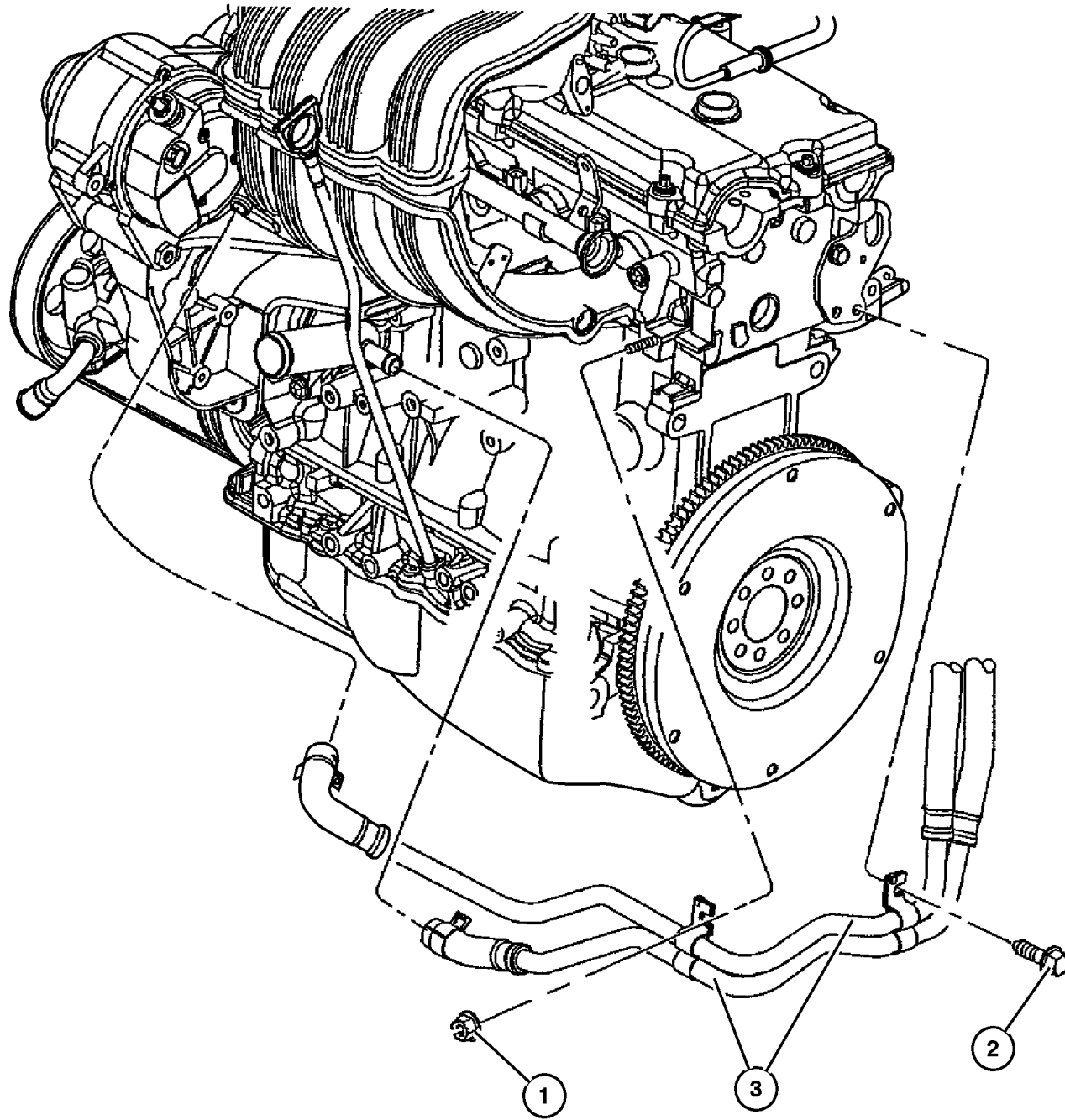
AR = Use as required - = Non illustrated part # = New this model year

September 29, 2003



Hoses, Heater 2.4L Engine  
Figure 024-210

ITEM	PART NUMBER	QTY	LINE	SERIES	BODY	ENGINE	TRANS	TRIM	DESCRIPTION
1	6101 445	2	J						NUT AND WASHER, Hex Nut-Coned Washer, M8 x 1.25
2	6505 178AA	1				ED0			SCREW, Hex Head
3	#55037 591AD	1	J			ED0			TUBE & HOSE, Supply & Return



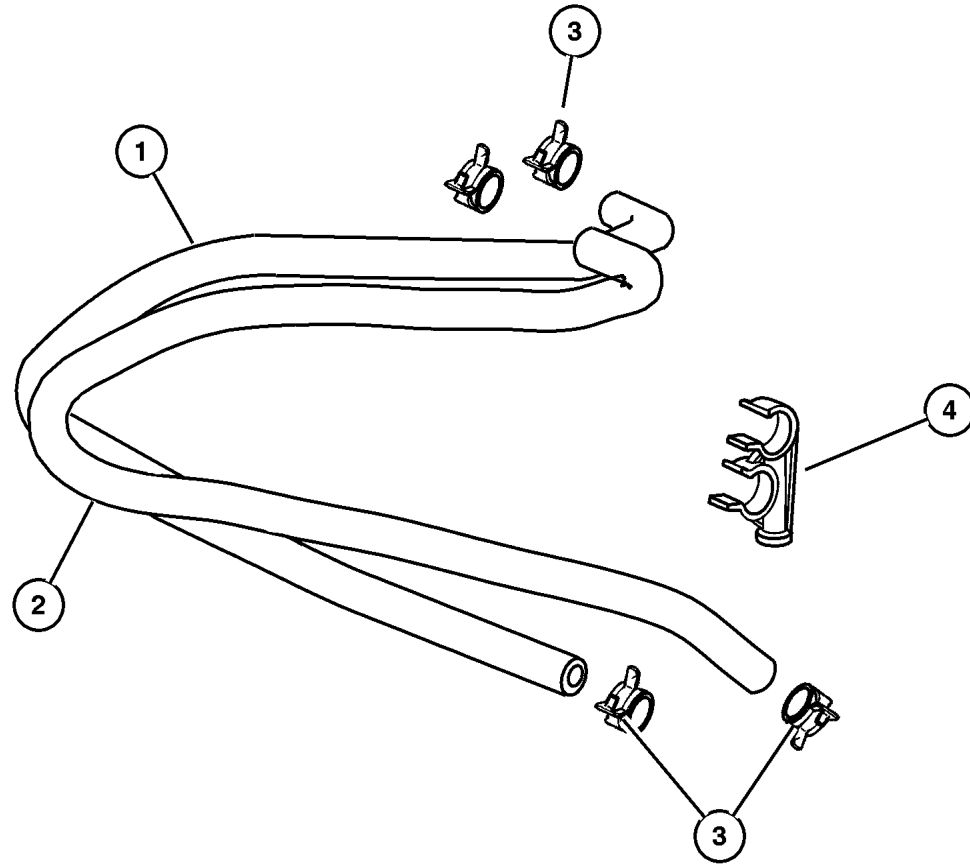
JEEP WRANGLER (TJ)

SERIES	LINE	BODY	ENGINE	TRANSMISSION
H = Sport	J = Wrangler 4WD	77 = 93.4 WB	ED1, ED0 = 2.4L DOHC	DGG, DGD = 32RH 3 Spd Auto
L = SE	U = Wrangler 4WD (RHD)		ERH = 4.0L Power Tech	DDD = 5 Speed HD Manual
M = X				DG0 = Auto. Trans.
P = Sahara				DBB = Manual Trans.
S = Rubicon				DDK = 5 Speed Manual

AR = Use as required - = Non illustrated part # = New this model year

September 29, 2003

## Hoses, Heater 4.0L Engine Figure 024-220



ITEM	PART NUMBER	QTY	LINE	SERIES	BODY	ENGINE	TRANS	TRIM	DESCRIPTION
Note: Sales Code ER0 = 4.0L Gas Engine									
1	55036 382AD	1	U			ER0			HOSE, Heater Return
	55038 223AC	1	J			ER0			
2	55036 380AC	1	U			ER0			HOSE, Heater Supply
	55038 128AC	1	J			ER0			
3									CLAMP, Heater Hose, (NOT SERVICED) (Not Serviced)
4	5503 5933	2	U			ED0, ER0			BRACKET, Hose
		1	J			ED0, ER0			
-5	55037 293AB	1	U						BRACKET, Hose
-6	HHR00 034AA	1							HOSE 1FT, Heater, 3/4"

**JEEP WRANGLER (TJ)**

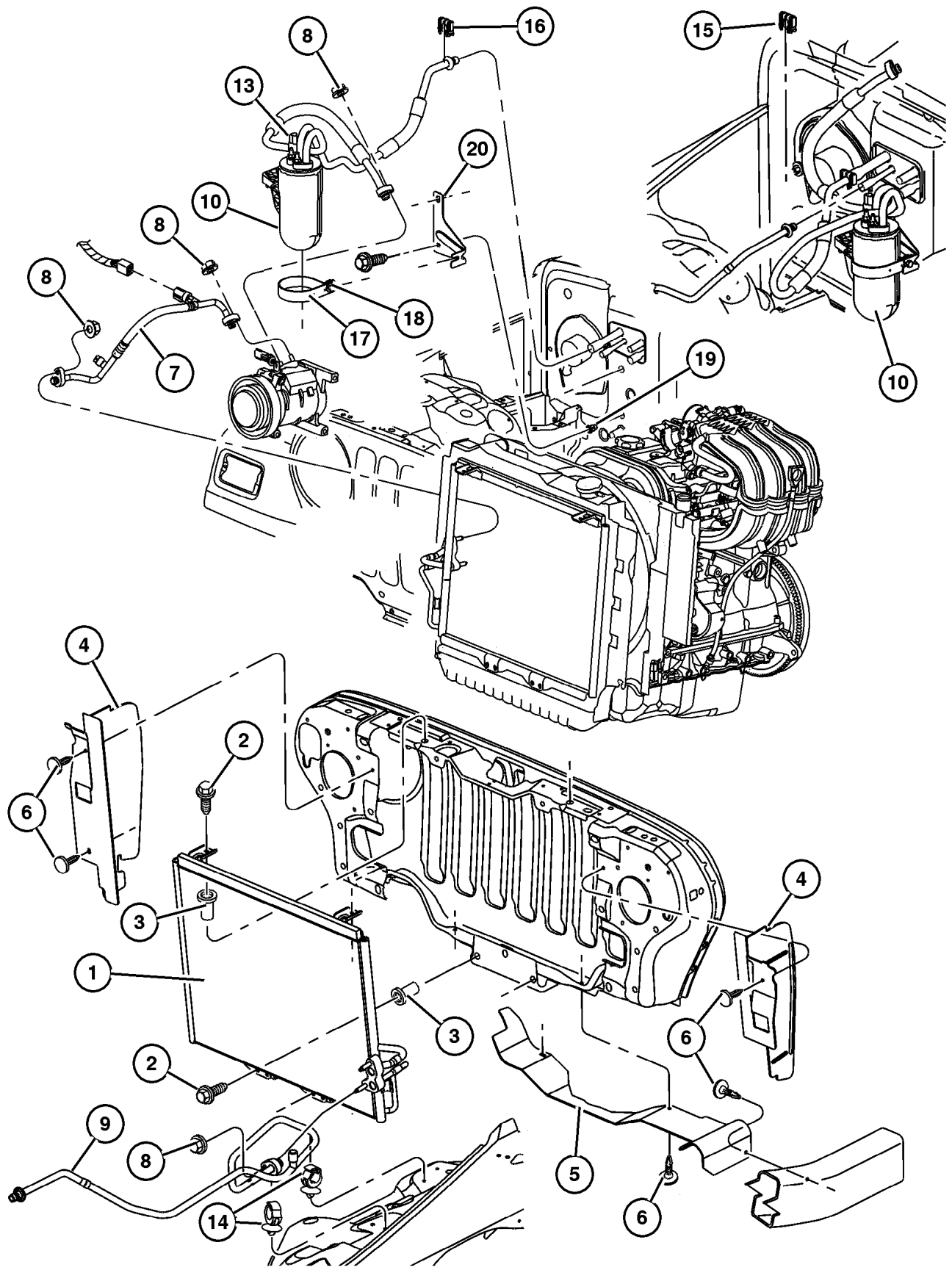
SERIES	LINE	BODY	ENGINE	TRANSMISSION
H = Sport	J = Wrangler 4WD	77 = 93.4 WB	ED1, ED0 = 2.4L DOHC	DGG, DGD = 32RH 3 Spd Auto
L = SE	U = Wrangler 4WD (RHD)		ERH = 4.0L Power Tech	DDD = 5 Speed HD Manual
M = X				DG0 = Auto. Trans.
P = Sahara				DBB = Manual Trans.
S = Rubicon				DDK = 5 Speed Manual

AR = Use as required - = Non illustrated part # = New this model year

September 29, 2003

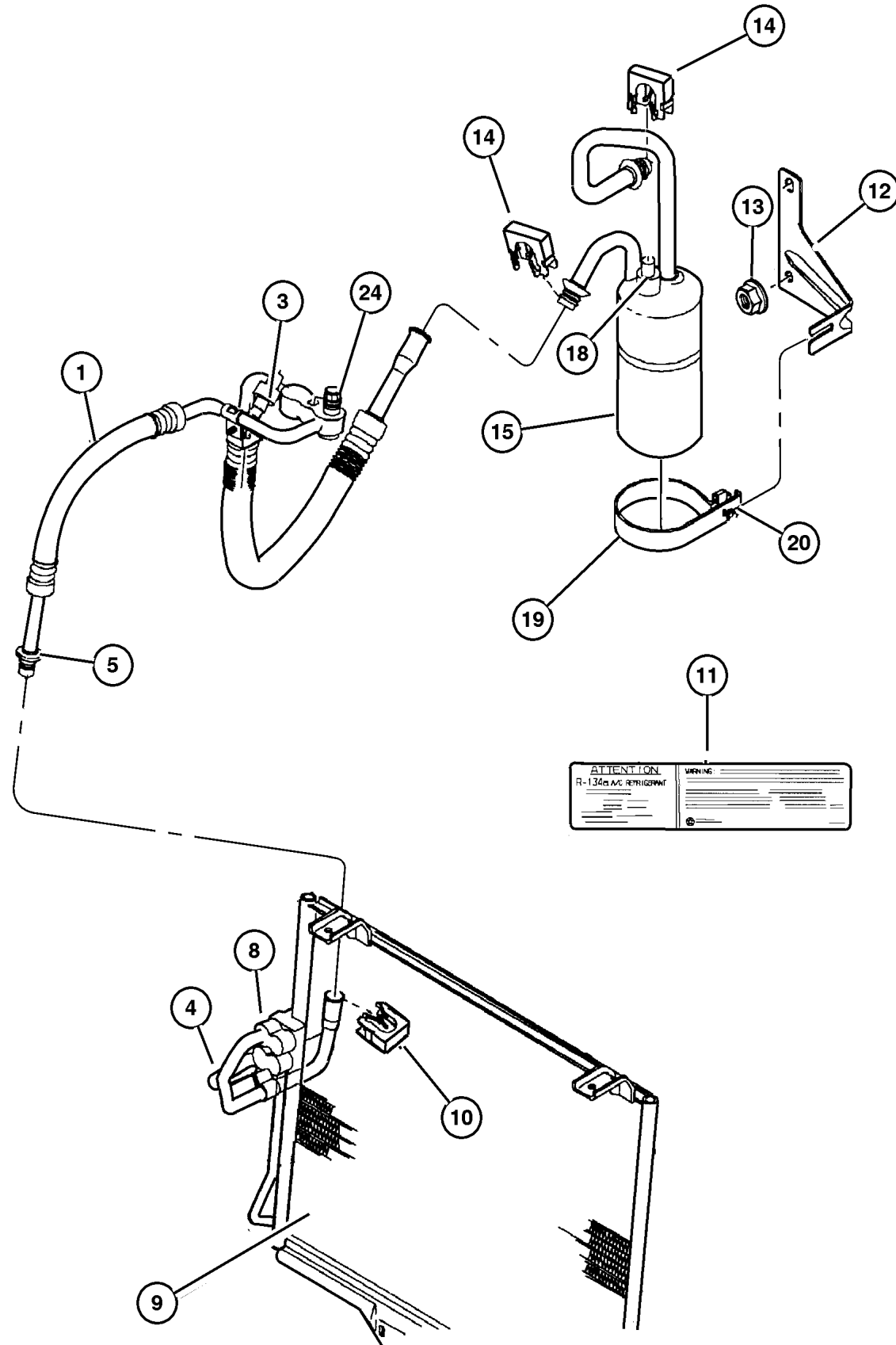
Plumbing, Hevac 2.4L Engine  
Figure 024-225

ITEM	PART NUMBER	QTY	LINE	SERIES	BODY	ENGINE	TRANS	TRIM	DESCRIPTION
1	#55037 618AC	1	J						CONDENSER, Air Conditioning
2	0154 892AA	4							BOLT, Hex Head, .25-20x.75
3	J400 3120	4							WELL NUT, .25-20x.63
4	55036 866AC	1							SEAL, Condenser Right
	5503 6867	1							Left
5	5503 6369	1							SEAL, Condenser, Lower
6	6030 441	3				ED0, ER0			PIN, Retainer
7	#55037 579AA	1	J			ED0			LINE, A/C Discharge Up To 10-2-02
	#55037 579AB	1	J			ED0			After 10-2-02
8	6506 152AA	1							NUT AND CONED WASHER, Hex, M8x1.25
9	#55037 706AA	1	J			ED0			LINE, A/C Liquid Up To 10-2-02
	#55037 706AC	1	J			ED0			After 10-2-02
10	#55037 584AG	1	J			ED0			ACCUMULATOR, Suction Line, After 10-2-02
-11	5012 348AA	1	J			ED0			O RING, A/C Suction Line
-12	4796 294	2	J			ED0			O RING KIT, Quick Connect
13	#5096 126AA	1	J			ED0			SWITCH KIT, A/C - Pressure
14	5503 6022	2							CLIP, A/C Liquid Line
15	4596 153	1							CLIP, A/C Quick Disconnect
16	4596 152	1							CLIP, A/C Quick Disconnect
17	55037 696AA	1							BAND, Accumulator Retaining
18	6101 442	1	J						U-NUT, M6 x 1.00, M6x1.00
19	6503 245	2							RIVET
20	5503 6304	1	U						BRACKET, Accumulator
-21	4897 617AA	1	J			ED0			SWITCH, A/C High Pressure Cut Off
-22	#5101 886AA	1	J			ED0			ORIFICE, Liquid Line



**JEEP WRANGLER (TJ)**  
 SERIES LINE BODY ENGINE TRANSMISSION  
 H = Sport J = Wrangler 4WD 77 = 93.4 WB ED1, ED0 = 2.4L DOHC DGG, DGD = 32RH 3 Spd Auto  
 L = SE U = Wrangler 4WD (RHD) ERH = 4.0L Power Tech DDD = 5 Speed HD Manual  
 M = X DBB = Manual Trans.  
 P = Sahara DDK = 5 Speed Manual  
 S = Rubicon

**Plumbing, Hevac 4.0L Engine, LHD**  
**Figure 024-235**



ITEM	PART NUMBER	QTY	LINE	SERIES	BODY	ENGINE	TRANS	TRIM	DESCRIPTION
Note: Sales Code ER0 = 4.0L Gas Engine									
1	#55037 599AB	1				ER0			LINE, A/C Discharge Up To 10-2-02
	#55037 599AE	1				ER0			After 10-2-02
-2									GASKET & O RING KIT, A/C Line
	5066 497AA	2				ER0			To Compressor
	5066 498AA	1	J			ER0			
3	#5096 126AA	1	J			ER0			SWITCH KIT, A/C - Pressure
4									LINE, A/C Liquid
	#55037 581AC	1	J						Up To 10-2-02
	#55037 581AE	1	J			ER0			After 10-2-02
5	5066 497AA	2				ER0			GASKET & O RING KIT, A/C Line
-6	4796 565	1	J			ER0			O RING, A/C Line
-7	6036 153AA	1				ER0			NUT, Hex, .437-14, A/C Line to Engine Block
8	5503 6022	2							CLIP, A/C Liquid Line
9									CONDENSER, Air Conditioning
	#55037 618AC	1	J						Up To 10-2-02
	#55037 618AE	1	J						After 10-2-02
10	4596 152	1	J						CLIP, A/C Quick Disconnect
11	#55037 555AC	1							LABEL, Refrigerant
12	5503 6303	1	J			ER0			BRACKET, Accumulator
13									NUT, (NOT SERVICED) (Not Serviced)
14	4596 152	1	J						CLIP, A/C Quick Disconnect
15	#55037 600AC	1	J			ER0			ACCUMULATOR, Suction Line
-16									LINE, A/C Suction
	#55037 602AC	1	J			ER0			Up To 10-2-02
	#55037 602AD	1	J			ER0			After 10-2-02
-17	4796 564	2	J			ER0			O RING, A/C Line
18	5015 872AC	1	J			ED0			SWITCH, A/C Low Pressure Cut Off, 05015872AC
19	55037 696AA	1							BAND, Accumulator Retaining
20									SCREW, (NOT SERVICED) (Not Serviced)
-21	4897 617AA	1				ER0			SWITCH, A/C High Pressure Cut Off
-22	55037 529AA	1				ER0			BRACKET, A/C Line
-23	#5101 886AA	1	J			ER0			ORIFICE, Liquid Line
24	4882 335	1	J			ER0			CAP, A/C Check Valve

**JEEP WRANGLER (TJ)**

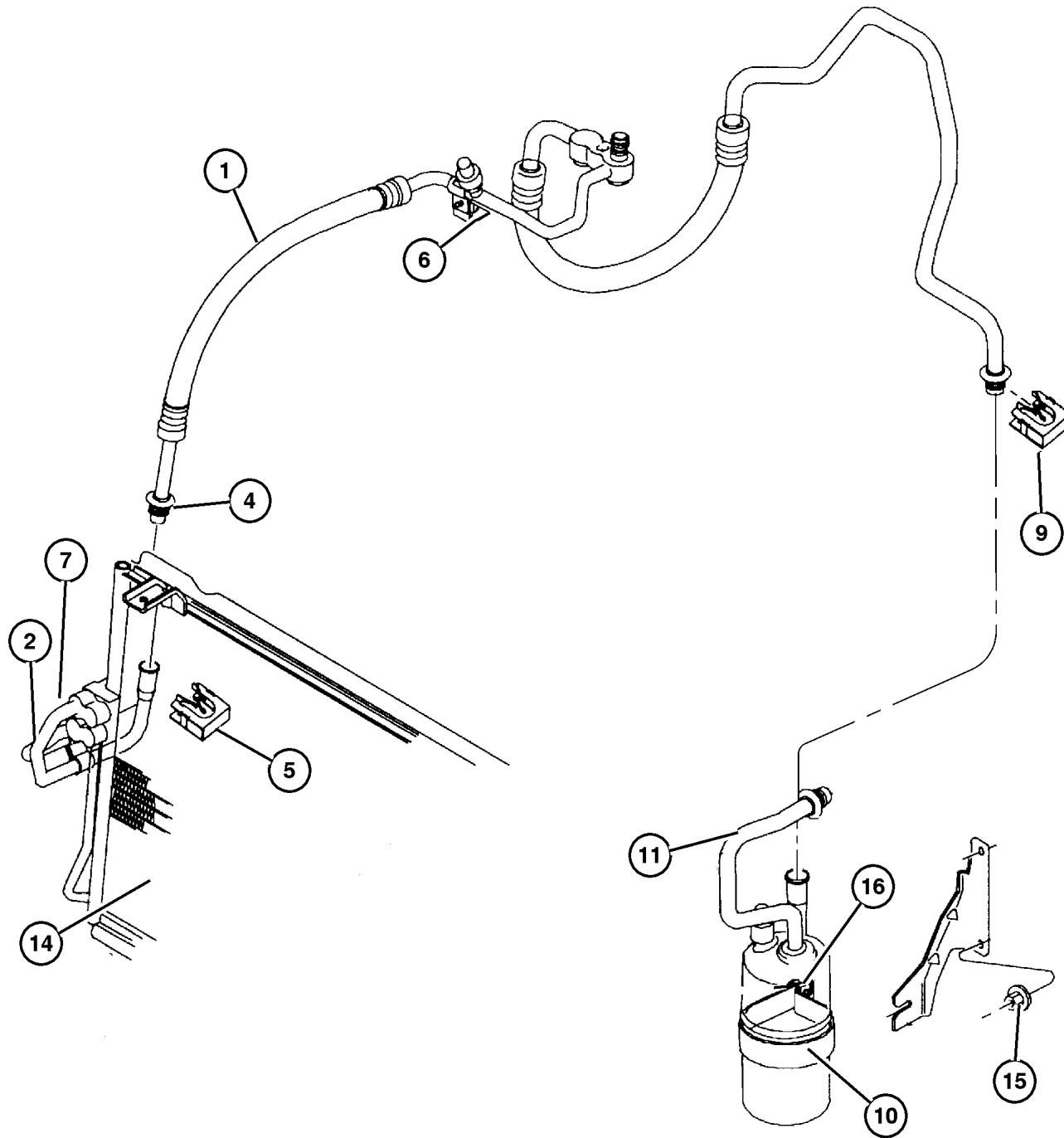
<b>SERIES</b>	<b>LINE</b>	<b>BODY</b>	<b>ENGINE</b>	<b>TRANSMISSION</b>
H = Sport	J = Wrangler 4WD	77 = 93.4 WB	ED1, ED0 = 2.4L DOHC	DGG, DGD = 32RH 3 Spd Auto
L = SE	U = Wrangler 4WD (RHD)		ERH = 4.0L Power Tech	DDD = 5 Speed HD Manual
M = X				DG0 = Auto. Trans.
P = Sahara				DBB = Manual Trans.
S = Rubicon				DDK = 5 Speed Manual

AR = Use as required - = Non illustrated part # = New this model year

September 29, 2003

**Plumbing, Hevac 4.0L Engine, RHD**  
**Figure 024-240**

ITEM	PART NUMBER	QTY	LINE	SERIES	BODY	ENGINE	TRANS	TRIM	DESCRIPTION
Note: Sales Code ER0 = 4.0L Gas Engine									
1	#55037 599AB	1				ER0			LINE, A/C Discharge
2	#55037 583AD	1	U			ER0			LINE, A/C Liquid
-3	6036 153AA	1				ER0			NUT, Hex, .437-14, A/C Line to Engine Block
4	5066 497AA	2				ER0			GASKET & O RING KIT, A/C Line
	5066 498AA	1	U			ER0			To Compressor
5	5503 6022	2							CLIP, A/C Liquid Line
6	55036 782AB	1	U			ER0			RETAINER, A/C Supply Line
7	#55037 582AC	1	U			ER0			TUBE, A/C Liquid Line
	#55037 582AD	1	U			ER0			Up To 10-2-02
									After 10-2-02
-8	4596 152	2	U						CLIP, A/C Quick Disconnect
9	5503 6304	1	U						BRACKET, Accumulator
10	55037 696AA	1							BAND, Accumulator Retaining
11	#55037 585AA	1	U			ER0			ACCUMULATOR, Suction Line
-12									LINE, A/C Suction
	#55037 601AA	1	U			ER0			Up To 10-2-02
	#55037 601AB	1	U			ER0			After 10-2-02
-13	4596 152	2	U						CLIP, A/C Quick Disconnect
14									CONDENSER, Air Conditioning
	#55037 619AD	1	U			ER0			Up To 10-2-02
	#55037 619AE	1	U			ER0			After 10-2-02
15									NUT, (NOT SERVICED) (Not Serviced)
16									SCREW, (NOT SERVICED) (Not Serviced)
-17	4897 617AA	1				ER0			SWITCH, A/C High Pressure Cut Off
-18	5072 141AA	1	U			ER0			GASKET & O RING KIT, A/C Line
-19	#5101 886AA	1	U			ER0			ORIFICE, Liquid Line



**JEEP WRANGLER (TJ)**

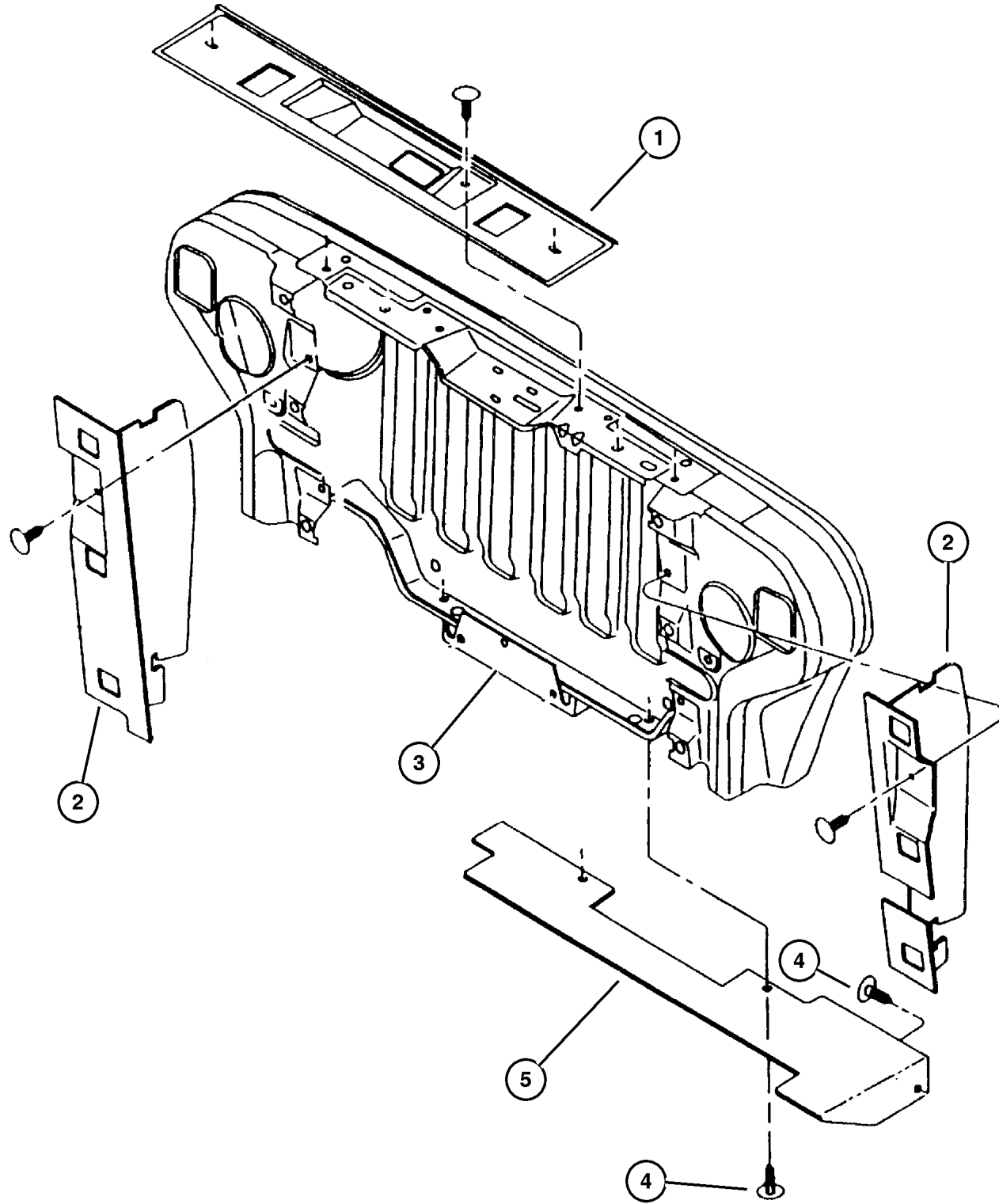
SERIES	LINE	BODY	ENGINE	TRANSMISSION
H = Sport	J = Wrangler 4WD	77 = 93.4 WB	ED1, ED0 = 2.4L DOHC	DGG, DGD = 32RH 3 Spd Auto
L = SE	U = Wrangler 4WD (RHD)		ERH = 4.0L Power Tech	DDD = 5 Speed HD Manual
M = X				DG0 = Auto. Trans.
P = Sahara				DBB = Manual Trans.
S = Rubicon				DDK = 5 Speed Manual

AR = Use as required - = Non illustrated part # = New this model year

September 29, 2003

Seals, A/C Condenser  
Figure 024-245

ITEM	PART NUMBER	QTY	LINE	SERIES	BODY	ENGINE	TRANS	TRIM	DESCRIPTION
1	5503 6369	1							SEAL, Condenser
2	55036 866AC	1							SEAL, Condenser
3	5503 6867	1							SEAL, Condenser, Condenser to Grille
4	6030 441	12							PIN, Retainer, Push
5	5503 6369	1							SEAL, Condenser, Lower



JEEP WRANGLER (TJ)  
 SERIES LINE BODY ENGINE TRANSMISSION  
 H = Sport J = Wrangler 4WD 77 = 93.4 WB ED1, ED0 = 2.4L DOHC DGG, DGD = 32RH 3 Spd Auto  
 L = SE U = Wrangler 4WD (RHD) ERH = 4.0L Power Tech DDD = 5 Speed HD Manual  
 M = X DG0 = Auto. Trans.  
 P = Sahara DBB = Manual Trans.  
 S = Rubicon DDK = 5 Speed Manual

AR = Use as required - = Non illustrated part # = New this model year

September 29, 2003



**Control, Heater And A/c  
Figure 024-310**

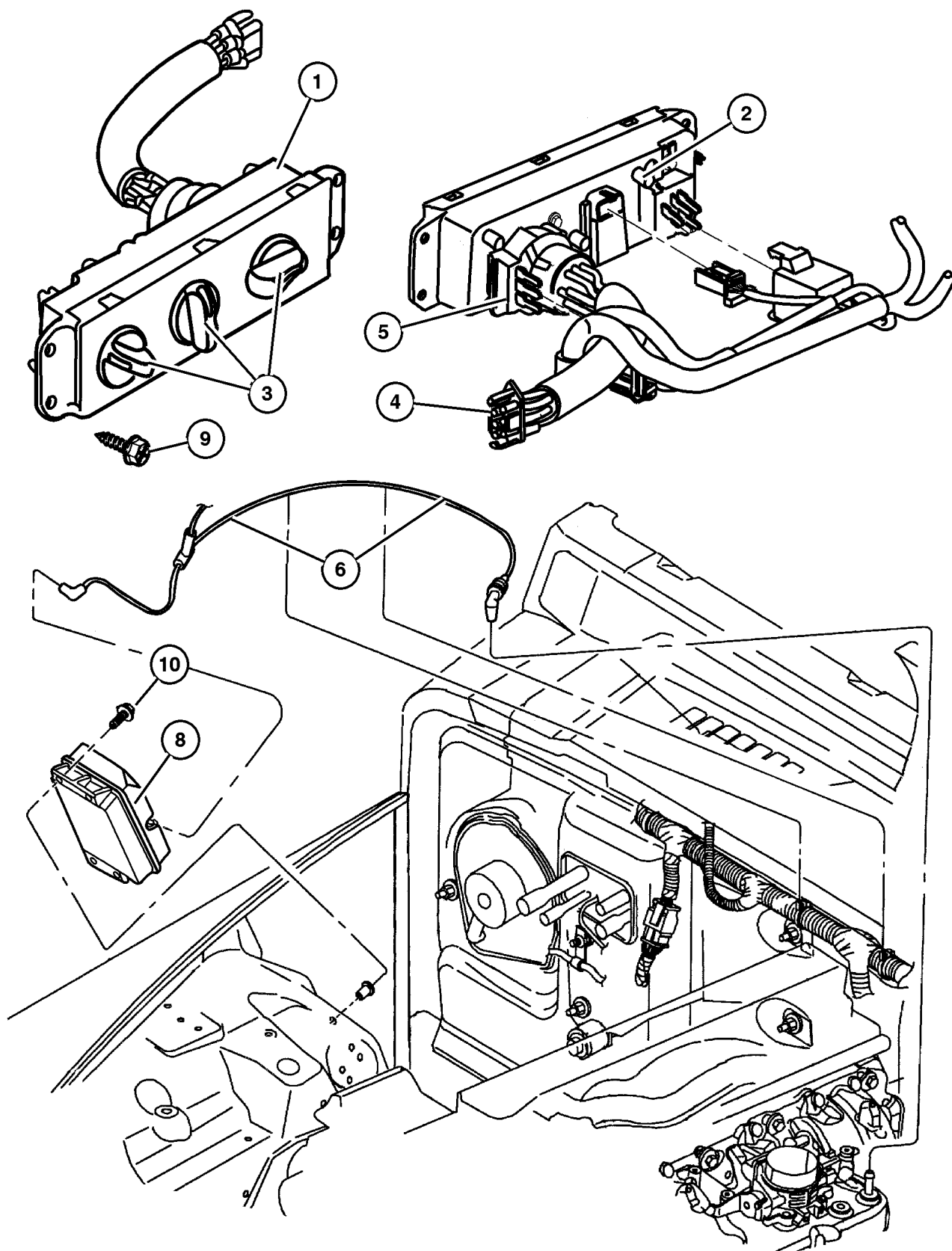
ITEM	PART NUMBER	QTY	LINE	SERIES	BODY	ENGINE	TRANS	TRIM	DESCRIPTION
Note: Sales Code ED0 = 2.4L Gas Engine									
Note: Sales Code ER0 = 4.0L Gas Engine									
1	55037 612AA	1	J						CONTROL, A/C And Heater With Air Conditioning
	55037 611AA	1	J						Without Air Conditioning
	55037 472AB	1	U						Without Air Conditioning
	55037 473AB	1	U						With Air Conditioning
2	5013 829AA	1	U						BULB, Heater and A/C Control
3									KNOB, A/C And Heater Control - Rotary
	5011 218AC	1	U						
		1	J						
4									HARNES, A/C And Heater Vacuum
	5013 830AA	1	U						Without Air Conditioning
	5013 831AA	1	U						With Air Conditioning
5									SWITCH, A/C and Heater Vacuum
	5013 832AA	1	U						Without Air Conditioning
	5013 833AA	1	U						With Air Conditioning
6									HOSE AND VALVE, Vacuum
	#55037 576AC	1	J			ED0			
	#55037 637AB	1	J			ER0			
	#55037 638AB	1	U			ER0			
-7	5503 7314	1	J						CLIP, Vacuum Harness
8	5503 5614	1							RESERVOIR, Vacuum, Cruise Control
9	6034 205	2							SCREW, Pan Head, .19-32x.625
10	6034 949	4							SCREW, M4.2x1.69x19.05

**JEEP WRANGLER (TJ)**

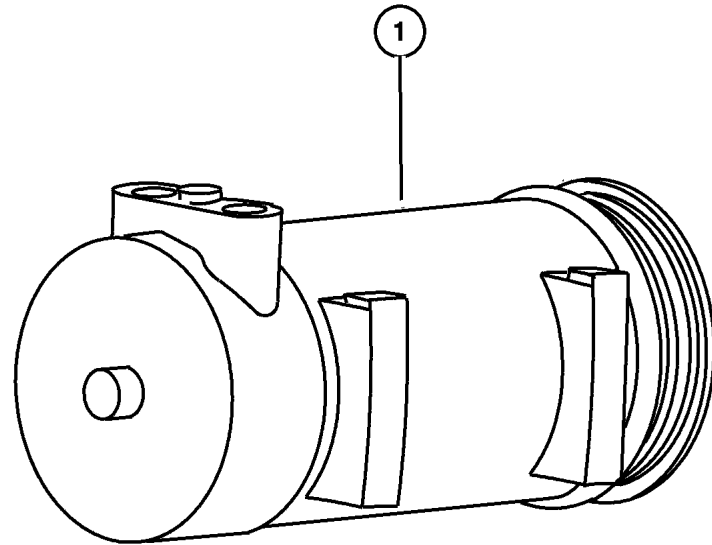
SERIES	LINE	BODY	ENGINE	TRANSMISSION
H = Sport	J = Wrangler 4WD	77 = 93.4 WB	ED1, ED0 = 2.4L DOHC	DGG, DGD = 32RH 3 Spd Auto
L = SE	U = Wrangler 4WD (RHD)		ERH = 4.0L Power Tech	DDD = 5 Speed HD Manual
M = X				DG0 = Auto. Trans.
P = Sahara				DBB = Manual Trans.
S = Rubicon				DDK = 5 Speed Manual

AR = Use as required - = Non illustrated part # = New this model year

September 29, 2003



**Compressor, Air Conditioning  
Figure 024-410**



ITEM	PART NUMBER	QTY	LINE	SERIES	BODY	ENGINE	TRANS	TRIM	DESCRIPTION
Note: Sales Code ED0 = 2.4L Gas Engine									
Note: Sales Code ER0 = 4.0L Gas Engine									
1									COMPRESSOR, Air Conditioning
	#55037 578AB	1				ED0			
	#55037 617AB	1				ER0			
-2									CLUTCH, A/C Compressor, Shim Package
	5014 092AA	1				ED0			
		1				ER0			
-3									COIL, Air Conditioning Clutch
	5072 863AA	1				ED0			
		1				ER0			
-4									PULLEY HUB KIT, A/C Compressor
	4720 834	1				ED0			
		1				ER0			
-5									MANIFOLD KIT, A/C Compressor
	5014 093AA	1				ED0			
		1				ER0			
-6									BOLT KIT, A/C Compressor Manifold
	5264 457	1				ED0			
		1				ER0			
-7	4728 854	1				ER0			SEAL, Manifold To Compressor
-8									SNAP RING KIT, A/C Clutch
	5264 454	1				ED0			
		1				ER0			
-9	6507 372AA	2				ED0			STUD, Double Ended, Compressor Mounting

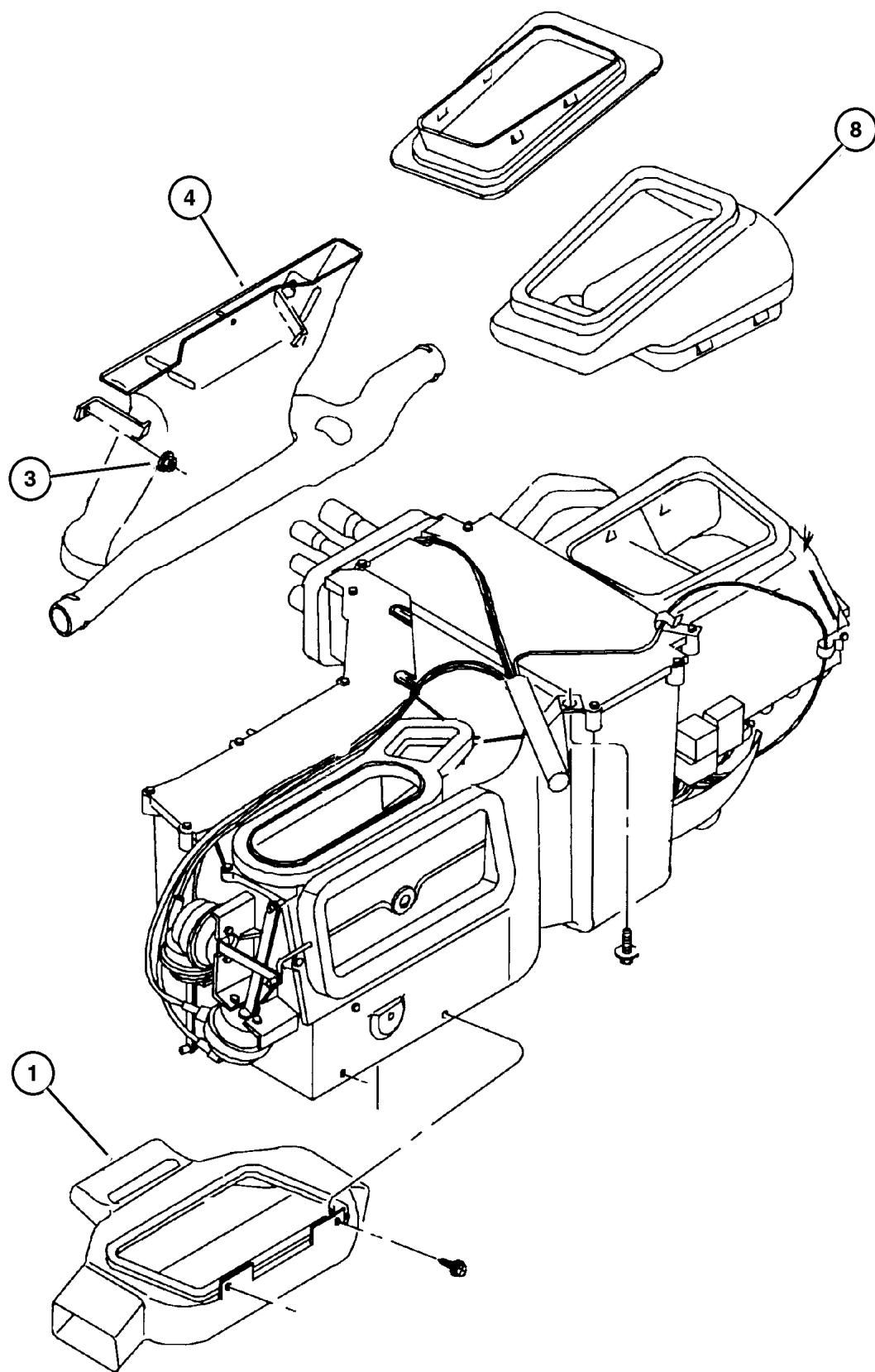
**JEEP WRANGLER (TJ)**

SERIES	LINE	BODY	ENGINE	TRANSMISSION
H = Sport	J = Wrangler 4WD	77 = 93.4 WB	ED1, ED0 = 2.4L DOHC	DGG, DGD = 32RH 3 Spd Auto
L = SE	U = Wrangler 4WD (RHD)		ERH = 4.0L Power Tech	DDD = 5 Speed HD Manual
M = X				DG0 = Auto. Trans.
P = Sahara				DBB = Manual Trans.
S = Rubicon				DDK = 5 Speed Manual

AR = Use as required - = Non illustrated part # = New this model year

September 29, 2003

Ducts, Heater And A/c  
Figure 024-610



ITEM	PART NUMBER	QTY	LINE	SERIES	BODY	ENGINE	TRANS	TRIM	DESCRIPTION
1	4874 089	1	U						DUCT, Floor Distribution
-2									DUCT, A/C Outlet
	#55037 596AB	1	J						
	#55037 598AB	1	U						
3	6100 839	2							NUT, Push, M5
4									DUCT, Door Demister
	5511 5576	1	J						Right
		1	U						Right
	5511 5577	1	J						Left
		1	U						Left
-5									ADAPTER, Demister
	#55037 640AA	1	J						Right
		1	U						Right
	#55037 641AA	1	J						Left
		1	U						Left
-6	5511 5161	1	J						DUCT, Defroster, Demister
-7	5503 6468	1	U						DUCT, Demister, Demister
8									DUCT, Fresh Air
	55037 540AA	1	J						
	55037 541AA	1	U						
-9	55036 467AB	1	U						DUCT, Fresh Air Intake
-10									OUTLET, Air Conditioning & Heater
	5DP5 4XDV	1	U						[DV], Right
	5DP5 4ZJ3	1	J						[J3], Right
	5DP5 5XDV	1	J						[DV], Left
	5DP5 5ZJ3	1	J						[J3], Left

JEEP WRANGLER (TJ)

SERIES	LINE	BODY	ENGINE	TRANSMISSION
H = Sport	J = Wrangler 4WD	77 = 93.4 WB	ED1, ED0 = 2.4L DOHC	DGG, DGD = 32RH 3 Spd Auto
L = SE	U = Wrangler 4WD (RHD)		ERH = 4.0L Power Tech	DDD = 5 Speed HD Manual
M = X				DG0 = Auto. Trans.
P = Sahara				DBB = Manual Trans.
S = Rubicon				DDK = 5 Speed Manual

AR = Use as required - = Non illustrated part # = New this model year

September 29, 2003

# Group – 025

## Emission Systems

### GROUP 25 - Emission Systems

Illustration Title

Group-Fig. No.

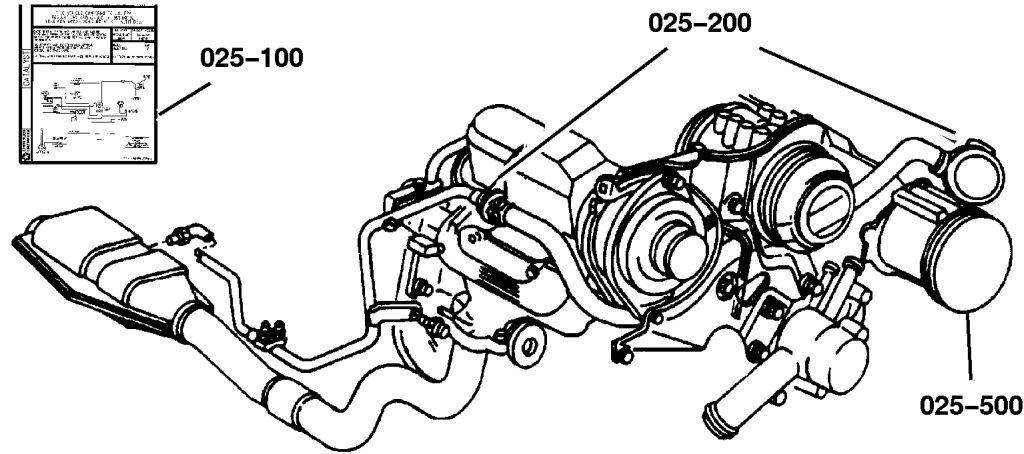
#### Vacuum Canister

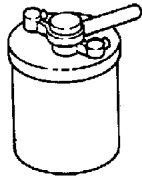
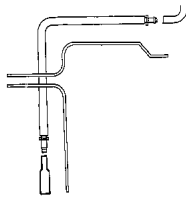
Vacuum Canister, 2.4 (ED1), 4.0 (ERH) ..... Fig. 025-310

#### Emission Harness

Emission Control Vacuum Harness, 2.4 (EP1), 4.0 (ERH) ..... Fig. 025-410

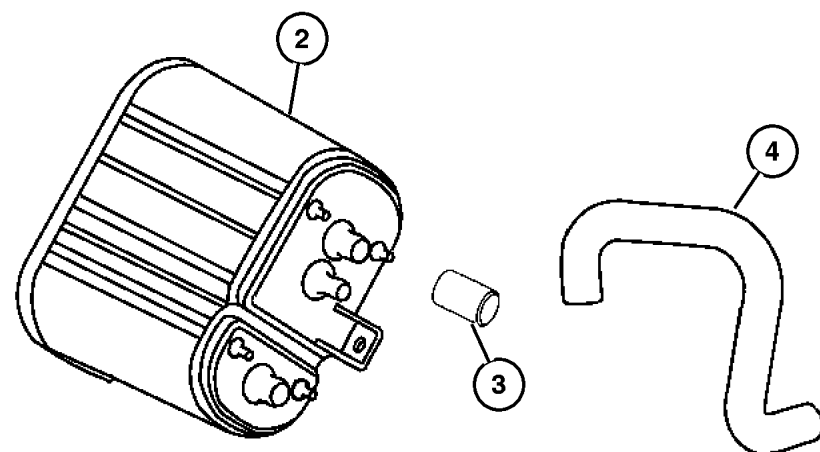
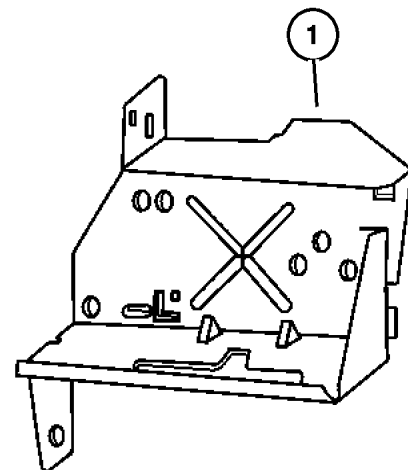
Leak Detection Pump, 2.4 (ED1), 4.0 (ERH) ..... Fig. 025-420



<p><b>025-300</b> Vacuum Canister</p> 	<p><b>025-400</b> Emission Harness</p> 		
---	--	--	--

Vacuum Canister, 2.4 (ED1), 4.0 (ERH)  
Figure 025-310

ITEM	PART NUMBER	QTY	LINE	SERIES	BODY	ENGINE	TRANS	TRIM	DESCRIPTION
Note:[ED1]= All 2.4 Gas Engines,[ ERO]= All 4.0 Gas Engines.									
1	#52109 504AC	1							BRACKET, Vapor Canister
2	#52109 503AB	1							CANISTER, Vapor
3	#52059 544AA	1							CAP, Vapor Canister
4	#52059 518AB	1							HOSE, Canister to LDP
-5	6101 447	4							NUT, [M8X1.256101447] , Bracket To Body
-6	6503 951	4							STUD, M6X1.00X.250-14X30.00
-7	4707 091	1							CLIP, Wiring, Canister Wiring
-8	#52059 521AD	1							HOSE
-9	#52059 579AA	1							HOSE, Filter to Canister
-10	4794 703AB	1							CONNECTOR, Wiring
-11	#52059 580AA	1							CONNECTOR, Vacuum



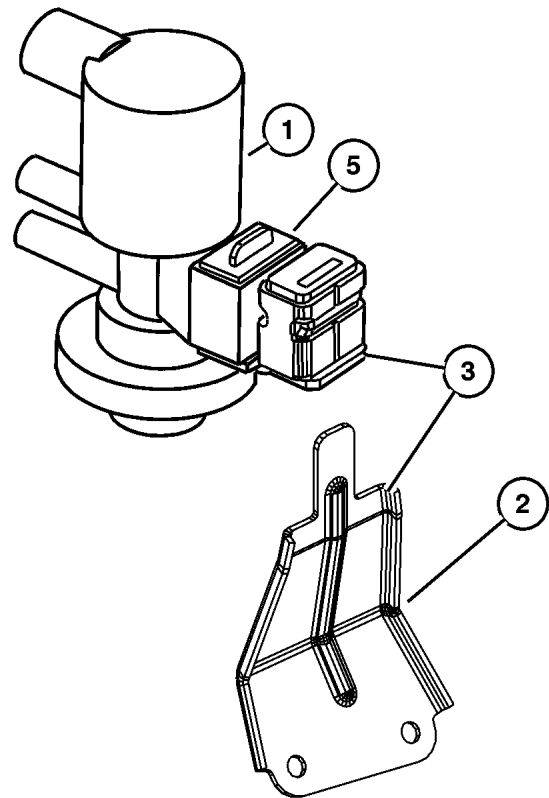
<b>JEEP WRANGLER (TJ)</b>				
SERIES	LINE	BODY	ENGINE	TRANSMISSION
H = Sport	J = Wrangler 4WD	77 = 93.4 WB	ED1, ED0 = 2.4L DOHC	DGG, DGD = 32RH 3 Spd Auto
L = SE	U = Wrangler 4WD (RHD)		ERH = 4.0L Power Tech	DDD = 5 Speed HD Manual
M = X				DG0 = Auto. Trans.
P = Sahara				DBB = Manual Trans.
S = Rubicon				DDK = 5 Speed Manual

AR = Use as required - = Non illustrated part # = New this model year

September 29, 2003

**Emission Control Vacuum Harness, 2.4 (EP1), 4.0 (ERH)  
Figure 025-410**

ITEM	PART NUMBER	QTY	LINE	SERIES	BODY	ENGINE	TRANS	TRIM	DESCRIPTION
NOTE:[ ED1]=All 2.4L Gas Engines [ ER0]=All 4.0L Engines, [ DDQ]= Manual Transmissions									
1	4669 475AB	1				ED1, ERH			SOLENOID, Duty Cycle Purge
2	#52059 549AA	1				ED1, ERH			BRACKET, Duty Cycle Purge Solenoid
3	5003 974AA	1				ED1, ERH			BRACKET PACKAGE, DCP, Includes Bracket And Bushings
-4									HARNESS, Vacuum Canister Purge, (NOT REQUIRED)
5	5303 0987	1				ED1, ERH			BUSHING, Isolator



**JEEP WRANGLER (TJ)**

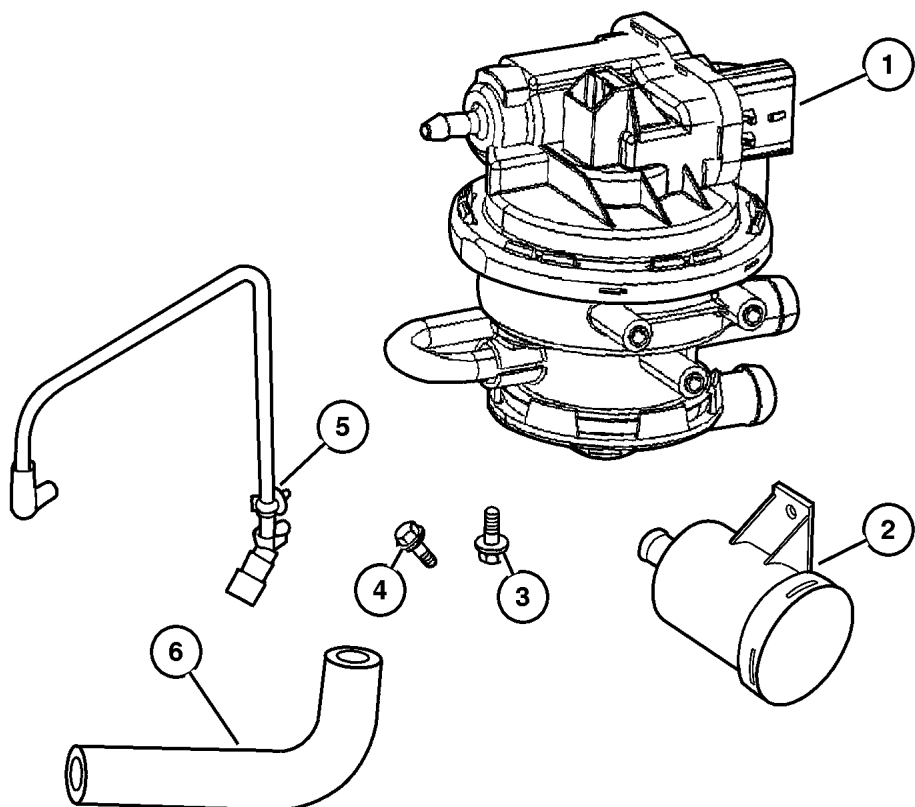
SERIES	LINE	BODY	ENGINE	TRANSMISSION
H = Sport	J = Wrangler 4WD	77 = 93.4 WB	ED1, ED0 = 2.4L DOHC	DGG, DGD = 32RH 3 Spd Auto
L = SE	U = Wrangler 4WD (RHD)		ERH = 4.0L Power Tech	DDD = 5 Speed HD Manual
M = X				DG0 = Auto. Trans.
P = Sahara				DBB = Manual Trans.
S = Rubicon				DDK = 5 Speed Manual

AR = Use as required - = Non illustrated part # = New this model year

September 29, 2003

**Leak Detection Pump, 2.4 (ED1), 4.0 (ERH)  
Figure 025-420**

ITEM	PART NUMBER	QTY	LINE	SERIES	BODY	ENGINE	TRANS	TRIM	DESCRIPTION
Note; ED1= All 24L Gas Engines, ERO= All 4.0 Gas Engines.									
1	4891 414AD	1							PUMP, Leak Detection
2	4612 901	1							FILTER, Fuel Vapor Vent
3									SCREW, Hex Flange Head Tapping, .25-14x.75, M6x1.00x11.00, (NOT SERVICED) (Not Serviced)
4									SCREW, Heat Shield, M6x1.00x13. 00, M5.28x1.8x15.0, (NOT SERVICED) (Not Serviced)
5	#52059 519AA	1							TUBE, Vacuum
6	#52109 507AB	1							HOSE, Leak Detection Pump to Filter
-7	#52059 521AD	1							HOSE
-8	#52059 521AC	1							HOSE



<b>JEEP WRANGLER (TJ)</b>				
SERIES	LINE	BODY	ENGINE	TRANSMISSION
H = Sport	J = Wrangler 4WD	77 = 93.4 WB	ED1, ED0 = 2.4L DOHC	DGG, DGD = 32RH 3 Spd Auto
L = SE	U = Wrangler 4WD (RHD)		ERH = 4.0L Power Tech	DDD = 5 Speed HD Manual
M = X				DG0 = Auto. Trans.
P = Sahara				DBB = Manual Trans.
S = Rubicon				DDK = 5 Speed Manual

AR = Use as required - = Non illustrated part # = New this model year

September 29, 2003

# Group – DTJ

## Doors and Related Parts

### GROUP DTJ - Doors and Related Parts

Illustration Title

Group-Fig. No.

#### Front Door

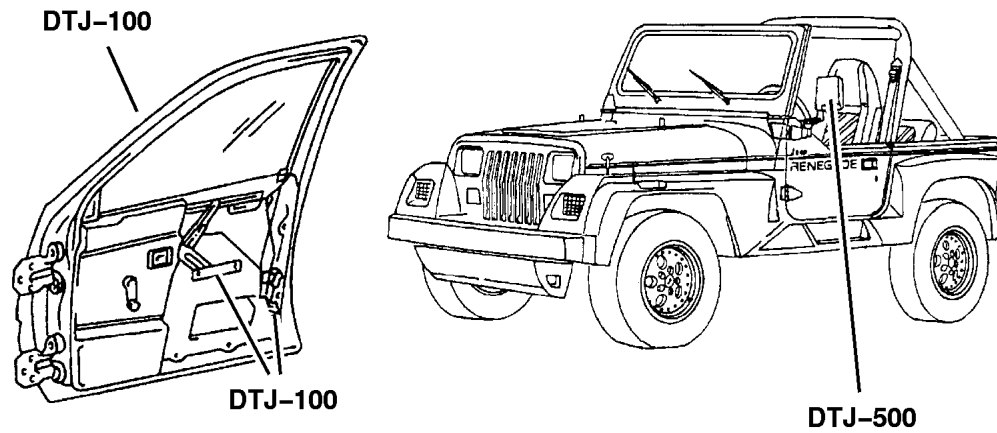
Door, Full Front Shell And Hinges .....	Fig. DTJ-110
Door, Full Front Glass And Regulator .....	Fig. DTJ-120
Door, Full Front Lock And Controls .....	Fig. DTJ-130
Door, Half Front Shell And Hinges .....	Fig. DTJ-160
Door, Half Front Lock And Controls .....	Fig. DTJ-170

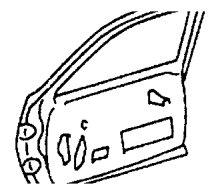
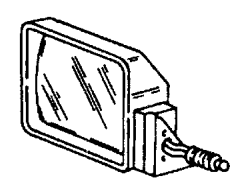
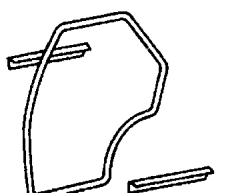
#### Exterior Mirror

Mirror, Exterior .....	Fig. DTJ-510
------------------------	--------------

#### Weatherstrips and Seals

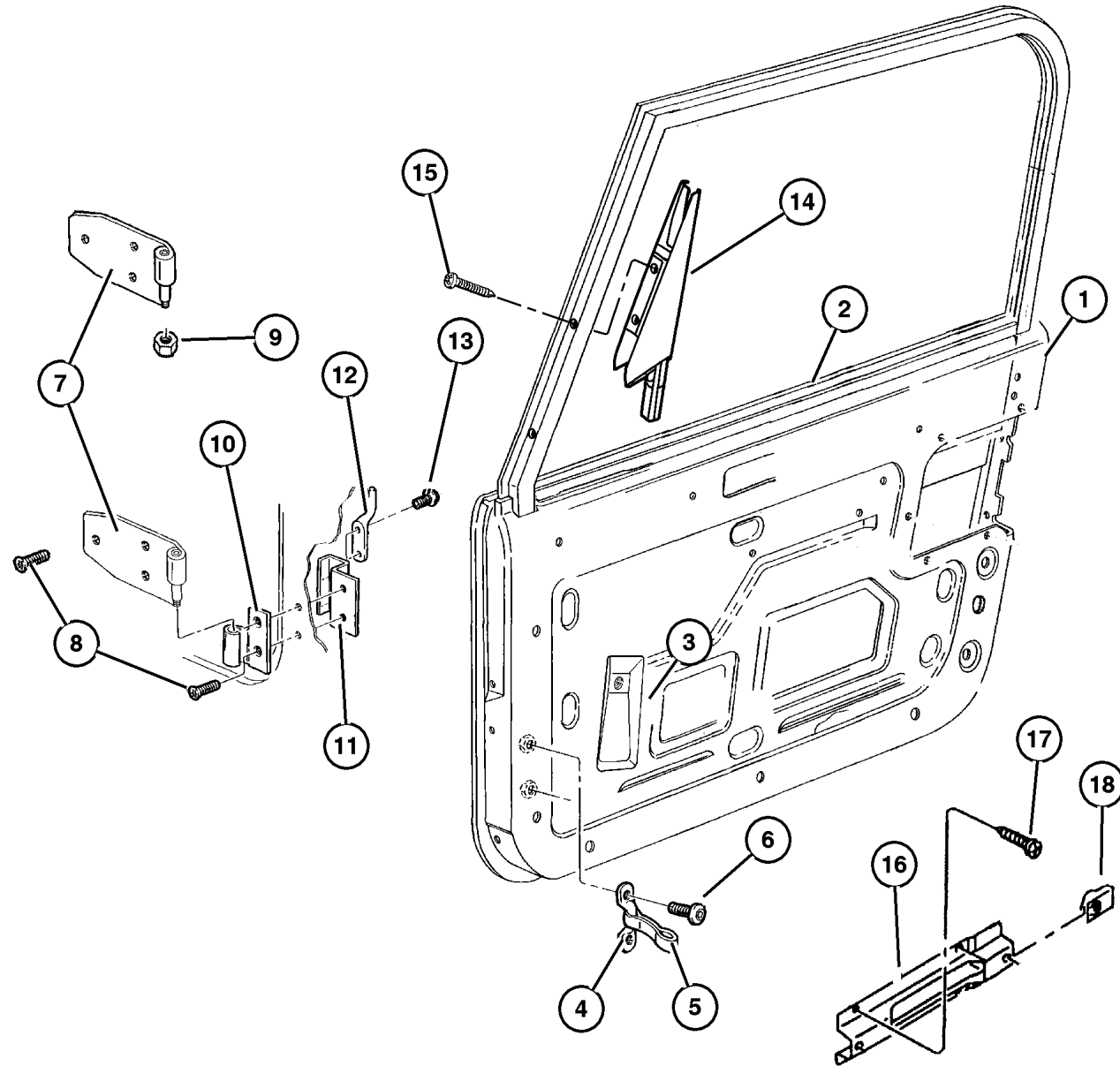
Door Weatherstrips And Runs .....	Fig. DTJ-610
-----------------------------------	--------------



<p><b>DTJ-100</b> Front Door</p> 	<p><b>DTJ-500</b> Exterior Mirror</p> 	<p><b>DTJ-600</b> Weatherstrips and Seals</p> 	
--	---	--	--



## Door, Full Front Shell And Hinges Figure DTJ-110



ITEM	PART NUMBER	QTY	LINE	SERIES	BODY	ENGINE	TRANS	TRIM	DESCRIPTION
1									DOOR, Front, Shell
	55176 536AE	1							[GCF], Right
	55176 537AE	1							[GCF], Left
2									PANEL, Door Outer
	55176 540AB	1							Right
	55176 541AB	1							Left
3									WATERSHIELD, Front Door
	55175 786AG	1							Right
	55175 787AG	1							Left
4	5501 3666	2							FOOTMAN LOOP, Hold Down
5	55176 339AB	2							CHECK, Front Door
6	6036 102AA	4							SCREW, .19-24.50
7									HINGE, Door Half
	5517 6366	1							Lower Right
	5517 6367	1							Lower Left
	5517 6368	1							Upper Right
	5517 6369	1							Upper Left
8	6504 443	12							SCREW
9	6504 417	4							NUT, Hex, M8x1.25
10									HINGE, Body Half
	55075 560AC	1							Right
	55075 561AC	1							Left
11	J545 9281	2							TAPPING PLATE, Door Hinge Body Half
12	J545 9286	2							PIN, Restraint Strap
13	6501 979	2							SCREW AND WASHER, Hex Head, M6x1x17
14									PANEL, Door Outer
	55176 568AC	1							Sail, Right
	55176 569AC	1							Sail, Left
15									SCREW, (NOT SERVICED) (Not Serviced)
16	55175 848AC	2							BRACKET, Grab Handle
17									SCREW, (NOT SERVICED) (Not Serviced)
18	6504 993AA	4							NUT

### JEEP WRANGLER (TJ)

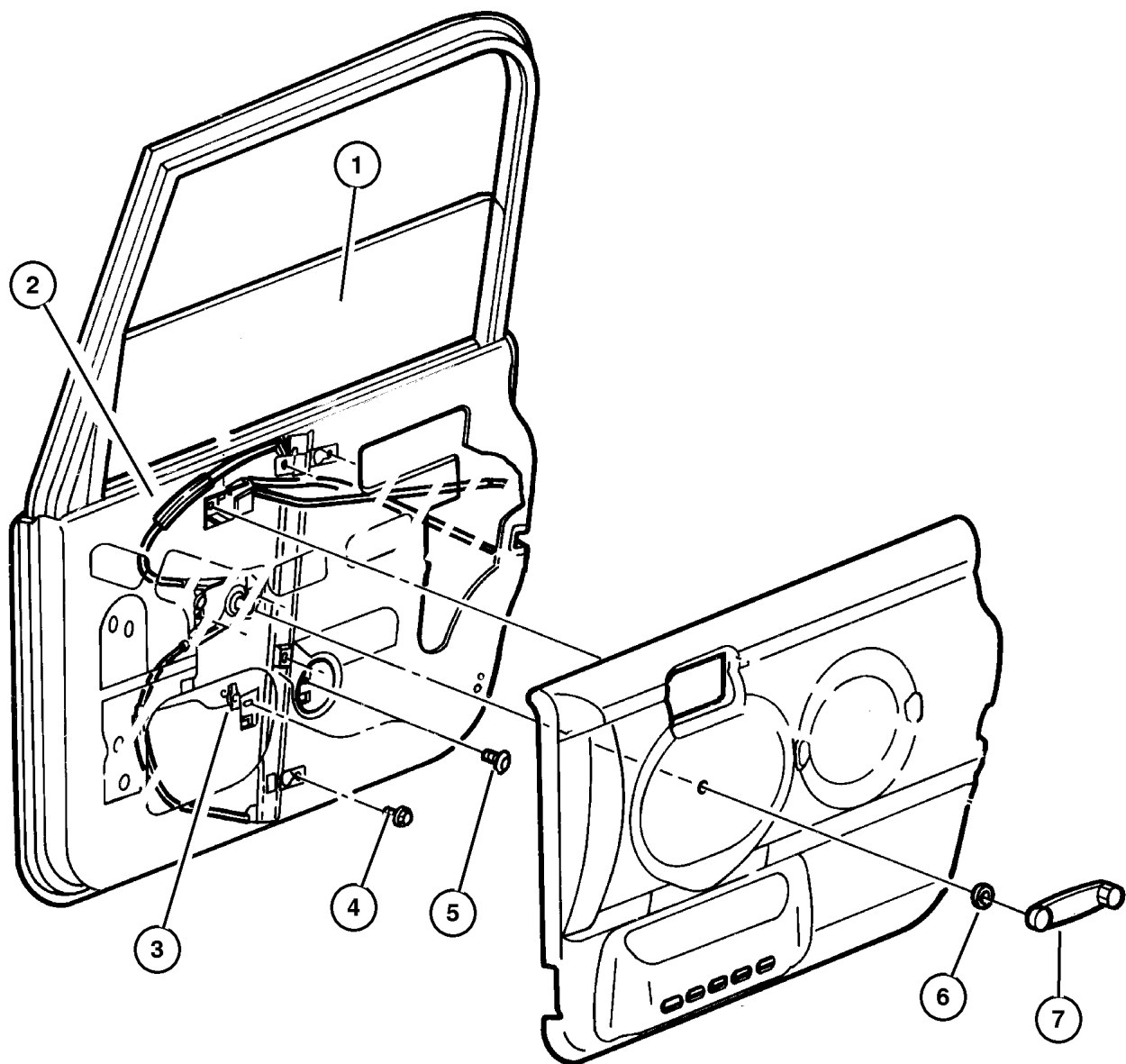
SERIES	LINE	BODY	ENGINE	TRANSMISSION
H = Sport	J = Wrangler 4WD	77 = 93.4 WB	ED1, ED0 = 2.4L DOHC	DGG, DGD = 32RH 3 Spd Auto
L = SE	U = Wrangler 4WD (RHD)		ERH = 4.0L Power Tech	DDD = 5 Speed HD Manual
M = X				DG0 = Auto. Trans.
P = Sahara				DBB = Manual Trans.
S = Rubicon				DDK = 5 Speed Manual

AR = Use as required - = Non illustrated part # = New this model year

September 29, 2003

**Door, Full Front Glass And Regulator  
Figure DTJ-120**

ITEM	PART NUMBER	QTY	LINE	SERIES	BODY	ENGINE	TRANS	TRIM	DESCRIPTION
1									GLASS, Door
	5517 5324	1							Right
	5517 5325	1							Left
2									REGULATOR, Front Door Window
	55076 024AD	1							Right
	55076 025AD	1							Left
3	5517 6412	4							GROMMET, Body
4									SCREW, (NOT SERVICED) (Not Serviced)
5	6035 224	4							SCREW, Pan Head Special, .25x10x.625
6	5507 6218	2							SPACER, Door Handle
7	FW80 PX9	2							HANDLE, Window Regulator, Glass
-8									CHANNEL, Front Door Glass
	5517 5404	1							Right
	5517 5405	1							Left



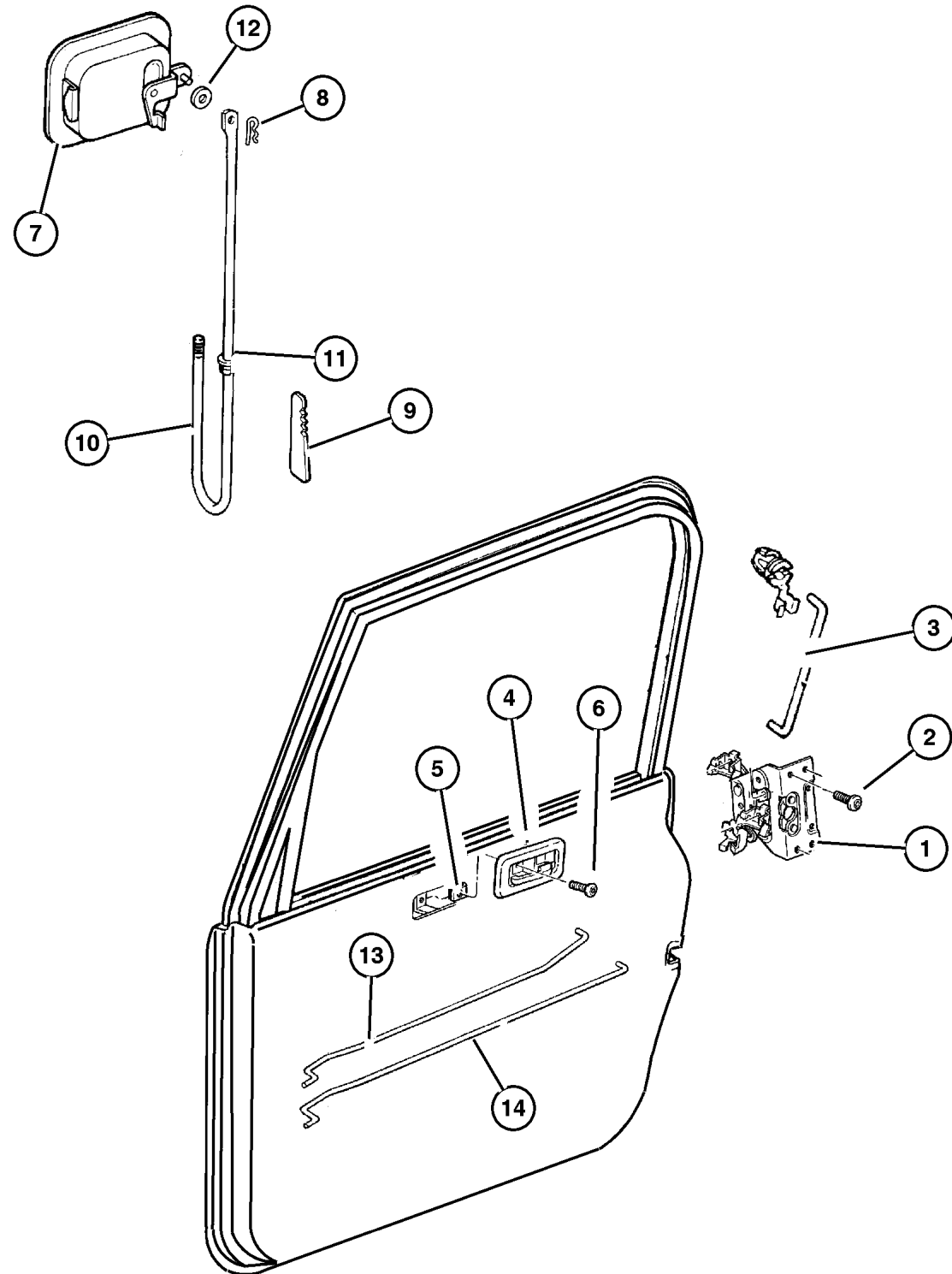
**JEEP WRANGLER (TJ)**

SERIES	LINE	BODY	ENGINE	TRANSMISSION
H = Sport	J = Wrangler 4WD	77 = 93.4 WB	ED1, ED0 = 2.4L DOHC	DGG, DGD = 32RH 3 Spd Auto
L = SE	U = Wrangler 4WD (RHD)		ERH = 4.0L Power Tech	DDD = 5 Speed HD Manual
M = X				DG0 = Auto. Trans.
P = Sahara				DBB = Manual Trans.
S = Rubicon				DDK = 5 Speed Manual

AR = Use as required - = Non illustrated part # = New this model year

September 29, 2003

## Door, Full Front Lock And Controls Figure DTJ-130



ITEM	PART NUMBER	QTY	LINE	SERIES	BODY	ENGINE	TRANS	TRIM	DESCRIPTION
1									LATCH, Front Door
	#55075 990AF	1							Up To 12-19-02, Right
	#55075 991AF	1							Up To 12-19-02, Left
	#55075 990AG	1							From To 12-19-02, Right
	#55075 991AG	1							From To 12-19-02, Left
	#55075 990AH	1							After 3-8-03, Right
	#55075 991AH	1							After 3-8-03, Left
2	6033 876	6							SCREW, Tapping, M6.3x1.8x38.1
3	5507 5989	2							LINK, Latch Locking
4									HANDLE, Inside Release
	#55176 476AC	1							Right
	#55176 477AC	1							Left
5	6503 998	2							NUT, U Multi Thread, M5 x .80
6	6505 026AA	2							SCREW, M5x16
7									HANDLE, Exterior Door
	55176 382AE	1							Right
	55176 383AE	1							Left
8	J400 5122	2							PIN, Hitch
9	5507 6221	4							KEEPER, Outside Handle
10									LINK, Latch Release
	5507 5992	1							Exterior Handle to Latch, Right
	5507 5993	1							Exterior Handle to Latch, Left
11	5517 6399	2							BUSHING, Door Handle
12									WASHER, (NOT SERVICED) (Not Serviced)
13									LINK, Door Latch
	55176 628AB	1							Right
	55176 629AB	1							Left
14									LINK, Door Latch
	#55176 630AB	1							Right
	#55176 631AB	1							Left
-15	55177 131AA	2							BRACKET, Door Inside, J Rod Guide

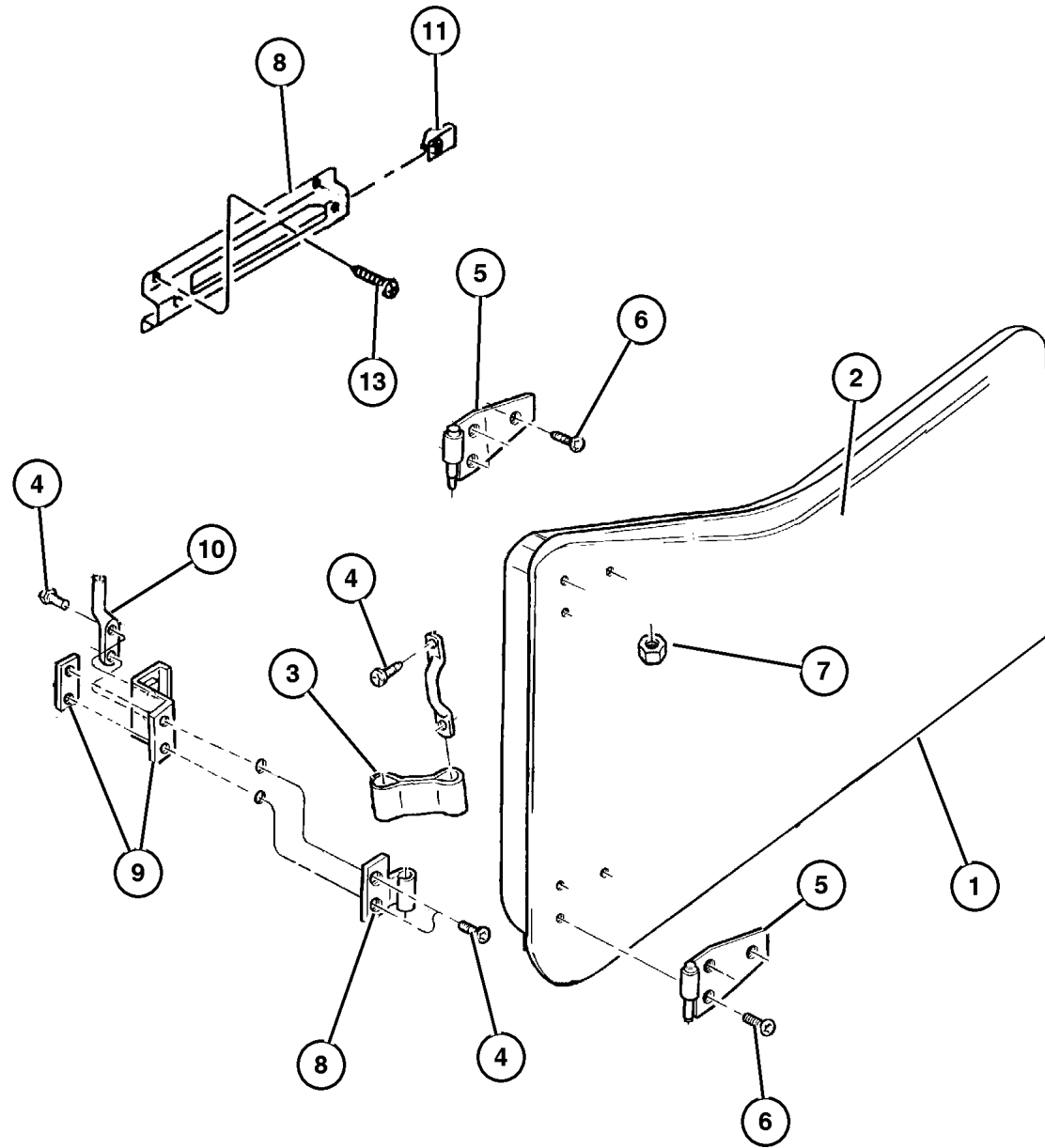
### JEEP WRANGLER (TJ)

SERIES	LINE	BODY	ENGINE	TRANSMISSION
H = Sport	J = Wrangler 4WD	77 = 93.4 WB	ED1, ED0 = 2.4L DOHC	DGG, DGD = 32RH 3 Spd Auto
L = SE	U = Wrangler 4WD (RHD)		ERH = 4.0L Power Tech	DDD = 5 Speed HD Manual
M = X				DG0 = Auto. Trans.
P = Sahara				DBB = Manual Trans.
S = Rubicon				DDK = 5 Speed Manual

AR = Use as required - = Non illustrated part # = New this model year

September 29, 2003

**Door, Half Front Shell And Hinges  
Figure DTJ-160**



ITEM	PART NUMBER	QTY	LINE	SERIES	BODY	ENGINE	TRANS	TRIM	DESCRIPTION
1									DOOR, Front
	55174 846AE	1							[GCH], Right
	55174 847AE	1							[GCH], Left
2									PANEL, Door Outer
	55175 196AB	1							Right
	55175 197AB	1							Left
3	55176 339AB	2							CHECK, Front Door
4	6035 757	8							SCREW
5									HINGE, Door Half
	5517 6366	1							Lower, Right
	5517 6367	1							Lower, Left
	5517 6368	1							Upper, Right
	5517 6369	1							Upper, Left
6	6504 443	12							SCREW
7	6504 417	4							NUT, Hex, M8x1.25
8									HINGE, Body Half
	55075 560AC	1							Right
	55075 561AC	1							Left
9	J545 9281	2							TAPPING PLATE, Door Hinge Body Half
10	J545 9286	2							PIN, Restraint Strap
11	6504 993AA	4							NUT
-12	55175 849AC	2							BRACKET, Grab Handle
13									SCREW, (NOT SERVICED) (Not Serviced)

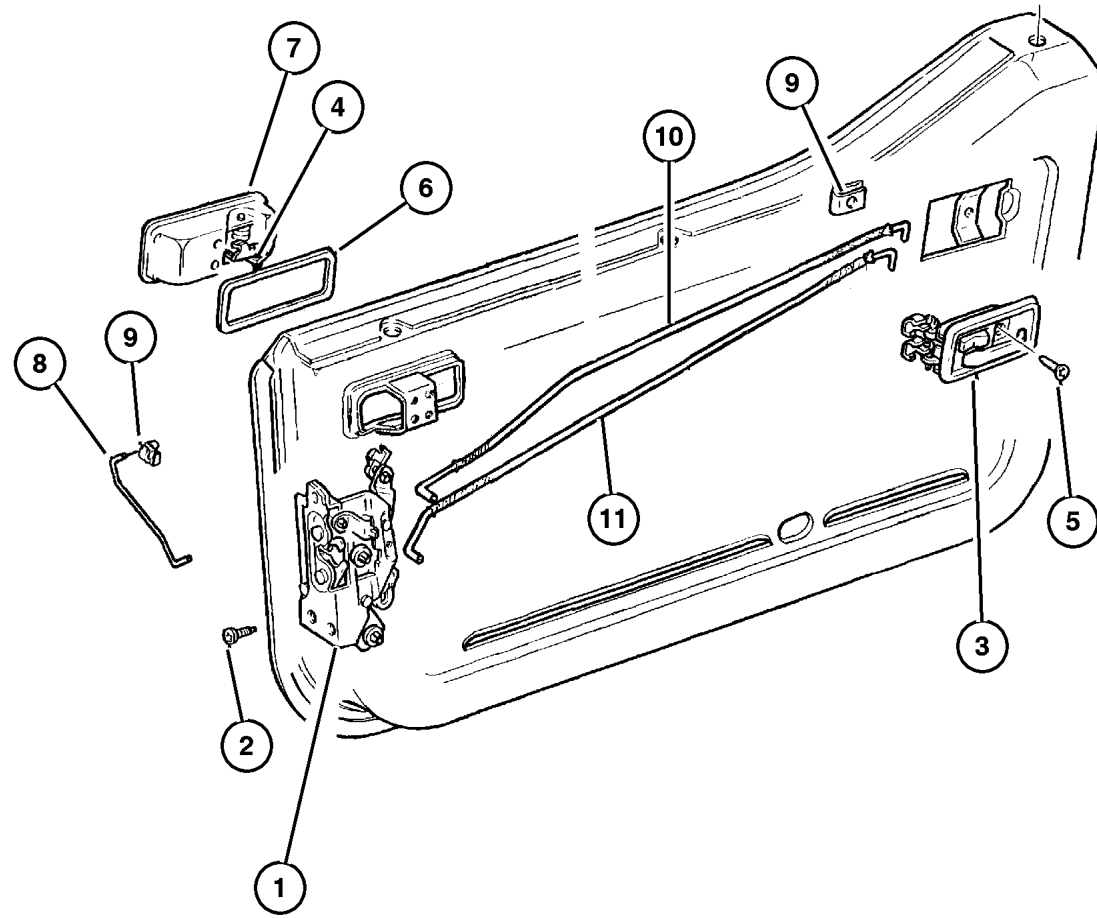
**JEEP WRANGLER (TJ)**

SERIES	LINE	BODY	ENGINE	TRANSMISSION
H = Sport	J = Wrangler 4WD	77 = 93.4 WB	ED1, ED0 = 2.4L DOHC	DGG, DGD = 32RH 3 Spd Auto
L = SE	U = Wrangler 4WD (RHD)		ERH = 4.0L Power Tech	DDD = 5 Speed HD Manual
M = X				DG0 = Auto. Trans.
P = Sahara				DBB = Manual Trans.
S = Rubicon				DDK = 5 Speed Manual

AR = Use as required - = Non illustrated part # = New this model year

September 29, 2003

**Door, Half Front Lock And Controls**  
**Figure DTJ-170**



ITEM	PART NUMBER	QTY	LINE	SERIES	BODY	ENGINE	TRANS	TRIM	DESCRIPTION
1									LATCH, Front Door
	#55075 982AC	1							[GCH], Right
	#55075 983AC	1							[GCH], Left
2	6033 876	6							SCREW, Tapping, M6.3x1.8x38.1
3									HANDLE, Inside Release
	#55176 476AC	1							Right
	#55176 477AC	1							Left
4	#55075 974AC	2							LINK, Latch Locking
5	6505 026AA	2							SCREW, M5x16
6	J374 3608	2							SEAL, Handle, Exterior Handle
7									HANDLE, Exterior Door
	55176 548AB	1							Right
	55176 549AB	1							Left
8									LINK, Latch Release
	#55075 976AB	1							Right
	#55075 977AB	1							Left
9	6503 998	2							NUT, U Multi Thread, M5 x .80
10									LINK, Door Latch
	5517 6626	1							Right
	5517 6627	1							Left
11									LINK, Door Latch
	#55176 624AB	1							Right
	#55176 625AB	1							Left

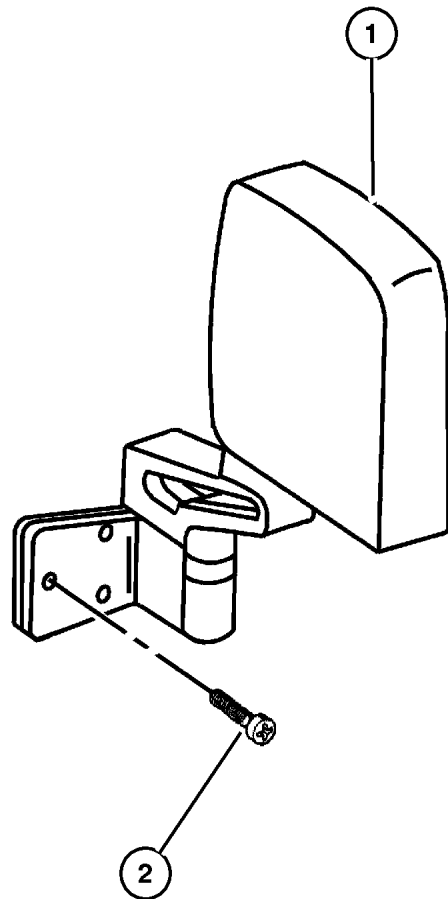
**JEEP WRANGLER (TJ)**

SERIES	LINE	BODY	ENGINE	TRANSMISSION
H = Sport	J = Wrangler 4WD	77 = 93.4 WB	ED1, ED0 = 2.4L DOHC	DGG, DGD = 32RH 3 Spd Auto
L = SE	U = Wrangler 4WD (RHD)		ERH = 4.0L Power Tech	DDD = 5 Speed HD Manual
M = X				DG0 = Auto. Trans.
P = Sahara				DBB = Manual Trans.
S = Rubicon				DDK = 5 Speed Manual

AR = Use as required - = Non illustrated part # = New this model year

September 29, 2003

# Mirror, Exterior Figure DTJ-510



ITEM	PART NUMBER	QTY	LINE	SERIES	BODY	ENGINE	TRANS	TRIM	DESCRIPTION
Note: Sales Code GSE = Mirror Right									
Note: Sales Code GRE = Mirror Left									
Note: Sales Code GSV = Mirror Right Manual									
Note: Sales Code GRV = Mirror Left Manual									
1									MIRROR, Outside Rearview
	#55395 060AA	1							[GSV,GSE], Right
	#55395 061AA	1	J						[GRV], Left
	#55395 062AA	1							[GSC], Right
	#55395 063AA	1							[GRE,GRC], Left
	#55395 066AC	1	J						[GST], Right
	#55395 067AB	1	J						[GRT], Left
2	6034 566	6							SCREW, Tapping Flange Head, .25-20x.875
-3									GLASS, Mirror Replacement
	#5083 792AA	1							[GSV,GSE]
	#5083 793AA	1	J						[GRV]
	#5083 794AA	1	J						[GST]
	#5083 795AA	1	J						[GRT]
	#5083 797AA	1							[GRE,GRC]

### JEEP WRANGLER (TJ)

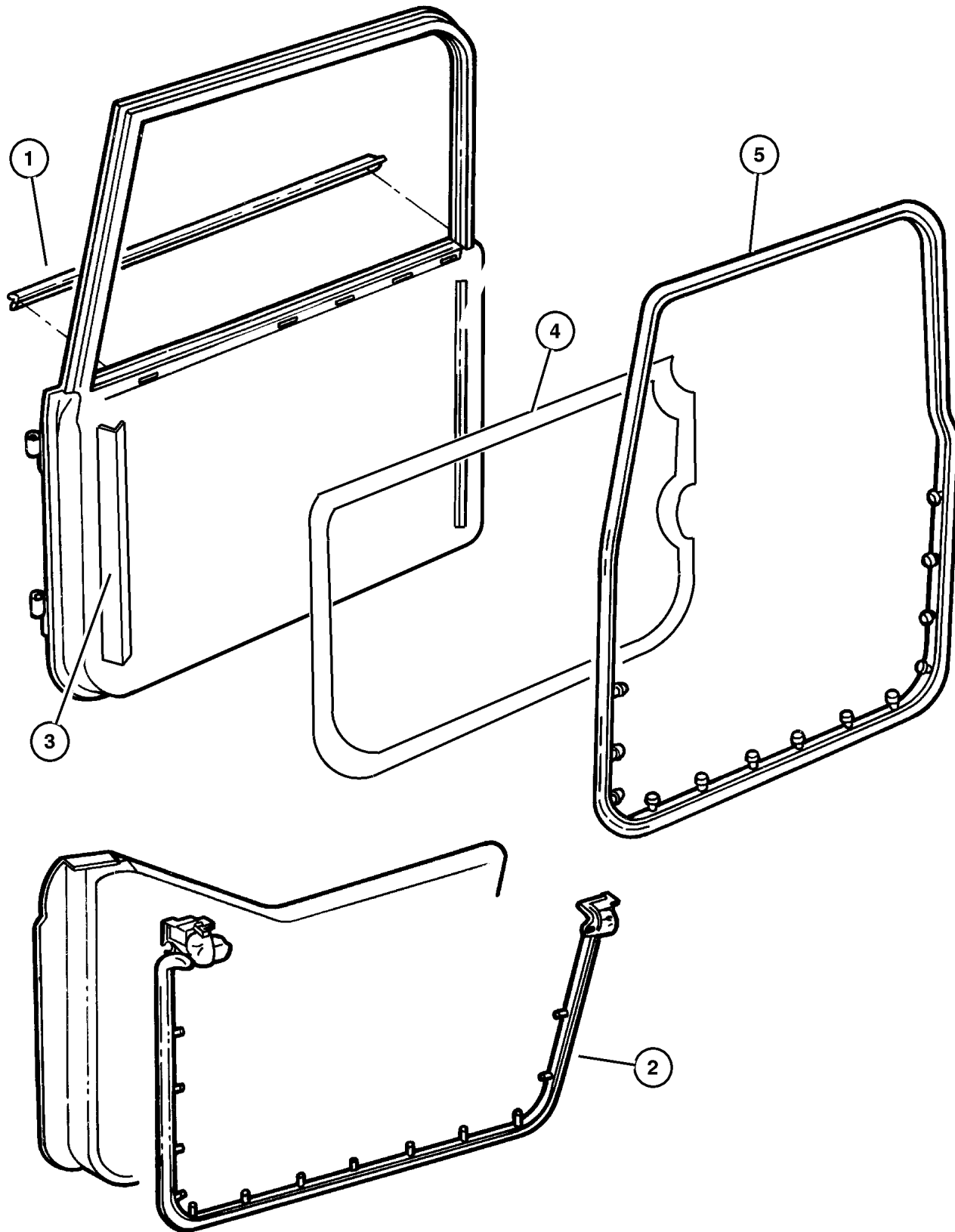
SERIES	LINE	BODY	ENGINE	TRANSMISSION
H = Sport	J = Wrangler 4WD	77 = 93.4 WB	ED1, ED0 = 2.4L DOHC	DGG, DGD = 32RH 3 Spd Auto
L = SE	U = Wrangler 4WD (RHD)		ERH = 4.0L Power Tech	DDD = 5 Speed HD Manual
M = X				DG0 = Auto. Trans.
P = Sahara				DBB = Manual Trans.
S = Rubicon				DDK = 5 Speed Manual

AR = Use as required - = Non illustrated part # = New this model year

September 29, 2003

**Door Weatherstrips And Runs  
Figure DTJ-610**

ITEM	PART NUMBER	QTY	LINE	SERIES	BODY	ENGINE	TRANS	TRIM	DESCRIPTION
1	55176 564AC	1							WEATHERSTRIP, Door Belt Right
	55176 565AC	1							Left
2	5017 010AB	1							TEMPLATE PACKAGE, Weatherseal Right
	5017 011AB	1							Left
3									WEATHERSTRIP, Glass Channel Run
	55175 226AB	2							Weatherstrip, Right
	55175 750AB	2							Channel, Left
4									WATERSHIELD, Front Door Right
	55175 786AG	1							Left
	55175 787AG	1							
5									WEATHERSTRIP, Front Door Right
	#55395 098AA	1							Left
	#55395 099AA	1							



**JEEP WRANGLER (TJ)**

SERIES	LINE	BODY	ENGINE	TRANSMISSION
H = Sport	J = Wrangler 4WD	77 = 93.4 WB	ED1, ED0 = 2.4L DOHC	DGG, DGD = 32RH 3 Spd Auto
L = SE	U = Wrangler 4WD (RHD)		ERH = 4.0L Power Tech	DDD = 5 Speed HD Manual
M = X				DG0 = Auto. Trans.
P = Sahara				DBB = Manual Trans.
S = Rubicon				DDK = 5 Speed Manual

AR = Use as required - = Non illustrated part # = New this model year

September 29, 2003

# Group – ETJ

## Exterior Ornamentation

### GROUP ETJ - Exterior Ornamentation

Illustration Title

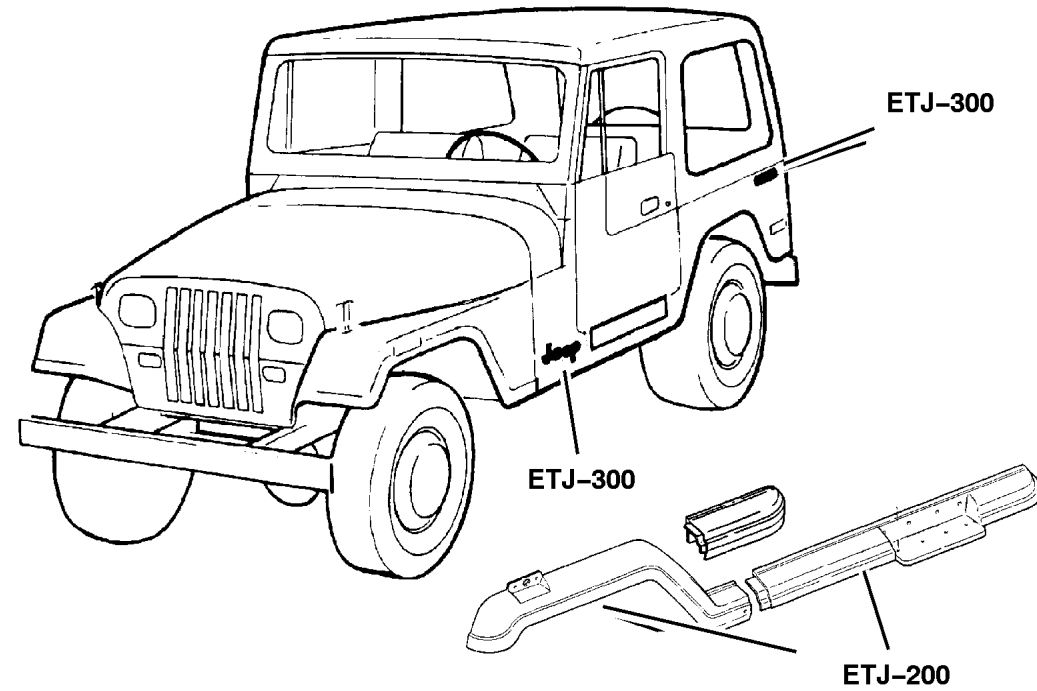
Group-Fig. No.

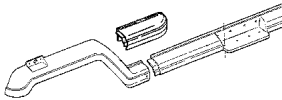
#### Moldings and Ornamentation

Moldings ..... Fig. ETJ-210

#### Decals and Tapestripes

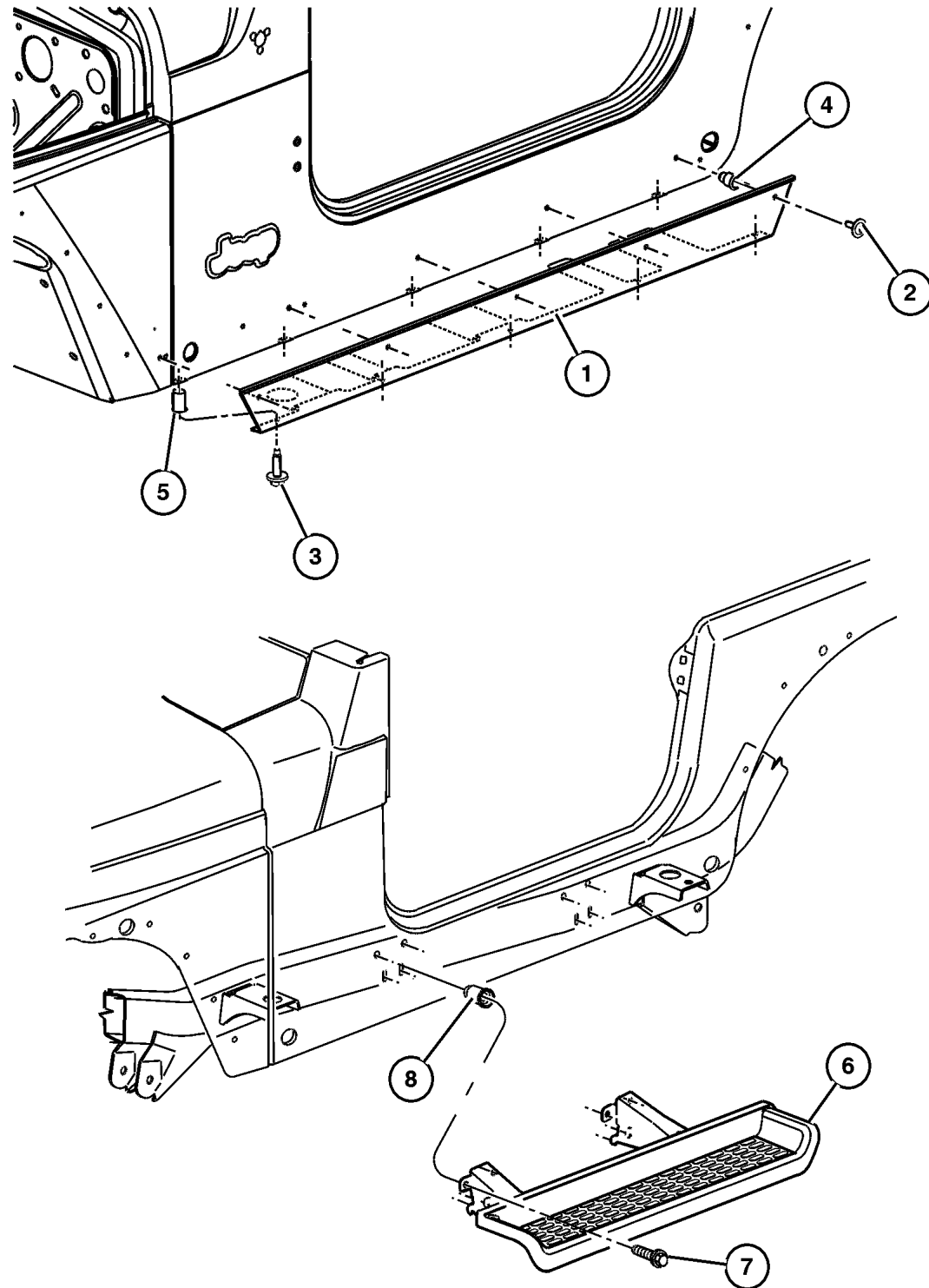
Decals ..... Fig. ETJ-310



<p><b>ETJ-200</b> Moldings and Ornamentation</p> 	<p><b>ETJ-300</b> Decals and Tapestripes</p> <p><b>JEEP</b></p> <p><b>WRANGLER</b></p>		
--	--	--	--



## Mouldings Figure ETJ-210



ITEM	PART NUMBER	QTY	LINE	SERIES	BODY	ENGINE	TRANS	TRIM	DESCRIPTION
1									SILL, Body Side
	#5GG78 JX8AD	1	J						[MEF], Right
	#5GG78 AJ7AF	1	J						[MEK], Right
	#5GG78 ZDRAF	1							[MEL], Right
	#5GG79 JX8AD	1	J						[MEF], Left
	#5GG79 AJ7AF	1	J						[MEK], Left
	#5GG79 ZDRAF	1							[MEL], Left
2	6504 352	10	J						SCREW
3	6506 348AA	10	J						SCREW AND WASHER, Hex Head, M6x1x25
4	6505 175AA	10	J						NUT, Rivet
5	6503 245	10	J						RIVET
6									STEP PAD, Side Step
	55156 200AB	1							[MRJ], Right
	55156 201AB	1							[MRJ], Left
7	6501 648	8							SCREW, Hex Flange Head, M8x1. 25x25.00
8	6504 397	8							NUT, M8-1.25

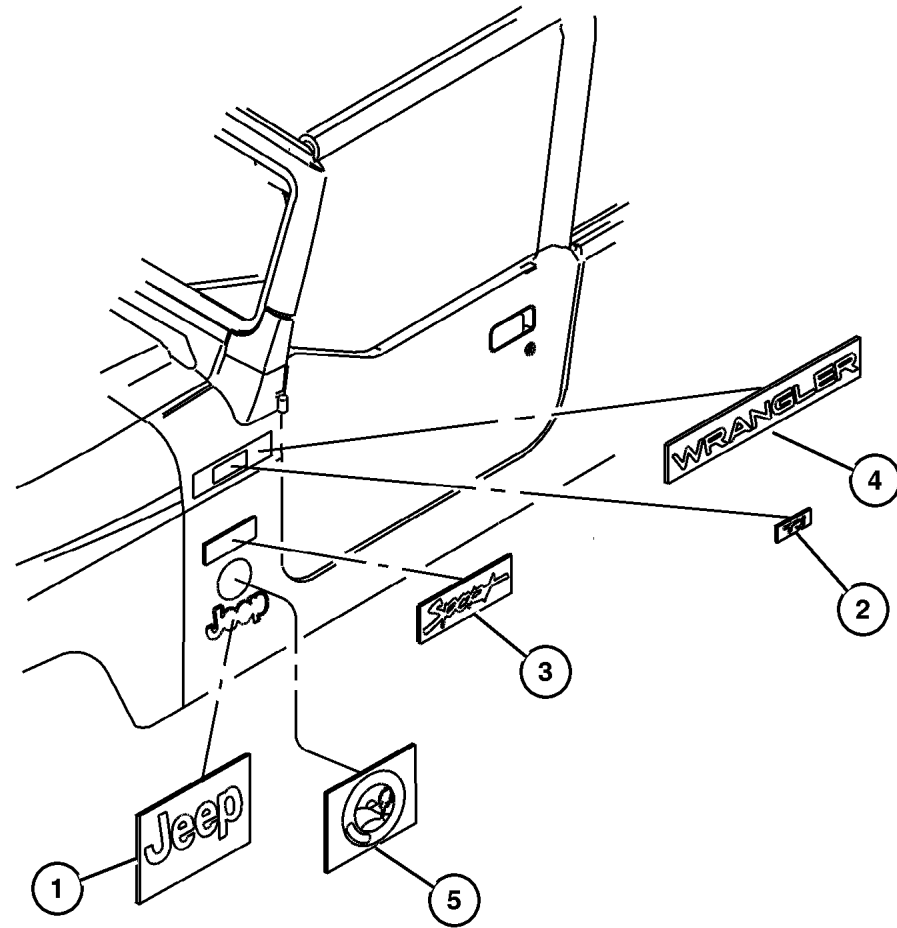
**JEEP WRANGLER (TJ)**

SERIES	LINE	BODY	ENGINE	TRANSMISSION
H = Sport	J = Wrangler 4WD	77 = 93.4 WB	ED1, ED0 = 2.4L DOHC	DGG, DGD = 32RH 3 Spd Auto
L = SE	U = Wrangler 4WD (RHD)		ERH = 4.0L Power Tech	DDD = 5 Speed HD Manual
M = X				DG0 = Auto. Trans.
P = Sahara				DBB = Manual Trans.
S = Rubicon				DDK = 5 Speed Manual

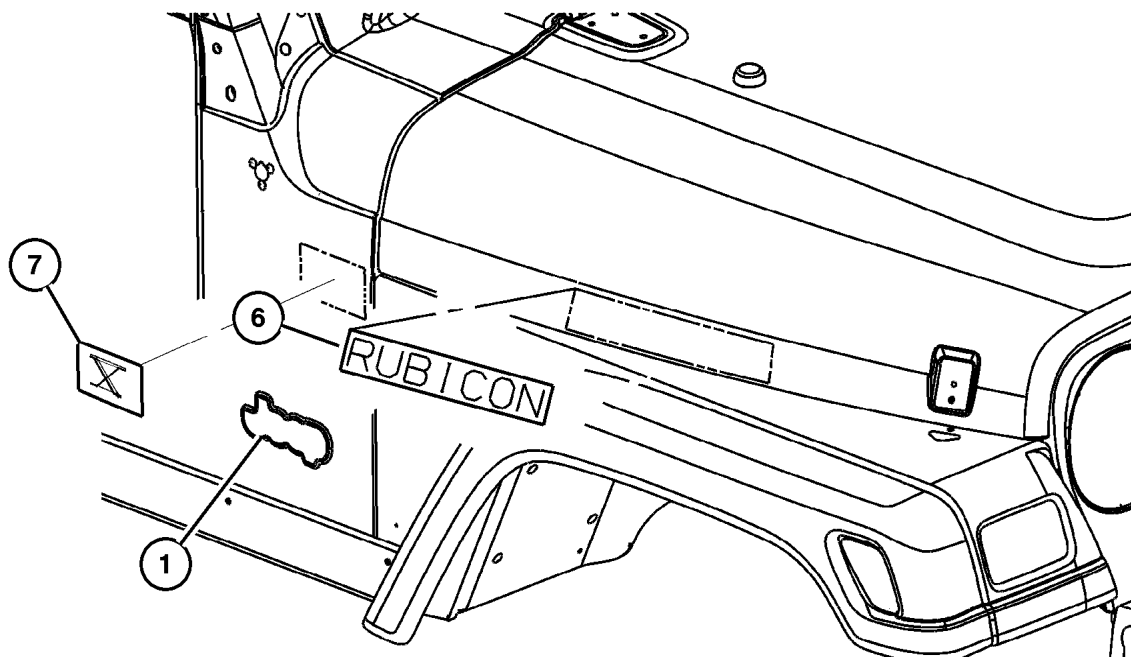
AR = Use as required - = Non illustrated part # = New this model year

September 29, 2003

Decals  
Figure ETJ-310



ITEM	PART NUMBER	QTY	LINE	SERIES	BODY	ENGINE	TRANS	TRIM	DESCRIPTION
1									DECAL, Bodyside, JEEP
	5FC84 HA2AB	2							[KWP]
	5FC84 HA9AB	2							[KWR]
2									DECAL, TJ
	#5JB65 HA2AA	2							[KVP]
	#5JB65 HA9AA	2							[KVR]
3									DECAL, SPORT
	#5HW37 HA2AA	2							[KFP]
	#5HW37 HA9AA	2							[KFR]
4									DECAL, Bodyside, Wrangler
	5FC8 3TA2	2							[KXP]
	5FC8 3TA9	2							[KXR]
5	#5JC83 HA2AA	2							DECAL, SAHARA, [KBP]
6									DECAL, RUBICON
	#5JC82 HA2AA	2							[KCP]
	#5JC82 HA9AA	2							[KCR]
7									DECAL, X
	5JF14 HA2AA	2							[KDP]
	5JF14 HA9AA	2							[KDR]
-8	5515 5566	2							PROTECTOR, Door Opening, Lower Door
-9	#55156 994AA	2	J	M					DECAL, FREEDOM EDITION, [MS1]
-10	#55157 034AA	2	J						DECAL, ROCKY MOUNTAIN, [MZW]
-11									DIMENSIONAL GRAPHIC, TOMB RAIDER LIMITED EDITION
	#55157 067AA	2							[MWQ], Side
	#55157 068AA	1							[MWQ], Hood



JEEP WRANGLER (TJ)

SERIES	LINE	BODY	ENGINE	TRANSMISSION
H = Sport	J = Wrangler 4WD	77 = 93.4 WB	ED1, ED0 = 2.4L DOHC	DGG, DGD = 32RH 3 Spd Auto
L = SE	U = Wrangler 4WD (RHD)		ERH = 4.0L Power Tech	DDD = 5 Speed HD Manual
M = X				DG0 = Auto. Trans.
P = Sahara				DBB = Manual Trans.
S = Rubicon				DDK = 5 Speed Manual

AR = Use as required - = Non illustrated part # = New this model year

September 29, 2003

# Group – ITJ

## Interior Trim

### GROUP ITJ - Interior Trim

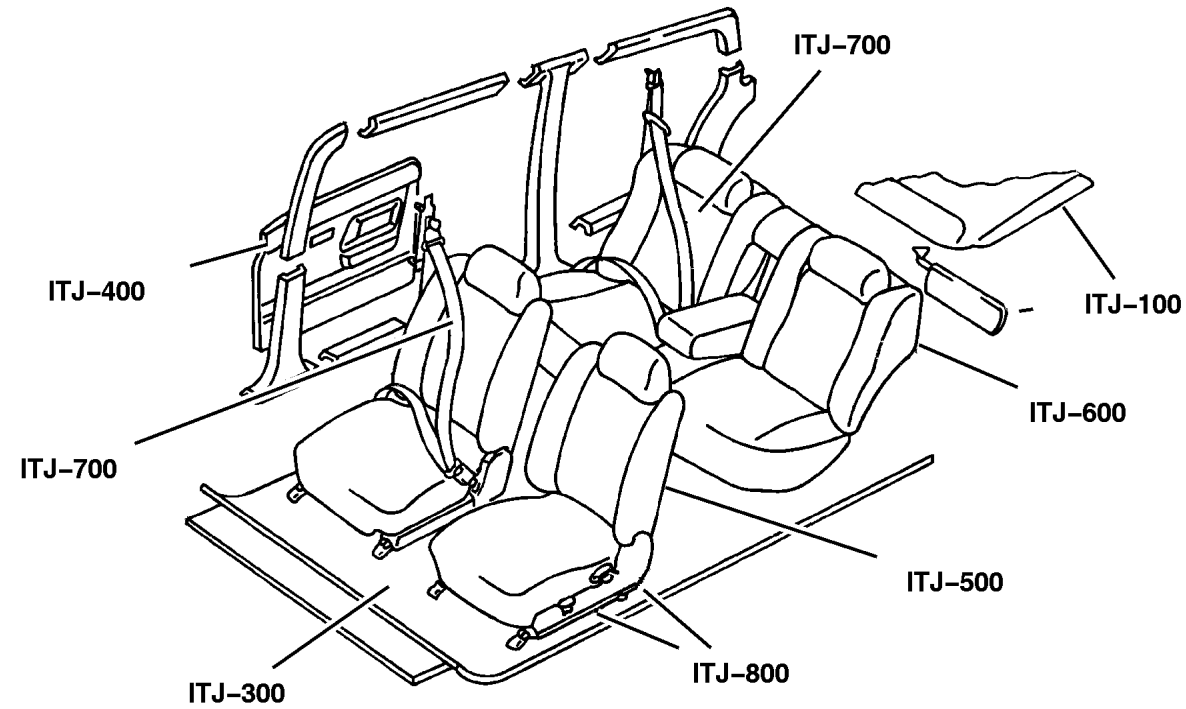


Illustration Title

Group-Fig. No.

#### Headliner and Visor

Sunvisors ..... Fig. ITJ-110

#### Moldings, Scuff Plates

Panels, Interior Trim, Front ..... Fig. ITJ-210

#### Carpet

Carpets And Interior Trim Panels ..... Fig. ITJ-310

Floor Covering, Ruggedized ..... Fig. ITJ-320

#### Door Trim Panels- Front and Sliding

Door Trim Panels Half Doors & Full Doors ..... Fig. ITJ-410

#### Front Seats and Attaching Parts

Front Vinyl, Trim Code [H6] ..... Fig. ITJ-510

Front, Cloth, Trim Code [P5] ..... Fig. ITJ-520

Front, Cloth, Trim Code [S5] ..... Fig. ITJ-530

Front, Cloth, Trim Code [A5] ..... Fig. ITJ-540

#### Rear Seats and Attaching Parts

Rear, Vinyl, Trim Code [H6] ..... Fig. ITJ-610

Rear, Cloth, Trim Code [P5] ..... Fig. ITJ-620

Rear, Cloth, Trim Code [S5] ..... Fig. ITJ-630

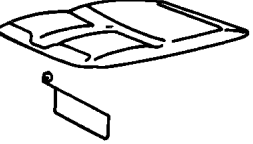
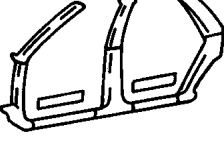
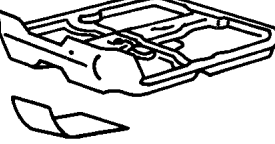
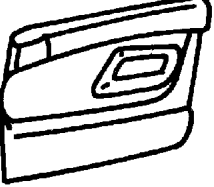

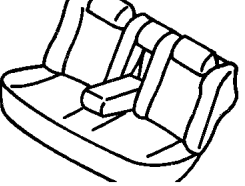
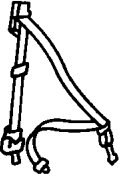
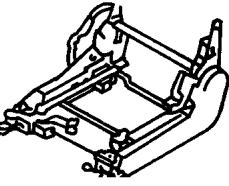
Rear, Cloth, Trim Code [A5] ..... Fig. ITJ-640

#### Seat Belts-Front and Rear

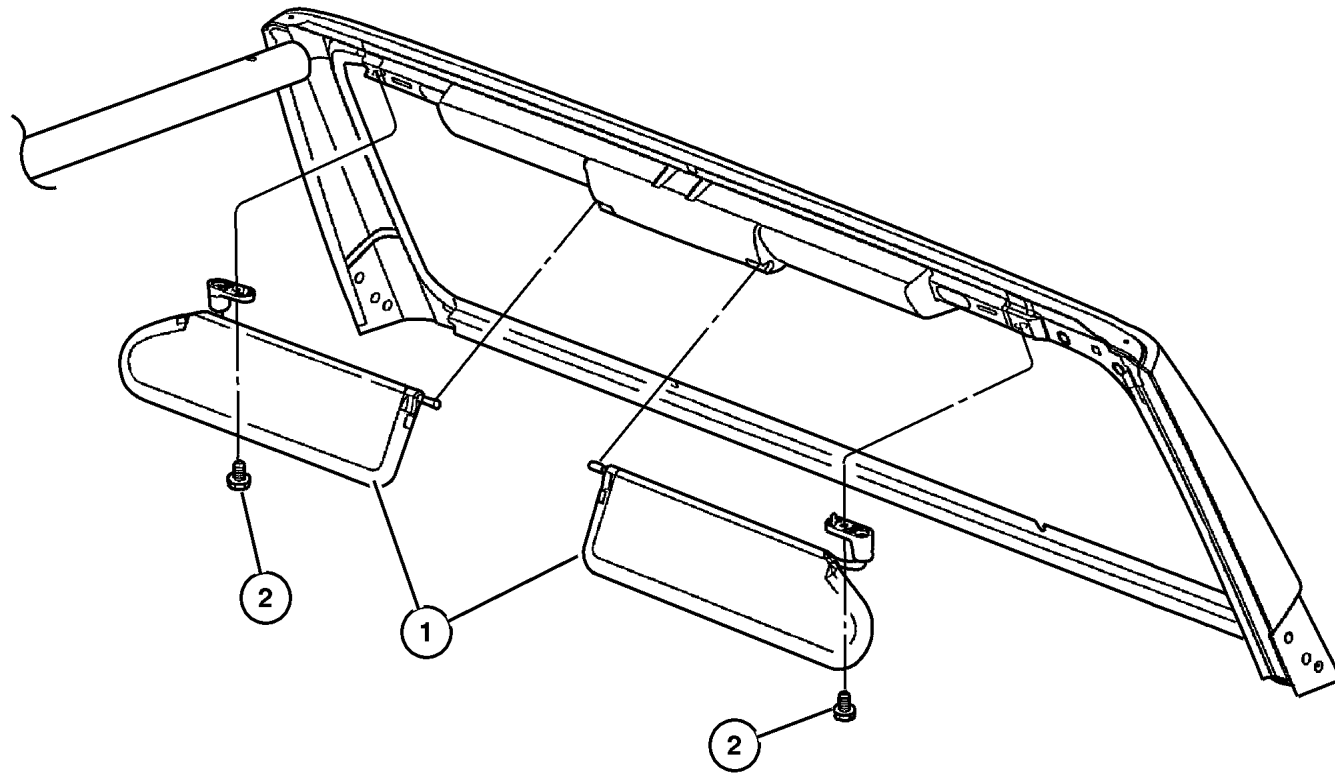
Seat Belts ..... Fig. ITJ-710

#### Adjusters, Covers, Shields, and Risers

Seat Assemblies, Adjusters, Recliners ..... Fig. ITJ-810

<p><b>ITJ-100</b> Headliner and Visor</p> 	<p><b>ITJ-200</b> Moldings, Scuff Plates</p> 	<p><b>ITJ-300</b> Carpet</p> 	<p><b>ITJ-400</b> Door Trim Panels- Front and Sliding</p> 
<p><b>ITJ-500</b> Front Seats and Attaching Parts</p> 	<p><b>ITJ-600</b> Rear Seats and Attaching Parts</p> 	<p><b>ITJ-700</b> Seat Belts-Front and Rear</p> 	<p><b>ITJ-800</b> Adjusters, Covers, Shields, and Risers</p> 

**Sunvisors  
Figure ITJ-110**



ITEM	PART NUMBER	QTY	LINE	SERIES	BODY	ENGINE	TRANS	TRIM	DESCRIPTION
------	-------------	-----	------	--------	------	--------	-------	------	-------------

Sales Codes:

- [AHF] = Rural Letter Carrier
- [CF8] = Without Rear Seat
- [CFM] = With Rear Folding Seat
- [CGS] = Side Airbags

1									VISOR
	#5HD80 1X9AB	1	J						Right
	#5JR33 1X9AA	1	U						With Rural Letter Carrier [AHF] and With Rear Folding Seat [CFM],
									Left
	#5HD81 1X9AB	1	J						Left
	#5HK70 1X9AB	1	U						Right
	#5HK71 1X9AB	1	U						Left
	#5JM14 1X9AA	1	J						With Side Airbags [CGS], Right
	#5JM15 1X9AA	1	J						With Side Airbags [CGS], Left
	#5JR28 1X9AA	1	U						With Rural Letter Carrier [AHF] and Without Rear Seat [CF8], Right
	#5JR29 1X9AA	1	U						With Rural Letter Carrier [AHF] and Without Rear Seat [CF8], Left
	#5JR32 1X9AA	1	U						With Rural Letter Carrier [AHF] and With Rear Folding Seat [CFM],
2									Right SCREW, [.250-14x0.91], (NOT SERVICED) (Not Serviced)

**JEEP WRANGLER (TJ)**

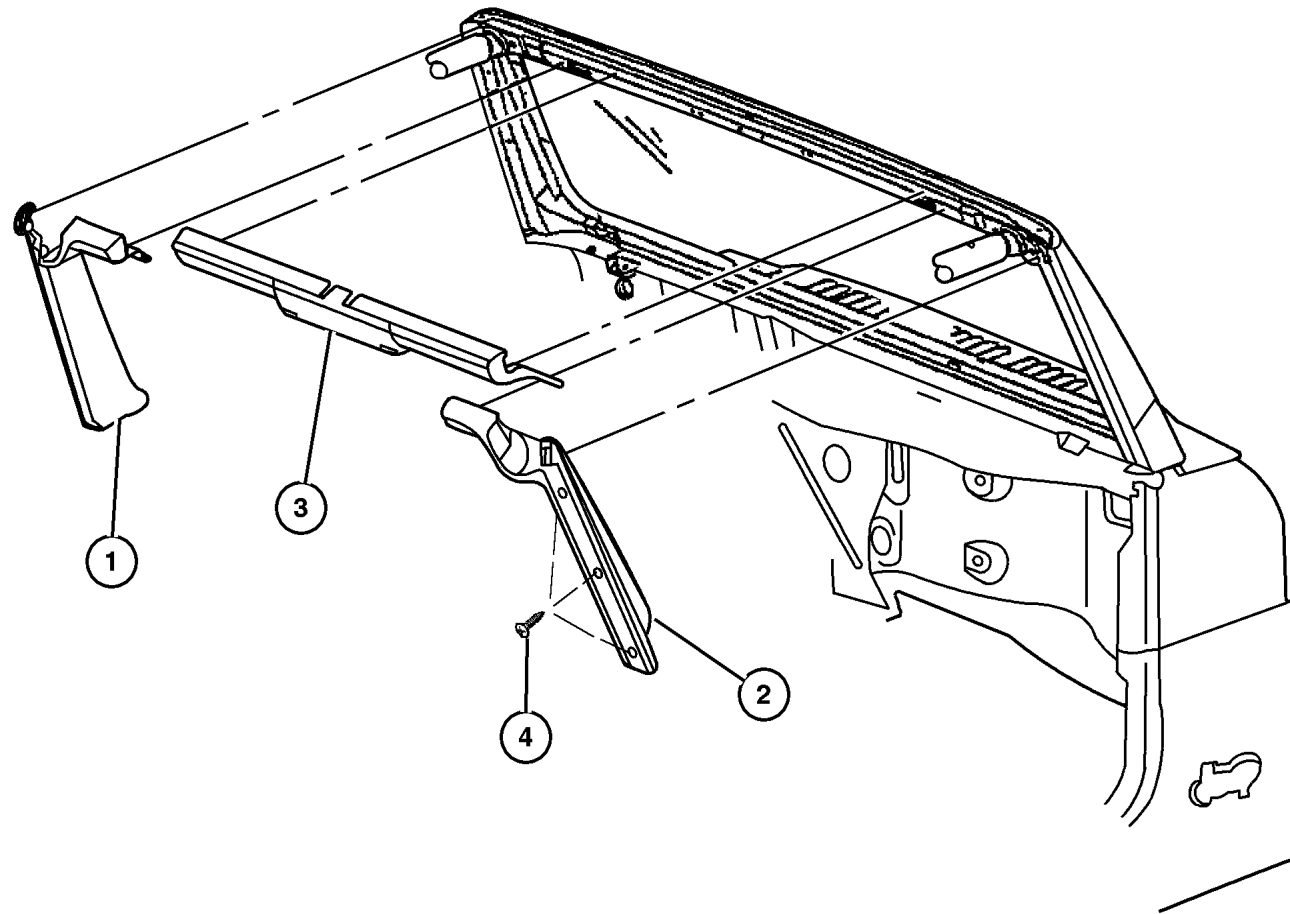
SERIES	LINE	BODY	ENGINE	TRANSMISSION
H = Sport	J = Wrangler 4WD	77 = 93.4 WB	ED1, ED0 = 2.4L DOHC	DGG, DGD = 32RH 3 Spd Auto
L = SE	U = Wrangler 4WD (RHD)		ERH = 4.0L Power Tech	DDD = 5 Speed HD Manual
M = X				DG0 = Auto. Trans.
P = Sahara				DBB = Manual Trans.
S = Rubicon				DDK = 5 Speed Manual

AR = Use as required - = Non illustrated part # = New this model year

September 29, 2003

**Panels, Interior Trim, Front  
Figure ITJ-210**

ITEM	PART NUMBER	QTY	LINE	SERIES	BODY	ENGINE	TRANS	TRIM	DESCRIPTION
1	#5HE55 DX9AA	1							MOLDING, Windshield, Left
2	#5HE54 DX9AA	1							MOLDING, Windshield, Right
3	#5HE52 DX9AA	1							MOLDING, Windshield
4	6035 369	6							SCREW, Piercing, .164-15x1.25

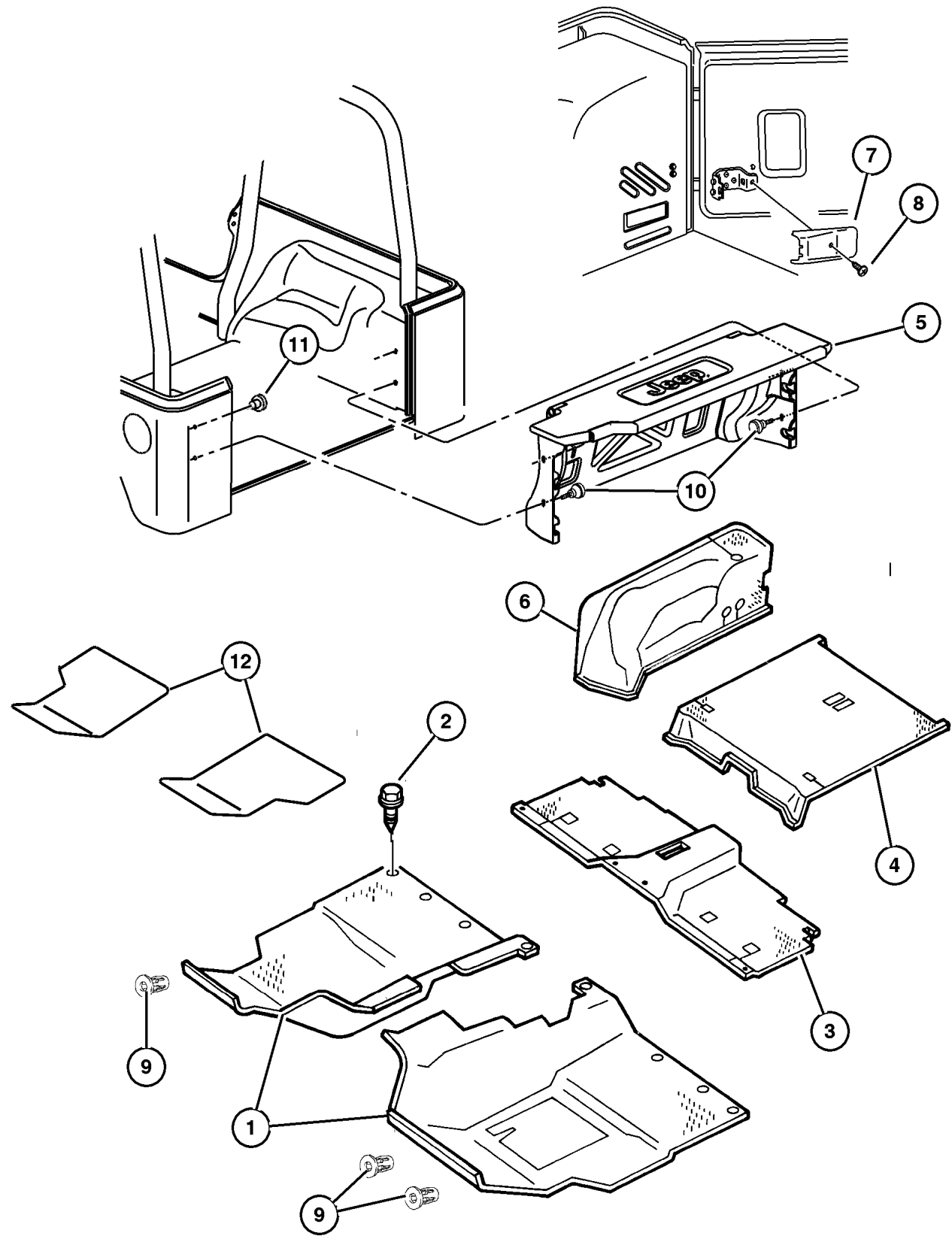


<b>JEEP WRANGLER (TJ)</b>				
SERIES	LINE	BODY	ENGINE	TRANSMISSION
H = Sport	J = Wrangler 4WD	77 = 93.4 WB	ED1, ED0 = 2.4L DOHC	DGG, DGD = 32RH 3 Spd Auto
L = SE	U = Wrangler 4WD (RHD)		ERH = 4.0L Power Tech	DDD = 5 Speed HD Manual
M = X				DG0 = Auto. Trans.
P = Sahara				DBB = Manual Trans.
S = Rubicon				DDK = 5 Speed Manual

AR = Use as required - = Non illustrated part # = New this model year

September 29, 2003

**Carpets And Interior Trim Panels**  
**Figure ITJ-310**



ITEM	PART NUMBER	QTY	LINE	SERIES	BODY	ENGINE	TRANS	TRIM	DESCRIPTION
1									CARPET, Front Floor
	#5FW50 XDVAH	1	J						[DV], Right
	#5FW50 ZJ8AH	1	J						[J3], Right
	#5FV51 XDVAF	1	J						[DV], Left
	#5FV51 ZJ8AF	1	J						[J3], Left
	#5FW14 XDVAH	1	U						[DV], Right
	#5FW14 ZJ8AH	1	U						[J3], Right
	#5FW15 XDVAF	1	U						[DV], Left
	#5FW15 ZJ8AF	1	U						[J3], Left
2	J400 7545	2							SCREW AND WASHER, Snap Head, .164-18x.375
3									CARPET, Rear Floor
	#5FV49 XDVAC	1							[DV], With Mini Console
	#5FV49 ZJ8AC	1							[J3], With Mini Console
	#5HG24 XDVAC	1							[DV], With Full Console
	#5HG24 ZJ8AC	1							[J3], With Full Console
4									CARPET, Cargo Floor
	#5HY13 XDVAA	1							[DV]
	#5HY13 ZJ8AA	1							[J3]
5									PANEL, Add A Trunk, With Latches
	5GY84 1DVAD	1							[DV]
	5GY84 1J3AD	1							[J3]
6									CARPET, Wheelhouse
	#5HY52 XDVAB	1							[DV], Right
	#5HY52 ZJ8AB	1							[J3], Right
	#5HY53 XDVAC	1							[DV], Left
	#5HY53 ZJ8AC	1							[J3], Left
7	5521 7099	1							COVER, Contact Button
8									SCREW, .164-18x.625, (NOT SERVICED) (Not Serviced)
9									NUT, Push On
	6503 274	5	U						
		4	J						
10	55352 813AA	4							KNOB
11	0116 392	4							RIVET
12									MAT KIT, Floor - Front, Right Hand Drive
	5JD18 XDVAB	1	U						[DV]
	5JD18 ZJ8AA	1	U						[J3]
	#8220 7332	1	J						[DV], Slush Style
	#8220 7333	1	J						[J3], Slush Style

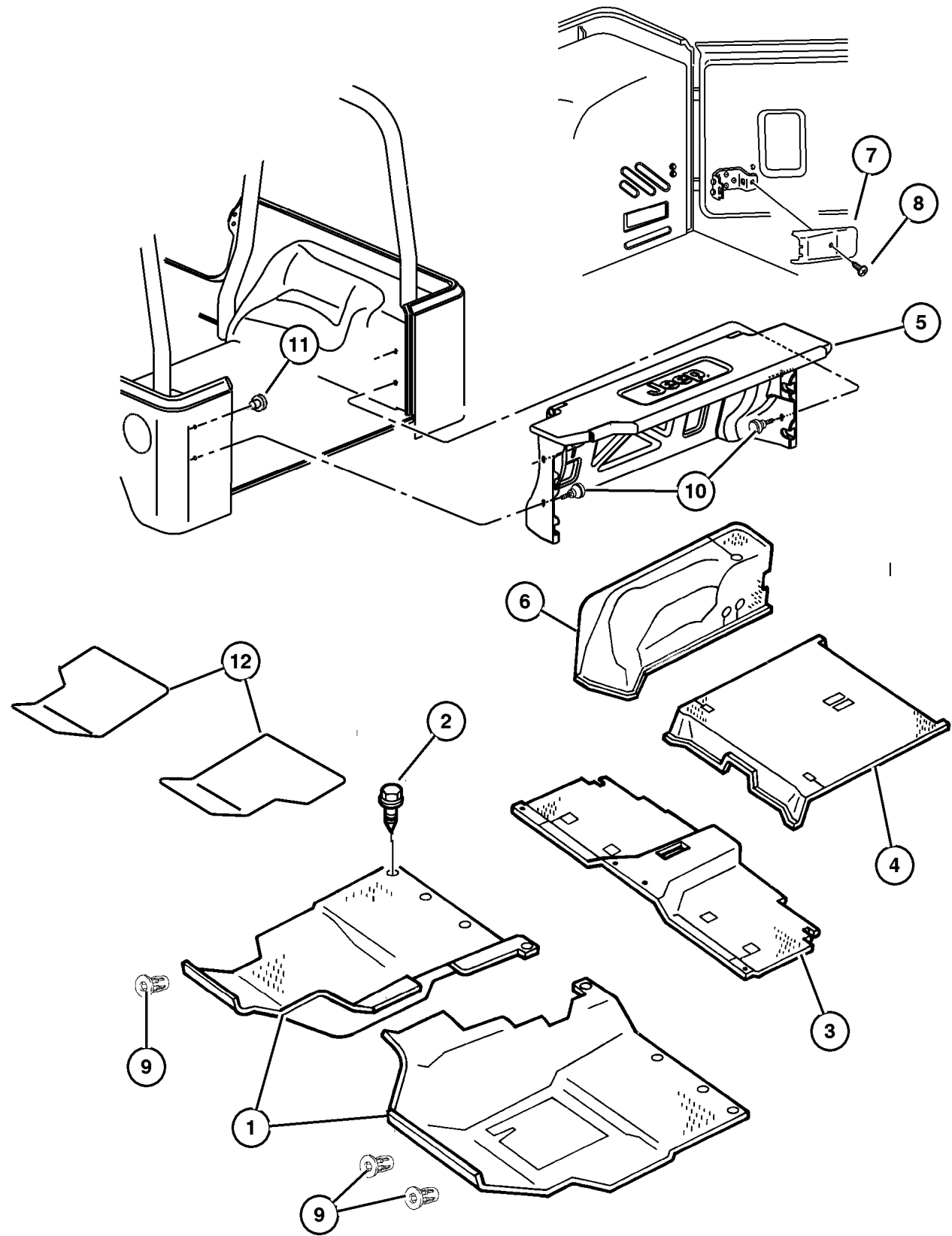
**JEEP WRANGLER (TJ)**

<b>SERIES</b>	<b>LINE</b>	<b>BODY</b>	<b>ENGINE</b>	<b>TRANSMISSION</b>
H = Sport	J = Wrangler 4WD	77 = 93.4 WB	ED1, ED0 = 2.4L DOHC	DGG, DGD = 32RH 3 Spd Auto
L = SE	U = Wrangler 4WD (RHD)		ERH = 4.0L Power Tech	DDD = 5 Speed HD Manual
M = X				DG0 = Auto. Trans.
P = Sahara				DBB = Manual Trans.
S = Rubicon				DDK = 5 Speed Manual

AR = Use as required - = Non illustrated part # = New this model year

September 29, 2003

**Carpets And Interior Trim Panels**  
**Figure ITJ-310**



ITEM	PART NUMBER	QTY	LINE	SERIES	BODY	ENGINE	TRANS	TRIM	DESCRIPTION
	#8220 7368	1	J						[DV], Same as Production
	#8220 7534	1	J						[J3], Same as Production

**JEEP WRANGLER (TJ)**

SERIES	LINE	BODY	ENGINE	TRANSMISSION
H = Sport	J = Wrangler 4WD	77 = 93.4 WB	ED1, ED0 = 2.4L DOHC	DGG, DGD = 32RH 3 Spd Auto
L = SE	U = Wrangler 4WD (RHD)		ERH = 4.0L Power Tech	DDD = 5 Speed HD Manual
M = X				DG0 = Auto. Trans.
P = Sahara				DBB = Manual Trans.
S = Rubicon				DDK = 5 Speed Manual

AR = Use as required - = Non illustrated part # = New this model year

September 29, 2003

**Floor Covering, Ruggedized**  
**Figure ITJ-320**

ITEM	PART NUMBER	QTY	LINE	SERIES	BODY	ENGINE	TRANS	TRIM	DESCRIPTION
------	-------------	-----	------	--------	------	--------	-------	------	-------------

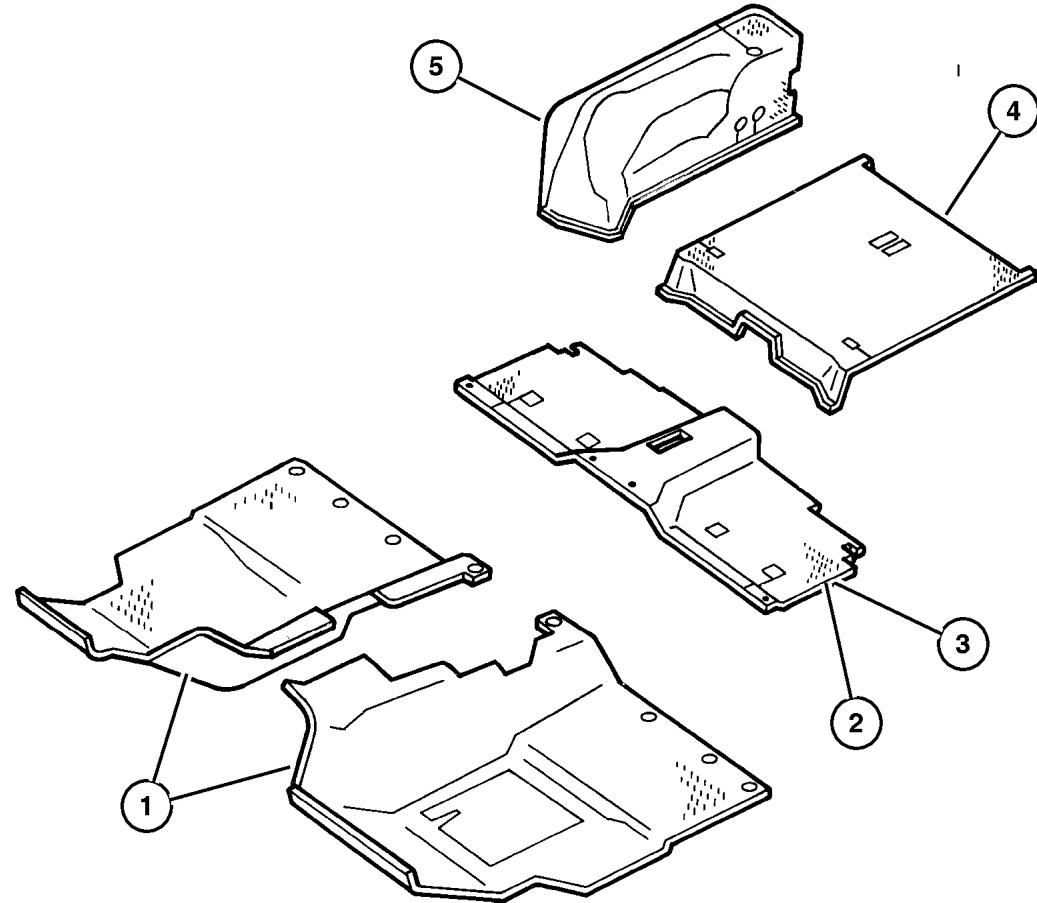
Sales Code:

[CLW] = Floor Covering, Ruggedized

[CUF] = Console Full Length

[CUM] = Console Floor With Cupholder

1									MAT, Floor, Black
	#5JL20 DX9AA	1							Right
	#5JL21 DX9AA	1							Left
2	#5JL22 DX9AA	1							MAT, Floor, Black, With Mini Console [CUM]
3	#5JL23 DX9AA	1							MAT, Floor, With Full Console [CUF]
4	#5JL24 DX9AA	1							MAT, Floor
5									MAT, Wheelhouse
	#5JL26 DX9AA	1							Right
	#5JL27 DX9AA	1							Left



**JEEP WRANGLER (TJ)**

SERIES	LINE	BODY	ENGINE	TRANSMISSION
H = Sport	J = Wrangler 4WD	77 = 93.4 WB	ED1, ED0 = 2.4L DOHC	DGG, DGD = 32RH 3 Spd Auto
L = SE	U = Wrangler 4WD (RHD)		ERH = 4.0L Power Tech	DDD = 5 Speed HD Manual
M = X				DG0 = Auto. Trans.
P = Sahara				DBB = Manual Trans.
S = Rubicon				DDK = 5 Speed Manual

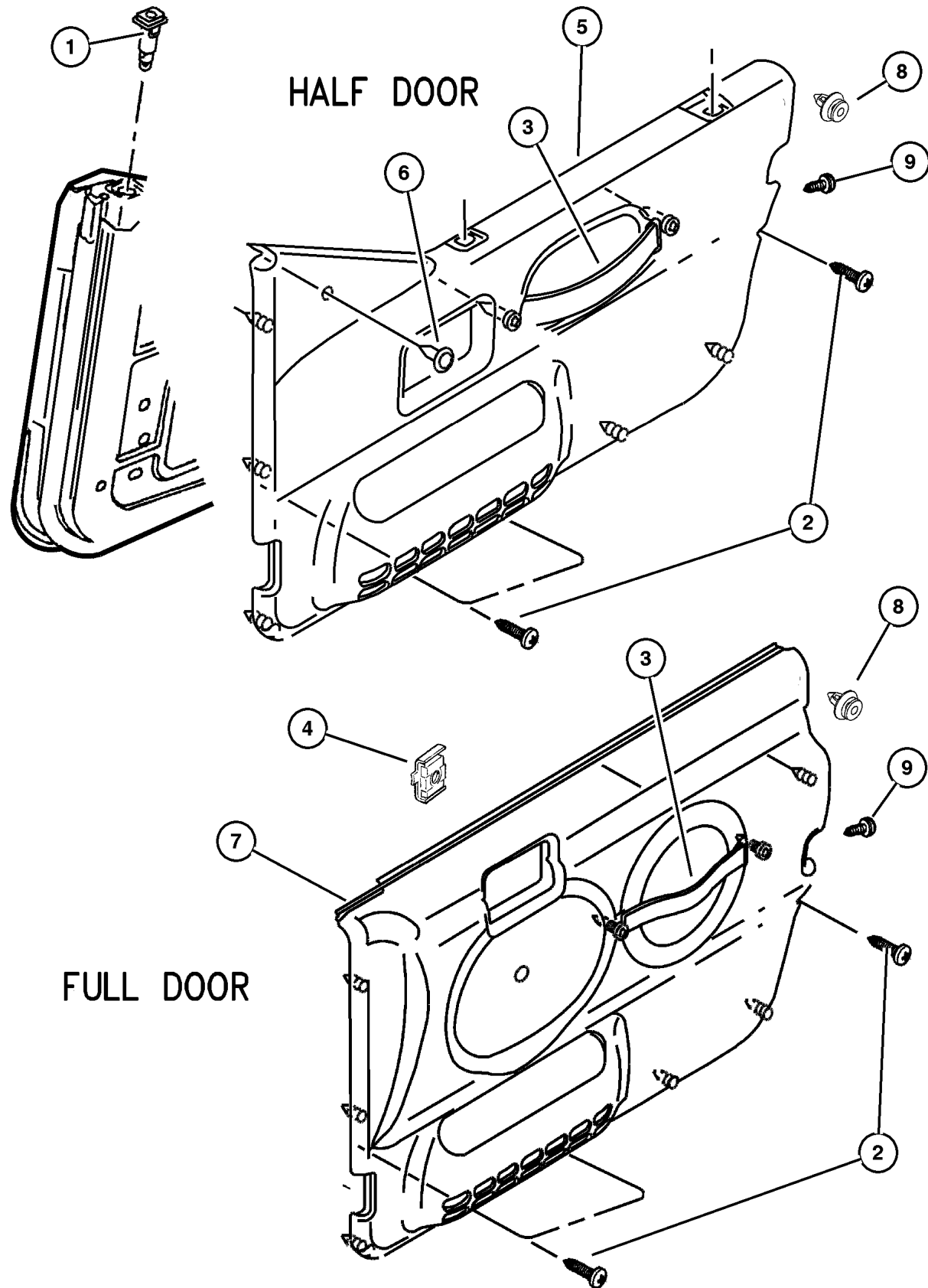
AR = Use as required - = Non illustrated part # = New this model year

September 29, 2003



**Door Trim Panels Half Doors & Full Doors  
Figure ITJ-410**

ITEM	PART NUMBER	QTY	LINE	SERIES	BODY	ENGINE	TRANS	TRIM	DESCRIPTION
1	5EJ6 4XDV	6							GROMMET, Door Window Stabilizer [DV]
	5EJ6 4ZJ3	6							[J3]
2	6507 297AA	6							SCREW, M4.2x1.41
3	5ES4 3DX9	1							HANDLE, Door Interior
4	6504 993AA	4							NUT
5									PANEL, Door Trim
	5DY64 1DVAD	1							[DV], Right
	5DY64 1J3AC	1							[J3], Right
	5DY65 1DVAD	1							[DV], Left
	5DY65 1J3AC	1							[J3], Left
6									PIN, Push
	5FP8 4XDV	4							[DV]
	5FP8 4ZJ3	4							[J3]
7									PANEL, Door Trim
	5DY66 1DVAE	1							[DV], Right
	5DY66 1J3AE	1							[J3], Right
	5DY67 1DVAE	1							[DV], Left
	5DY67 1J3AE	1							[J3], Left
8	6504 014	6							FASTENER, Door Trim Panel
9	6504 617	2							SCREW, M4.2-1.41x13



<b>JEEP WRANGLER (TJ)</b>				
SERIES	LINE	BODY	ENGINE	TRANSMISSION
H = Sport	J = Wrangler 4WD	77 = 93.4 WB	ED1, ED0 = 2.4L DOHC	DGG, DGD = 32RH 3 Spd Auto
L = SE	U = Wrangler 4WD (RHD)		ERH = 4.0L Power Tech	DDD = 5 Speed HD Manual
M = X				DG0 = Auto. Trans.
P = Sahara				DBB = Manual Trans.
S = Rubicon				DDK = 5 Speed Manual

AR = Use as required - = Non illustrated part # = New this model year

September 29, 2003

Front Vinyl, Trim Code [H6]  
Figure ITJ-510

ITEM	PART NUMBER	QTY	LINE	SERIES	BODY	ENGINE	TRANS	TRIM	DESCRIPTION
------	-------------	-----	------	--------	------	--------	-------	------	-------------

Sales Code [CF8] = Rear Seat Delete

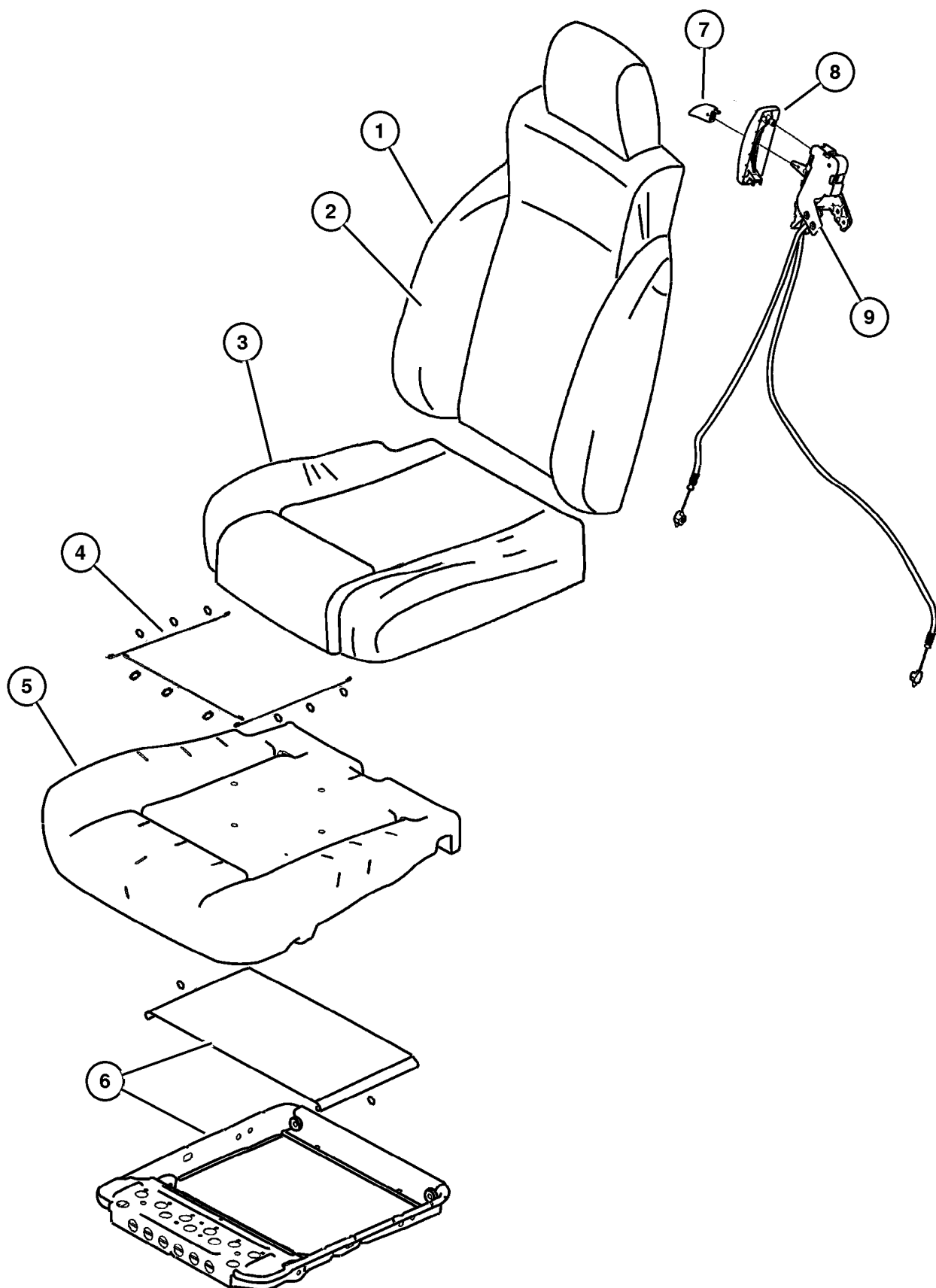
1									BACK, Front Seat
	#XU28 1DVAA	1	U					H6	[DV], Up to 2/4/03, Right
	#ZG94 1DVAA	1	U					H6	[DV], After 2/4/03, Right
	#ZG94 1J3AA	1	J					H6	[J3], After 2/4/03, Right
		1	U					H6	[J3], After 2/4/03, Right
	#ZG95 1DVAA	1	J					H6	[DV], After 2/4/03, Left
		1	U					H6	[DV], After 2/4/03, Left
	#ZG95 1J3AA	1	J					H6	[J3], After 2/4/03, Left
		1	U					H6	[J3], After 2/4/03, Left
	#XU28 1DVAA	1	J					H6	[DV], Up to 2/4/03, Right
	#XU28 1J3AA	1	J					H6	[J3], Up to 2/4/03, Right
		1	U					H6	[J3], Up to 2/4/03, Right
	#XU29 1DVAA	1	U					H6	[DV], Up to 2/4/03, Left
		1	J					H6	[DV], Up to 2/4/03, Left
	#XU29 1J3AA	1	J					H6	[J3], Up to 2/4/03, Left
		1	U					H6	[J3], Up to 2/4/03, Left
	#ZG94 1DVAA	1	J					H6	[DV], After 2/4/03, Right
2									COVER, Front Seat Back
	#XU24 1DVAA	1	J					H6	[DV], Up to 2/4/03, Right
	#ZG92 1DVAA	1	U					H6	[DV], After 2/4/03, Right
	#ZG92 1J3AA	1	J					H6	[J3], After 2/4/03, Right
		1	U					H6	[J3], After 2/4/03, Right
	#ZG93 1DVAA	1	J					H6	[DV], After 2/4/03, Left
		1	U					H6	[DV], After 2/4/03, Left
	#ZG93 1J3AA	1	J					H6	[J3], After 2/4/03, Left
		1	U					H6	[J3], After 2/4/03, Left
	#XU24 1DVAA	1	U					H6	[DV], Up to 2/4/03, Right
	#XU24 1J3AA	1	J					H6	[J3], Up to 2/4/03, Right
		1	U					H6	[J3], Up to 2/4/03, Right
	#XU25 1DVAA	1	U					H6	[DV], Up to 2/4/03, Left
		1	J					H6	[DV], Up to 2/4/03, Left
	#XU25 1J3AA	1	J					H6	[J3], Up to 2/4/03, Left
		1	U					H6	[J3], Up to 2/4/03, Left
	#ZG92 1DVAA	1	J					H6	[DV], After 2/4/03, Right
3									COVER, Front Seat Cushion
	#XU20 1DVAA	1	U					H6	[DV], Right
	#XU22 1J3AA	1	J					H6	[J3], With Sales Code [CF8], Right
	#XU20 1DVAA	1	J					H6	[DV], Right
	#XU20 1J3AA	1	U					H6	[J3], Right
		1	J					H6	[J3], Right

JEEP WRANGLER (TJ)

SERIES	LINE	BODY	ENGINE	TRANSMISSION
H = Sport	J = Wrangler 4WD	77 = 93.4 WB	ED1, ED0 = 2.4L DOHC	DGG, DGD = 32RH 3 Spd Auto
L = SE	U = Wrangler 4WD (RHD)		ERH = 4.0L Power Tech	DDD = 5 Speed HD Manual
M = X				DG0 = Auto. Trans.
P = Sahara				DBB = Manual Trans.
S = Rubicon				DDK = 5 Speed Manual

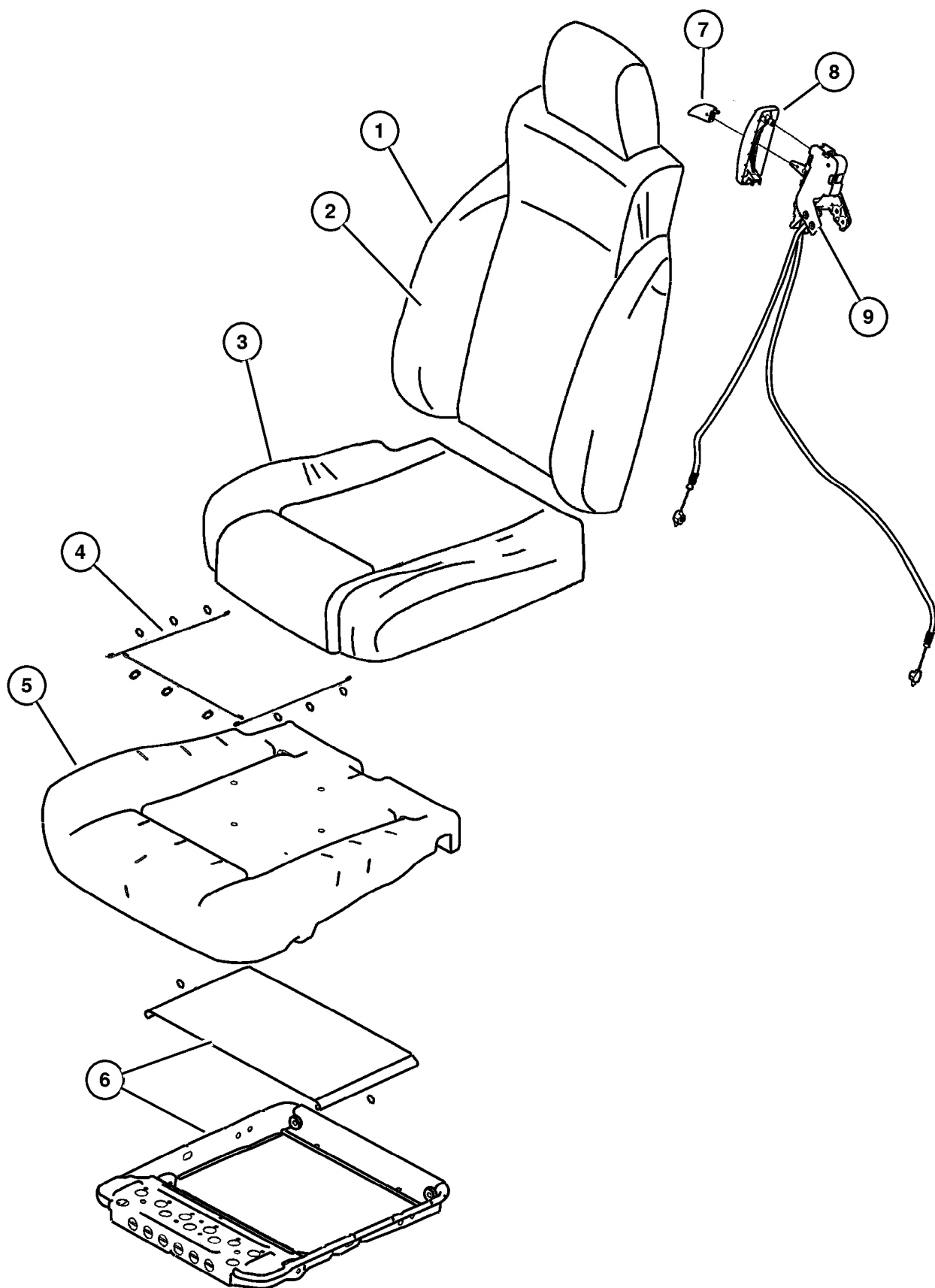
AR = Use as required - = Non illustrated part # = New this model year

September 29, 2003



Front Vinyl, Trim Code [H6]  
Figure ITJ-510

ITEM	PART NUMBER	QTY	LINE	SERIES	BODY	ENGINE	TRANS	TRIM	DESCRIPTION
	#XU21 1DVAA	1	U					H6	[DV], Left
		1	J					H6	[DV], Left
	#XU21 1J3AA	1	U					H6	[J3], Left
		1	J					H6	[J3], Left
	#XU22 1DVAA	1	J					H6	[DV], With Sales Code [CF8], Right
4									WIRE KIT, Trimming
	#5093 573AA	2	U					H6	
		2	J					H6	
5									FOAM, Seat Cushion
	#5093 574AA	1	J					H6	Right
		1	U					H6	Right
	#5093 576AA	1	J					H6	With Sales Code [CF8], Right
	#5093 575AA	1	U					H6	Left
		1	J					H6	Left
6									FRAME, Front Seat
	#5093 572AA	2	J					H6	
		2	U					H6	
	#5101 800AA	1	J					H6	With Sales Code [CF8], Right
7									KNOB, Seat Back Latch
	#5093 667AA	1	U					H6	
		2	J					H6	
8									BEZEL, Seat Release
	#5093 666AA	1	U					H6	
		2	J					H6	
9									CABLE, Seat Back Release
	#5093 669AA	1	U					H6	
		2	J					H6	



JEEP WRANGLER (TJ)

SERIES	LINE	BODY	ENGINE	TRANSMISSION
H = Sport	J = Wrangler 4WD	77 = 93.4 WB	ED1, ED0 = 2.4L DOHC	DGG, DGD = 32RH 3 Spd Auto
L = SE	U = Wrangler 4WD (RHD)		ERH = 4.0L Power Tech	DDD = 5 Speed HD Manual
M = X				DG0 = Auto. Trans.
P = Sahara				DBB = Manual Trans.
S = Rubicon				DDK = 5 Speed Manual

AR = Use as required - = Non illustrated part # = New this model year

September 29, 2003

Front, Cloth, Trim Code [P5]  
Figure ITJ-520

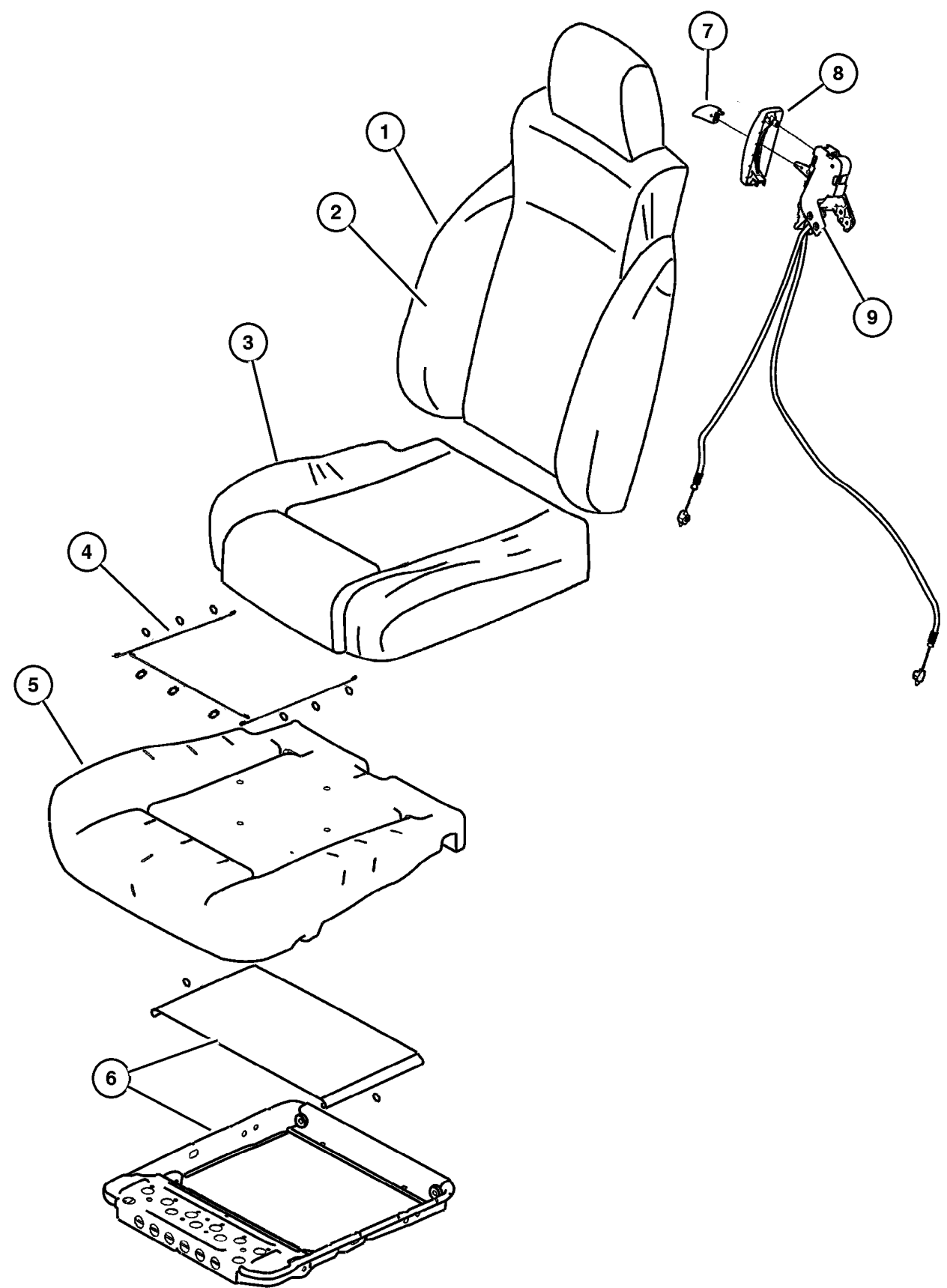
ITEM	PART NUMBER	QTY	LINE	SERIES	BODY	ENGINE	TRANS	TRIM	DESCRIPTION
1									BACK, Front Seat
	#XU48 1DVAA	1	J					P5	[DV], Up to 1/31/03, Right
	#ZH02 1DVAA	1	U					P5	[DV], After 1/31/03, Right
	#ZH02 1J3AA	1	J					P5	[J3], After 1/31/03, Right
		1	U					P5	[J3], After 1/31/03, Right
	#ZH03 1DVAA	1	J					P5	[DV], After 1/31/03, Left
		1	U					P5	[DV], After 1/31/03, Left
	#ZH03 1J3AA	1	J					P5	[J3], After 1/31/03, Left
		1	U					P5	[J3], After 1/31/03, Left
	#XU48 1DVAA	1	U					P5	[DV], Up to 1/31/03, Right
	#XU48 1J3AA	1	J					P5	[J3], Up to 1/31/03, Right
		1	U					P5	[J3], Up to 1/31/03, Right
	#XU49 1DVAA	1	J					P5	[DV], Up to 1/31/03, Left
		1	U					P5	[DV], Up to 1/31/03, Left
	#XU49 1J3AA	1	J					P5	[J3], Up to 1/31/03, Left
		1	U					P5	[J3], Up to 1/31/03, Left
	#ZH02 1DVAA	1	J					P5	[DV], After 1/31/03, Right
2									COVER, Front Seat Back
	#XU46 1DVAA	1	J					P5	[DV], Up to 1/31/03, Right
	#ZH00 1DVAA	1	U					P5	[DV], After 1/31/03, Right
	#ZH00 1J3AA	1	J					P5	[J3], After 1/31/03, Right
		1	U					P5	[J3], After 1/31/03, Right
	#ZH01 1DVAA	1	J					P5	[DV], After 1/31/03, Left
		1	U					P5	[DV], After 1/31/03, Left
	#ZH01 1J3AA	1	J					P5	[J3], After 1/31/03, Left
		1	U					P5	[J3], After 1/31/03, Left
	#XU46 1DVAA	1	U					P5	[DV], Up to 1/31/03, Right
	#XU46 1J3AA	1	J					P5	[J3], Up to 1/31/03, Right
		1	U					P5	[J3], Up to 1/31/03, Right
	#XU47 1DVAA	1	J					P5	[DV], Up to 1/31/03, Left
		1	U					P5	[DV], Up to 1/31/03, Left
	#XU47 1J3AA	1	J					P5	[J3], Up to 1/31/03, Left
		1	U					P5	[J3], Up to 1/31/03, Left
	#ZH00 1DVAA	1	J					P5	[DV], After 1/31/03, Right
3									COVER, Front Seat Cushion
	#XU34 1DVAA	1	J					P5	[DV], Right
		1	U					P5	[DV], Right
	#XU34 1J3AA	1	J					P5	[J3], Right
		1	U					P5	[J3], Right
	#XU35 1DVAA	1	J					P5	[DV], Left
		1	U					P5	[DV], Left

JEEP WRANGLER (TJ)

SERIES	LINE	BODY	ENGINE	TRANSMISSION
H = Sport	J = Wrangler 4WD	77 = 93.4 WB	ED1, ED0 = 2.4L DOHC	DGG, DGD = 32RH 3 Spd Auto
L = SE	U = Wrangler 4WD (RHD)		ERH = 4.0L Power Tech	DDD = 5 Speed HD Manual
M = X				DG0 = Auto. Trans.
P = Sahara				DBB = Manual Trans.
S = Rubicon				DDK = 5 Speed Manual

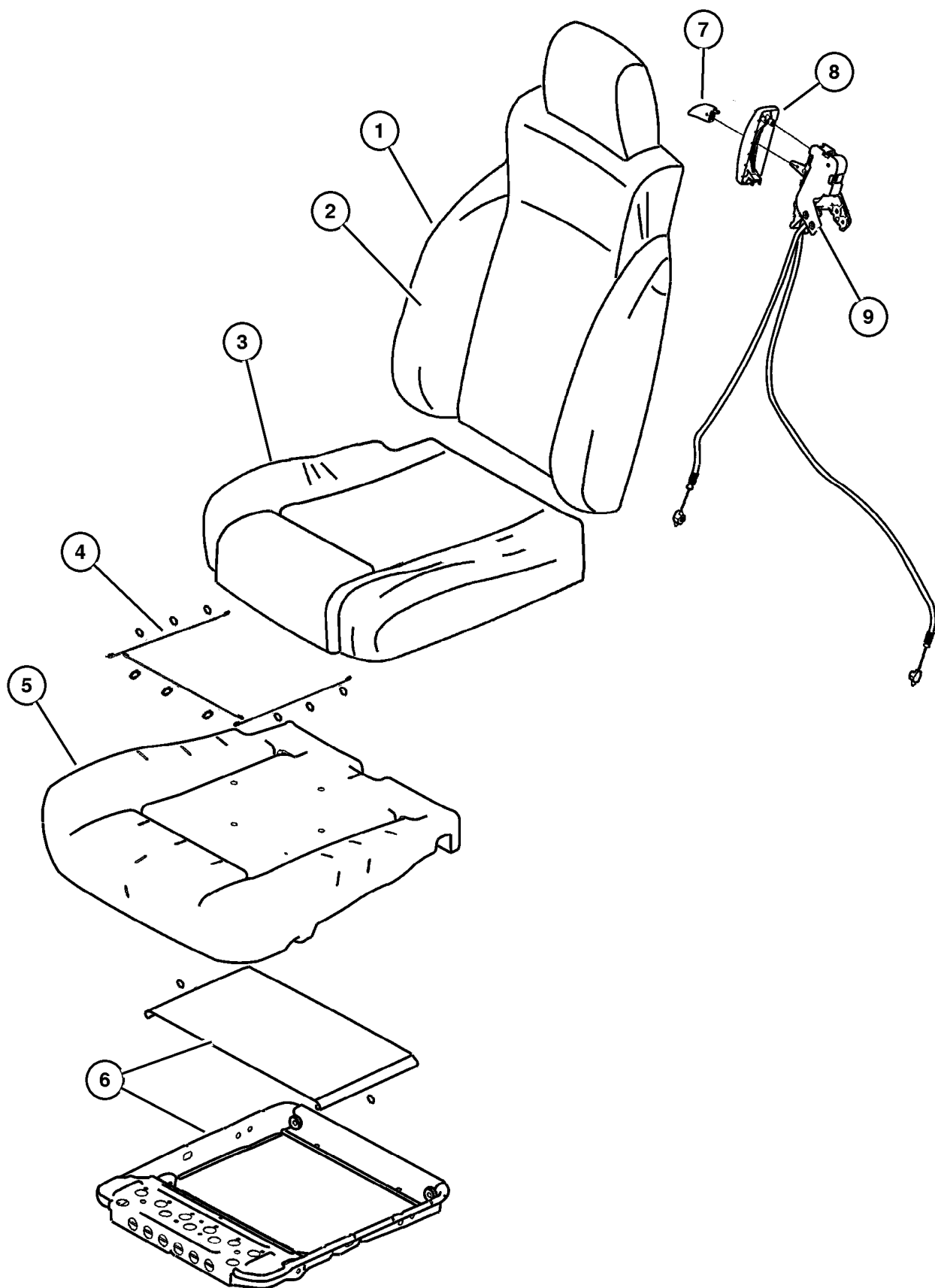
AR = Use as required - = Non illustrated part # = New this model year

September 29, 2003



Front, Cloth, Trim Code [P5]  
Figure ITJ-520

ITEM	PART NUMBER	QTY	LINE	SERIES	BODY	ENGINE	TRANS	TRIM	DESCRIPTION
	#XU35 1J3AA	1	J					P5	[J3], Left
		1	U					P5	[J3], Left
	#YV05 1DVAA	1	U					P5	Postal Vehicle, Left
4	#5093 573AA	2	J					P5	WIRE KIT, Trimming
		2	U					P5	
5	#5093 574AA	1	J					P5	FOAM, Seat Cushion
		1	U					P5	Right
	#5093 575AA	1	J					P5	Right
		1	U					P5	Left
	#5104 689AA	1	U					P5	Postal Vehicle, Left
6								P5	FRAME, Front Seat
	#5093 572AA	2	J					P5	
		2	U					P5	
7	#5093 667AA	2	J					P5	KNOB, Seat Back Latch
		2	U					P5	
8	#5093 666AA	1	U					P5	BEZEL, Seat Release
		1	J					P5	
9	#5093 669AA	2	J					P5	CABLE, Seat Back Release
		2	U					P5	



JEEP WRANGLER (TJ)

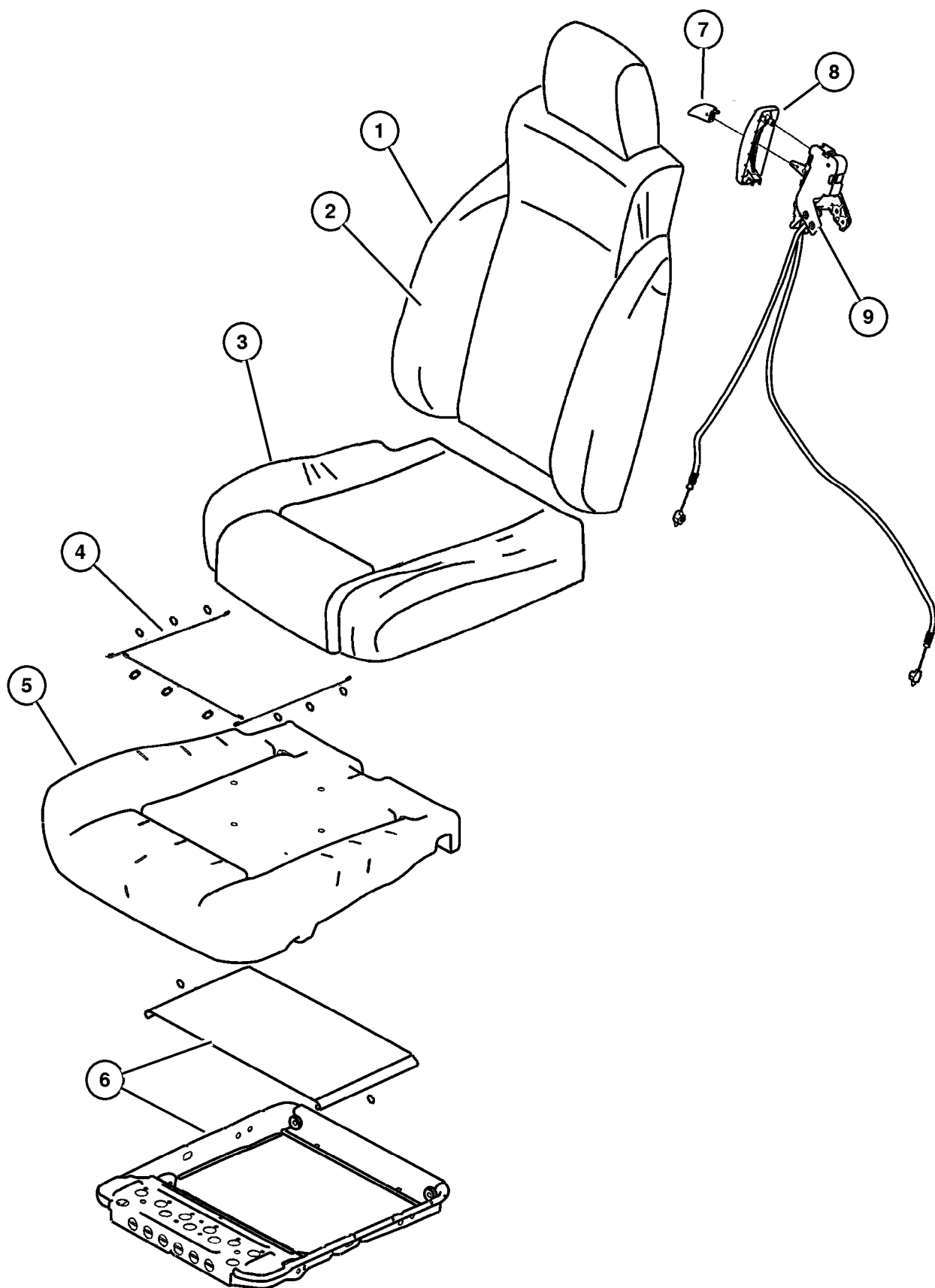
SERIES	LINE	BODY	ENGINE	TRANSMISSION
H = Sport	J = Wrangler 4WD	77 = 93.4 WB	ED1, ED0 = 2.4L DOHC	DGG, DGD = 32RH 3 Spd Auto
L = SE	U = Wrangler 4WD (RHD)		ERH = 4.0L Power Tech	DDD = 5 Speed HD Manual
M = X				DG0 = Auto. Trans.
P = Sahara				DBB = Manual Trans.
S = Rubicon				DDK = 5 Speed Manual

AR = Use as required - = Non illustrated part # = New this model year

September 29, 2003

Front, Cloth, Trim Code [S5]  
Figure ITJ-530

ITEM	PART NUMBER	QTY	LINE	SERIES	BODY	ENGINE	TRANS	TRIM	DESCRIPTION
1									BACK, Front Seat
	#XU66 1J3AA	1	J					S5	Up to 2/4/03, Right
		1	U					S5	Up to 2/4/03, Right
	#XU67 1J3AA	1	J					S5	Up to 2/4/03, Left
		1	U					S5	Up to 2/4/03, Left
	#ZH06 1J3AA	1	J					S5	After 2/4/03, Right
		1	U					S5	After 2/4/03, Right
	#ZH07 1J3AA	1	J					S5	After 2/4/03, Left
		1	U					S5	After 2/4/03, Left
2									COVER, Front Seat Back
	#XU64 1J3AA	1	J					S5	Up to 2/4/03, Right
		1	U					S5	Up to 2/4/03, Right
	#XU65 1J3AA	1	J					S5	Up to 2/4/03, Left
		1	U					S5	Up to 2/4/03, Left
	#ZH04 1J3AA	1	J					S5	After 2/4/03, Right
		1	U					S5	After 2/4/03, Right
	#ZH05 1J3AA	1	J					S5	After 2/4/03, Left
		1	U					S5	After 2/4/03, Left
3									COVER, Front Seat Cushion
	#XU58 1J3AA	1	J					S5	Right
		1	U					S5	Right
	#XU59 1J3AA	1	J					S5	Left
		1	U					S5	Left
4									WIRE KIT, Trimming
	#5093 573AA	2	J					S5	
		2	U					S5	
5									FOAM, Seat Cushion
	#5093 574AA	1	J					S5	Right
		1	U					S5	Right
	#5093 575AA	1	J					P5	Left
		1	U					S5	Left
6									FRAME, Front Seat
	#5093 572AA	2	J					S5	
		2	U					S5	
7									KNOB, Seat Back Latch
	#5093 667AA	2	J					S5	
		2	U					S5	
8									BEZEL, Seat Release
	#5093 666AA	2	J					S5	
		2	U					S5	
9									CABLE, Seat Back Release



JEEP WRANGLER (TJ)

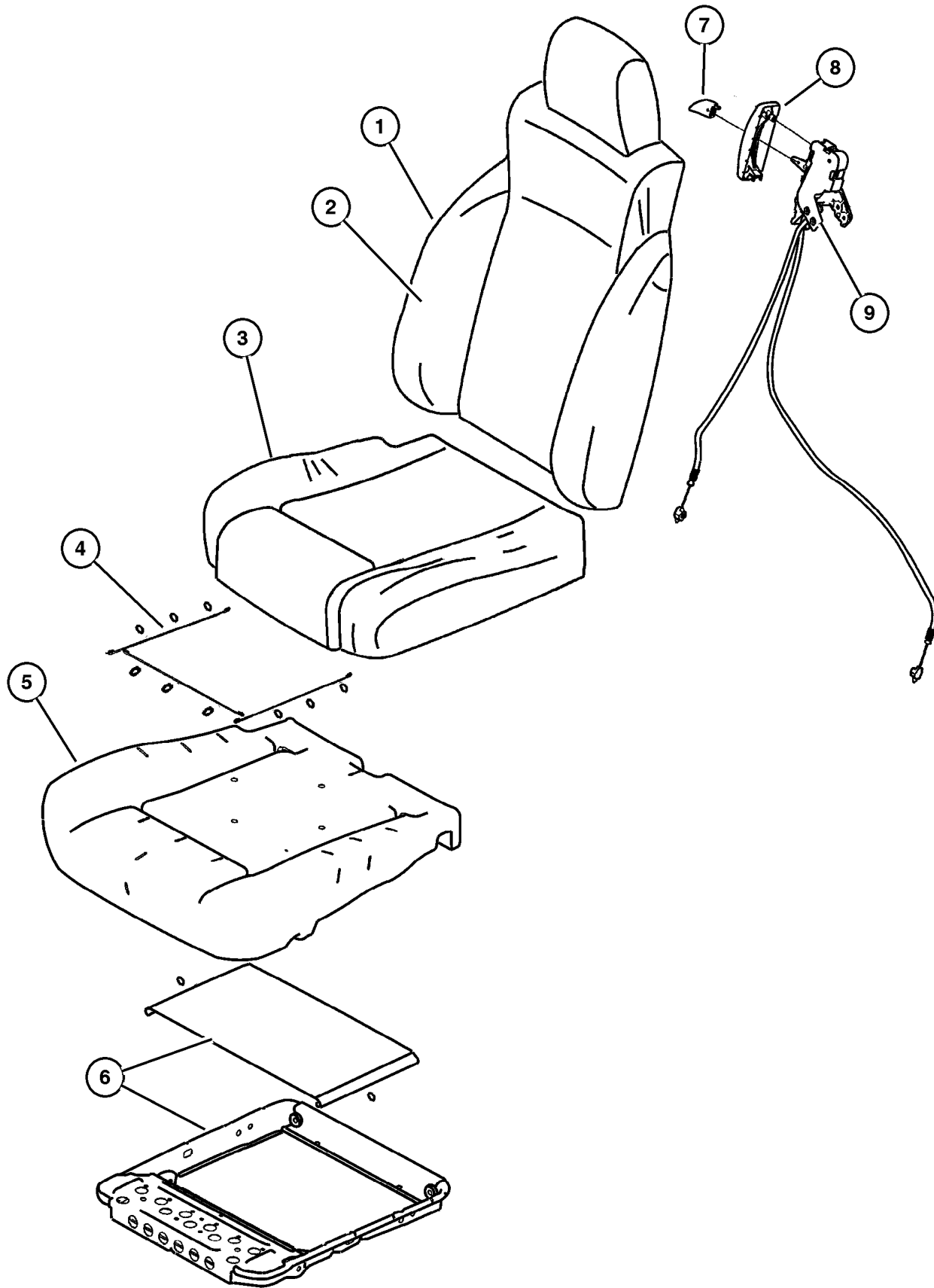
SERIES	LINE	BODY	ENGINE	TRANSMISSION
H = Sport	J = Wrangler 4WD	77 = 93.4 WB	ED1, ED0 = 2.4L DOHC	DGG, DGD = 32RH 3 Spd Auto
L = SE	U = Wrangler 4WD (RHD)		ERH = 4.0L Power Tech	DDD = 5 Speed HD Manual
M = X				DG0 = Auto. Trans.
P = Sahara				DBB = Manual Trans.
S = Rubicon				DDK = 5 Speed Manual

AR = Use as required - = Non illustrated part # = New this model year

September 29, 2003

Front, Cloth, Trim Code [S5]  
Figure ITJ-530

ITEM	PART NUMBER	QTY	LINE	SERIES	BODY	ENGINE	TRANS	TRIM	DESCRIPTION
	#5093 669AA	2	J					S5	
		2	U					S5	



**JEEP WRANGLER (TJ)**

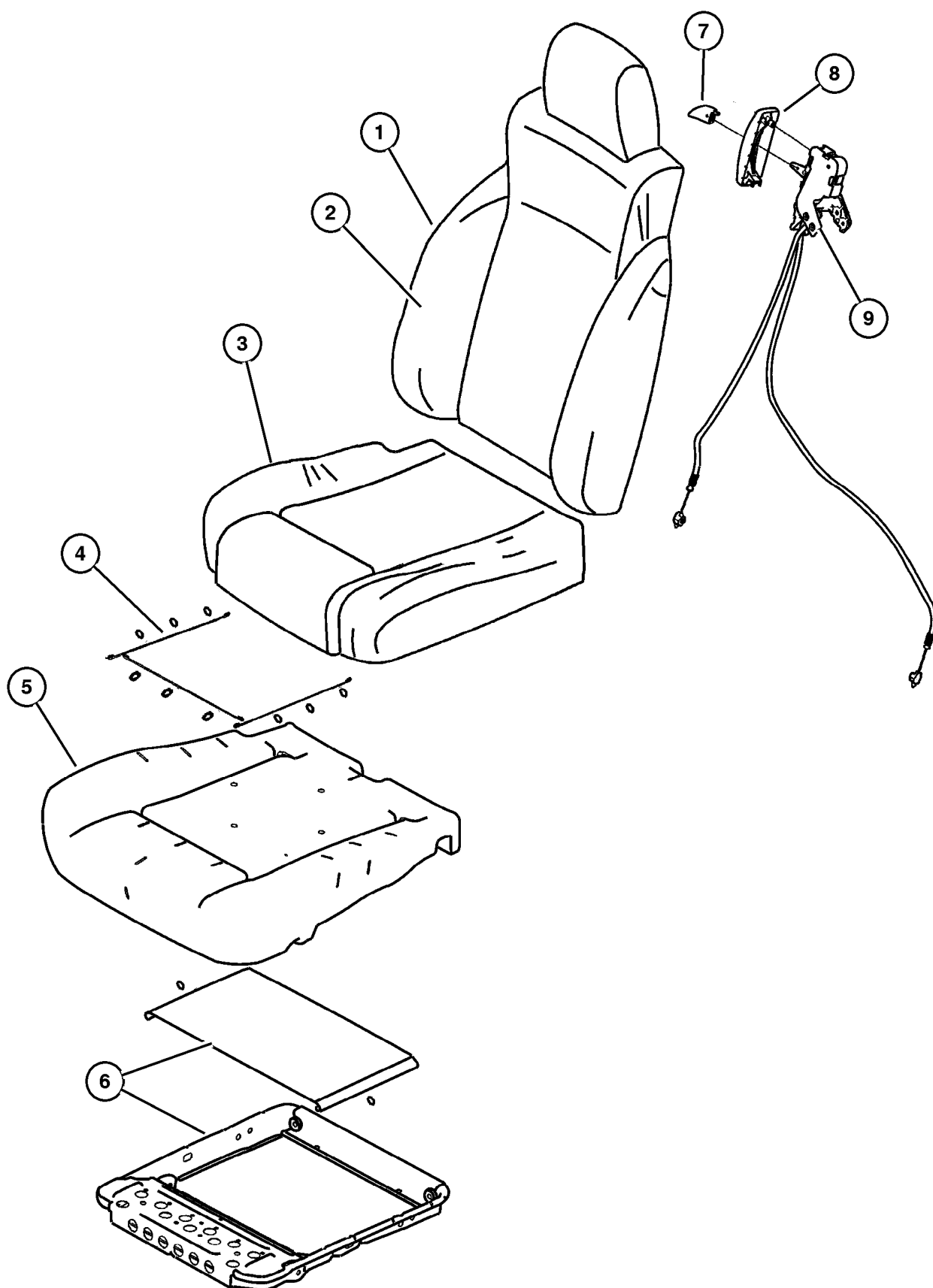
SERIES	LINE	BODY	ENGINE	TRANSMISSION
H = Sport	J = Wrangler 4WD	77 = 93.4 WB	ED1, ED0 = 2.4L DOHC	DGG, DGD = 32RH 3 Spd Auto
L = SE	U = Wrangler 4WD (RHD)		ERH = 4.0L Power Tech	DDD = 5 Speed HD Manual
M = X				DG0 = Auto. Trans.
P = Sahara				DBB = Manual Trans.
S = Rubicon				DDK = 5 Speed Manual

AR = Use as required - = Non illustrated part # = New this model year

September 29, 2003

Front, Cloth, Trim Code [A5]  
Figure ITJ-540

ITEM	PART NUMBER	QTY	LINE	SERIES	BODY	ENGINE	TRANS	TRIM	DESCRIPTION
1	#ZM54 1DVAA	1	J					A5	BACK, Front Seat Right
	#ZM55 1DVAA	1	J					A5	Left
2	#ZM52 1DVAA	1	J					A5	COVER, Front Seat Back Right
	#ZM53 1DVAA	1	J					A5	Left
3	#ZM50 1DVAA	1	J					A5	COVER, Front Seat Cushion Right
	#ZM51 1DVAA	1	J					A5	Left
4	#5093 573AA	2	J					A5	WIRE KIT, Trimming
5	#5093 574AA	1	J					A5	FOAM, Seat Cushion Right
	#5093 575AA	1	J					A5	Left
6	#5093 572AA	2	J					A5	FRAME, Front Seat
7	#5093 667AA	1	J					A5	KNOB, Seat Back Latch
8	#5093 666AA	1	J					A5	BEZEL, Seat Release
9	#5093 669AA	1	J					A5	CABLE, Seat Back Release



JEEP WRANGLER (TJ)

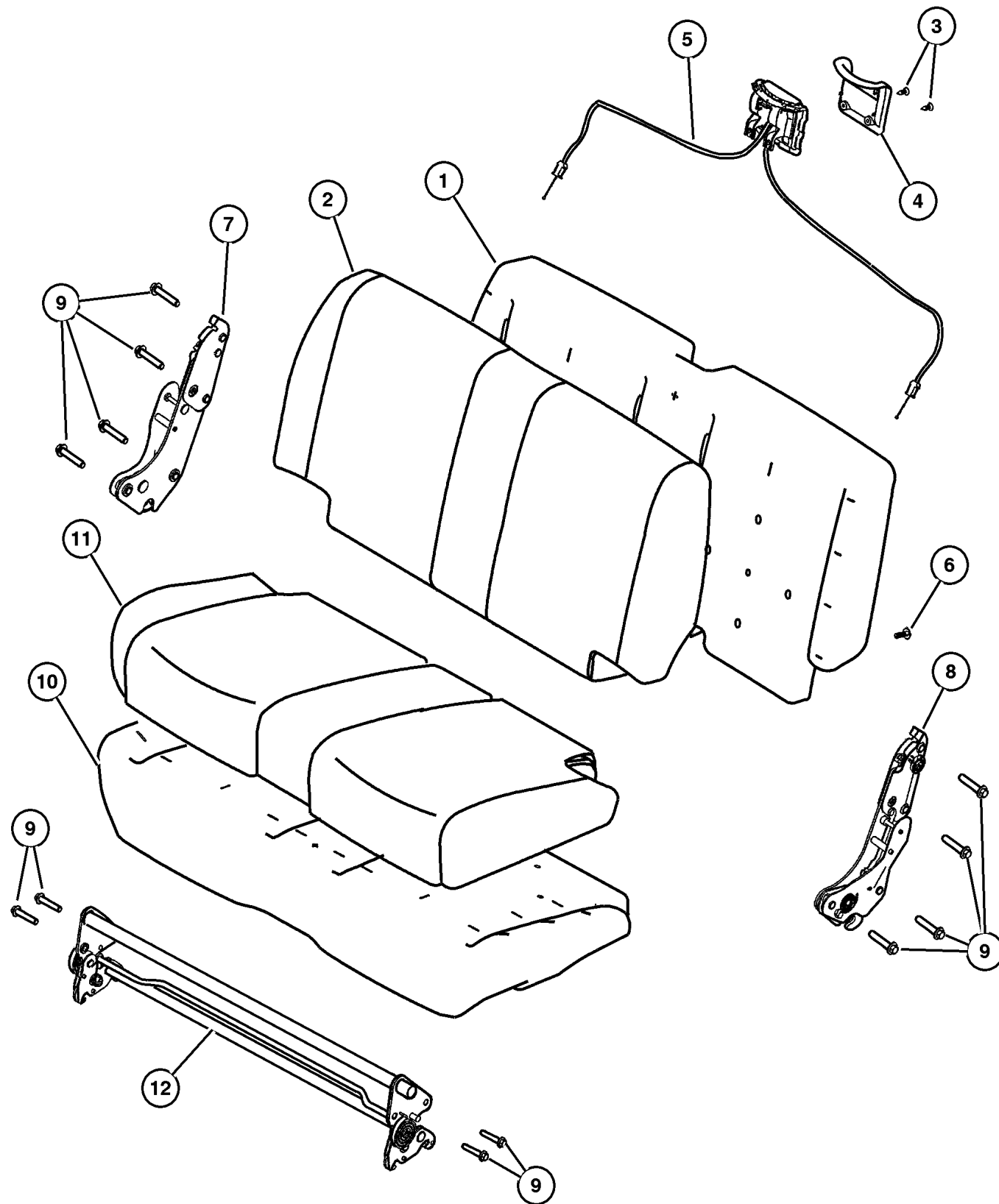
SERIES	LINE	BODY	ENGINE	TRANSMISSION
H = Sport	J = Wrangler 4WD	77 = 93.4 WB	ED1, ED0 = 2.4L DOHC	DGG, DGD = 32RH 3 Spd Auto
L = SE	U = Wrangler 4WD (RHD)		ERH = 4.0L Power Tech	DDD = 5 Speed HD Manual
M = X				DG0 = Auto. Trans.
P = Sahara				DBB = Manual Trans.
S = Rubicon				DDK = 5 Speed Manual

AR = Use as required - = Non illustrated part # = New this model year

September 29, 2003



Rear, Vinyl, Trim Code [H6]  
Figure ITJ-610



ITEM	PART NUMBER	QTY	LINE	SERIES	BODY	ENGINE	TRANS	TRIM	DESCRIPTION
1									SEAT BACK, Rear
	#XU23 1DVAA	1	J					H6	[DV]
		1	U					H6	[DV]
	#XU23 1J3AA	1	J					H6	[J3]
		1	U					H6	[J3]
2									COVER, Rear Seat Back
	#XU19 1DVAA	1	J					H6	[DV]
		1	U					H6	[DV]
	#XU19 1J3AA	1	J					H6	[J3]
		1	U					H6	[J3]
3									SCREW, Trim
	5072 741AA	2	J					H6	
		2	U					H6	
4									COVER, Seat latch
	#5093 702AA	1	J					H6	
		1	U					H6	
5									CABLE, REAR SEAT RELEASE
	#5093 668AA	1	J					H6	
		1	U					H6	
6									RETAINER, Cushion Cover
	5019 522AA	4	J					H6	
		4	U					H6	
7									LATCH, Seat
	#5093 586AA	1	J					H6	Right
		1	U					H6	Right
8									LATCH, Seat
	#5093 587AA	1	J					H6	Left
		1	U					H6	Left
9									BOLT, Latch Seat Back
	#5093 646AA	12	J					H6	
		12	U					H6	
10									CUSHION, Rear Seat
	#XU33 1DVAA	1	J					H6	[DV]
		1	U					H6	[DV]
	#XU33 1J3AA	1	J					H6	[J3]
		1	U					H6	[J3]
11									COVER, Rear Seat Cushion
	#XU27 1DVAA	1	J					H6	[DV]
		1	U					H6	[DV]
	#XU27 1J3AA	1	J					H6	[J3]
		1	U					H6	[J3]
12									BRACKET, Rear Seat Mount

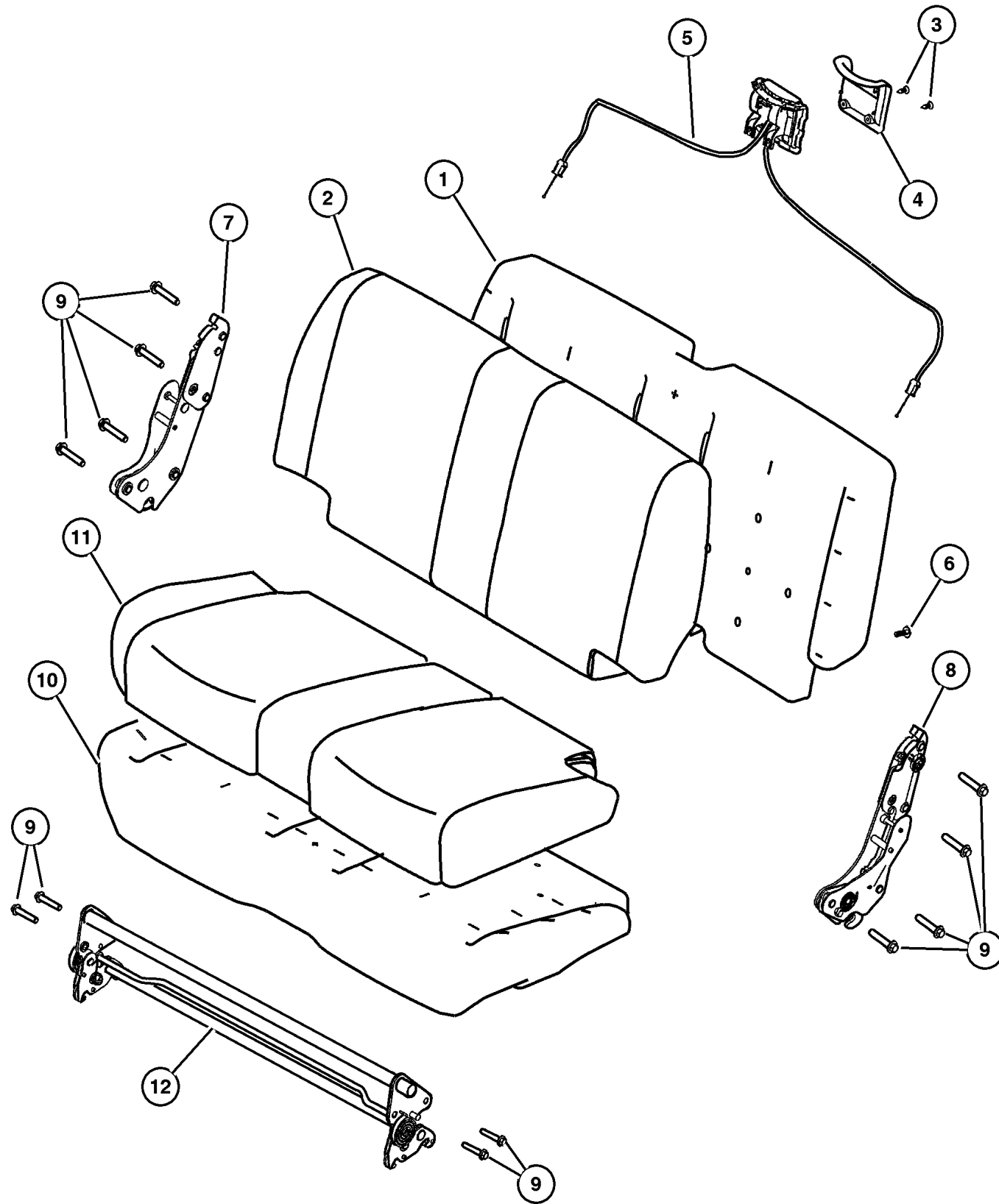
JEEP WRANGLER (TJ)

SERIES	LINE	BODY	ENGINE	TRANSMISSION
H = Sport	J = Wrangler 4WD	77 = 93.4 WB	ED1, ED0 = 2.4L DOHC	DGG, DGD = 32RH 3 Spd Auto
L = SE	U = Wrangler 4WD (RHD)		ERH = 4.0L Power Tech	DDD = 5 Speed HD Manual
M = X				DG0 = Auto. Trans.
P = Sahara				DBB = Manual Trans.
S = Rubicon				DDK = 5 Speed Manual

AR = Use as required - = Non illustrated part # = New this model year

September 29, 2003

Rear, Vinyl, Trim Code [H6]  
Figure ITJ-610



ITEM	PART NUMBER	QTY	LINE	SERIES	BODY	ENGINE	TRANS	TRIM	DESCRIPTION
	#5093 670AA	1	J					H6	
		1	U					H6	

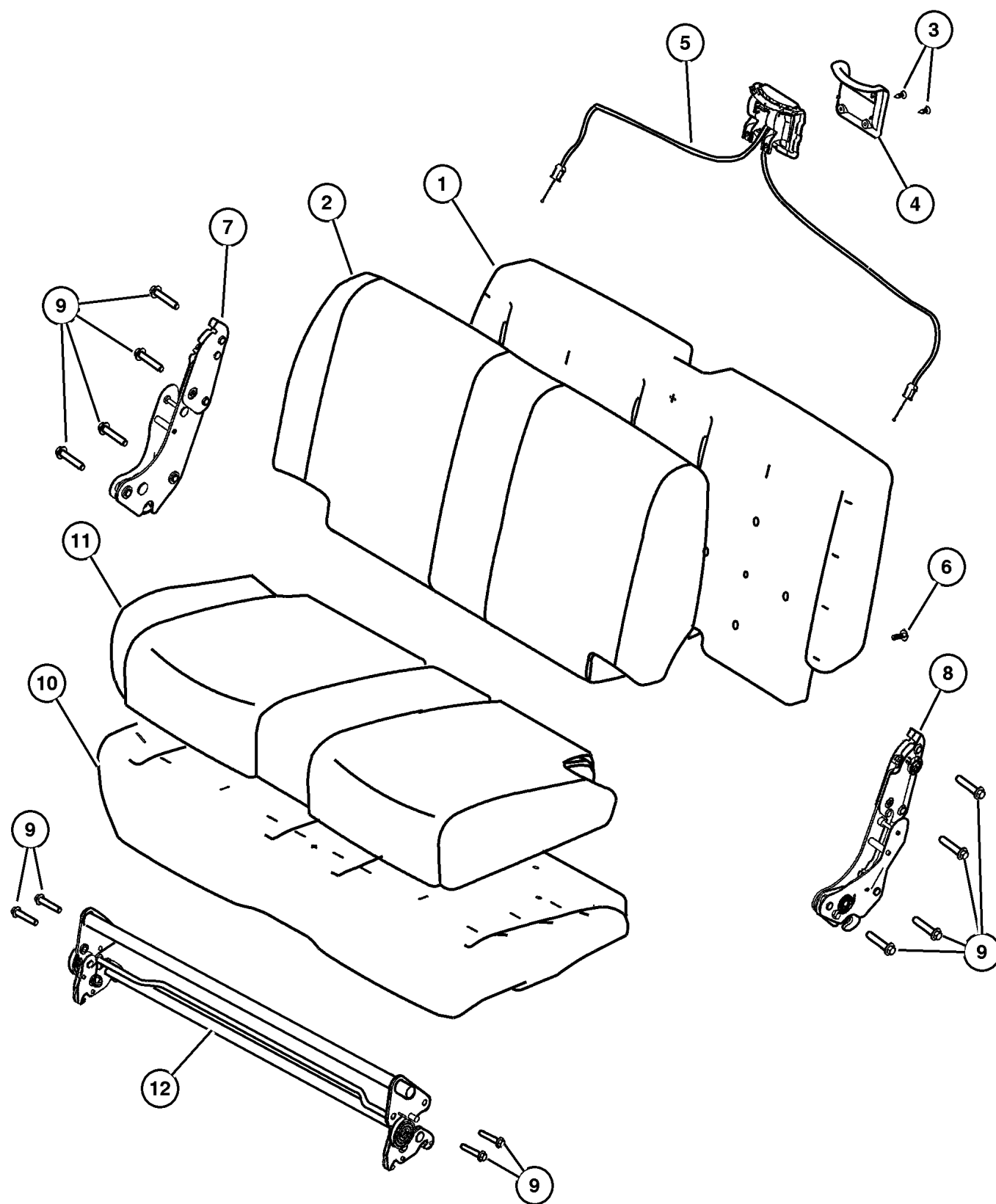
JEEP WRANGLER (TJ)

SERIES	LINE	BODY	ENGINE	TRANSMISSION
H = Sport	J = Wrangler 4WD	77 = 93.4 WB	ED1, ED0 = 2.4L DOHC	DGG, DGD = 32RH 3 Spd Auto
L = SE	U = Wrangler 4WD (RHD)		ERH = 4.0L Power Tech	DDD = 5 Speed HD Manual
M = X				DG0 = Auto. Trans.
P = Sahara				DBB = Manual Trans.
S = Rubicon				DDK = 5 Speed Manual

AR = Use as required - = Non illustrated part # = New this model year

September 29, 2003

Rear, Cloth, Trim Code [P5]  
Figure ITJ-620



ITEM	PART NUMBER	QTY	LINE	SERIES	BODY	ENGINE	TRANS	TRIM	DESCRIPTION
1									SEAT BACK, Rear
	#XU50 1DVAA	1	J					P5	[DV]
		1	U					P5	[DV]
	#XU50 1J3AA	1	J					P5	[J3]
		1	U					P5	[J3]
2									COVER, Rear Seat Back
	#XU39 1DVAA	1	J					P5	[DV]
		1	U					P5	[DV]
	#XU39 1J3AA	1	J					P5	[J3]
		1	U					P5	[J3]
3									SCREW, Trim
	5072 741AA	2	J					P5	
		2	U					P5	
4									COVER, Seat latch
	#5093 702AA	1	J					P5	
		1	U					P5	
5									CABLE, REAR SEAT RELEASE
	#5093 668AA	1	J					P5	
		1	U					P5	
6									RETAINER, Cushion Cover
	5019 522AA	4	J					P5	
		4	U					P5	
7									LATCH, Seat
	#5093 586AA	1	J					P5	Right
		1	U					P5	Right
8									LATCH, Seat
	#5093 587AA	1	J					P5	Left
		1	U					P5	Left
9									BOLT, Latch Seat Back
	#5093 646AA	12	J					P5	
		12	U					P5	
10									CUSHION, Rear Seat
	#XU52 1DVAA	1	J					P5	[DV]
		1	U					P5	[DV]
	#XU52 1J3AA	1	J					P5	[J3]
		1	U					P5	[J3]
11									COVER, Rear Seat Cushion
	#XU51 1DVAA	1	J					P5	[DV]
		1	U					P5	[DV]
	#XU51 1J3AA	1	J					P5	[J3]
		1	U					P5	[J3]
12									BRACKET, Rear Seat Mount

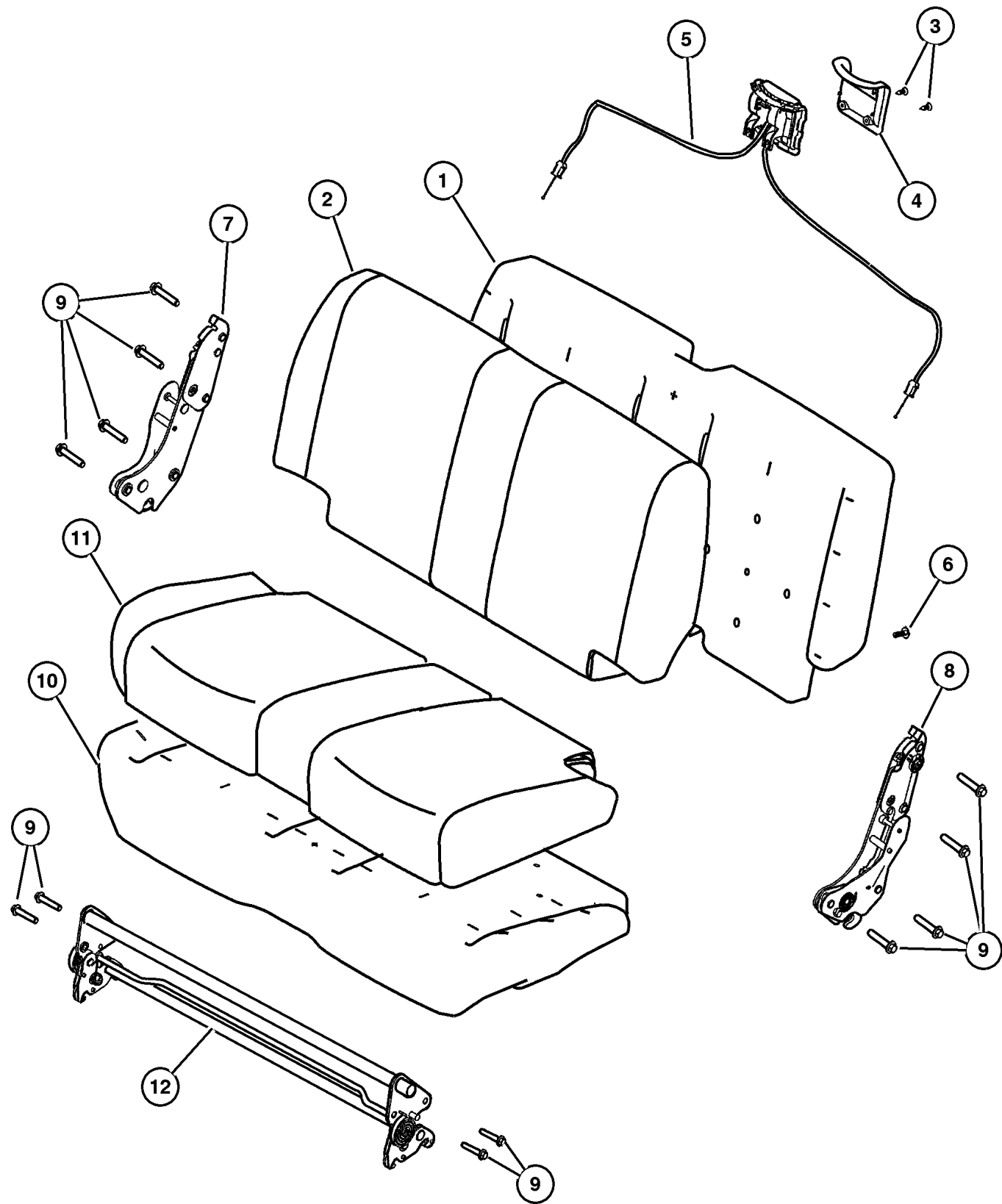
JEEP WRANGLER (TJ)

SERIES	LINE	BODY	ENGINE	TRANSMISSION
H = Sport	J = Wrangler 4WD	77 = 93.4 WB	ED1, ED0 = 2.4L DOHC	DGG, DGD = 32RH 3 Spd Auto
L = SE	U = Wrangler 4WD (RHD)		ERH = 4.0L Power Tech	DDD = 5 Speed HD Manual
M = X				DG0 = Auto. Trans.
P = Sahara				DBB = Manual Trans.
S = Rubicon				DDK = 5 Speed Manual

AR = Use as required - = Non illustrated part # = New this model year

September 29, 2003

Rear, Cloth, Trim Code [P5]  
Figure ITJ-620



ITEM	PART NUMBER	QTY	LINE	SERIES	BODY	ENGINE	TRANS	TRIM	DESCRIPTION
	#5093 670AA	1	J					P5	
		1	U					P5	

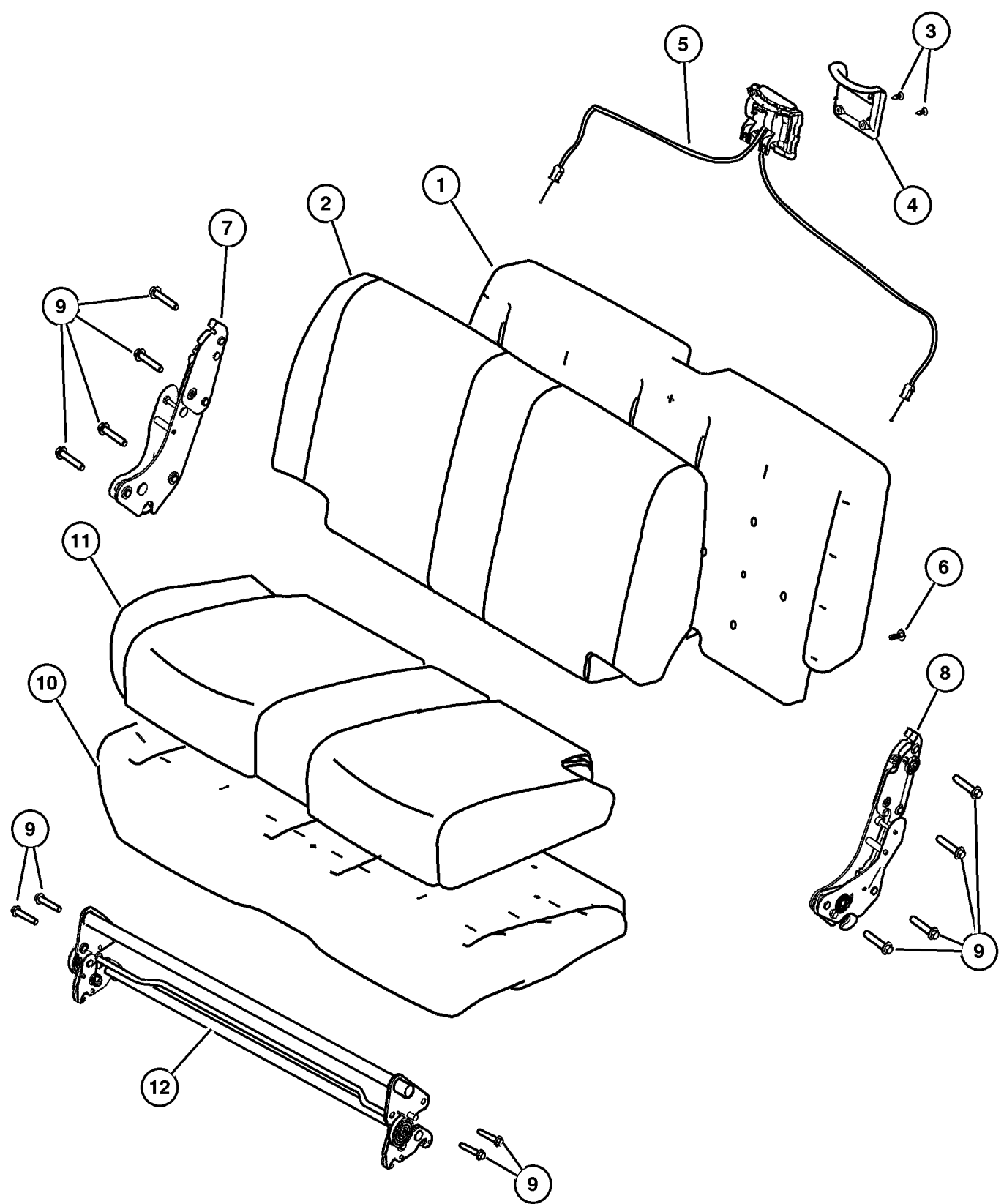
JEEP WRANGLER (TJ)

SERIES	LINE	BODY	ENGINE	TRANSMISSION
H = Sport	J = Wrangler 4WD	77 = 93.4 WB	ED1, ED0 = 2.4L DOHC	DGG, DGD = 32RH 3 Spd Auto
L = SE	U = Wrangler 4WD (RHD)		ERH = 4.0L Power Tech	DDD = 5 Speed HD Manual
M = X				DG0 = Auto. Trans.
P = Sahara				DBB = Manual Trans.
S = Rubicon				DDK = 5 Speed Manual

AR = Use as required - = Non illustrated part # = New this model year

September 29, 2003

Rear, Cloth, Trim Code [S5]  
Figure ITJ-630



ITEM	PART NUMBER	QTY	LINE	SERIES	BODY	ENGINE	TRANS	TRIM	DESCRIPTION
1									SEAT BACK, Rear
	#XU69 1J3AA	1	J					S5	
		1	U					S5	
2									COVER, Rear Seat Back
	#XU68 1J3AA	1	J					S5	
		1	U					S5	
3									SCREW, Trim
	5072 741AA	2	U					S5	
		2	J					S5	
4									COVER, Seat latch
	#5093 702AA	1	J					S5	
		1	U					S5	
5									CABLE, REAR SEAT RELEASE
	#5093 668AA	1	J					S5	
		1	U					S5	
6									RETAINER, Cushion Cover
	5019 522AA	4	J					S5	
		4	U					S5	
7									LATCH, Seat Right
	#5093 586AA	1	J					S5	
		1	U					S5	
8									LATCH, Seat Left
	#5093 587AA	1	U					S5	
		1	J					S5	
9									BOLT, Latch Seat Back
	#5093 646AA	12	U					S5	
		12	J					S5	
10									CUSHION, Rear Seat
	#XU78 1J3AA	1	J					S5	
		1	U					S5	
11									COVER, Rear Seat Cushion
	#XU77 1J3AA	1	J					S5	
		1	U					S5	
12									BRACKET, Rear Seat Mount
	#5093 670AA	1	U					S5	
		1	J					S5	

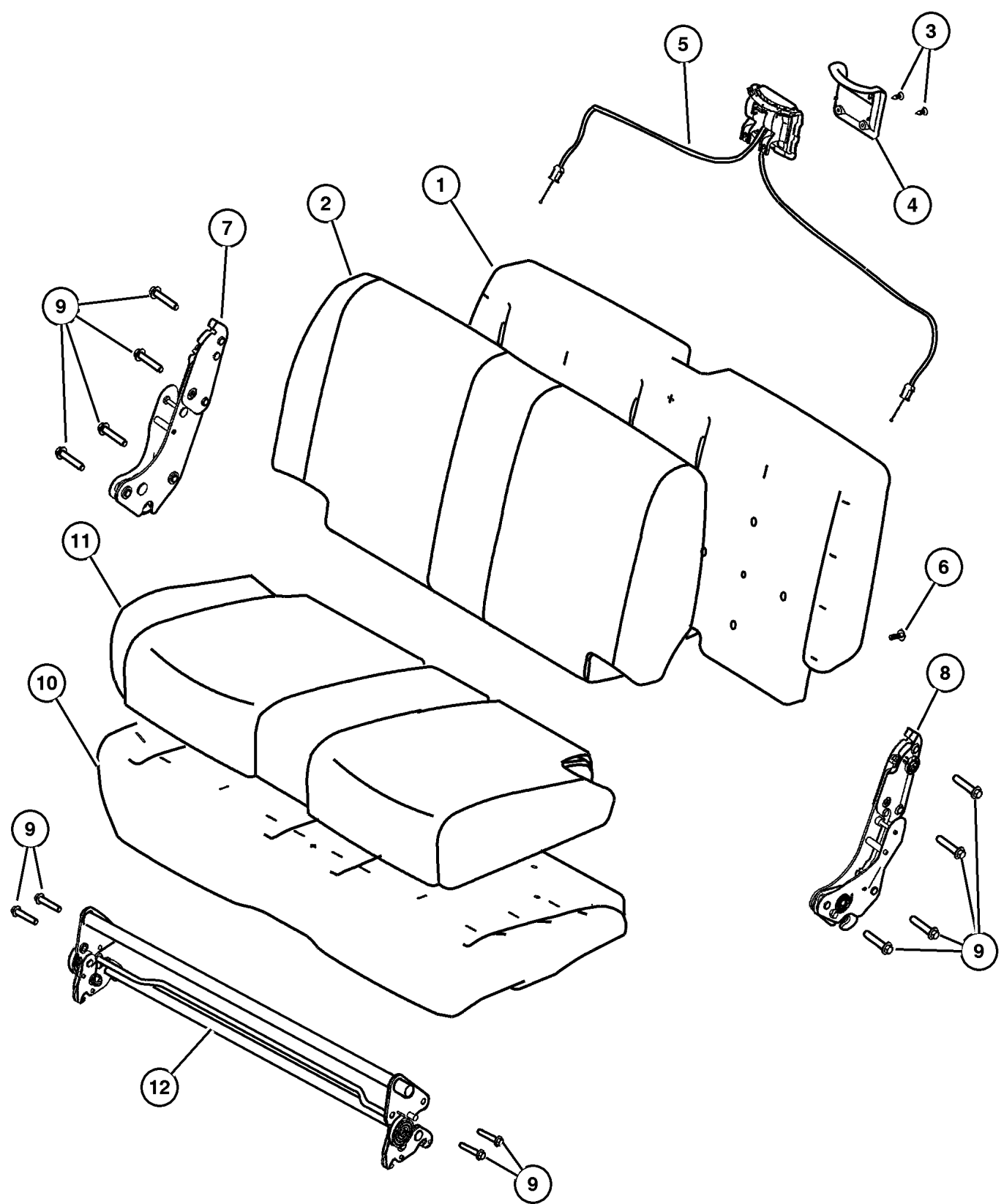
JEEP WRANGLER (TJ)

SERIES	LINE	BODY	ENGINE	TRANSMISSION
H = Sport	J = Wrangler 4WD	77 = 93.4 WB	ED1, ED0 = 2.4L DOHC	DGG, DGD = 32RH 3 Spd Auto
L = SE	U = Wrangler 4WD (RHD)		ERH = 4.0L Power Tech	DDD = 5 Speed HD Manual
M = X				DG0 = Auto. Trans.
P = Sahara				DBB = Manual Trans.
S = Rubicon				DDK = 5 Speed Manual

AR = Use as required - = Non illustrated part # = New this model year

September 29, 2003

Rear, Cloth, Trim Code [A5]  
Figure ITJ-640



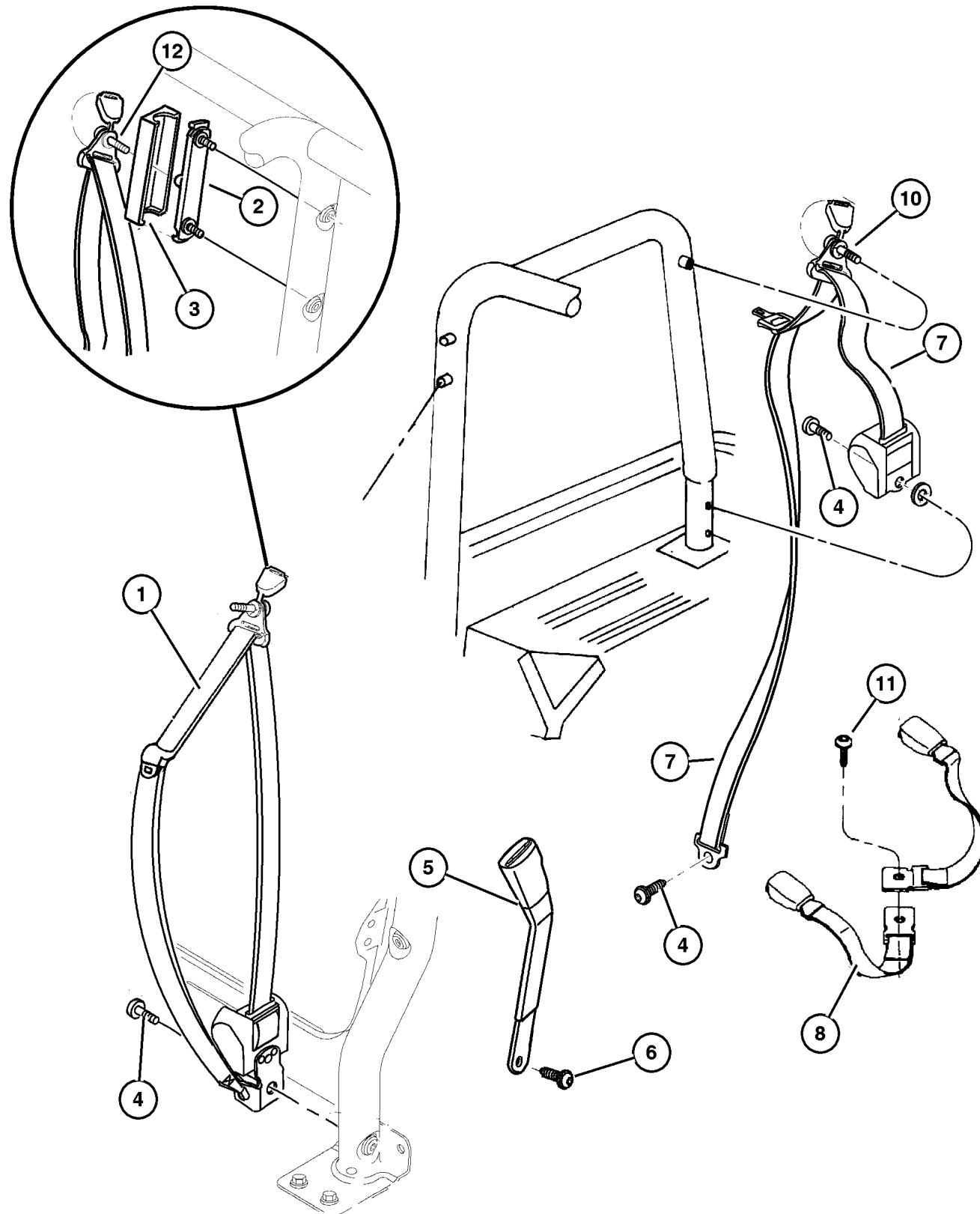
ITEM	PART NUMBER	QTY	LINE	SERIES	BODY	ENGINE	TRANS	TRIM	DESCRIPTION
1	#ZM56 1DVAA	1	J					A5	SEAT BACK, Rear
2	#ZM49 1DVAA	1	J					A5	COVER, Rear Seat Back
3	5072 741AA	2	J					A5	SCREW, Trim
4	#5093 702AA	1	J					A5	COVER, Seat latch
5	#5093 668AA	1	J					A5	CABLE, REAR SEAT RELEASE
6	5019 522AA	4	J					A5	RETAINER, Cushion Cover
7	#5093 586AA	1	J					A5	LATCH, Seat, Right
8	#5093 587AA	1	J					A5	LATCH, Seat, Left
9	#5093 646AA	12	J					A5	BOLT, Latch Seat Back
10	#ZM58 1DVAA	1	J					A5	CUSHION, Rear Seat
11	#ZM57 1DVAA	1	J					A5	COVER, Rear Seat Cushion
12	#5093 670AA	1	J					A5	BRACKET, Rear Seat Mount

JEEP WRANGLER (TJ)  
 SERIES LINE BODY ENGINE TRANSMISSION  
 H = Sport J = Wrangler 4WD 77 = 93.4 WB ED1, ED0 = 2.4L DOHC DGG, DGD = 32RH 3 Spd Auto  
 L = SE U = Wrangler 4WD (RHD) ERH = 4.0L Power Tech DDD = 5 Speed HD Manual  
 M = X DBB = Manual Trans.  
 P = Sahara DDK = 5 Speed Manual  
 S = Rubicon

AR = Use as required - = Non illustrated part # = New this model year

September 29, 2003

## Seat Belts Figure ITJ-710



ITEM	PART NUMBER	QTY	LINE	SERIES	BODY	ENGINE	TRANS	TRIM	DESCRIPTION
1									SEAT BELT, Front Outer
	#5JC54 1X9AA	1	J						Right
	#5JC55 1X9AA	1	J						Up to 3/3/03, Left
	#5JC55 1X9AC	1							After 3/3/03, Left
	#5JC56 1X9AA	1							Right, Export
	#5JC57 1X9AA	1							Left, Export
	#5JC54 1XRAB	1							Red, Right
	#5JC55 1XRAC	1							Red, Left
2	55217 173AC	2							ADJUSTER, Seat Belt Turning Loop
3									COVER, Turning Loop
	#5HM32 DX9AC	1		S					[DV], Right
		1		H, L, M					[DV], Right
	#5HM32 ZJ3AC	1		P					[J3], Right
	#5HM33 DX9AC	1		S					[DV], Left
		1		H, L, M					[DV], Left
	#5HM33 ZJ3AC	1		P					[J3], Left
4	6036 187AA	2							SCREW, Pan Head
5									SEAT BELT, Front Inner
	#5HS50 1X9AD	1	J					A5	Up to 6/5/03, Right
	#5HS50 1X9AE	1	J					H6	After 6/5/03, Right
	#5HS49 1X9AE	1	U					H6	After 6/5/03, Left
		1	J					H6	After 6/5/03, Left
	#5HS49 1X9AC	1	U					P5	Up to 6/5/03, Left
		1	J					P5	Up to 6/5/03, Left
	#5HS50 1X9AD	1	J					P5	Up to 6/5/03, Right
		1	U					P5	Up to 6/5/03, Right
	#5HS50 1X9AE	1	U					P5	After 6/5/03, Right
		1	J					P5	After 6/5/03, Right
	#5HS49 1X9AE	1	U					P5	After 6/5/03, Left
	#5HS49 1X9AD	1	J					A5	Up to 6/5/03, Left
	#5HS49 1X9AE	1	J					P5	After 6/5/03, Left
	#5HS49 1X9AC	1	U					S5	Up to 6/5/03, Left
		1	J					S5	Up to 6/5/03, Left
	#5HS50 1X9AC	1	U					S5	Up to 6/5/03, Right
		1	J					S5	Up to 6/5/03, Right
	#5HS49 1X9AE	1	J					S5	After 6/5/03, Left
		1	U					S5	After 6/5/03, Left
	#5HS50 1X9AE	1	J					S5	After 6/5/03, Right
		1	U					S5	After 6/5/03, Right
	#5HS49 1X9AE	1	J					A5	After 6/5/03, Left
	#5HS50 1X9AE	1	J					A5	After 6/5/03, Right

### JEEP WRANGLER (TJ)

SERIES  
H = Sport  
L = SE  
M = X  
P = Sahara  
S = Rubicon

LINE  
J = Wrangler 4WD  
U = Wrangler 4WD (RHD)

BODY  
77 = 93.4 WB

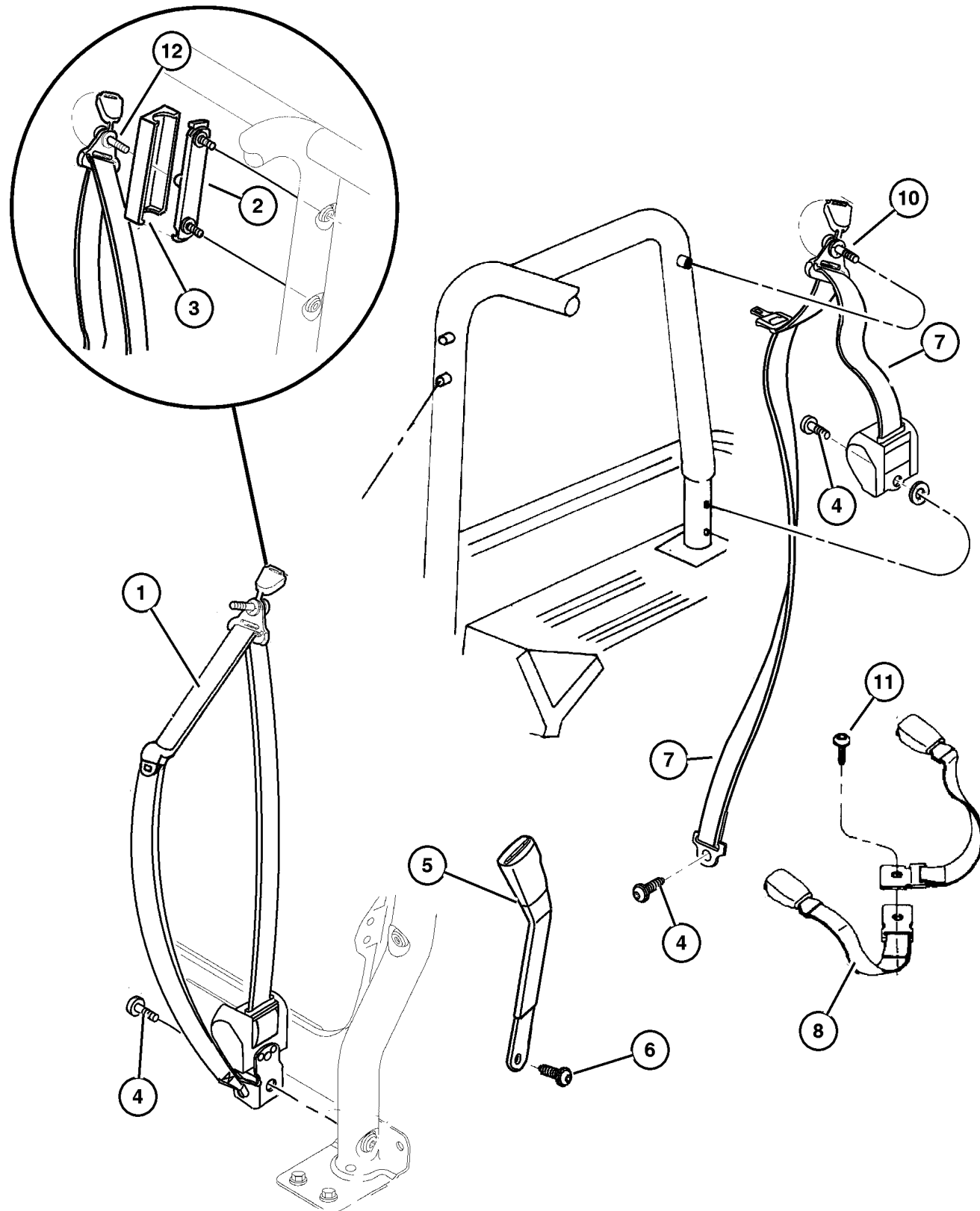
ENGINE  
ED1, ED0 = 2.4L DOHC  
ERH = 4.0L Power Tech

TRANSMISSION  
DGG, DGD = 32RH 3 Spd Auto  
DDD = 5 Speed HD Manual  
DGO = Auto. Trans.  
DDB = Manual Trans.  
DDK = 5 Speed Manual

AR = Use as required - = Non illustrated part # = New this model year

September 29, 2003

## Seat Belts Figure ITJ-710



ITEM	PART NUMBER	QTY	LINE	SERIES	BODY	ENGINE	TRANS	TRIM	DESCRIPTION
	#5HS49 1X9AA	1	J					H6	Up to 6/5/03, Left
	#5HS49 1X9AC	1	U					H6	Up to 6/5/03, Left
	#5HS50 1X9AC	1	J					H6	Up to 6/5/03, Right
		1	U					H6	Up to 6/5/03, Right
	#5HS50 1X9AE	1	U					H6	After 6/5/03, Right
6									BOLT, Seat Belt, Front Traveling Inboard Buckle Mounting
	#5093 709AA	2	J					A5	
		2	U					H6	
		2	J					H6	
		2	U					P5	
		2	J					P5	
		2	J					S5	
		2	U					S5	
7									SEAT BELT, Rear Outer
	#5HV21 1X9AA	2	J						Export
	#5HV22 1X9AA	2							Red
	#5HV21 1XRAA	2							
8	#5JC53 1X9AA	1							SEAT BELT, Buckle Half
-9	5018 505AA	AR	J						EXTENDER, Seat Belt
10	#6036 438AA	2							BOLT, Seat Belt
11	6036 295AA	1							SCREW, Pan Head
12									BOLT, Seat Belt
	6034 388	1	J						Up to 9/19/02
	#6036 571AA	1							After 9/19/02

### JEEP WRANGLER (TJ)

SERIES  
H = Sport  
L = SE  
M = X  
P = Sahara  
S = Rubicon

LINE  
J = Wrangler 4WD  
U = Wrangler 4WD (RHD)

BODY  
77 = 93.4 WB

ENGINE  
ED1, ED0 = 2.4L DOHC  
ERH = 4.0L Power Tech

TRANSMISSION  
DGG, DGD = 32RH 3 Spd Auto  
DDD = 5 Speed HD Manual  
DG0 = Auto. Trans.  
DBB = Manual Trans.  
DDK = 5 Speed Manual

AR = Use as required - = Non illustrated part # = New this model year

September 29, 2003



## Seat Assemblies, Adjusters, Recliners Figure ITJ-810

ITEM	PART NUMBER	QTY	LINE	SERIES	BODY	ENGINE	TRANS	TRIM	DESCRIPTION
------	-------------	-----	------	--------	------	--------	-------	------	-------------

Note: If a seat that just dumps it has one cable and uses 05093677AA.  
If a seat dumps & slides it has two cables and uses 05093678AA.

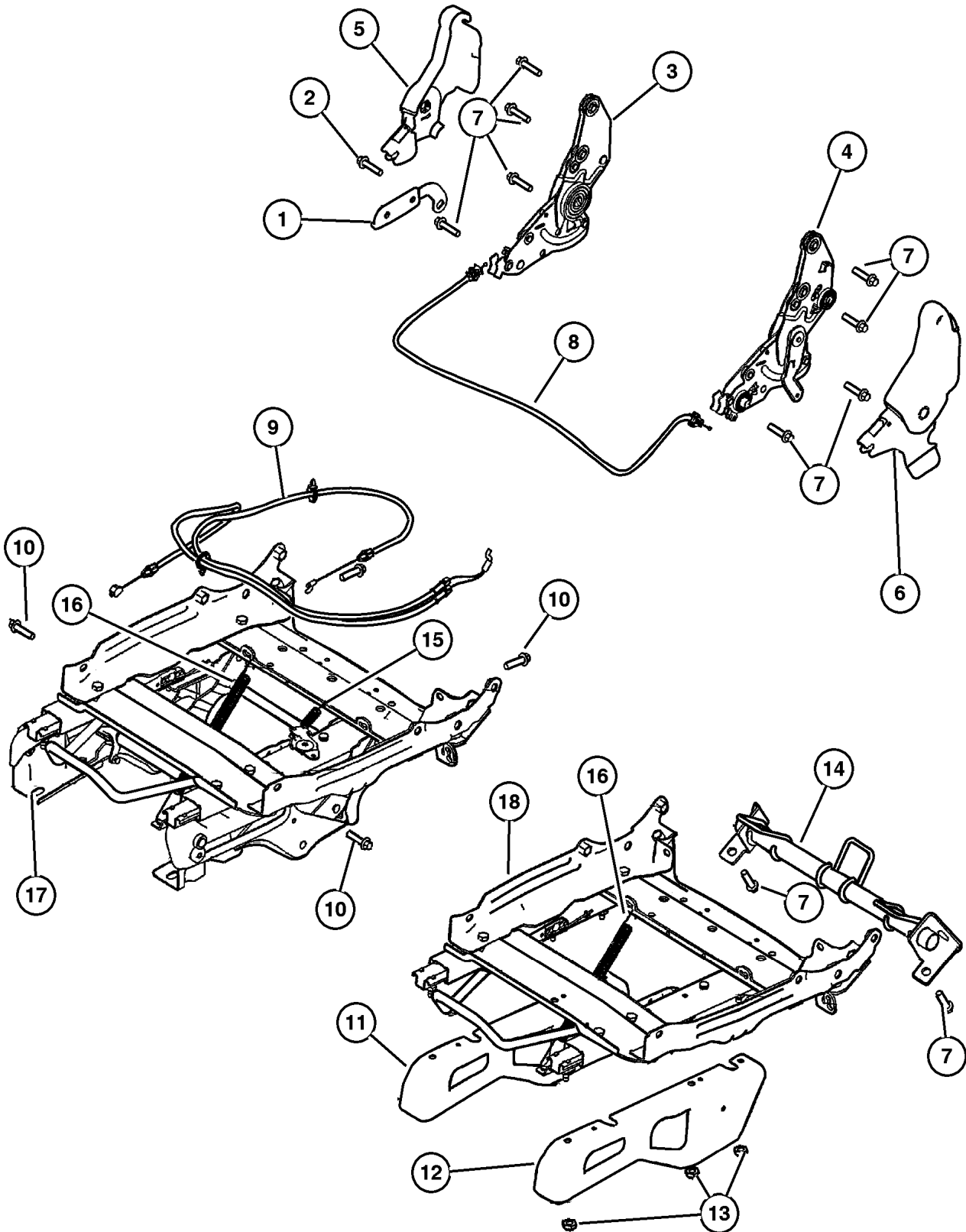
1									HANDLE, Recliner
	#5093 571AA	1	J					A5	Left
		1	U					P5	Left
	#5093 570AA	1	U					S5	Right
	#5093 571AA	1	U					S5	Left
	#5093 570AA	1	J					S5	Right
	#5093 571AA	1	J					S5	Left
	#5093 570AA	1	J					A5	Right
		1	J					H6	Right
		1	U					H6	Right
	#5093 571AA	1	U					H6	Left
		1	J					H6	Left
	#5093 570AA	1	J					P5	Right
		1	U					P5	Right
	#5093 571AA	1	J					P5	Left
2									SCREW, Recliner Handle
	#5096 184AA	2	J					A5	
		2	J					H6	
		2	U					H6	
		2	J					P5	
		2	U					P5	
3									RECLINER, Seat Back
	#5093 584AA	1	J					A5	Fixed Seat, Left,Inboard
	#5093 580AA	1	J					P5	Export, Easy Entry, Left,Inboard
		1	U					P5	Export, Easy Entry, Left,Inboard
	#5093 584AA	1	J					P5	Fixed Seat, Left,Inboard
	#5093 578AA	1	J					S5	Right,Outboard
		1	U					S5	Right,Outboard
	#5093 580AA	1	J					S5	Export, Easy Entry, Left,Inboard
		1	U					S5	Export, Easy Entry, Left,Inboard
	#5093 584AA	1	J					S5	Fixed Seat, Left,Inboard
	#5093 578AA	1	J					A5	Right,Outboard
	#5093 584AA	1	J					H6	Fixed Seat, Left,Inboard
	#5093 580AA	1	J					H6	Export, Easy Entry, Left,Inboard
	#5093 578AA	1	J					H6	Right,Outboard
	#5093 580AA	1	U					H6	Export, Easy Entry, Left,Inboard
	#5093 578AA	1	U					H6	Right,Outboard
		1	J					P5	Right,Outboard
		1	U					P5	Right,Outboard
4									RECLINER, Seat Back

### JEEP WRANGLER (TJ)

SERIES	LINE	BODY	ENGINE	TRANSMISSION
H = Sport	J = Wrangler 4WD	77 = 93.4 WB	ED1, ED0 = 2.4L DOHC	DGG, DGD = 32RH 3 Spd Auto
L = SE	U = Wrangler 4WD (RHD)		ERH = 4.0L Power Tech	DDD = 5 Speed HD Manual
M = X				DG0 = Auto. Trans.
P = Sahara				DBB = Manual Trans.
S = Rubicon				DDK = 5 Speed Manual

AR = Use as required - = Non illustrated part # = New this model year

September 29, 2003



## Seat Assemblies, Adjusters, Recliners Figure ITJ-810

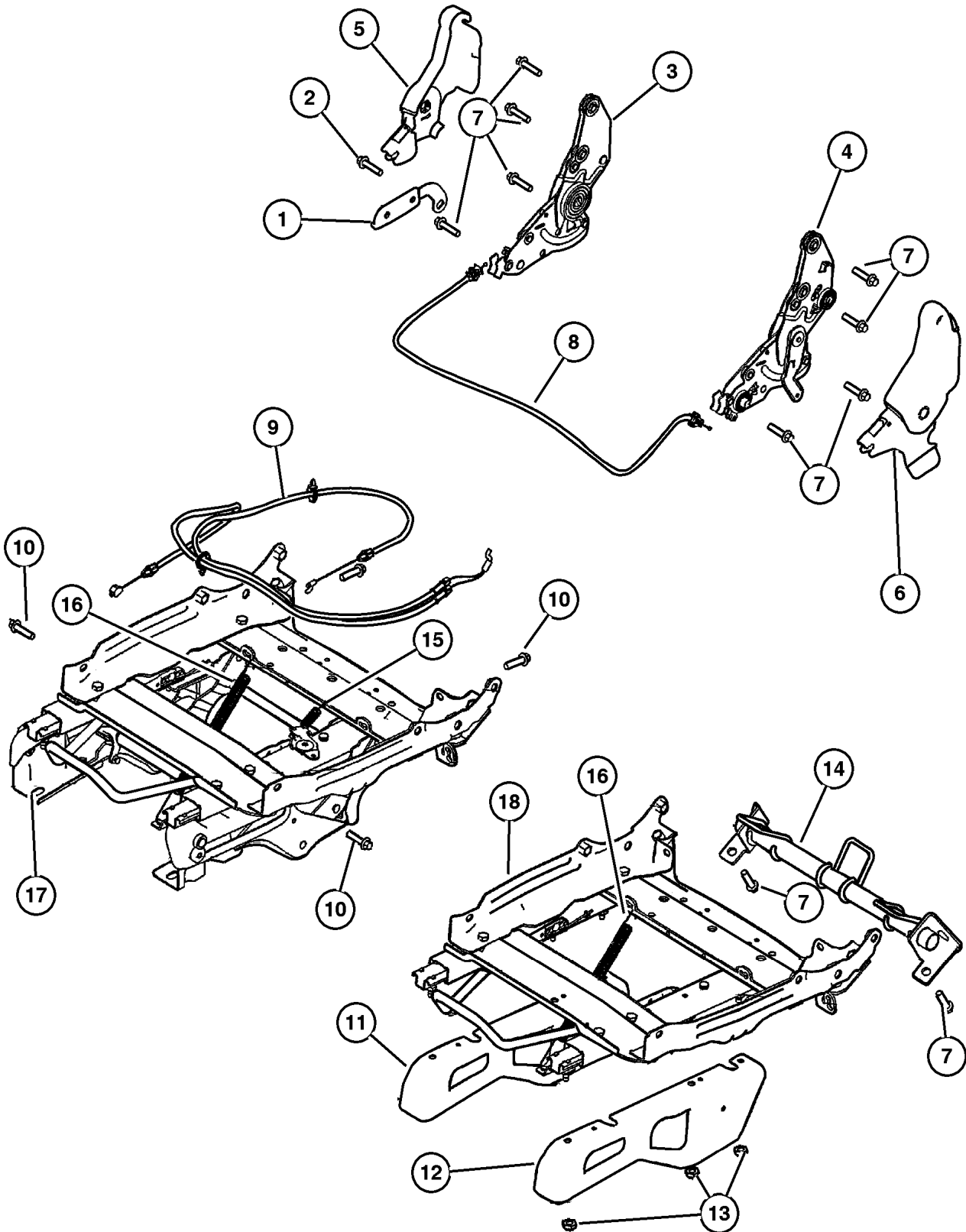
ITEM	PART NUMBER	QTY	LINE	SERIES	BODY	ENGINE	TRANS	TRIM	DESCRIPTION
	#5093 585AA	1	J					A5	Fixed Seat, Left,Outboard
	#5093 581AA	1	J					P5	Export, Easy Entry, Left,Outboard
		1	U					P5	Export, Easy Entry, Left,Outboard
	#5093 585AA	1	J					P5	Fixed Seat, Left,Outboard
	#5093 579AA	1	U					S5	Right,Inboard
		1	J					S5	Right,Inboard
	#5093 581AA	1	J					S5	Export, Easy Entry, Left,Outboard
		1	U					S5	Export, Easy Entry, Left,Outboard
	#5093 585AA	1	J					S5	Fixed Seat, Left,Outboard
	#5093 579AA	1	J					A5	Right,Inboard
		1	J					H6	Right,Inboard
	#5093 581AA	1	U					H6	Export, Easy Entry, Left,Outboard
	#5093 585AA	1	J					H6	Fixed Seat, Left,Outboard
	#5093 581AA	1	J					H6	Export, Easy Entry, Left,Outboard
	#5093 579AA	1	U					H6	Right,Inboard
		1	J					P5	Right,Inboard
		1	U					P5	Right,Inboard
5									COVER, Recliner
	#5093 591AA	1	J					A5	Left,Outboard
	#5093 588AA	1	U					P5	Right,Outboard
	#5093 591AA	1	U					S5	Left,Outboard
		1	J					S5	Left,Outboard
	#5093 588AA	1	U					S5	Right,Outboard
		1	J					S5	Right,Outboard
		1	J					A5	Right,Outboard
		1	J					H6	Right,Outboard
		1	U					H6	Right,Outboard
	#5093 591AA	1	U					H6	Left,Outboard
		1	J					H6	Left,Outboard
		1	J					P5	Left,Outboard
		1	U					P5	Left,Outboard
	#5093 588AA	1	J					P5	Right,Outboard
6									COVER, Recliner
	#5093 590AA	1	J					A5	Left,Inboard
		1	U					P5	Left,Inboard
		1	U					S5	Left,Inboard
	#5093 589AA	1	J					S5	Right,Inboard
		1	U					S5	Right,Inboard
	#5093 590AA	1	J					S5	Left,Inboard
	#5093 589AA	1	J					A5	Right,Inboard
	#5093 590AA	1	U					H6	Left,Inboard

### JEEP WRANGLER (TJ)

SERIES	LINE	BODY	ENGINE	TRANSMISSION
H = Sport	J = Wrangler 4WD	77 = 93.4 WB	ED1, ED0 = 2.4L DOHC	DGG, DGD = 32RH 3 Spd Auto
L = SE	U = Wrangler 4WD (RHD)		ERH = 4.0L Power Tech	DDD = 5 Speed HD Manual
M = X				DG0 = Auto. Trans.
P = Sahara				DBB = Manual Trans.
S = Rubicon				DDK = 5 Speed Manual

AR = Use as required - = Non illustrated part # = New this model year

September 29, 2003



**Seat Assemblies, Adjusters, Recliners**  
**Figure ITJ-810**

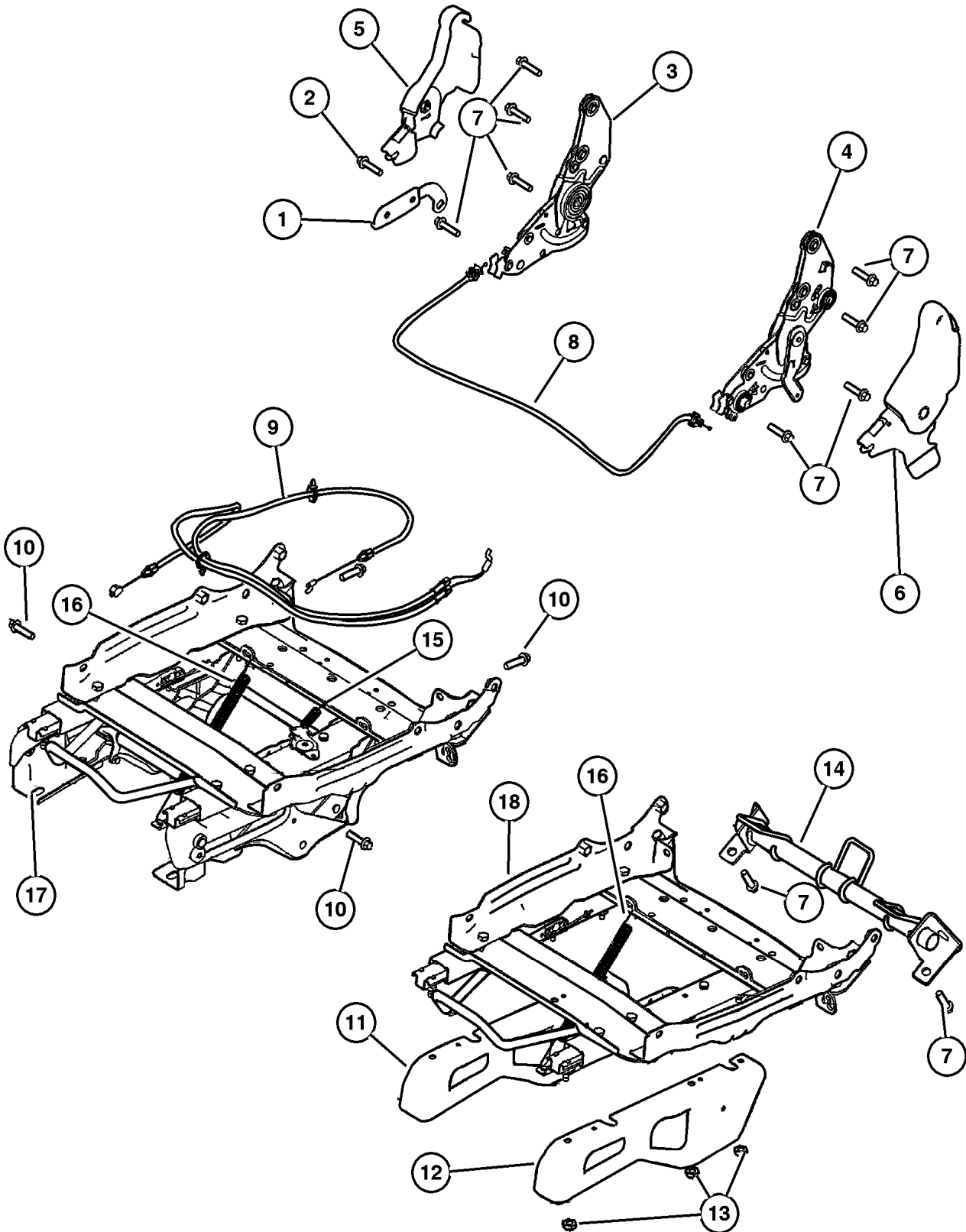
ITEM	PART NUMBER	QTY	LINE	SERIES	BODY	ENGINE	TRANS	TRIM	DESCRIPTION
		1	J					H6	Left, Inboard
	#5093 589AA	1	U					H6	Right, Inboard
		1	J					H6	Right, Inboard
		1	J					P5	Right, Inboard
		1	U					P5	Right, Inboard
	#5093 590AA	1	J					P5	Left, Inboard
7									BOLT, Recliner
	#5093 647AA	8	J					A5	
		8	J					H6	
		8	U					H6	
		8	U					P5	
		8	J					P5	
		8	U					S5	
		8	J					S5	
8									CABLE, Recliner
	#5093 676AA	1	J					A5	
		2	U					H6	
		2	J					H6	
		2	U					P5	
		2	J					P5	
		2	J					S5	
		2	U					S5	
9									CABLE, Seat Adjuster, SEE NOTE
	#5093 677AA	1	J					A5	Slide Only
		1	J					S5	Slide Only
		1	U					S5	Slide Only
	#5093 678AA	1	J					S5	Dump & Slide
		1	U					S5	Dump & Slide
	#5093 677AA	1	J					H6	Slide Only
		1	U					H6	Slide Only
	#5093 678AA	1	J					H6	Dump & Slide
		1	U					H6	Dump & Slide
	#5093 677AA	1	J					P5	Slide Only
		1	U					P5	Slide Only
	#5093 678AA	1	U					P5	Dump & Slide
		1	U					P5	Dump & Slide
		1	J					P5	Dump & Slide
10									BOLT, Recliner to Seat Back, To Cushion
	4720 768	8	J					H6	
		8	U					H6	
		8	J					P5	

**JEEP WRANGLER (TJ)**

<b>SERIES</b>	<b>LINE</b>	<b>BODY</b>	<b>ENGINE</b>	<b>TRANSMISSION</b>
H = Sport	J = Wrangler 4WD	77 = 93.4 WB	ED1, ED0 = 2.4L DOHC	DGG, DGD = 32RH 3 Spd Auto
L = SE	U = Wrangler 4WD (RHD)		ERH = 4.0L Power Tech	DDD = 5 Speed HD Manual
M = X				DG0 = Auto. Trans.
P = Sahara				DBB = Manual Trans.
S = Rubicon				DDK = 5 Speed Manual

AR = Use as required - = Non illustrated part # = New this model year

September 29, 2003



**Seat Assemblies, Adjusters, Recliners**  
**Figure ITJ-810**

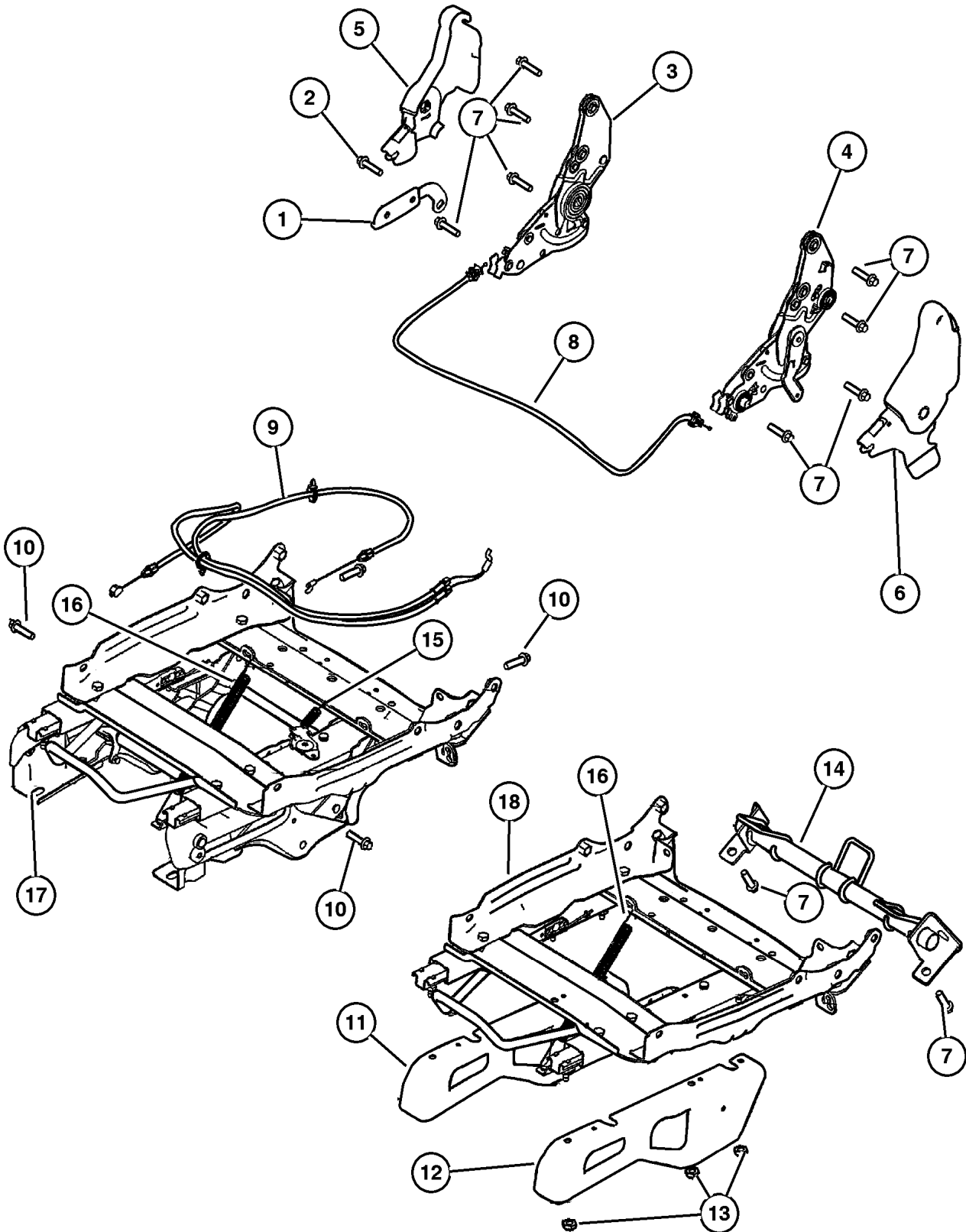
ITEM	PART NUMBER	QTY	LINE	SERIES	BODY	ENGINE	TRANS	TRIM	DESCRIPTION
		8	U					P5	
		8	U					S5	
		8	J					S5	
11	#5093 655AA	1	J					A5	RISER, Seat Left,Outboard
		1	J					H6	Left,Outboard
		1	J					P5	Left,Outboard
		1	J					S5	Left,Outboard
12	#5093 654AA	1	J					A5	RISER, Seat Left,Inboard
		1	J					H6	Left,Inboard
		1	J					P5	Left,Inboard
		1	J					S5	Left,Inboard
13	5019 267AA	8	J						NUT, Hex
		8	J					A5	
		8	J					H6	
		8	U					H6	
		8	J					P5	
		8	U					P5	
		8	U					S5	
		8	J					S5	
14	#5093 663AA	1	J					H6	BRACKET, Child Tether Anchor
15	#5093 679AA	1	J					A5	SPRING, Seat Lever Return, Short
		2	U					H6	
		2	J					H6	
		2	U					P5	
		2	J					P5	
		2	U					S5	
		2	J					S5	
16	#5093 680AA	2	U						SPRING, Seat Release Lever, Long
		2	J					H6	
		2	J					H6	
		2	J					P5	
		2	U					P5	
		2	U					S5	
		2	J					S5	
17	#5093 674AA	1	J						ADJUSTER, Manual Seat, Includes Risers
		1	J					H6	Export, Right
		1	J					S5	Export, Right

**JEEP WRANGLER (TJ)**

SERIES	LINE	BODY	ENGINE	TRANSMISSION
H = Sport	J = Wrangler 4WD	77 = 93.4 WB	ED1, ED0 = 2.4L DOHC	DGG, DGD = 32RH 3 Spd Auto
L = SE	U = Wrangler 4WD (RHD)		ERH = 4.0L Power Tech	DDD = 5 Speed HD Manual
M = X				DG0 = Auto. Trans.
P = Sahara				DBB = Manual Trans.
S = Rubicon				DDK = 5 Speed Manual

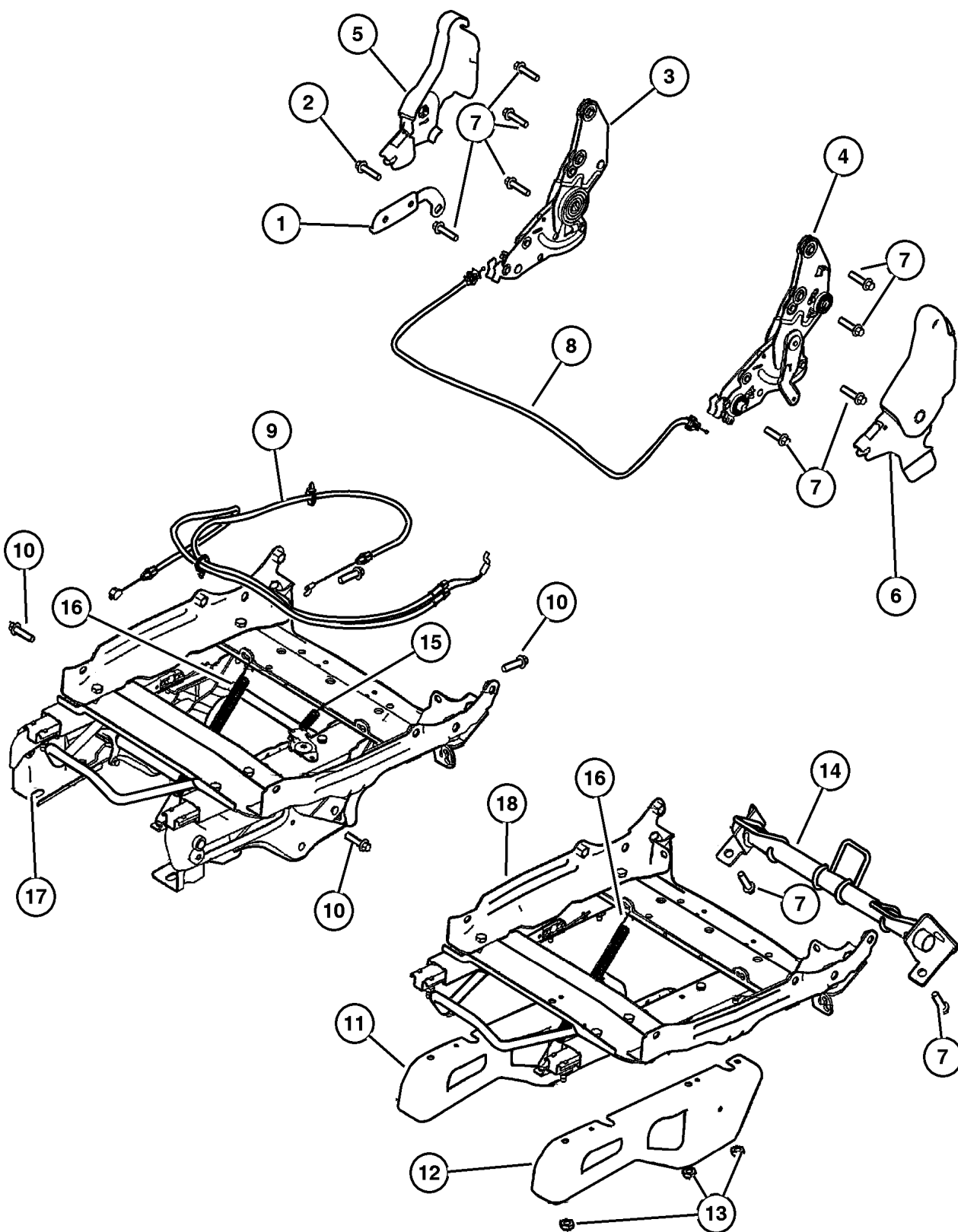
AR = Use as required - = Non illustrated part # = New this model year

September 29, 2003



### Seat Assemblies, Adjusters, Recliners Figure ITJ-810

ITEM	PART NUMBER	QTY	LINE	SERIES	BODY	ENGINE	TRANS	TRIM	DESCRIPTION
	#5093 664AA	1	J					H6	Domestic, Right
	#5093 674AA	1	U					H6	Export, Right
	#5104 691AA	1	U					P5	Postal Vehicle, Left
	#5093 664AA	1	J					P5	Domestic, Right
	#5093 674AA	1	U					P5	Export, Right
		1	J					P5	Export, Right
	#5093 664AA	1	J					S5	Domestic, Right
	#5093 674AA	1	U					S5	Export, Right
18									ADJUSTER, Manual Seat
	#5093 675AA	1	U					H6	Export, Left
		1	J					H6	Export, Left
	#5093 665AA	1	J					H6	Domestic, Left
		1	J					P5	Domestic, Left
	#5093 675AA	1	U					P5	Export, Left
		1	J					P5	Export, Left
	#5093 665AA	1	J					S5	Domestic, Left
	#5093 675AA	1	J					S5	Export, Left
		1	U					S5	Export, Left
-19	J400 6832	1							BOLT, Pan Head, .437-20x1.375, Driver seat to Floor Pan



**JEEP WRANGLER (TJ)**

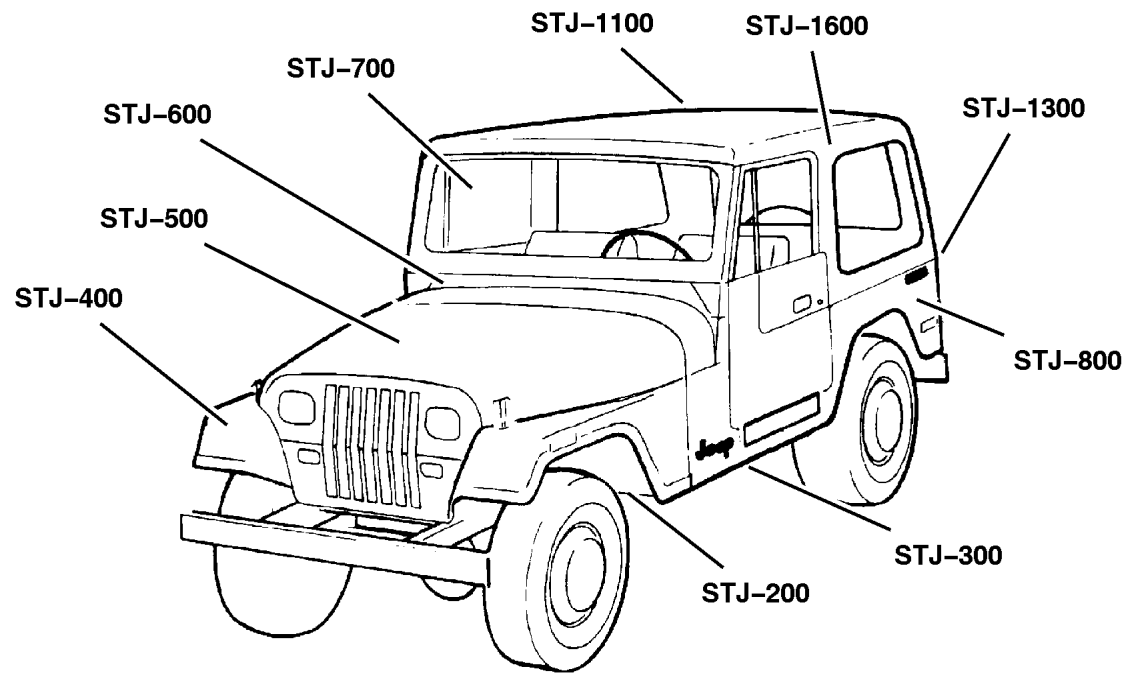
SERIES	LINE	BODY	ENGINE	TRANSMISSION
H = Sport	J = Wrangler 4WD	77 = 93.4 WB	ED1, ED0 = 2.4L DOHC	DGG, DGD = 32RH 3 Spd Auto
L = SE	U = Wrangler 4WD (RHD)		ERH = 4.0L Power Tech	DDD = 5 Speed HD Manual
M = X				DG0 = Auto. Trans.
P = Sahara				DBB = Manual Trans.
S = Rubicon				DDK = 5 Speed Manual

AR = Use as required - = Non illustrated part # = New this model year

September 29, 2003

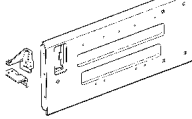
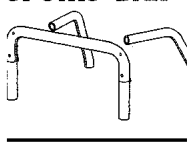
# Group – STJ

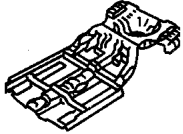

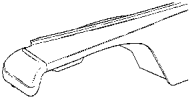

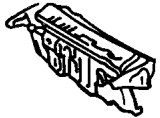

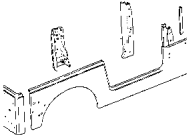
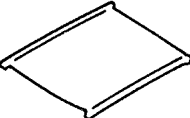
## Body Sheet Metal Except Doors



# Group – STJ

## Body Sheet Metal Except Doors

<p><b>STJ-1300</b> Tailgate</p> 	<p><b>STJ-1600</b> Luggage Rack</p> 		
---	---	--	--

<p><b>STJ-200</b> Floor Pans</p> 	<p><b>STJ-300</b> Plugs</p> 	<p><b>STJ-400</b> Front Fenders</p> 	<p><b>STJ-500</b> Hood and Hood Release</p> 
<p><b>STJ-600</b> Cowl and Dash Panel</p> 	<p><b>STJ-700</b> Glass and Rear View Mirror</p> 	<p><b>STJ-800</b> Aperture Panel</p> 	<p><b>STJ-1100</b> Roof - Hard &amp; Soft Top</p> 

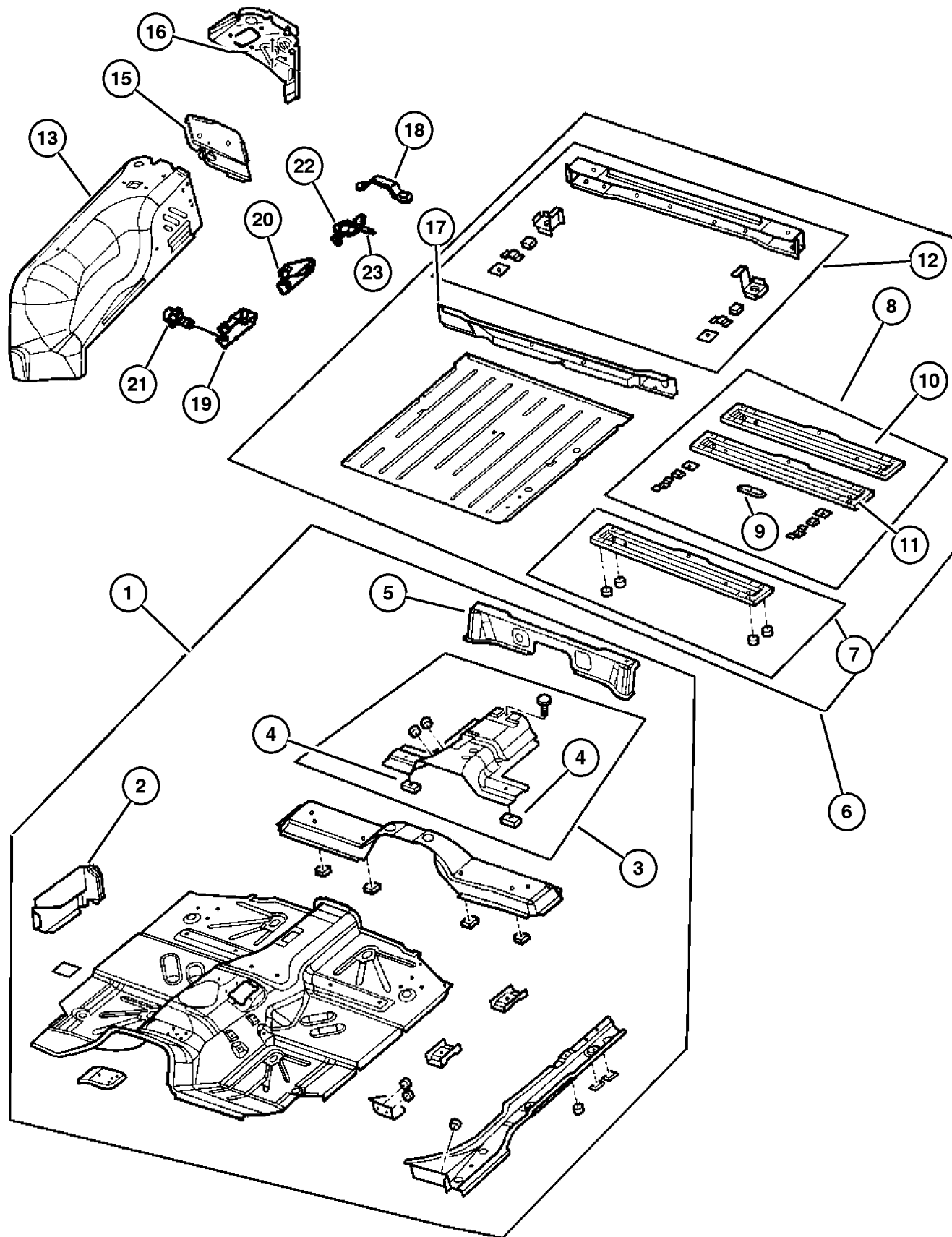


---

## GROUP STJ - Body Sheet Metal Except Doors

Illustration Title	Group-Fig. No.
<b>Floor Pans</b>	
Pan, Floor Front And Rear .....	Fig. STJ-210
<b>Plugs</b>	
Plugs .....	Fig. STJ-310
<b>Front Fenders</b>	
Fender And Flare, Front .....	Fig. STJ-410
<b>Hood and Hood Release</b>	
Hood, Lock, Catches .....	Fig. STJ-510
<b>Cowl and Dash Panel</b>	
Panels, Cowl And Dash .....	Fig. STJ-610
<b>Glass and Rear View Mirror</b>	
Glass, Windshield, Backlite, Quarter Windshield Frame, Hinges .....	Fig. STJ-710
<b>Aperture Panel</b>	
Panels, Body Side .....	Fig. STJ-810
<b>Roof - Hard &amp; Soft Top</b>	
Soft Top And Windows .....	Fig. STJ-1110
Top Enclosure, Hard .....	Fig. STJ-1120
<b>Tailgate</b>	
Tailgate .....	Fig. STJ-1310
Add-a-Trunk .....	Fig. STJ-1320
<b>Luggage Rack</b>	
Sport Bar Wrangler .....	Fig. STJ-1610

**Pan, Floor Front And Rear  
Figure STJ-210**



ITEM	PART NUMBER	QTY	LINE	SERIES	BODY	ENGINE	TRANS	TRIM	DESCRIPTION
1	#55177 254AB	1							PAN, Floor
2									PANEL, Cowl Side
	55174 828AC	1							Right
	55174 829AB	1							Left
3	55175 209AB	1							REINFORCEMENT, Park Brake
4	6033 150	2							Mounting NUT PLATE, .25-20
5	55174 809AB	1							RISER, Seat
6	#55174 811AE	1							PAN, Floor
7	#55176 240AB	1							CROSSMEMBER, Seat Belt Mount
8	#55176 241AB	1							CROSSMEMBER, Underbody
9	4490 835AB	1							REINFORCEMENT, Shoulder Belt
10	#55395 069AA	1							CROSSMEMBER, Rear Floor
11	#55176 237AB	1							CROSSMEMBER, Rear Floor
12	55175 788AD	1							SILL, Rear
13									PANEL, Wheelhouse
	#5066 166AB	1							Right
	#5066 167AB	1							Left
-14	4490 111	1							TAPPING PLATE
15									PANEL, Rear Closure
	55176 527AC	1							Left
	#55176 526AD	1							Right
16									REINFORCEMENT, Wheelhouse
	55175 064AB	1							Right
	55175 065AB	1							Left
17	#55175 790AC	1							PANEL, Rear Body Closing
18	5501 3668	8							CHECK, Front Door
19	#55395 011AA	2							STRIKER, Rear Seat, Front
20	#55395 010AA	2							STRIKER, Rear Seat, Rear
21	#6507 346AA	8							SCREW, Pan Head
22	5066 347AA	2							TETHER PACKAGE, Child Seat
23	6506 481AA	2							BOLT, Hex Head, M8x1.25x30, Tether to Rear Floor Pan

**JEEP WRANGLER (TJ)**

SERIES	LINE	BODY	ENGINE	TRANSMISSION
H = Sport	J = Wrangler 4WD	77 = 93.4 WB	ED1, ED0 = 2.4L DOHC	DGG, DGD = 32RH 3 Spd Auto
L = SE	U = Wrangler 4WD (RHD)		ERH = 4.0L Power Tech	DDD = 5 Speed HD Manual
M = X				DG0 = Auto. Trans.
P = Sahara				DBB = Manual Trans.
S = Rubicon				DDK = 5 Speed Manual

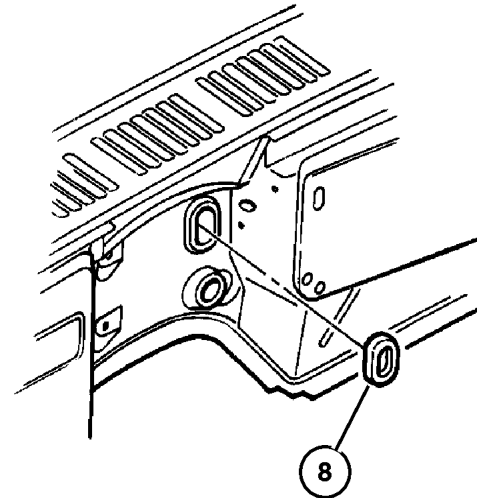
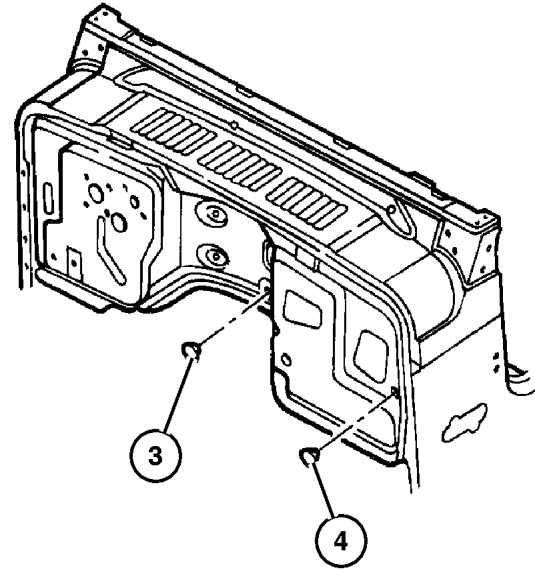
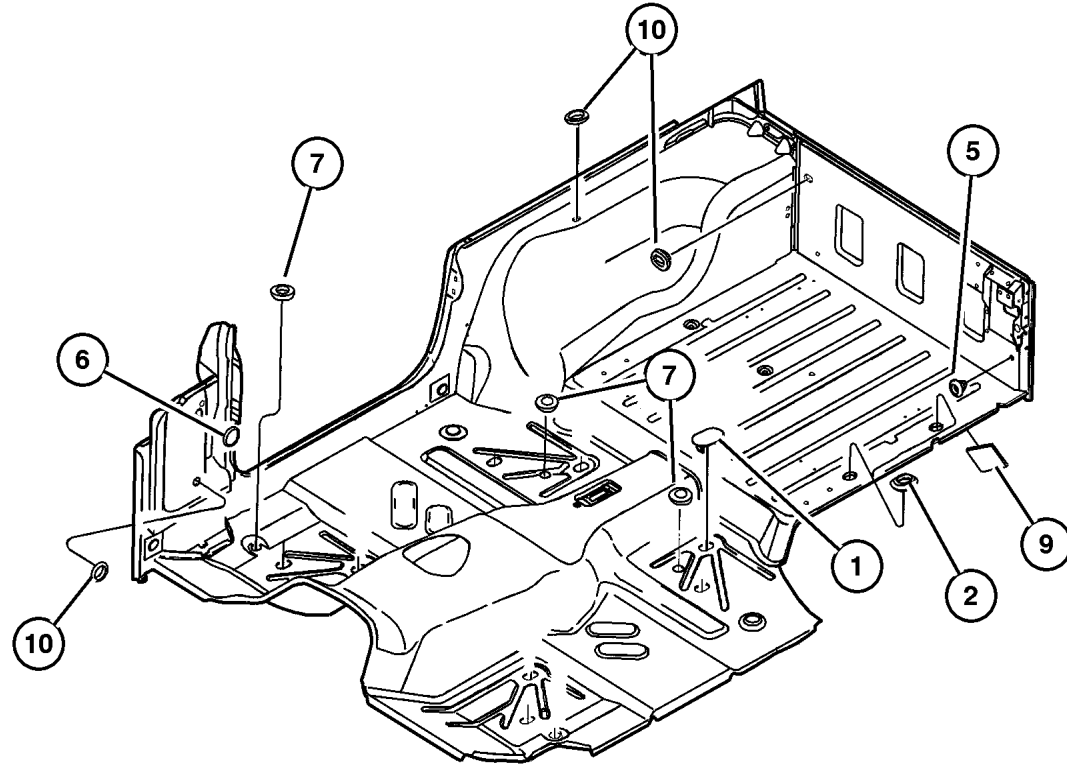
AR = Use as required - = Non illustrated part # = New this model year

September 29, 2003



## Plugs Figure STJ-310

ITEM	PART NUMBER	QTY	LINE	SERIES	BODY	ENGINE	TRANS	TRIM	DESCRIPTION
1	4646 971	8							PLUG, Floor Pan
2	6004 507	2							PLUG, Body, 25.4mm x 38.1mm, Rubber, Rear Floor Pan
3	2424 864	1							PLUG, Body, 1.75 Diameter, Shift Cable Hole
4	55257 380AB	AR							PLUG
5	4373 728	1	J						PLUG
6	55176 729AA	2							PLUG, Cowl Side
7	55177 482AA	4							PLUG, Floor Pan
8									PLUG, Body, 4.0mm X 76.4mm, (NOT SERVICED) (Not Serviced)
9	4278 178	1							TAPE, Hole Cover, 50x50x1 mm
10	1774 076	2							PLUG



### JEEP WRANGLER (TJ)

SERIES  
H = Sport  
L = SE  
M = X  
P = Sahara  
S = Rubicon

LINE  
J = Wrangler 4WD  
U = Wrangler 4WD (RHD)

BODY  
77 = 93.4 WB

ENGINE  
ED1, ED0 = 2.4L DOHC  
ERH = 4.0L Power Tech

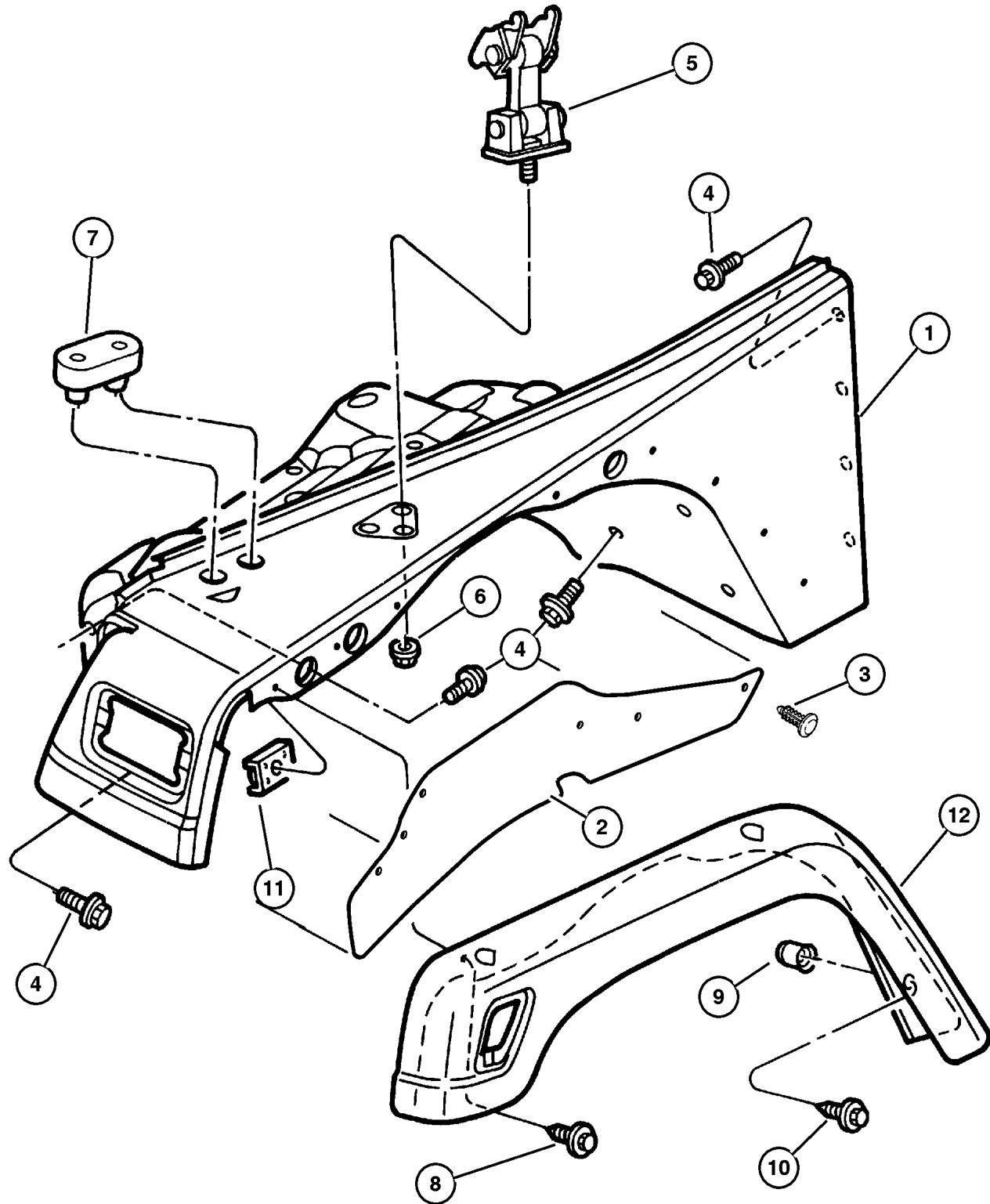
TRANSMISSION  
DGG, DGD = 32RH 3 Spd Auto  
DDD = 5 Speed HD Manual  
DG0 = Auto. Trans.  
DBB = Manual Trans.  
DDK = 5 Speed Manual

AR = Use as required - = Non illustrated part # = New this model year

September 29, 2003

Fender And Flare, Front  
Figure STJ-410

ITEM	PART NUMBER	QTY	LINE	SERIES	BODY	ENGINE	TRANS	TRIM	DESCRIPTION
1									PANEL, Fender
	#5003 950AF	1							Right
	#5003 951AF	1							Left
2	5517 4658	2							SHIELD, Splash, Front
3	6030 441	12							PIN, Retainer
4	6100 583	8							BOLT AND CONED WASHER, Hex Head, M8x25x20
5	55176 636AD	2							CATCH, Hood
6	3420 1416	2							NUT, Hex Flange, M8x1.25
7	J400 7541	2							BUMPER, Fender, Oblong Head, Hood Cushion
8									SCREW AND WASHER, [.190-16x.750], (NOT SERVICED) (Not Serviced)
9	6504 601	6							NUT, Rivet Round, M5x0.80x11.09
10									SCREW AND WASHER, M5x.080x20.00, (NOT SERVICED) (Not Serviced)
11	J400 4868	14							NUT, Plastic
12									EXTENSION, Fender [K30], Black, Textured, Right
	5525 4918	1							[K5K], Left
	QP95 AJCAB	1							[K5U], Left
	QP95 WU7AB	1							[K5U], Right
	QP94 WU7AB	1							[K5X], Left
	QP95 DX9AB	1							[K5X], Right
	QP94 DX9AB	1							[K30], Black, Textured, Left
	5525 4919	1							[K5B], Right
	QP94 WBTAB	1							[K5B], Left
	QP95 WBTAB	1							[K5D], Right
	QP94 DX8AB	1							[K5D], Left
	QP95 DX8AB	1							[K5E], Right
	QP94 XGRAB	1							[K5E], Left
	QP95 XGRAB	1							[K5K], Right
	QP94 AJCAB	1							TAPE, Access Hole, Fender to Apron
-13	55176 737AB	2							



JEEP WRANGLER (TJ)

SERIES  
H = Sport  
L = SE  
M = X  
P = Sahara  
S = Rubicon

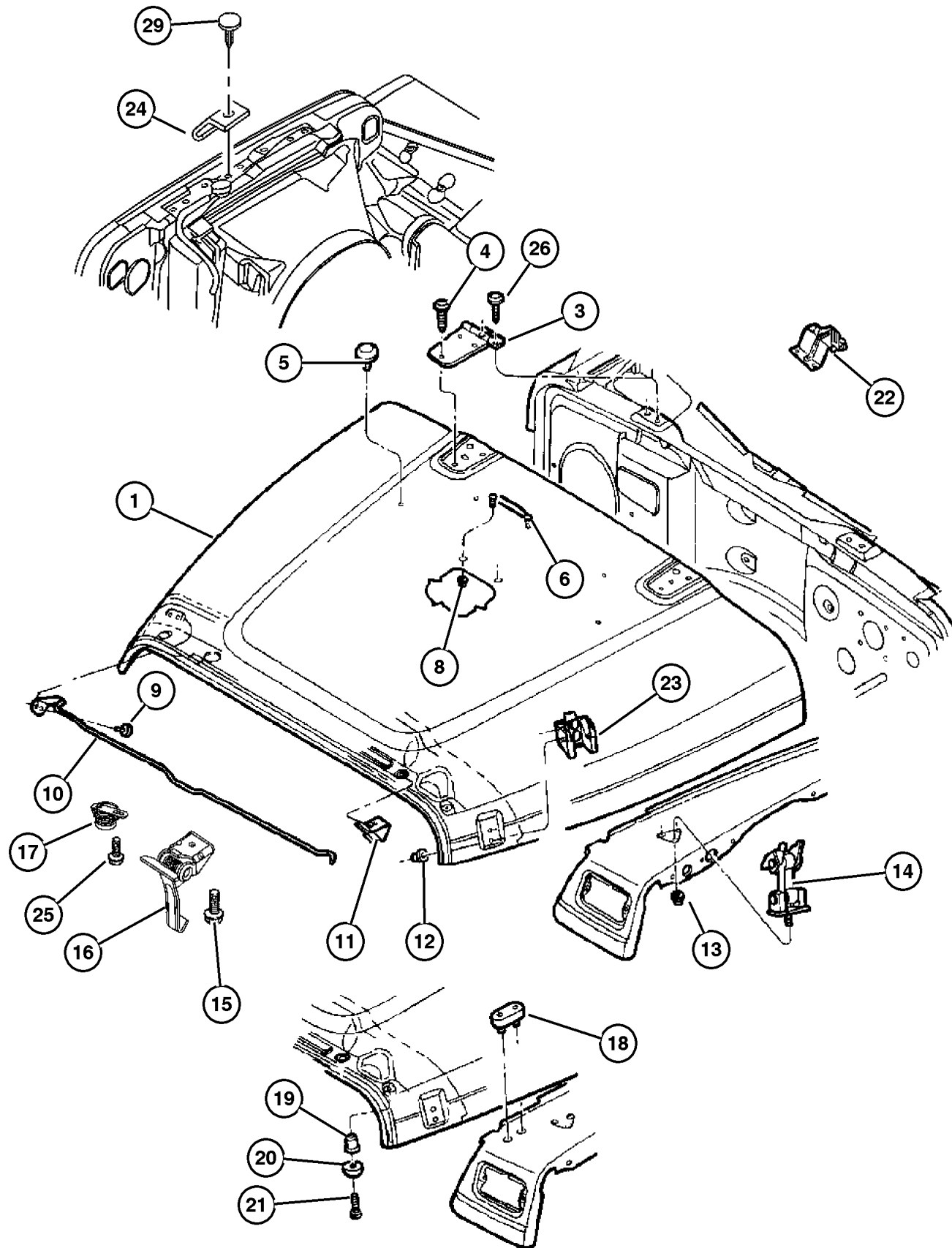
LINE  
J = Wrangler 4WD  
U = Wrangler 4WD (RHD)

BODY  
77 = 93.4 WB

ENGINE  
ED1, ED0 = 2.4L DOHC  
ERH = 4.0L Power Tech

TRANSMISSION  
DGG, DGD = 32RH 3 Spd Auto  
DDD = 5 Speed HD Manual  
DGO = Auto. Trans.  
DBB = Manual Trans.  
DDK = 5 Speed Manual

## Hood, Lock, Catches Figure STJ-510



ITEM	PART NUMBER	QTY	LINE	SERIES	BODY	ENGINE	TRANS	TRIM	DESCRIPTION
1	5066 182AB	1							HOOD
-2	5517 6589	AR							SHIM
3	5507 5559	2							HINGE, Hood
4	6503 154	6							SCREW AND WASHER, Round Head, M8x1.25x20
5	55075 590AB	2							BUMPER, Hood
6	5517 6422	1							BRACKET, Windshield Hold Down
-7	6036 102AA	4							SCREW, .19-24.50
8	6502 028	2							NUT AND WASHER, Hex Nut-Coned Washer, M4 x 0.70
9	6034 980	2							SCREW, Pan Head, .19-24x.437
10	55176 635AF	1							ROD, Hood Prop
11	J400 7456	1							CLIP, Prop Rod
12	6504 030	4							NUT AND WASHER, Hex, M6x1
13	3420 1416	2							NUT, Hex Flange, M8x1.25
14	55176 636AD	2							CATCH, Hood
15									SCREW AND WASHER, M6x1.00x20.00, (NOT SERVICED) (Not Serviced)
16	55176 731AF	1							HOOK, Hood Safety Catch
17	55176 732AC	1							SPRING, Hood Pop Up
18	J400 7541	2							BUMPER, Fender, Oblong
19	J400 5237	2							NUT, Hex, .19-32x430, Well Type Hood Bumper Support
20	5517 6291	2							BUMPER, Steel Insert
21	6034 205	2							SCREW, Pan Head, .19-32x.625, Hood Bumper Support
22	5517 5096	2							REINFORCEMENT, Hood Hinge
23	55176 428AC	2							BRACKET, Hood Catch
24	5503 2768	1							SKID PLATE, Secondary Hood Catch
25									SCREW, .190-16x.500, (NOT SERVICED) (Not Serviced)
26	6035 627	4							SCREW AND WASHER, Truss Head, .312-18x1.12
-27	#55352 876AA	1							INSULATION, Hood
-28	6504 135	8							PIN, Push In, M6.3x15 LG, Attach Hood Insulation
29	6500 787	1							RIVET, M5x11.30

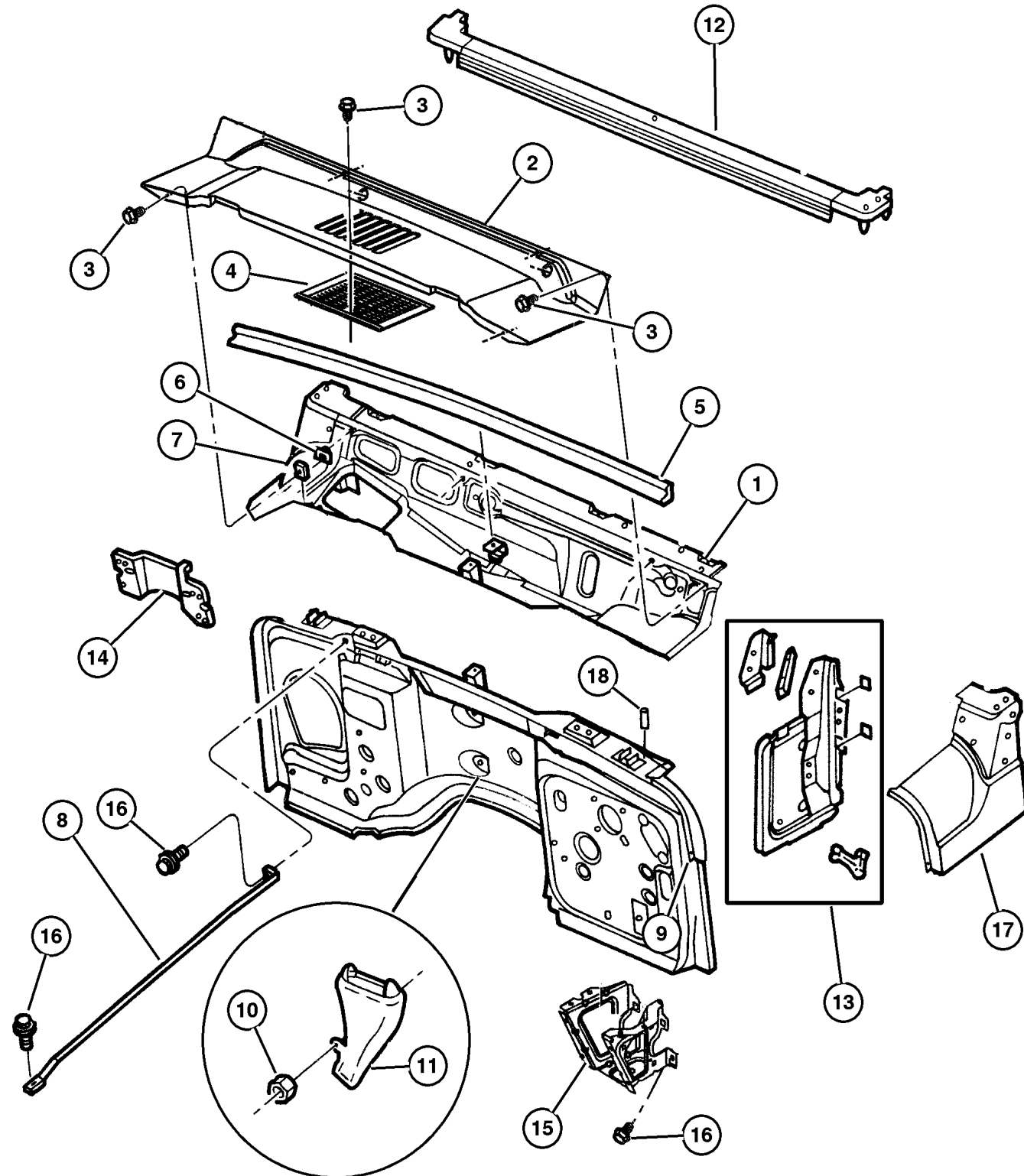
### JEEP WRANGLER (TJ)

SERIES	LINE	BODY	ENGINE	TRANSMISSION
H = Sport	J = Wrangler 4WD	77 = 93.4 WB	ED1, ED0 = 2.4L DOHC	DGG, DGD = 32RH 3 Spd Auto
L = SE	U = Wrangler 4WD (RHD)		ERH = 4.0L Power Tech	DDD = 5 Speed HD Manual
M = X				DG0 = Auto. Trans.
P = Sahara				DBB = Manual Trans.
S = Rubicon				DDK = 5 Speed Manual

AR = Use as required - = Non illustrated part # = New this model year

September 29, 2003

**Panels, Cowl And Dash  
Figure STJ-610**



ITEM	PART NUMBER	QTY	LINE	SERIES	BODY	ENGINE	TRANS	TRIM	DESCRIPTION
1									PANEL, Cowl
	#55174 624AG	1	J						
	#55174 625AG	1	U						
2									GRILLE, Cowl Panel
	55174 636AB	1	J						
	55174 637AC	1	U						
3									SCREW, [.164-15x1.21], (NOT SERVICED) (Not Serviced)
4	55037 422AC	1							SCREEN, Cowl
5	55174 640AC	1							WEATHERSTRIP, Hood to Cowl
6	6507 547AA	4							NUT, Snap In
7	0152 490	3							NUT, Spring, .16-18
8	55176 588AB	2							BRACKET, Dash Panel to Plenum
9									PANEL, Dash
	55174 644AF	1	J						Up to 8/15/02
	#55174 644AG	1	J						After 8/15/02
	55174 645AD	1	U						Up to 8/15/02
	#55174 645AE	1	U						After 8/15/02
10									NUT, Hex, M6x1.00, (NOT SERVICED) (Not Serviced)
11	5517 6555	1							DRAIN, Heater and A/C
12	#55395 032AA	1							WEATHERSTRIP, Windshield to Cowl
13									PANEL, Cowl Side
	#55176 092AB	1	J						Upper Right
		1	U						Upper Right
	#55176 093AB	1	J						Upper Left
		1	U						Upper Left
14									BRACKET, Module
	5517 6011	1	J						
	5517 6099	1	U						
15									REINFORCEMENT, Battery Tray
	55174 782AC	1							Right
	55174 783AC	1							Left
16	6100 583	6							BOLT AND CONED WASHER, Hex Head, M8x25x20
17									PANEL, Cowl Top, Serviced in Panel Body Side, (NOT SERVICED) (Not Serviced)
18	6504 649	4							CAP, Bolt Cover

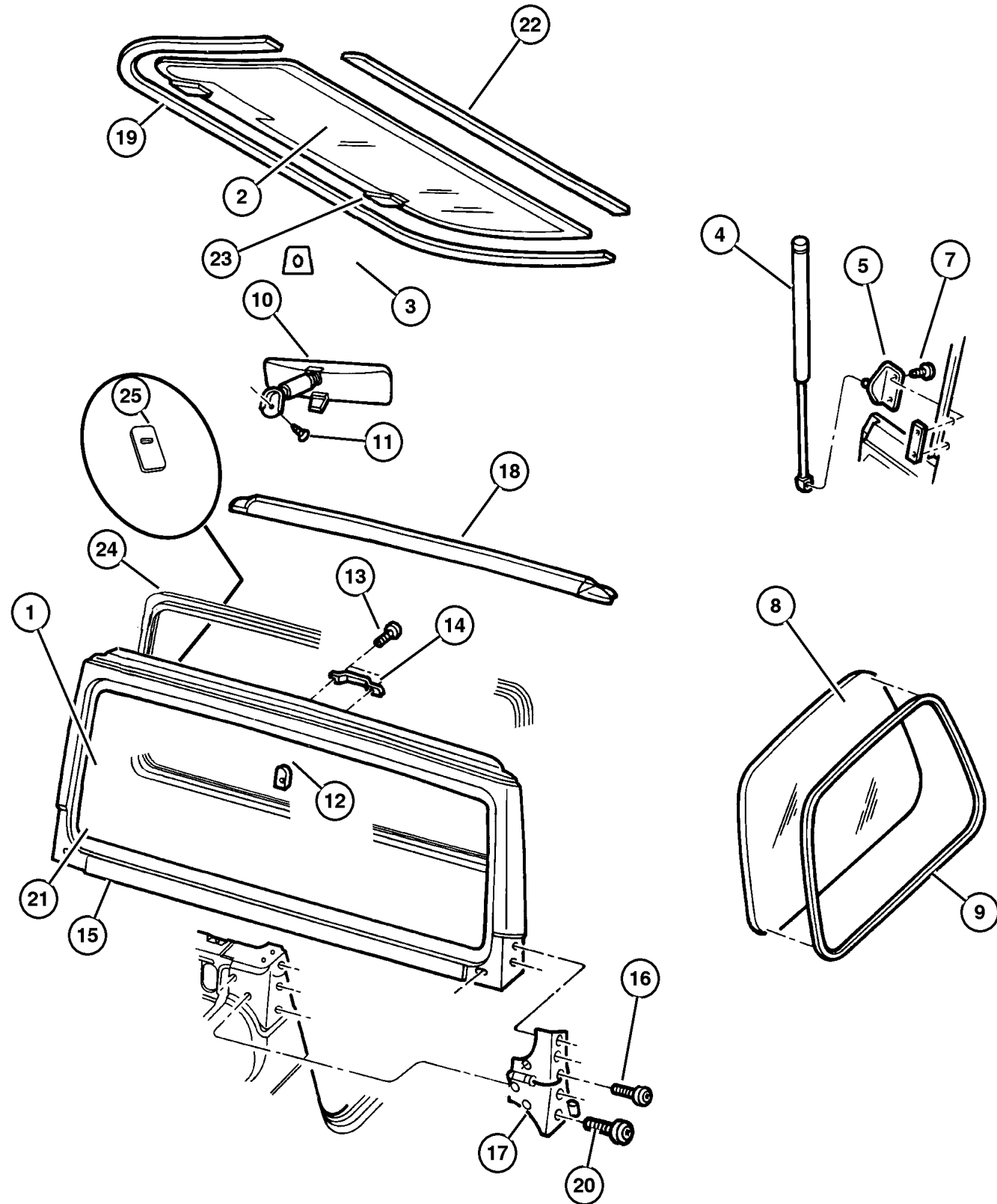
**JEEP WRANGLER (TJ)**

<b>SERIES</b>	<b>LINE</b>	<b>BODY</b>	<b>ENGINE</b>	<b>TRANSMISSION</b>
H = Sport	J = Wrangler 4WD	77 = 93.4 WB	ED1, ED0 = 2.4L DOHC	DGG, DGD = 32RH 3 Spd Auto
L = SE	U = Wrangler 4WD (RHD)		ERH = 4.0L Power Tech	DDD = 5 Speed HD Manual
M = X				DG0 = Auto. Trans.
P = Sahara				DBB = Manual Trans.
S = Rubicon				DDK = 5 Speed Manual

AR = Use as required - = Non illustrated part # = New this model year

September 29, 2003

**Glass, Windshield, Backlite, Quarter Windshield Frame, Hinges**  
**Figure STJ-710**



ITEM	PART NUMBER	QTY	LINE	SERIES	BODY	ENGINE	TRANS	TRIM	DESCRIPTION
1	4874 995AC	1							WINDSHIELD
2									BACKLITE
	#5096 041AA	1							Tinted
	#5096 143AA	1							Privacy
3									BRACKET, Ballstud
	4883 496AA	1							Right
	4883 497AA	1							Left
4	55076 310AB	2							PROP, Liftgate
5	55076 311AB	2							BALL STUD, Body Side
-6	J369 6930	2							STUD, Ball Stud Mounting
7									SCREW, M6x1.00x20.00, (NOT SERVICED) (Not Serviced)
8									GLASS, Quarter Window
	5517 6278	1							Tinted, Right
	5517 6279	1							Tinted, Left
	5517 6306	1							Privacy, Right
	5517 6307	1							Privacy, Left
9	5517 6577	2							MOLDING, Quarter Window
10									MIRROR, Inside Rear View
	55156 172AA	1							With Lamps
	#55156 197AA	1							
11									SCREW, Pan Head, .164-32x.460, (NOT SERVICED) (Not Serviced)
12	5507 6401	1							BUTTON, Rear View Mirror
13									SCREW, .190-24x.500, (NOT SERVICED) (Not Serviced)
14	#55177 497AA	1							FOOTMAN LOOP, Hold Down
15	#55395 014AA	1							PANEL, Windshield Frame
16	6035 898	2							SCREW AND WASHER, Truss
									Head, .312-18x1.12
17									HINGE, Door
	55075 702AF	1							Right
	55075 703AF	1							Left
18	#55395 101AA	1							SEAL, Header Opening
19	55175 041AF	1							WEATHERSEAL, LIFTGATE
20	6035 757	8							SCREW
21	55176 567AC	1							MOLDING, Windshield Reveal
22	5517 5042	1							WEATHERSTRIP, Backlite
23									HINGE, Liftglass
	5013 722AA	1							Right
	5013 723AA	1							Left
24	55176 430AD	1							MOLDING, Windshield Garnish

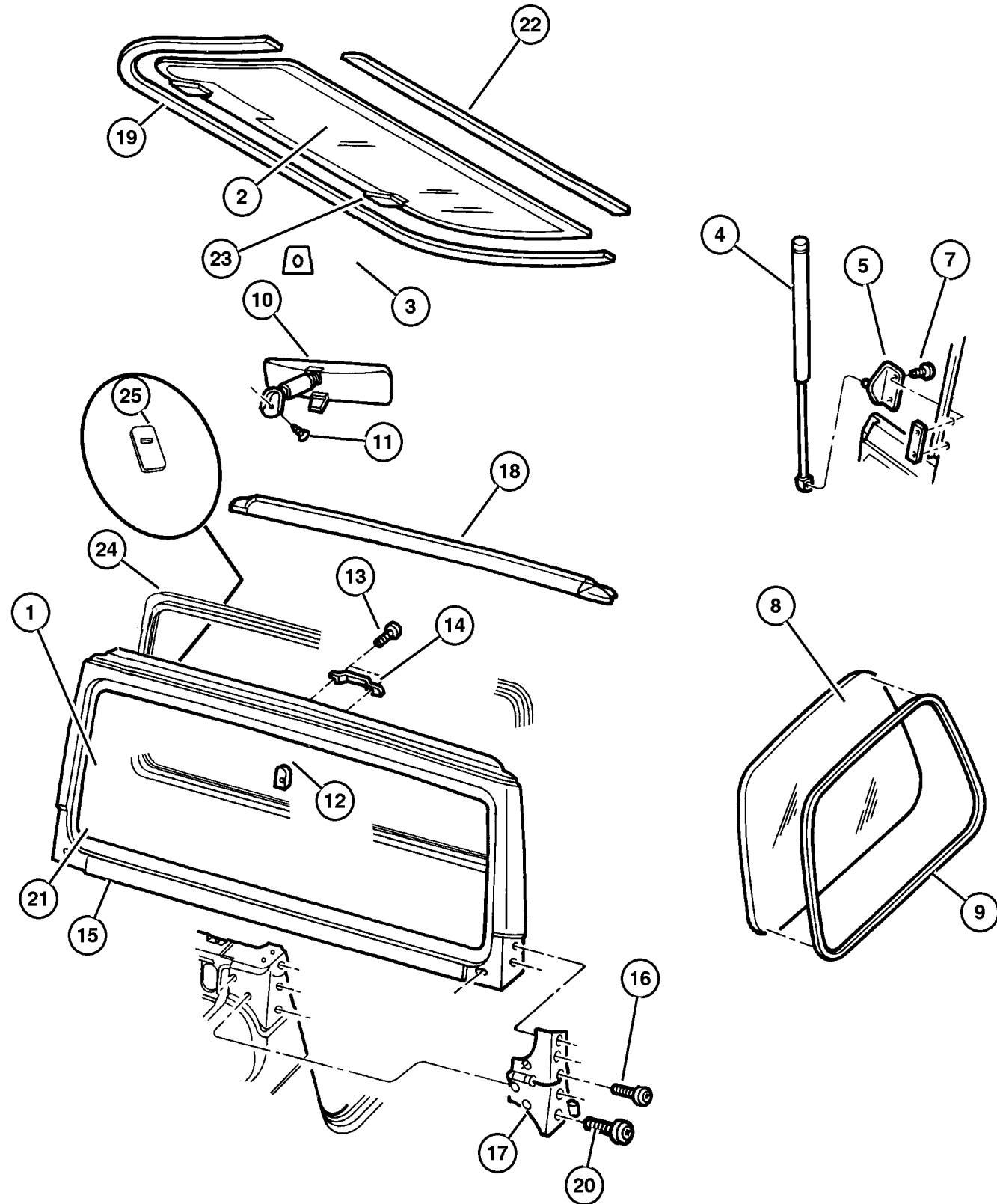
**JEEP WRANGLER (TJ)**

<b>SERIES</b>	<b>LINE</b>	<b>BODY</b>	<b>ENGINE</b>	<b>TRANSMISSION</b>
H = Sport	J = Wrangler 4WD	77 = 93.4 WB	ED1, ED0 = 2.4L DOHC	DGG, DGD = 32RH 3 Spd Auto
L = SE	U = Wrangler 4WD (RHD)		ERH = 4.0L Power Tech	DDD = 5 Speed HD Manual
M = X				DG0 = Auto. Trans.
P = Sahara				DBB = Manual Trans.
S = Rubicon				DDK = 5 Speed Manual

AR = Use as required - = Non illustrated part # = New this model year

September 29, 2003

**Glass, Windshield, Backlite, Quarter Windshield Frame, Hinges**  
**Figure STJ-710**



ITEM	PART NUMBER	QTY	LINE	SERIES	BODY	ENGINE	TRANS	TRIM	DESCRIPTION
25	5517 6421	2							TAPE, Anti Chip
-26	5500 9433	1							GASKET, Hinge To Glass, Backlite
-27	5500 9434	1							BUSHING, Hinge to Glass
-28	5500 9788	1							SEAL, Hinge To Glass
-29	J400 7384	1							NUT AND WASHER, Hex
-30	5501 9378	1							CAP, Hinge Cover
-31	5517 6464	1							GROMMET, Wiper Motor And Bracket

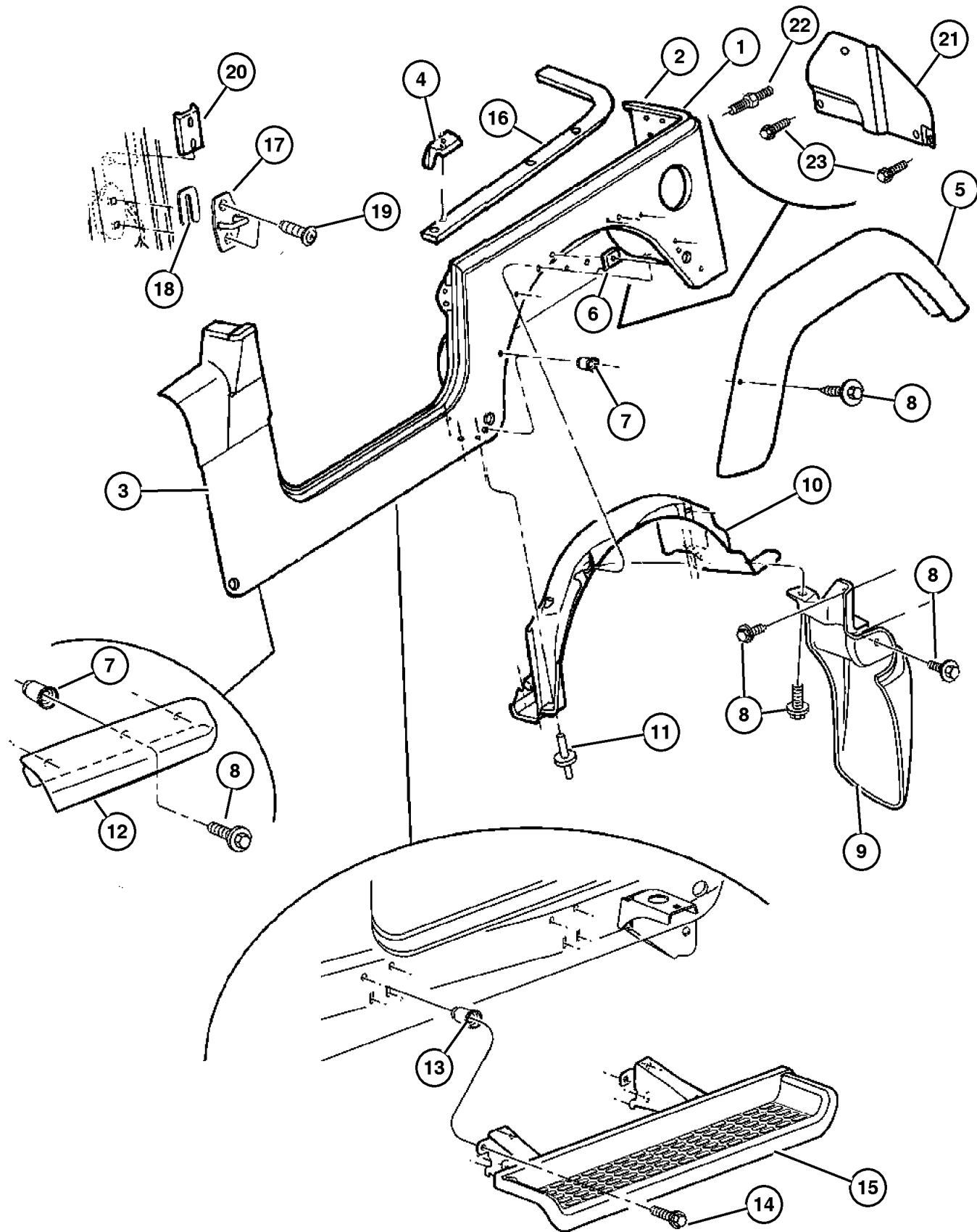
**JEEP WRANGLER (TJ)**

SERIES	LINE	BODY	ENGINE	TRANSMISSION
H = Sport	J = Wrangler 4WD	77 = 93.4 WB	ED1, ED0 = 2.4L DOHC	DGG, DGD = 32RH 3 Spd Auto
L = SE	U = Wrangler 4WD (RHD)		ERH = 4.0L Power Tech	DDD = 5 Speed HD Manual
M = X				DG0 = Auto. Trans.
P = Sahara				DBB = Manual Trans.
S = Rubicon				DDK = 5 Speed Manual

AR = Use as required - = Non illustrated part # = New this model year

September 29, 2003

**Panels, Body Side  
Figure STJ-810**



ITEM	PART NUMBER	QTY	LINE	SERIES	BODY	ENGINE	TRANS	TRIM	DESCRIPTION
Note: Sales Code [ABA] = Australia Equipment Group									
1									PANEL, Body Side
	#4874 196AF	1							Right
	#4874 197AF	1							Left
2									PANEL, Rear Corner
	5517 5664	1							Right
	5517 5665	1							Left
3	5517 5024	1							REINFORCEMENT, Side Panel
4									SEAL, Mucket
	55177 256AA	1							Right
	55177 257AA	1							Left
5									EXTENSION, Wheel House
	5517 5726	1							[K3], Right
	5DS75 DX8AC	1							[K5D], Left
	5DS75 DX9AC	1							[K5X], Left
	5DS75 WBTAC	1							[K5B], Left
	5DS75 WU7AC	1							[K5U], Left
	5DS75 XGRAC	1							[K5E], Left
	5517 5727	1							[K3], Left
	5DS74 AJCAC	1							[K5K], Right
	5DS74 DX8AC	1							[K5D], Right
	5DS74 DX9AC	1							[K5X], Right
	5DS74 WBTAC	1							[K5B], Right
	5DS74 WU7AC	1							[K5U], Right
	5DS74 XGRAC	1							[K5E], Right
	5DS75 AJCAC	1							[K5K], Left
6	J400 4868	10							NUT, Plastic
7	6504 601	6							NUT, Rivet Round, M5x0.80x11.09
8									SCREW AND WASHER, M5X.
									80X20.00, (NOT SERVICED) (Not Serviced)
9									SHIELD, Splash
	55155 696AA	1							Right
	55155 697AA	1							Left
	55156 038AB	1							[ABA], Australia, Right
	55156 039AB	1							[ABA], Australia, Left
10									SHIELD, Splash, Liner, Rear
									Wheelhouse
	55155 633AB	1							Left
	#55155 632AD	1							Right
11	6030 441	10							PIN, Retainer
12									EXTENSION, Fender

**JEEP WRANGLER (TJ)**

SERIES  
H = Sport  
L = SE  
M = X  
P = Sahara  
S = Rubicon

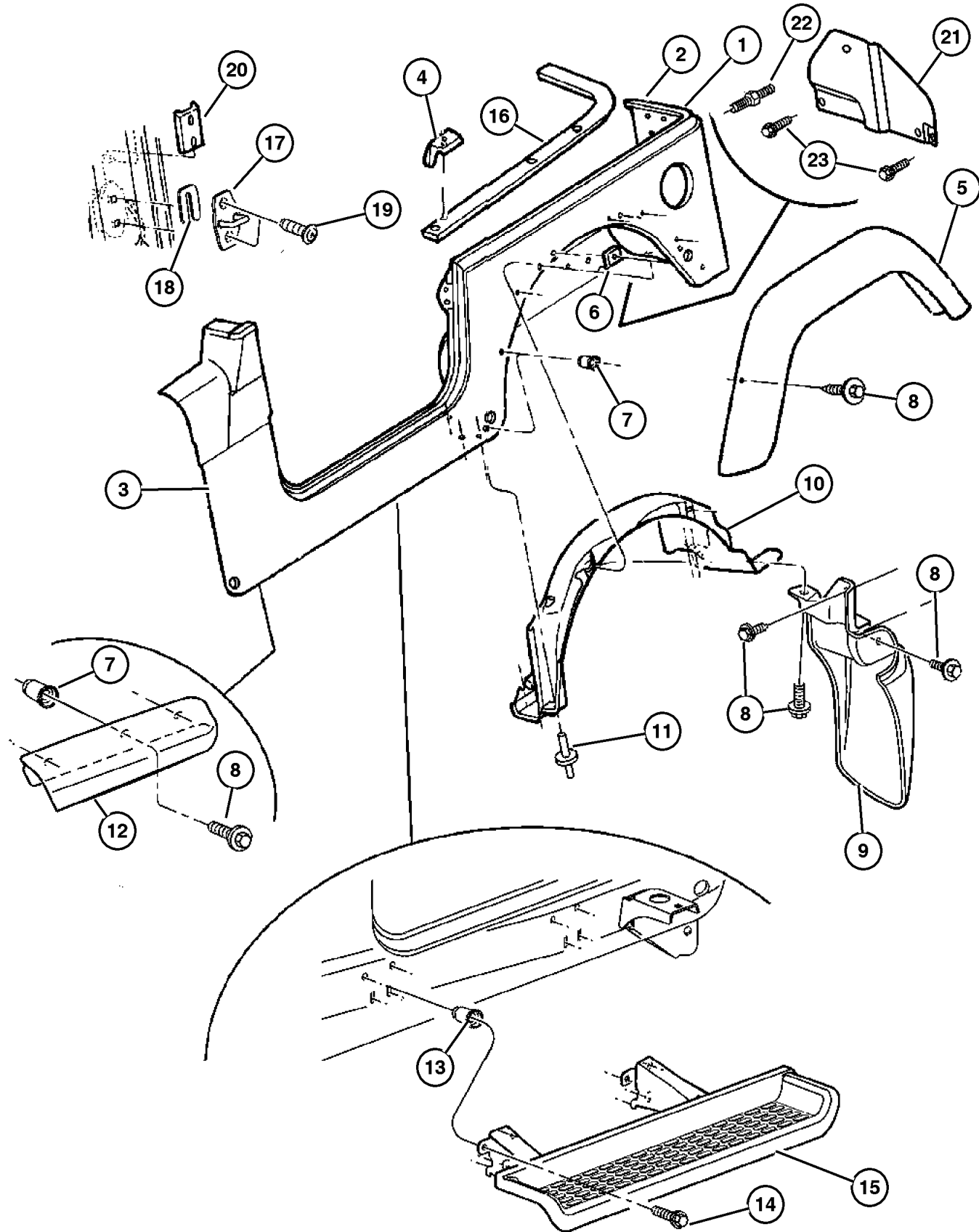
LINE  
J = Wrangler 4WD  
U = Wrangler 4WD (RHD)

BODY  
77 = 93.4 WB

ENGINE  
ED1, ED0 = 2.4L DOHC  
ERH = 4.0L Power Tech

TRANSMISSION  
DGG, DGD = 32RH 3 Spd Auto  
DDD = 5 Speed HD Manual  
DGO = Auto. Trans.  
DBB = Manual Trans.  
DDK = 5 Speed Manual

Panels, Body Side  
Figure STJ-810



ITEM	PART NUMBER	QTY	LINE	SERIES	BODY	ENGINE	TRANS	TRIM	DESCRIPTION
	5525 4928	1							[K3], Right
	5525 4929	1							[K3], Left
	5DV1 2DX9	1							[K5], Right
	5DV1 3DX9	1							[K5], Left
13	6504 397	8							NUT, M8-1.25
14	6501 648	8							SCREW, Hex Flange Head, M8x1.25x25.00
15									STEP PAD, Side Step Right
	55156 200AB	1							Left
	55156 201AB	1							RETAINER, Belt Rail Right
16	#55175 754AC	1							Left
	#55175 755AC	1							
17	4780 259	2							STRIKER, Door
18									SPACER, Door Latch Striker
	4520 289	AR							[2.0/2.5] Thick
	5507 5483	AR							
19	6503 120	4							SCREW AND WASHER, Button Head Torx, M8x1.25x39.50
20	4674 669	1							PLATE, Striker
21	#55395 030AA	1							SHIELD, Wheelhouse
22	#6507 536AA	1							STUD, M8x25
23	6503 543	2							BOLT AND CONED WASHER, Hex Head, M8x1.25x25

JEEP WRANGLER (TJ)

SERIES	LINE	BODY	ENGINE	TRANSMISSION
H = Sport	J = Wrangler 4WD	77 = 93.4 WB	ED1, ED0 = 2.4L DOHC	DGG, DGD = 32RH 3 Spd Auto
L = SE	U = Wrangler 4WD (RHD)		ERH = 4.0L Power Tech	DDD = 5 Speed HD Manual
M = X				DG0 = Auto. Trans.
P = Sahara				DBB = Manual Trans.
S = Rubicon				DDK = 5 Speed Manual

AR = Use as required - = Non illustrated part # = New this model year

September 29, 2003



## Soft Top And Windows Figure STJ-1110

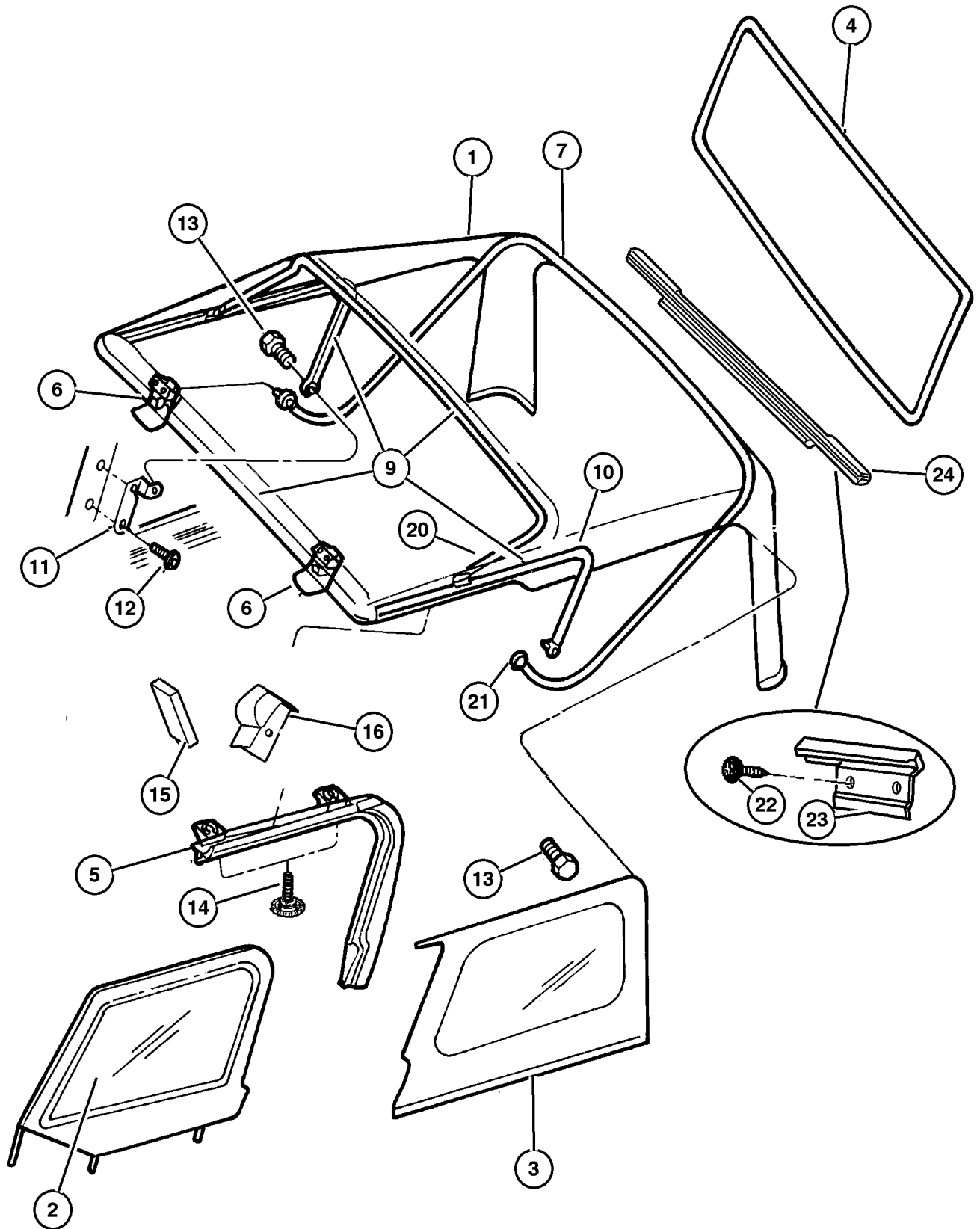
ITEM	PART NUMBER	QTY	LINE	SERIES	BODY	ENGINE	TRANS	TRIM	DESCRIPTION
Note: 2003 Soft Top contains handed zippers for right and left quarter windows. Tailgate window contains 2 zippers.									
1	#5JM59 AJ7AC	1							COVER, Soft Top [VJG], Green
	#5JM59 SX9AC	1							[VJX], Black
	#5JM59 ZJ8AC	1							[VJK], Khaki
2	#5JH11 SX9AA	1							WINDOW, Half Door Soft Top [VJX], Black, Left
	#5JH11 ZJ8AA	1							[VJK], Khaki, Left
	#5JH10 SX9AA	1							[VJX], Black, Right
	#5JH10 ZJ8AA	1							[VJK], Khaki, Right
3	#5JH08 SX9AA	1							WINDOW, Quarter Tinted, [VJX], Black, Right
	#5JH13 AJ7AB	1							Privacy, [VJG], Green, Left
	#5JH08 ZJ8AA	1							Tinted, [VJK], Khaki, Right
	#5JH09 SX9AA	1							Tinted, [VJX], Black, Left
	#5JH09 ZJ8AA	1							Tinted, [VJK], Khaki, Left
	#5JH12 SX9AA	1							Privacy, [VJX], Black, Right
	#5JH12 ZJ8AA	1							Privacy, [VJK], Khaki, Right
	#5JH12 AJ7AB	1							Privacy, [VJG], Green, Right
	#5JH13 SX9AA	1							Privacy, [VJX], Black, Left
	#5JH13 ZJ8AA	1							Privacy, [VJK], Khaki, Left
4	#5JH07 SX9AA	1							WINDOW, Tailgate Tinted, [VJX], Black
	#5JH07 ZJ8AA	1							Tinted, [VJK], Khaki
	#5JH14 AJ7AB	1							Privacy, [VJG], Green
	#5JH14 SX9AA	1							Privacy, [VJX], Black
	#5JH14 ZJ8AA	1							Privacy, [VJK], Khaki
5	55175 858AG	1							FRAME, Door Glass Right
	55175 859AG	1							Left
6	#55176 287AC	2							LATCH AND BASE, Folding Top
7	#55395 013AB	1							BOW, Folding Top, Number 3
-8	4778 470	1							SNAP KIT, Soft Top
9	4874 281	1							BOW, Folding Top, Number 1
10	5517 6206	2							BUMPER, Rubber
11	#55395 006AB	1							BRACKET, Soft Top Bow 1 & 3 Right
	#55395 007AB	1							Left
12	6503 259	4							SCREW, Tapping, M6x1x20
13	6036 311AA	4							SCREW, Shoulder
14	5517 6198	4							PIN, Release Lever

### JEEP WRANGLER (TJ)

SERIES	LINE	BODY	ENGINE	TRANSMISSION
H = Sport	J = Wrangler 4WD	77 = 93.4 WB	ED1, ED0 = 2.4L DOHC	DGG, DGD = 32RH 3 Spd Auto
L = SE	U = Wrangler 4WD (RHD)		ERH = 4.0L Power Tech	DDD = 5 Speed HD Manual
M = X				DG0 = Auto. Trans.
P = Sahara				DBB = Manual Trans.
S = Rubicon				DDK = 5 Speed Manual

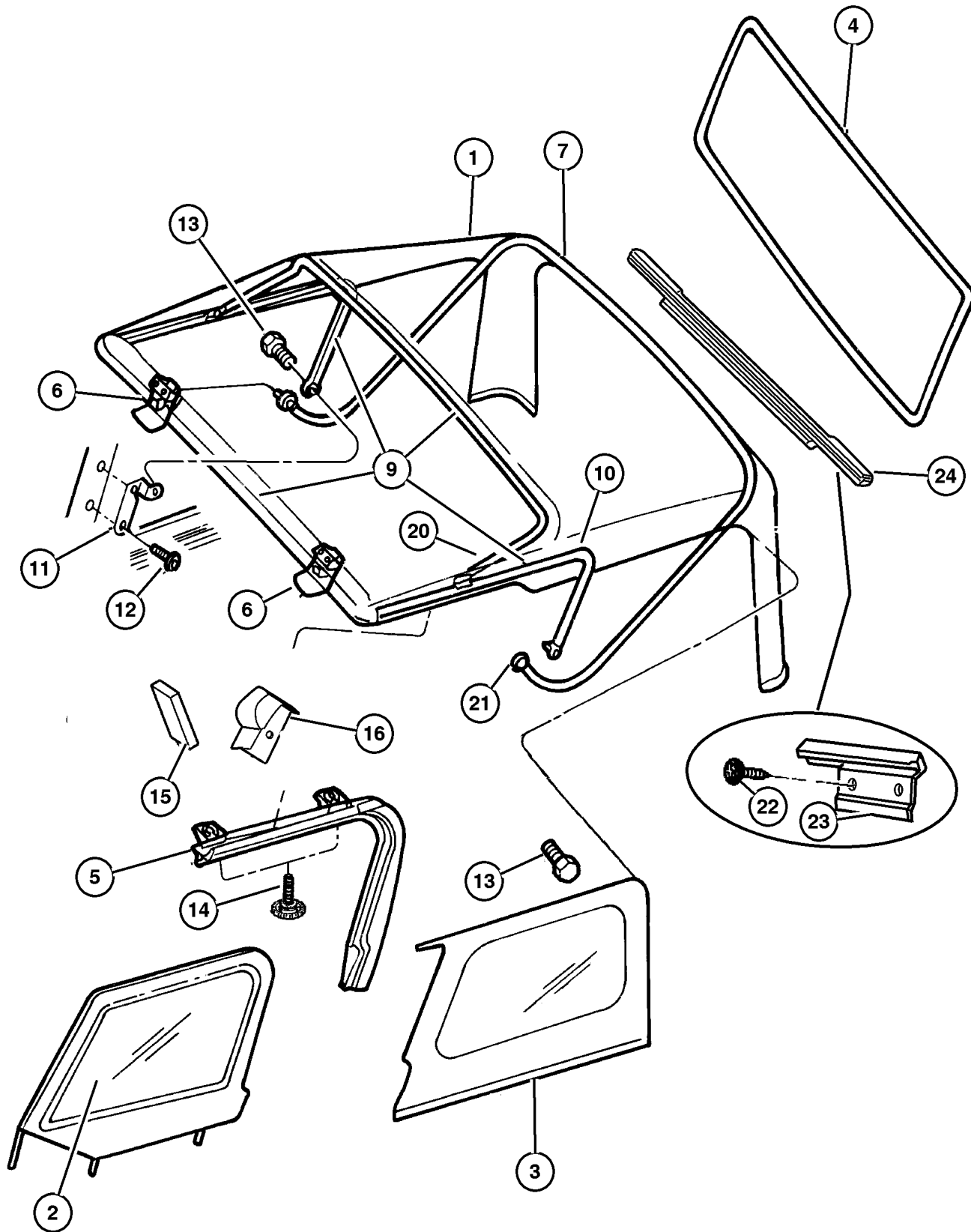
AR = Use as required - = Non illustrated part # = New this model year

September 29, 2003



Soft Top And Windows  
Figure STJ-1110

ITEM	PART NUMBER	QTY	LINE	SERIES	BODY	ENGINE	TRANS	TRIM	DESCRIPTION
15									SEAL, Door, Also Serviced in Frame
									Door Glass, (NOT SERVICED) (Not Serviced)
16	55176 722AC	1							SEAL, Header Top And Side Rail Right
	55176 723AC	1							Left
-17	5517 6444	2							STRAP, Retaining, 2 Bow to 3 Bow Connect, Replaces Webbing Includes Pan Head Washers
-18	4897 190AA	1							PULL STRAP KIT, Zipper
-19	5FZ85 BX7AB	1							BOOT, Folding Top
20	55175 813AB	2							KNUCKLE, Rear
21	55176 064AB	2							KNUCKLE, Rear
22									SCREW AND WASHER, [.164-18x.625], (NOT SERVICED) (Not Serviced)
23									CLIP, Tailgate Opening
	55176 738AA	1							Right
	55176 739AA	1							Left
24	55176 736AB	1							RETAINER, Soft Top Rail
-25	55177 245AB	1							TOOL, Wrench



JEEP WRANGLER (TJ)

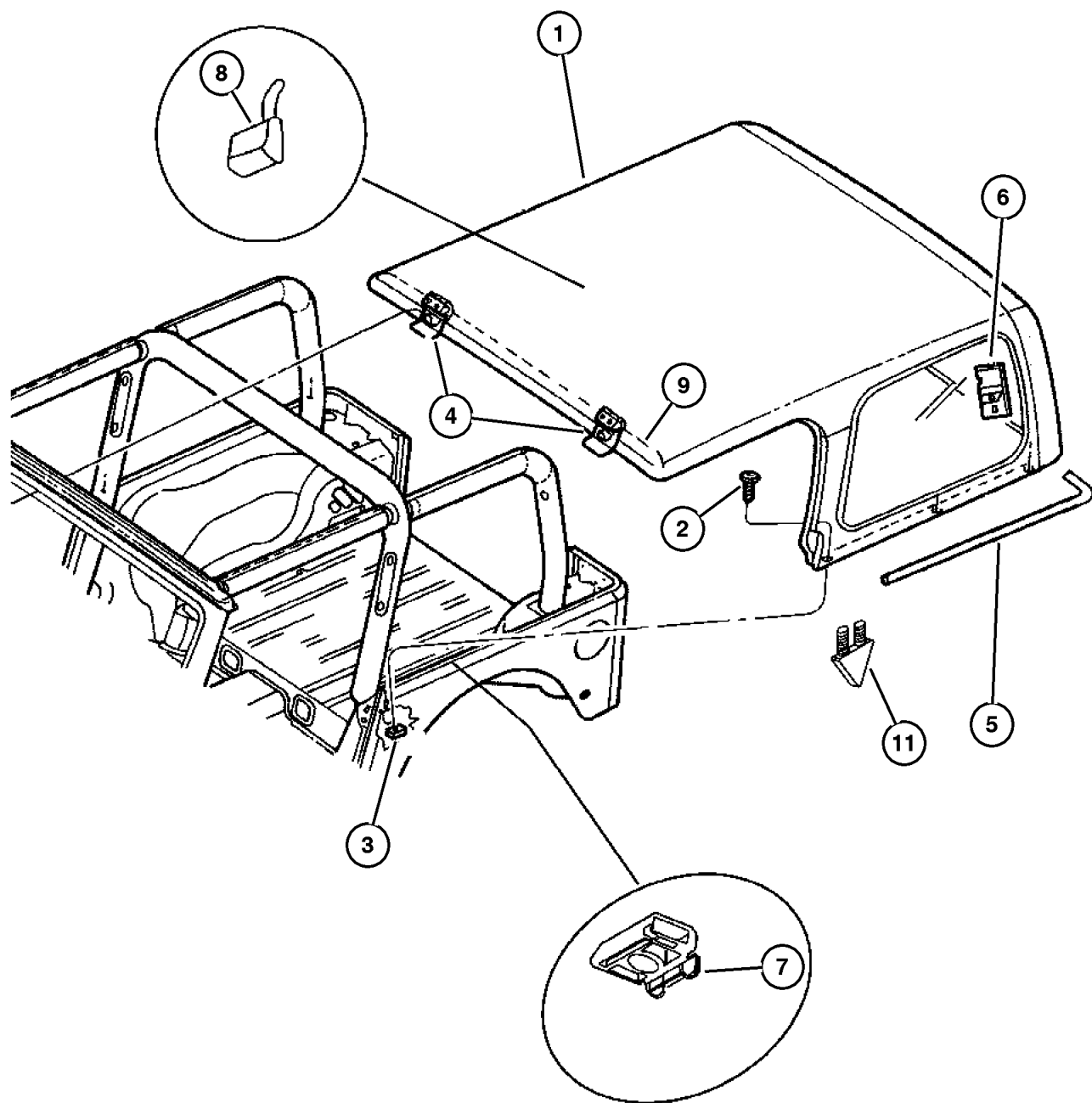
SERIES	LINE	BODY	ENGINE	TRANSMISSION
H = Sport	J = Wrangler 4WD	77 = 93.4 WB	ED1, ED0 = 2.4L DOHC	DGG, DGD = 32RH 3 Spd Auto
L = SE	U = Wrangler 4WD (RHD)		ERH = 4.0L Power Tech	DDD = 5 Speed HD Manual
M = X				DG0 = Auto. Trans.
P = Sahara				DBB = Manual Trans.
S = Rubicon				DDK = 5 Speed Manual

AR = Use as required - = Non illustrated part # = New this model year

September 29, 2003

Top Enclosure, Hard  
Figure STJ-1120

ITEM	PART NUMBER	QTY	LINE	SERIES	BODY	ENGINE	TRANS	TRIM	DESCRIPTION
1									HARDTOP, Shell Only
	#5GN27 HCXAI	1							[VKX], Black
	#5GN27 ZJ8AI	1							[VKK], Khaki
2	6506 826AA	6							SCREW
3	6506 825AA	6							NUT
4	#55175 816AC	2							LATCH AND BASE, Folding Top
5									SEAL, Enclosure To Body
	55176 372AC	1							Right
	55176 373AC	1							Left
6	#55395 146AA	1							COVER, Wiring Protector
7	55176 746AC	4							RETAINER, Folding Top Deck Closure
8	55177 489AA	1							ISOLATOR, FOAM
9	#5JB31 SWBAA	1							PANEL, Rear Header
-10	55177 245AB	1							TOOL, Wrench
11	#55395 147AA	2							PIN, Locating
-12	55177 246AA	2							SEAL, To Reinforcement Nut Plate



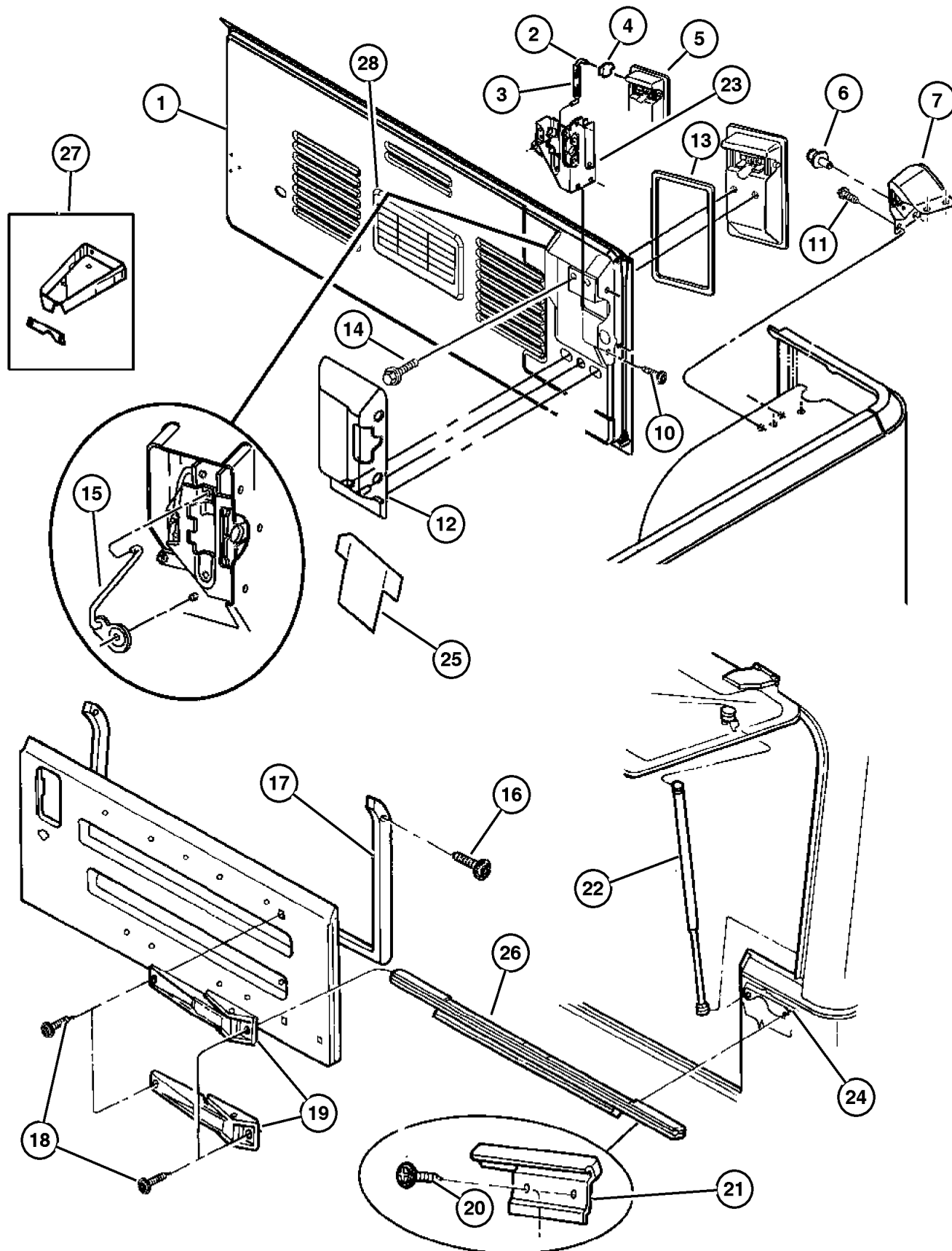
JEEP WRANGLER (TJ)

SERIES	LINE	BODY	ENGINE	TRANSMISSION
H = Sport	J = Wrangler 4WD	77 = 93.4 WB	ED1, ED0 = 2.4L DOHC	DGG, DGD = 32RH 3 Spd Auto
L = SE	U = Wrangler 4WD (RHD)		ERH = 4.0L Power Tech	DDD = 5 Speed HD Manual
M = X				DG0 = Auto. Trans.
P = Sahara				DBB = Manual Trans.
S = Rubicon				DDK = 5 Speed Manual

AR = Use as required - = Non illustrated part # = New this model year

September 29, 2003

**Tailgate**  
**Figure STJ-1310**



ITEM	PART NUMBER	QTY	LINE	SERIES	BODY	ENGINE	TRANS	TRIM	DESCRIPTION
1	#55176 340AF	1							TAILGATE
2	55008 127AB	1							ROD, Tailgate Handle to Latch
3									SLEEVE, Anti-Rattle, Handle to Latch Rod, (NOT SERVICED) (Not Serviced)
4	4658 677	1							CLIP, Latch Link
5	55176 547AB	1							HANDLE, Liftgate
6	55177 243AB	1							PIN, Latch Striker
7	55176 450AD	1							BRACKET, Tailgate Striker
-8	J400 6303	2							RIVET, Dome Head Blind, .125x.275, Serviced in Bracket
-9	5500 1286	1							PLATE, Door Lock Striker, Serviced in Bracket
10	J400 7536	2							SCREW AND WASHER, Tapping, .312-18x.120
11	6505 070AA	4							SCREW, Pan Head
12	#55395 100AA	1							COVER, Tailgate Latch
13	J374 3608	1							SEAL, Handle, Outside Door Handle
14	6034 980	2							SCREW, Pan Head, .19-24x.437
15	5507 6011	1							LINK, Key Cylinder To Latch
16									SCREW, .164-18x.625, (NOT SERVICED) (Not Serviced)
17	55175 043AF	1							WEATHERSEAL, Tailgate
18	6035 493	8							SCREW
19	5507 5567	2							HINGE, Tailgate
20									SCREW AND WASHER, [.164-18x.625], (NOT SERVICED) (Not Serviced)
21									CLIP, Tailgate Opening
	55176 738AA	1							Right
	55176 739AA	1							Left
22	55076 310AB	2							PROP, Liftgate
23	55074 947AC	1							LATCH, Tailgate
24	5517 6615	2							PLATE, Tailgate Latch
25	5502 5280	1							WATERSHIELD, Tailgate Latch
26	55176 736AB	1							RETAINER, Soft Top Rail
27	#55236 044AA	1							REINFORCEMENT, Tailgate Hinge
28	55055 998AD	1							EXHAUSTER, Bodyside Aperture

**JEEP WRANGLER (TJ)**

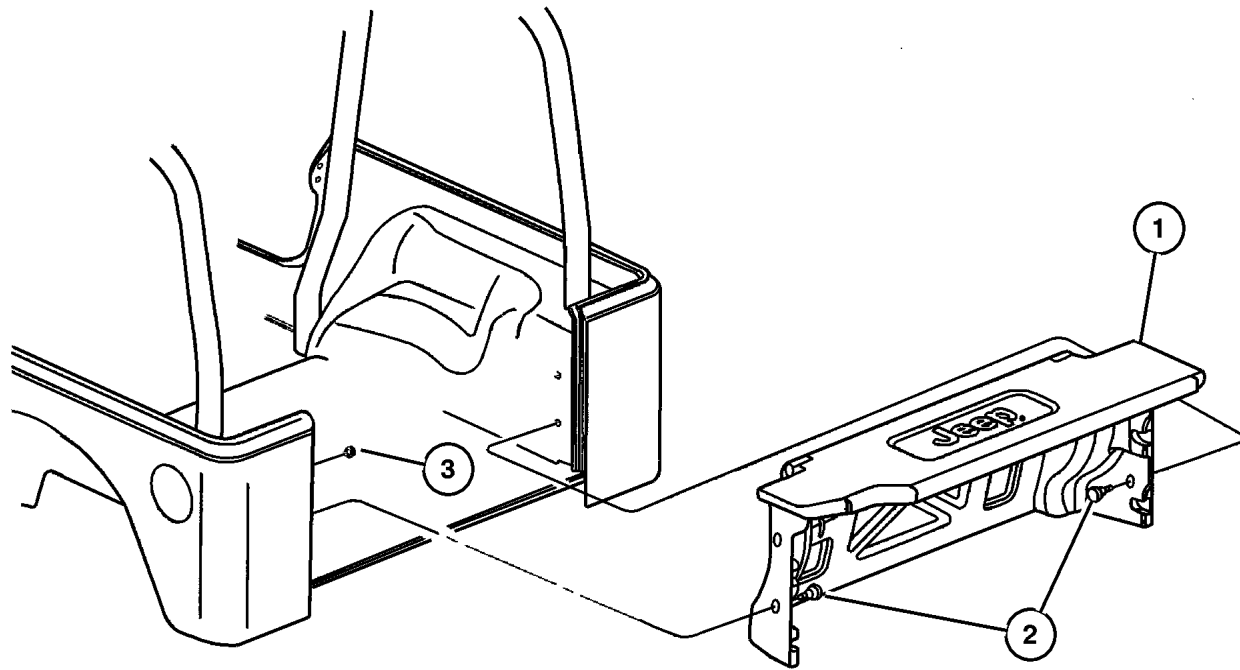
SERIES	LINE	BODY	ENGINE	TRANSMISSION
H = Sport	J = Wrangler 4WD	77 = 93.4 WB	ED1, ED0 = 2.4L DOHC	DGG, DGD = 32RH 3 Spd Auto
L = SE	U = Wrangler 4WD (RHD)		ERH = 4.0L Power Tech	DDD = 5 Speed HD Manual
M = X				DG0 = Auto. Trans.
P = Sahara				DBB = Manual Trans.
S = Rubicon				DDK = 5 Speed Manual

AR = Use as required - = Non illustrated part # = New this model year

September 29, 2003

**Add-a-Trunk  
Figure STJ-1320**

ITEM	PART NUMBER	QTY	LINE	SERIES	BODY	ENGINE	TRANS	TRIM	DESCRIPTION
1									PANEL, Add A Trunk
	5GY84 1DVAD	1							[DV]
	5GY84 1J3AD	1							[J3]
2	55352 813AA	4							KNOB
3									PLUG, (NOT SERVICED) (Not Serviced)



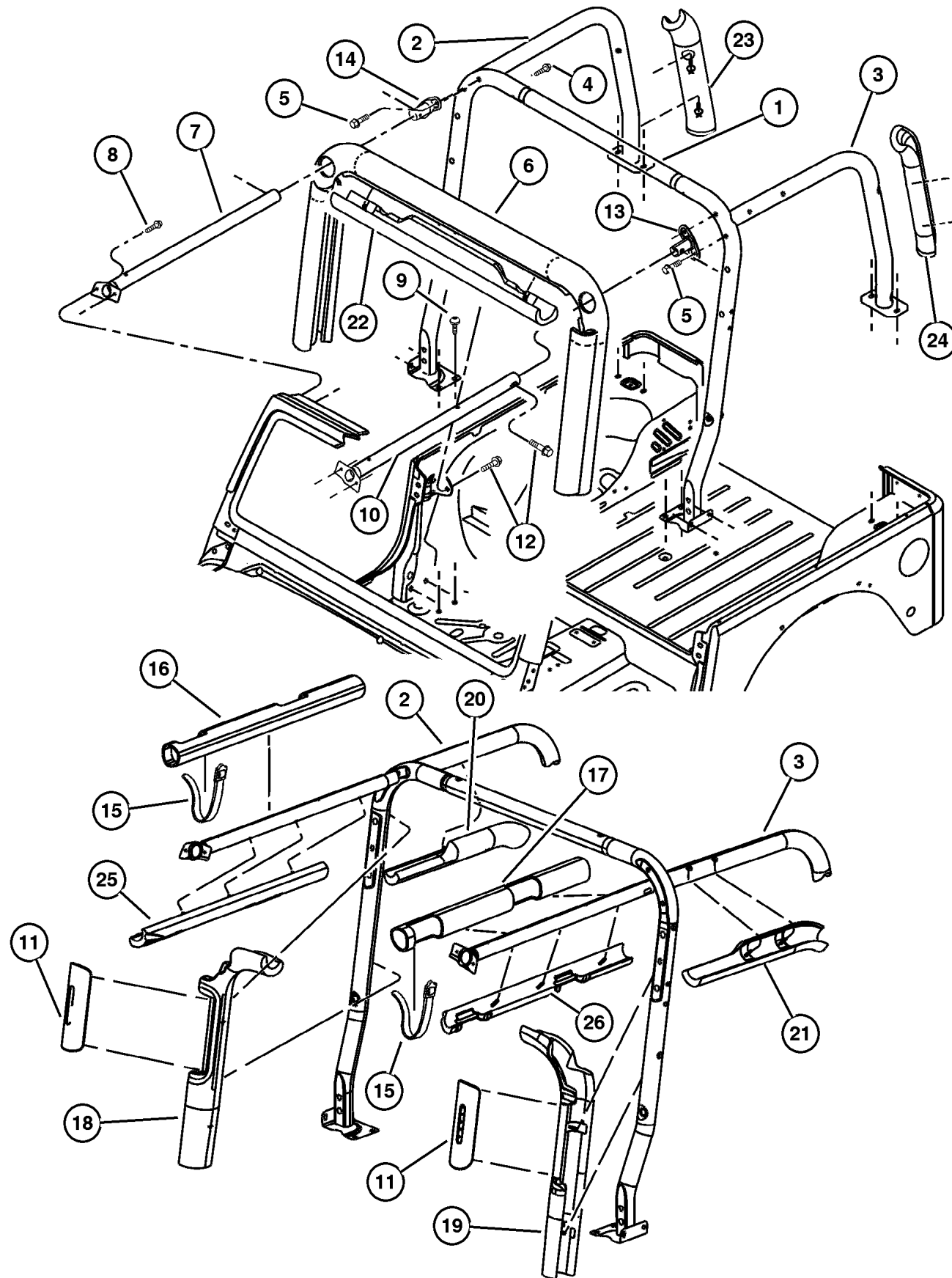
**JEEP WRANGLER (TJ)**

SERIES	LINE	BODY	ENGINE	TRANSMISSION
H = Sport	J = Wrangler 4WD	77 = 93.4 WB	ED1, ED0 = 2.4L DOHC	DGG, DGD = 32RH 3 Spd Auto
L = SE	U = Wrangler 4WD (RHD)		ERH = 4.0L Power Tech	DDD = 5 Speed HD Manual
M = X				DG0 = Auto. Trans.
P = Sahara				DBB = Manual Trans.
S = Rubicon				DDK = 5 Speed Manual

AR = Use as required - = Non illustrated part # = New this model year

September 29, 2003

**Sport Bar Wrangler  
Figure STJ-1610**



ITEM	PART NUMBER	QTY	LINE	SERIES	BODY	ENGINE	TRANS	TRIM	DESCRIPTION
1	#55176 022AC	1							BAR, Sport, Center
2	#55176 488AE	1							BAR, Sport, Right
3	#55176 489AE	1							BAR, Sport, Left
4	6035 970AA	2							SCREW, Pan Head, Side Bar to Bracket
5	#6507 373AA	4							SCREW AND WASHER
6	#5HM18 DX9AB	1							PAD, Sport Bar, Center Black
	#5HM18 ZJ3AB	1							Khaki
7	#55176 504AE	1							SIDE BAR, Sport Bar, Right
8	6504 050	4							SCREW, M8x1.25x25, Bar to Windshield
9	6035 935AA	12							SCREW AND WASHER, Bar to Floor Pan
10	#55176 505AE	1							SIDE BAR, Sport Bar, Left
11	#5HM32 DX9AA	1							COVER, Turning Loop Black, Right
	#5HM32 ZJ3AA	1							Khaki, Right
	#5HM33 DX9AA	1							Black, Left
	#5HM33 ZJ3AA	1							Khaki, Left
12	6035 970AA	2							SCREW, Pan Head
13	#55176 507AC	1							BRACKET, Side, Left
14	#55176 506AC	1							BRACKET, Side, Right
15	#55015 916AB	3							STRAP, Side Bar Hold Down
16	#5HM16 DX9AC	1							PAD, Sport Bar Black, Right
	#5HM16 ZJ3AC	1							Khaki, Right
17	#5HM17 DX9AC	1							PAD, Sport Bar Black, Left
	#5HM17 ZJ3AC	1							Khaki, Left
18	#55352 866AC	1							PAD, Sport Bar, Lower Right
19	#55352 867AC	1							PAD, Sport Bar, Lower Left
20	#55352 868AB	1							PAD, Sport Bar, Rear,Upper Right
21	#55352 869AB	1							PAD, Sport Bar, Rear,Upper Left
22	#55352 870AC	1							PAD, Sport Bar, Without Sound Bar, Center
23	#55352 872AB	1							PAD, Sport Bar, Rear Lower Right Side
24	#55352 873AB	1							PAD, Sport Bar, Rear Lower Left Side
25	#55352 874AC	1							PAD, Sport Bar, Front Right
26	#55352 875AC	1							PAD, Sport Bar, Front Left

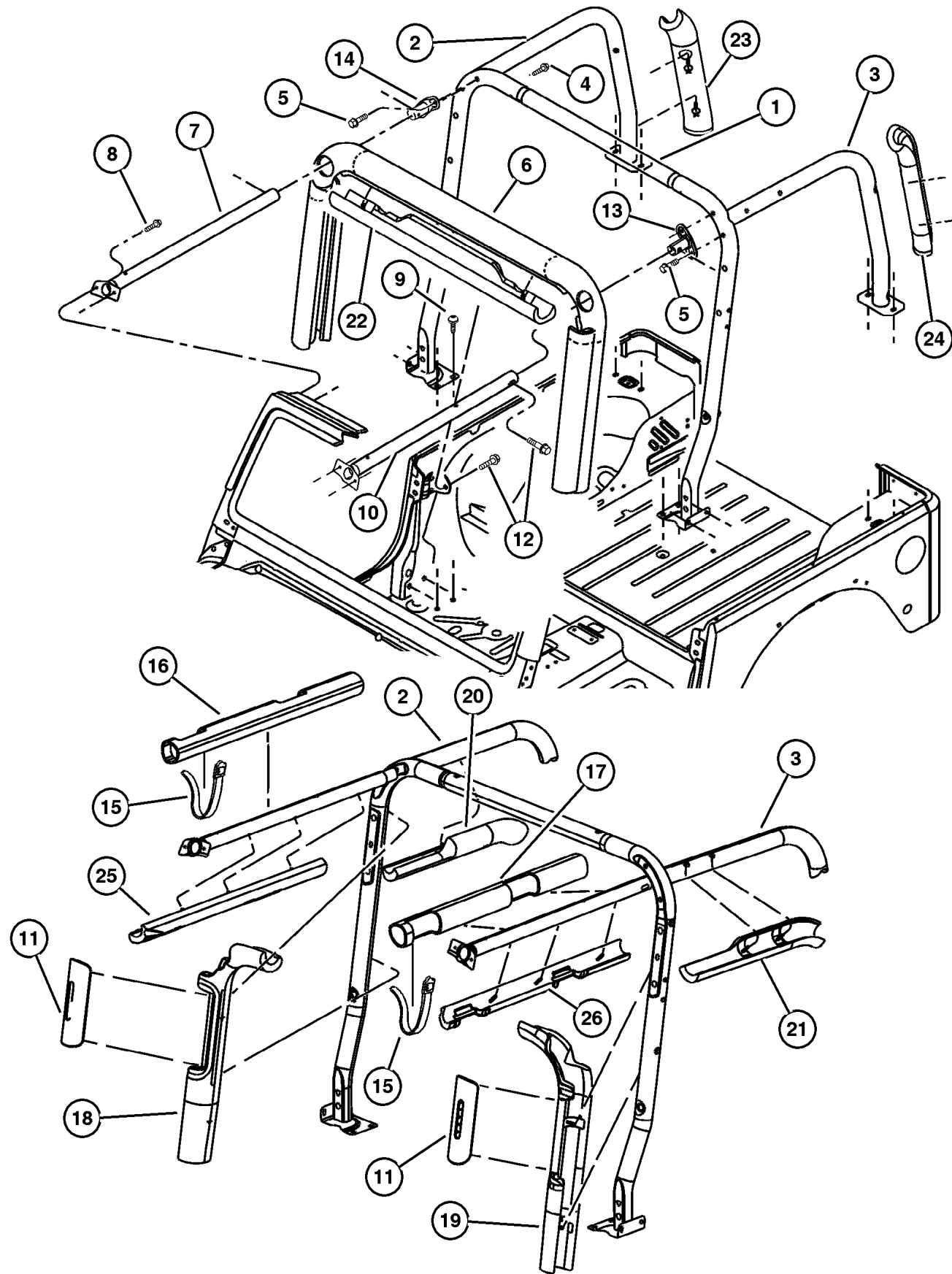
**JEEP WRANGLER (TJ)**

SERIES	LINE	BODY	ENGINE	TRANSMISSION
H = Sport	J = Wrangler 4WD	77 = 93.4 WB	ED1, ED0 = 2.4L DOHC	DGG, DGD = 32RH 3 Spd Auto
L = SE	U = Wrangler 4WD (RHD)		ERH = 4.0L Power Tech	DDD = 5 Speed HD Manual
M = X				DG0 = Auto. Trans.
P = Sahara				DBB = Manual Trans.
S = Rubicon				DDK = 5 Speed Manual

AR = Use as required - = Non illustrated part # = New this model year

September 29, 2003

**Sport Bar Wrangler  
Figure STJ-1610**



ITEM	PART NUMBER	QTY	LINE	SERIES	BODY	ENGINE	TRANS	TRIM	DESCRIPTION
------	-------------	-----	------	--------	------	--------	-------	------	-------------

-27	#55196	450AB	1						STRAP, Retaining, Rear Seat Retaining
-----	--------	-------	---	--	--	--	--	--	---------------------------------------

<b>JEEP WRANGLER (TJ)</b>				
SERIES	LINE	BODY	ENGINE	TRANSMISSION
H = Sport	J = Wrangler 4WD	77 = 93.4 WB	ED1, ED0 = 2.4L DOHC	DGG, DGD = 32RH 3 Spd Auto
L = SE	U = Wrangler 4WD (RHD)		ERH = 4.0L Power Tech	DDD = 5 Speed HD Manual
M = X				DG0 = Auto. Trans.
P = Sahara				DBB = Manual Trans.
S = Rubicon				DDK = 5 Speed Manual

AR = Use as required - = Non illustrated part # = New this model year

September 29, 2003

# Group – LBLS

## Labels All Vehicle Locations

### GROUP LBLS - Labels All Vehicle Locations

Illustration Title

Group-Fig. No.

#### Interior

Instrument Panel, Visors and Trim ..... Fig. LBLS-110

#### Under Hood

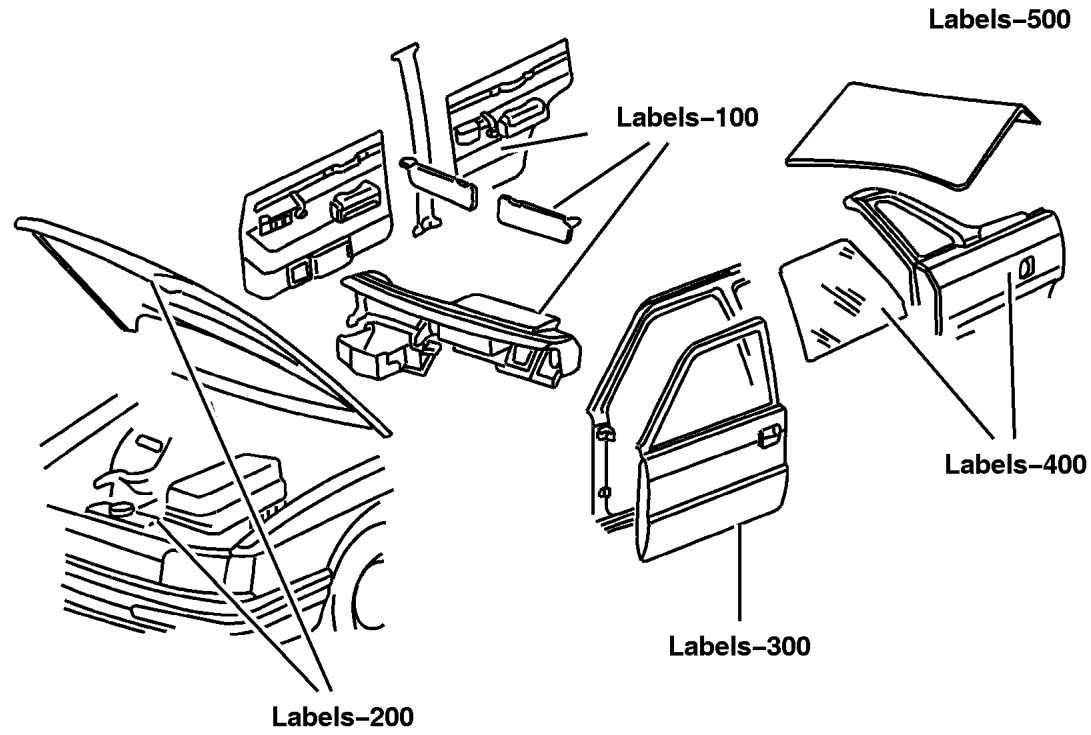
Engine Compartment ..... Fig. LBLS-210

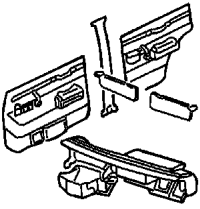


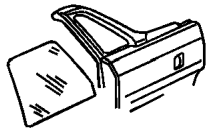
#### Doors

Doors and Pillars ..... Fig. LBLS-310

#### Exterior

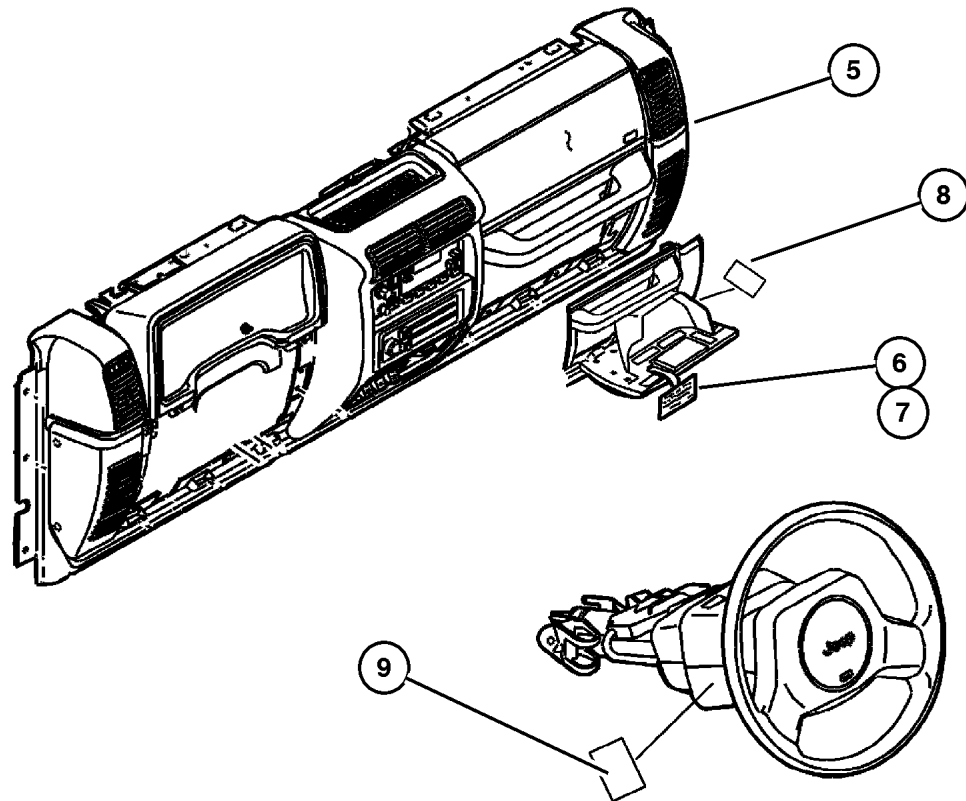
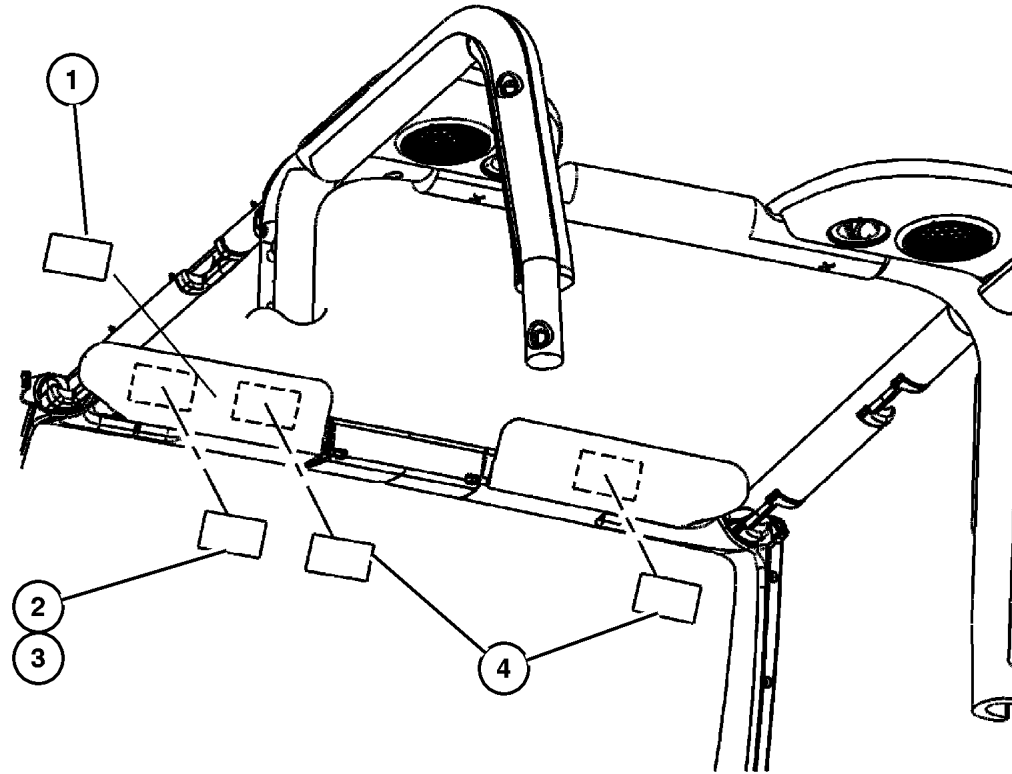
Spare Tire ..... Fig. LBLS-410



<p><b>LBLS-100</b> Interior</p> 	<p><b>LBLS-200</b> Under Hood</p> 	<p><b>LBLS-300</b> Doors</p> 	<p><b>LBLS-400</b> Exterior</p> 
---	---	--	---



Instrument Panel, Visors and Trim  
Figure LBL5-110



ITEM	PART NUMBER	QTY	LINE	SERIES	BODY	ENGINE	TRANS	TRIM	DESCRIPTION
1	4851 415AA	2							LABEL, Air Bag Warning, Spanish, Visor Down
2	55352 825AA	1							LABEL, Visor Warning, Rollover Risk, English-French
3	#53015 958AA	1							LABEL, Rollover Risk, English-Arabic
4	5023 548AA	2							LABEL, Air Bag Warning English-Arabic
	55315 001AA	1							Floor Console Passenger Airbag Cut Off Switch (Canada)
5	4680 556AA	1							DECAL, Seat Belt Safety, End Cap
6	4595 748AA	1							LABEL, Air Bag Warning English-French
	4595 749AA	1							English-French
7	4851 416AA	1							LABEL, Air Bag Warning, Spanish, Glove Box
8	#56009 391AL	1							LABEL, Fuse Block
9	55314 966AB	1							LABEL, Airbag, European Equipment, Back of Air Bag

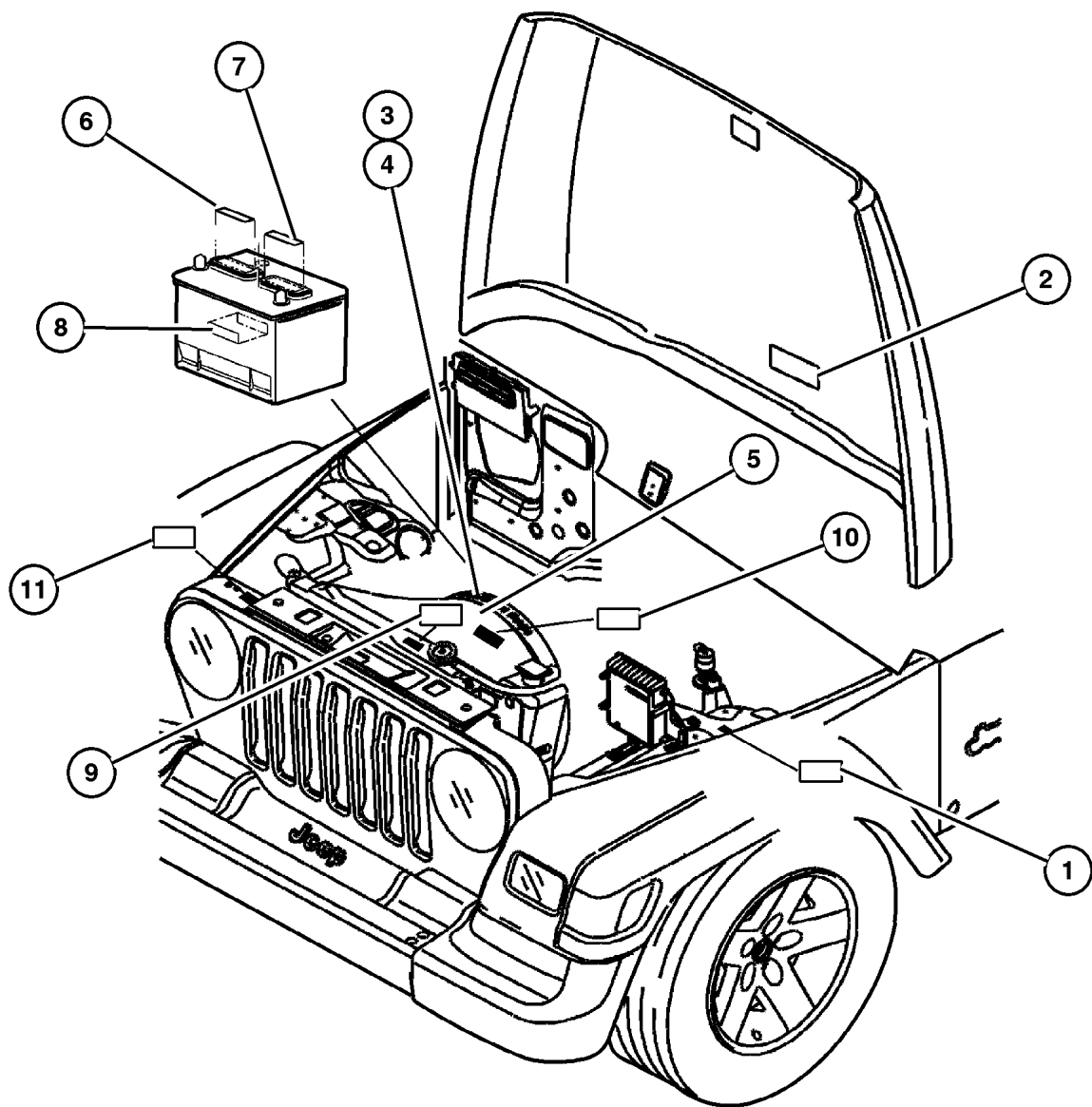
JEEP WRANGLER (TJ)

SERIES	LINE	BODY	ENGINE	TRANSMISSION
H = Sport	J = Wrangler 4WD	77 = 93.4 WB	ED1, ED0 = 2.4L DOHC	DGG, DGD = 32RH 3 Spd Auto
L = SE	U = Wrangler 4WD (RHD)		ERH = 4.0L Power Tech	DDD = 5 Speed HD Manual
M = X				DG0 = Auto. Trans.
P = Sahara				DBB = Manual Trans.
S = Rubicon				DDK = 5 Speed Manual

AR = Use as required - = Non illustrated part # = New this model year

September 29, 2003

**Engine Compartment  
Figure LBL5-210**



ITEM	PART NUMBER	QTY	LINE	SERIES	BODY	ENGINE	TRANS	TRIM	DESCRIPTION
1	#52059 646AA	1				ED0			LABEL, Emission, 2.4L Engine, Export
2									LABEL, Emission
	#52059 643AA	1				ED0			2.4L Engine, Federal
	#52059 644AA	1				ER0			4.0L Engine, Federal
	#52059 647AA	1				ER0			4.0L Engine, Export
3	5031 287AA	1							LABEL, Fan Caution
4									LABEL, Warning
	#55037 665AA	1				ED0			2.4L Engine
	#55037 666AA	1							Canadian
	#55037 667AA	1							Middle Eastern
5	5503 7349	1							LABEL, Air Conditioning System
6	5604 1046	1							LABEL, Battery, Canadian
7	5604 1047	1							LABEL, Battery Jump Start, Canadian
8	4793 062	1				ED0, ER0			LABEL, Battery, European
9									LABEL, Belt Routing
	53031 758AA	1				ED0			2.4L Engine
	53031 700AB	1				ER0			4.0L Engine
10									LABEL, Refrigerant
	#55037 555AC	1							Middle Eastern
	#55037 689AA	1							Canadian
	#55037 690AA	1							Spanish
	#5032 907AA	1							
11	5263 188	1							LABEL, Headlamp Leveling

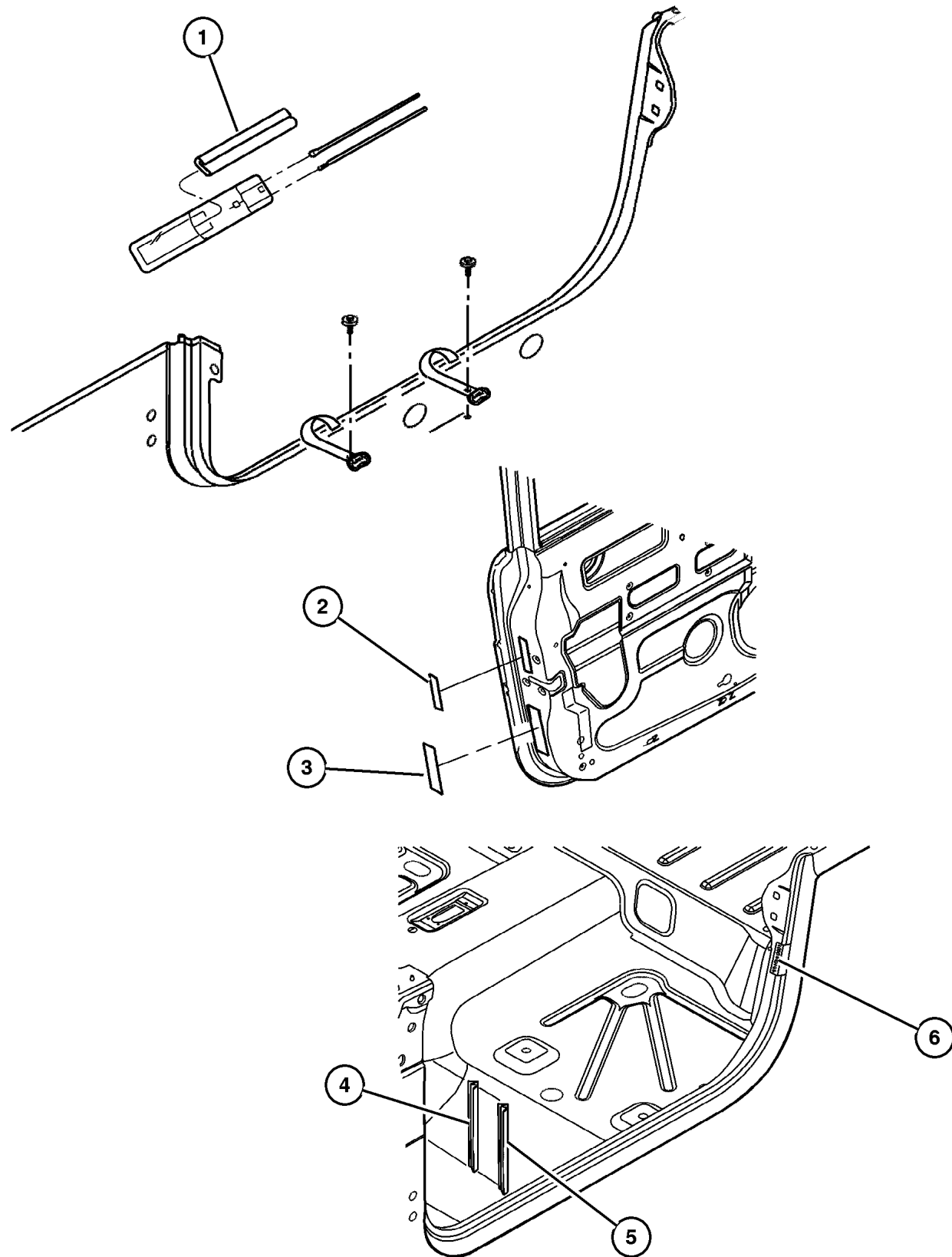
**JEEP WRANGLER (TJ)**

SERIES	LINE	BODY	ENGINE	TRANSMISSION
H = Sport	J = Wrangler 4WD	77 = 93.4 WB	ED1, ED0 = 2.4L DOHC	DGG, DGD = 32RH 3 Spd Auto
L = SE	U = Wrangler 4WD (RHD)		ERH = 4.0L Power Tech	DDD = 5 Speed HD Manual
M = X				DG0 = Auto. Trans.
P = Sahara				DBB = Manual Trans.
S = Rubicon				DDK = 5 Speed Manual

AR = Use as required - = Non illustrated part # = New this model year

September 29, 2003

Doors and Pillars  
Figure LBL5-310



ITEM	PART NUMBER	QTY	LINE	SERIES	BODY	ENGINE	TRANS	TRIM	DESCRIPTION
1									LABEL, Jack Instructions
	4853 461AB	1							Spanish
	52059 029AC	1							English-French
2	#5271 244AA	1							LABEL, Tire Pressure, Spanish
3									LABEL, Export, (NOT SERVICED) (Not Serviced)
4									LABEL, Certification, (NOT SERVICED) (Not Serviced)
5									OVERLAY, Vehicle Certification
	5300 7524	1							
	4040 858	1							Canada
6	55363 274AA	1							LABEL, Mercury Warning

JEEP WRANGLER (TJ)

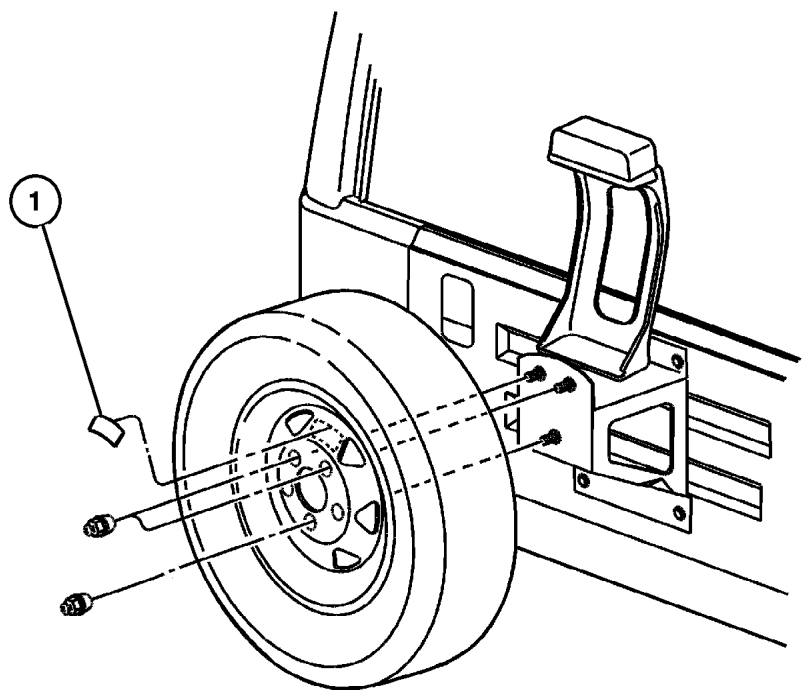
SERIES	LINE	BODY	ENGINE	TRANSMISSION
H = Sport	J = Wrangler 4WD	77 = 93.4 WB	ED1, ED0 = 2.4L DOHC	DGG, DGD = 32RH 3 Spd Auto
L = SE	U = Wrangler 4WD (RHD)		ERH = 4.0L Power Tech	DDD = 5 Speed HD Manual
M = X				DG0 = Auto. Trans.
P = Sahara				DBB = Manual Trans.
S = Rubicon				DDK = 5 Speed Manual

AR = Use as required - = Non illustrated part # = New this model year

September 29, 2003

**Spare Tire  
Figure LBL5-410**

ITEM	PART NUMBER	QTY	LINE	SERIES	BODY	ENGINE	TRANS	TRIM	DESCRIPTION
1	52128 585AA	1							LABEL, Temporary Spare Tire Warning



**JEEP WRANGLER (TJ)**

SERIES	LINE	BODY	ENGINE	TRANSMISSION
H = Sport	J = Wrangler 4WD	77 = 93.4 WB	ED1, ED0 = 2.4L DOHC	DGG, DGD = 32RH 3 Spd Auto
L = SE	U = Wrangler 4WD (RHD)		ERH = 4.0L Power Tech	DDD = 5 Speed HD Manual
M = X				DG0 = Auto. Trans.
P = Sahara				DBB = Manual Trans.
S = Rubicon				DDK = 5 Speed Manual

AR = Use as required - = Non illustrated part # = New this model year